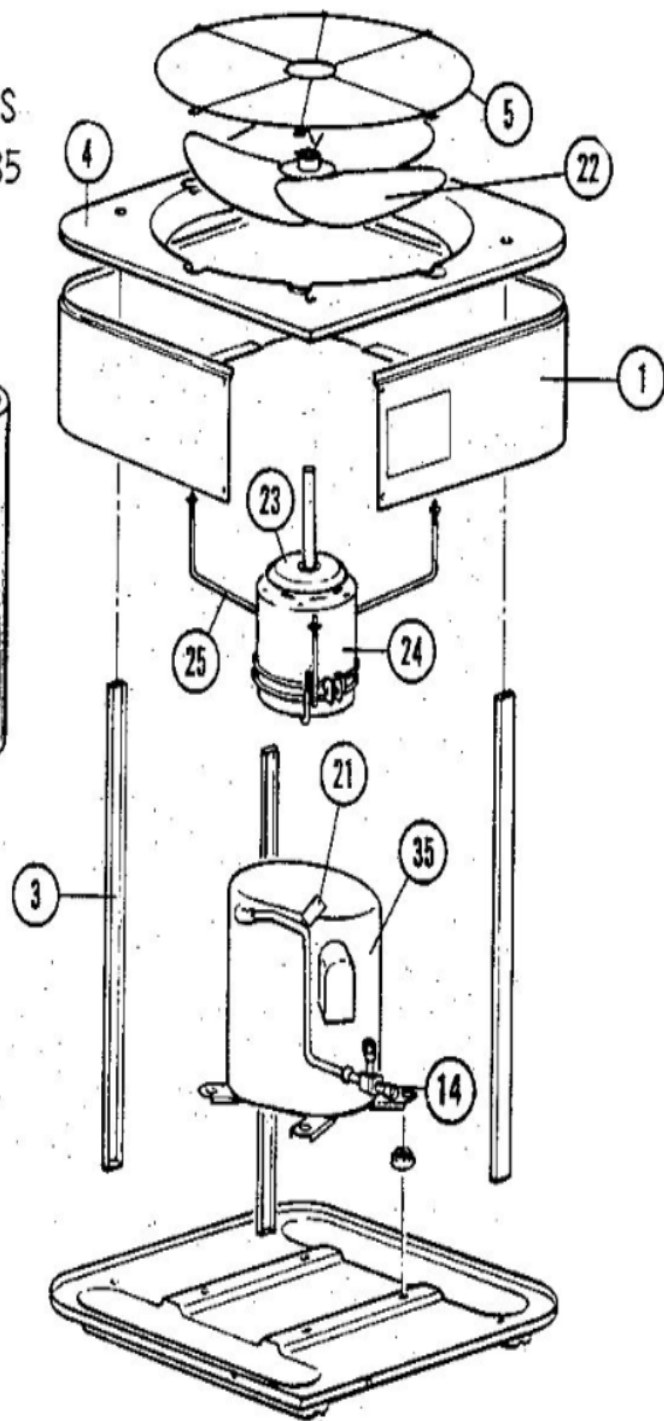
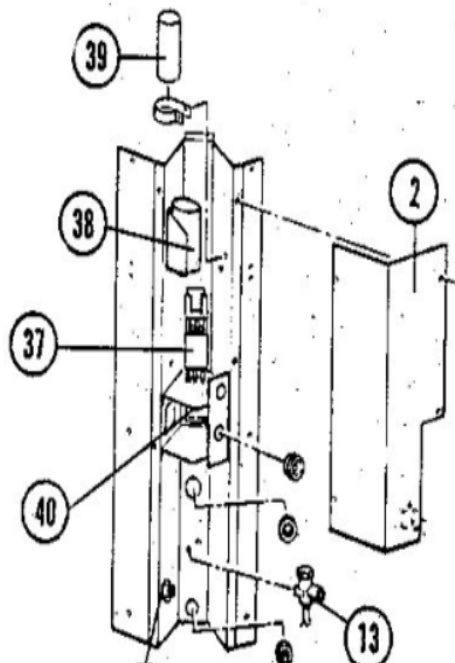
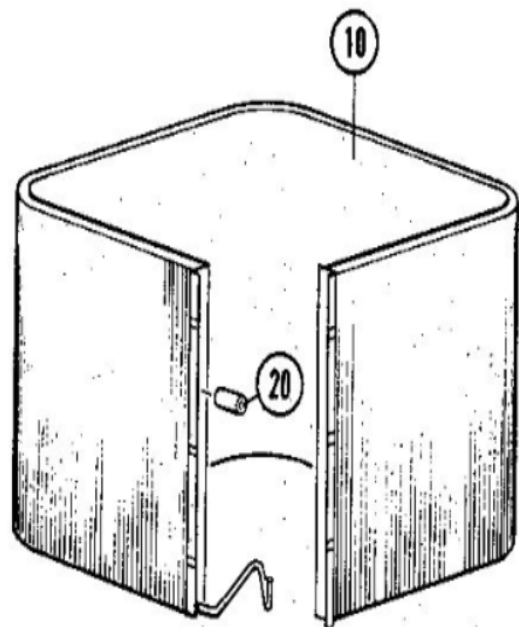


HS18 SERIES
JUNE 11, 1985



Revision Number - 3

*OPTIONAL PARTS-FIELD INSTALLED

Callout	Name	Quantity	Description
	TEE Cat #: 87071 Model/Part #: P-8-10569	1	SCHRADER DEPRESSOR
	NUT Cat #: 59498 Model/Part #: P-8-1218	2	FLARE
	CAP-SEAL Cat #: 58114 Model/Part #: P-8-3187	1	CAP, BRASS
	FITTING Cat #: 59784 Model/Part #: P-8-4934	1	STRAIN RELIEF
	SWITCH-LO PRESS Cat #: 68493 Model/Part #: P-8-6383	1	"IN 285PSIG,OUT 140PSIG"
LB KIT	LOW AMBIENT KIT Cat #: 24H77 Model/Part #: LB-57113BC	1	LOW AMBIENT KIT

CABINET PARTS

Callout	Name	Quantity	Description
	GUARD-OUTDOOR COIL Cat #: 25F00 Model/Part #: 25F0001	1	GUARD-COND COIL FLAT
1	PANEL Cat #: 83F46 Model/Part #: LB-51049A	1	TOP WRAPPER(3PH- 60HZ & INTL UNITS-LIGHT)
1	PANEL Cat #: 51J51 Model/Part #: LB-85799	1	TOP WRAPPER(DARK)
2	COVER-CONTROL BOX Cat #: 88F08 Model/Part #: LB-50738C	1	(3PH-60HZ & INTL UNITS)
3	SUPPORT-COIL Cat #: 13G26 Model/Part #: LB-48471C	3	SUPT-COIL
4	PANEL-TOP Cat #: 66F77 Model/Part #: LB-51050A	1	(LIGHT)

Callout	Name	Quantity	Description
4	PANEL-TOP Cat #: 51J42 Model/Part #: LB-85797	1	(DARK)
5	GUARD-FAN Cat #: 96C33 Model/Part #: 96C3301	1	GRILL

CONTROL PANEL PARTS

Callout	Name	Quantity	Description
	BUSHING-SNAP Cat #: 86065 Model/Part #: P-8-7102	1	"1/2""ID FOR 7/8"" OPENING"
37	CONTACTOR Cat #: 38393 Model/Part #: P-8-7736	1	"3PDT,24V(3PH UNITS)"
38	CAPACITOR-FAN MTR Cat #: 53H02 Model/Part #: 81A3801	1	"5MFD,370VAC(3PH UNITS)"
38	CAPACITOR Cat #: 81A39 Model/Part #: 81A3901	1	"7MFD,370VAC(460V,3PH UNITS)"
40	CONTROL-TIMED OFF Cat #: 32F21 Model/Part #: LB-50709BA	1	(OPTIONAL)

CONTROL PANEL PARTS (INTERNATIONAL ONLY)

Callout	Name	Quantity	Description
52	CAPACITOR-FAN MTR Cat #: 53H02 Model/Part #: 81A3801	1	"5MFD,370VAC(3PH UNITS)"
54	BLOCK-TERMINAL Cat #: LB-48709D Model/Part #: LB-48709D	1	FAB HI- VOLTTERMSTRIP
56	BLOCK-TERMINAL Cat #: 88C67 Model/Part #: 88C6701	1	STRIP, TERMINAL
60	CONTACTOR Cat #: 38393 Model/Part #: P-8-7736	1	"3PDT,24V(3PH UNITS)"

COOLING PARTS

Callout	Name	Quantity	Description
	RELAY-OVERLOADCOMP-INTERNAL Cat #: Model/Part #:	1	
	DRIER Cat #: 12L71 Model/Part #: 12L7101	1	LIQUID LINE(OPT)
	O-RING Cat #: 13B49 Model/Part #: 13B4901PR	1	"FOR 3/8"" SERVICE VALVE"
	CAP Cat #: 18G79 Model/Part #: 18G7901	1	END-FOR SERVICE VALVE
	RESTRICTOR-ORIFICE Cat #: 26F20 Model/Part #: 26F2001	1	(RFC II-60HZ ONLY)
	INSERT Cat #: 28C65 Model/Part #: 28C6501	1	(OPTIONAL)
	FERRULE REPL PKG Cat #: 42C38 Model/Part #: 42C3801PR	1	(OPTIONAL)
	FERRULE REPL PKG Cat #: 45C71 Model/Part #: 45C7101PR	1	(OPTIONAL)
	MOUNT PKG-COMP Cat #: 49A67 Model/Part #: 49A7001PR	1	49A7001PR COMP MT PK
	UNION Cat #: 51A69 Model/Part #: 51A6901	1	(OPTIONAL)
	UNION Cat #: 51A71 Model/Part #: 51A7101	1	(OPTIONAL)
	DRIER Cat #: 58A63 Model/Part #: 58A6301	1	SUCTION LINE
	FITTING-PRESS TAP Cat #: 60F11 Model/Part #: 60F1101	1	FOR HI PRESS SWITCH(3PH-60HZ & INTL UNIT
	BUSHING-SNAP Cat #: 62A32 Model/Part #: 62A3201	1	"1""ID FOR 1-3/8""OPENING (3PH-60HZ & IN
	GROMMET Cat #: LB-51460DA Model/Part #: LB-51460DA	1	KIT-FOR COMP SOUND REDUCTION
	DISTRIBUTOR	1	DISCHARGE LINE

Callout	Name	Quantity	Description
	Cat #: 87258 Model/Part #: P-8-10820		
	DISTRIBUTOR Cat #: 87266 Model/Part #: P-8-10979	1	DISCHARGE LINE(INTL ONLY)
	CAP-SEAL Cat #: 66817 Model/Part #: P-8-1401	1	FOR LOW PRESS SWITCH
	VALVE CORE Cat #: 66820 Model/Part #: P-8-1897	1	"FOR 3/8"" SERVICE VALVE"
	CAP-SEAL Cat #: 58114 Model/Part #: P-8-3187	1	"FOR 3/8"" SERVICE VALVE"
	GROMMET Cat #: 66287 Model/Part #: P-8-526	1	"3/8""ID FOR 5/8""OPENING(60HZ ONLY)"
10	COIL-OUTDOOR Cat #: LB-49573AG Model/Part #: LB-49573AG	1	(3PH-60HZ & INTL UNITS)
13	VALVE-SERVICE Cat #: 50F72 Model/Part #: 50F7201	1	"LIQUID LINE,3/8""(OPTIONAL)"
13	VALVE-SERVICE Cat #: 64C67 Model/Part #: 64C6701	1	"LIQUID LINE,3/8""
14	VALVE-SERVICE Cat #: 38F33 Model/Part #: 38F3301	1	"SUCTION LINE,3/4""(INTL ONLY)"
14	VALVE-SERVICE Cat #: 96C65 Model/Part #: 96C6501	1	"SUCTION LINE,5/8""
20	SWITCH-HI PRESS Cat #: 44A97 Model/Part #: 96C2001	1	CUTOUT 410PSIG
21	SWITCH-LO PRESS Cat #: 87265 Model/Part #: P-8-10978	1	"CUTIN 55PSIG,CUTOUT 25PSIG (INTL ONLY,E
22	FAN Cat #: 95C59 Model/Part #: 95C5901	1	"1/2"" BORE,18"" DIA,4 BLADE"
23	SHIELD-RAIN Cat #: 32621 Model/Part #: P-8-6142	1	SHIELD, MOTOR
24	MOTOR-FAN Cat #: 47F99 Model/Part #: 47F9901	1	"1/6HP,1075RPM,208-230/60/1"

Callout	Name	Quantity	Description
24	MOTOR-FAN Cat #: 87268 Model/Part #: P-8-11026	1	"1/4HP,1075RPM,460/60/1 (3PH UNITS)"
25	BRACKET-MTR MTG Cat #: 96C31 Model/Part #: 96C3101	1	MOUNT-MOTOR
35	COMPRESSOR Cat #: 14K46 Model/Part #: 19F5501	1	"3TON,208- 230/60/3,TEC"
35	COMPRESSOR Cat #: 41K44 Model/Part #: 31F4601	1	"3TON,208- 230/60/3,TEC(OPT)"
35	COMPRESSOR Cat #: 41F59 Model/Part #: 41F5901	1	"3TON,380-420/50/3,TEC (INTL ONLY)"
35	COMPRESSOR Cat #: 64F74 Model/Part #: 64F7401	1	"3TON,460/60/3,TEC"

Note:

Note1: SEE EXPANSION VALVE CHART ON CRL CARD. Note2: SEE FIELD REPLACEMENT CRANKCASE HEATER CHART ON CRL CARD.