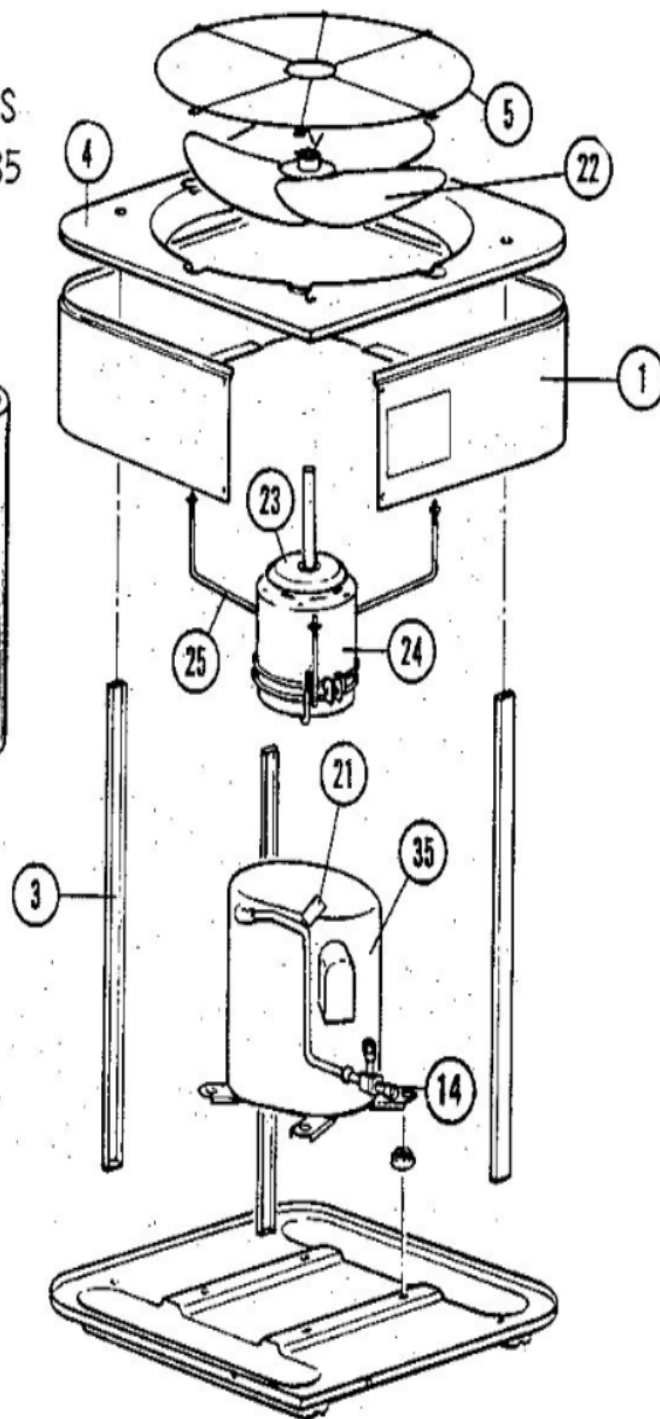
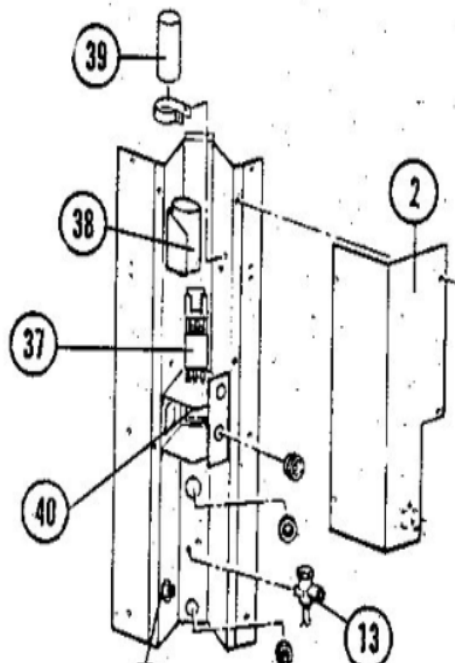
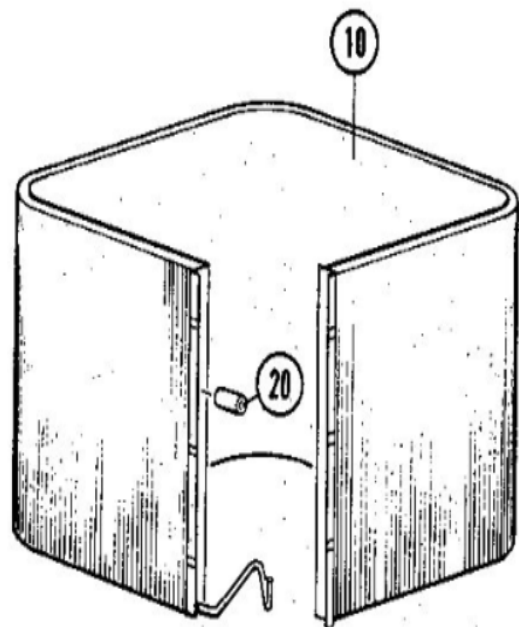


HS18 SERIES
JUNE 11, 1985



Revision Number - 6

*OPTIONAL PARTS-FIELD INSTALLED

Callout	Name	Quantity	Description
	TEE Cat #: 87071 Model/Part #: P-8-10569	1	SCHRADER DEPRESSOR
	NUT Cat #: 59498 Model/Part #: P-8-1218	2	NUT, FLARE 1/4
	CAP-SEAL Cat #: 58114 Model/Part #: P-8-3187	1	CAP, BRASS
	FITTING Cat #: 59784 Model/Part #: P-8-4934	1	STRAIN RELIEF
	SWITCH-LO PRESS Cat #: 68493 Model/Part #: P-8-6383	1	"IN 285PSIG,OUT 140PSIG"
LB KIT	LOW AMBIENT KIT Cat #: 24H77 Model/Part #: LB-57113BC	1	LOW AMBIENT KIT

CABINET PARTS

Callout	Name	Quantity	Description
	GUARD-OUTDOOR COIL Cat #: 25F00 Model/Part #: 25F0001	1	GUARD-COND COIL FLAT
	PANEL-TOP Cat #: 37F96 Model/Part #: LB-51050AA	1	PANEL- TOP(CAN)
	SUPPORT-COIL Cat #: 80G85 Model/Part #: LB-54413D	1	COIL SUPPORT(CAN)
	BUSHING-SNAP Cat #: 86065 Model/Part #: P-8-7102	1	BUSHING- SNAP(CAN)
	COVER-CONTROL BOX Cat #: TC-26270 Model/Part #: TC-26270	1	COVER- CONTROL BOX(CAN)
	PANEL-TOP WRAPPER Cat #: TC-30337 Model/Part #: TC-30337	1	PANEL-TOP WRAPPER(CAN)
	GUARD-OUTDOOR COIL	1	GUARD-

Callout	Name	Quantity	Description
	Cat #: 20H13 Model/Part #: TC-30340-2		OUTDOOR COIL(CAN)
	SUPPORT-COIL Cat #: TC-30357-1 Model/Part #: TC-30357-1	1	SUPPORT- COIL(CAN)
	COVER-CONTROL BOX Cat #: 20H29 Model/Part #: TC-31918	1	COVER- CONTROL BOX(CAN)
1	PANEL Cat #: 83F46 Model/Part #: LB-51049A	1	TOP WRAPPER(LIGHT)
1	PANEL Cat #: 51J51 Model/Part #: LB-85799	1	TOP WRAPPER(DARK)
2	COVER-CONTROL BOX Cat #: 88F08 Model/Part #: LB-50738C	1	COVER CONTROL BOX
3	SUPPORT-COIL Cat #: 13G26 Model/Part #: LB-48471C	3	SUPT-COIL
4	PANEL-TOP Cat #: 66F77 Model/Part #: LB-51050A	1	(LIGHT)
4	PANEL-TOP Cat #: 51J42 Model/Part #: LB-85797	1	(DARK)
5	GUARD-FAN Cat #: 96C33 Model/Part #: 96C3301	1	GRILL

CONTROL PANEL PARTS

Callout	Name	Quantity	Description
	CAPACITOR-FAN&RUN Cat #: 53H25 Model/Part #: 53H25	1	20 + 5 MFD 370 VAC(CAN)
	GROMMET Cat #: 66858 Model/Part #: P-8-1070	1	GROMMET, 1-1/8" ID X 1-1/2" OD(CAN)
	CAPACITOR-START Cat #: 58326 Model/Part #: P-8-3576	1	"108MFD,250VAC"
	RELAY-POTENTIAL Cat #: 58327 Model/Part #: P-8-3577	1	"SP,N.C.,480V"

Callout	Name	Quantity	Description
	CLIP Cat #: P-8-5720 Model/Part #: P-8-5720	1	CLIP(CAN)
	BUSHING-SNAP Cat #: 86065 Model/Part #: P-8-7102	1	"1/2""ID FOR 7/8"" OPENING"
	CUTOOUT LOW AMBIENT Cat #: 45F08 Model/Part #: T6-1469	1	THERM SENSNG(CAN)
37	CONTACTOR Cat #: 65C69 Model/Part #: 65C6901	1	"SPST,24V(1PH UNITS)"
38	CAPACITOR-FAN&RUN Cat #: 46F45 Model/Part #: 46F4501	1	"40+5MFD,370VAC"
40	CONTROL-TIMED OFF Cat #: 32F21 Model/Part #: LB-50709BA	1	(OPTIONAL)

CONTROL PANEL PARTS (INTERNATIONAL ONLY)

Callout	Name	Quantity	Description
51	CAPACITOR-FAN&RUN Cat #: 68F71 Model/Part #: 68F7101	1	"35+5MFD,440VAC(1PH ONLY)"
54	BLOCK-TERMINAL Cat #: LB-48709D Model/Part #: LB-48709D	1	FAB HI- VOLTTERMSTRIP
56	BLOCK-TERMINAL Cat #: 88C67 Model/Part #: 88C6701	1	STRIP, TERMINAL
60	CONTACTOR Cat #: 66441 Model/Part #: P-8-9549	1	"DPDT,24V(1PH UNITS)"

COOLING PARTS

Callout	Name	Quantity	Description
	VALVE-EXPANSION(FOOTNOTE 1) Cat #: Model/Part #:	1	
	DRIER Cat #: 12L71 Model/Part #: 12L7101	1	LIQUID LINE(OPT)
	CAP Cat #: 18G79 Model/Part #: 18G7901	1	END-FOR SERVICE VALVE

Callout	Name	Quantity	Description
	COMPRESSOR Cat #: 25F39 Model/Part #: 25F3901	1	"3TON,208-230/60/1,TEC(OPT)"
	RESTRICTOR-ORIFICE Cat #: 26F20 Model/Part #: 26F2001	1	(RFC II-60HZ ONLY)
	INSERT Cat #: 28C65 Model/Part #: 28C6501	1	(OPTIONAL)
	FERRULE REPL PKG Cat #: 42C38 Model/Part #: 42C3801PR	1	(OPTIONAL)
	SWITCH-HI PRESS Cat #: 44A97 Model/Part #: 44A9701	1	SWITCH-HI PRESSURE(CAN)
	FERRULE REPL PKG Cat #: 45C71 Model/Part #: 45C7101PR	1	(OPTIONAL)
	MOUNT PKG-COMP Cat #: 49A67 Model/Part #: 49A7001PR	1	49A7001PR COMP MT PK
	UNION Cat #: 51A69 Model/Part #: 51A6901	1	(OPTIONAL)
	UNION Cat #: 51A71 Model/Part #: 51A7101	1	(OPTIONAL)
	DRIER Cat #: 58A63 Model/Part #: 58A6301	1	SUCTION LINE
	FITTING-PRESS TAP Cat #: 60F11 Model/Part #: 60F1101	1	FOR HI PRESS SWITCH
	BUSHING-SNAP Cat #: 62A32 Model/Part #: 62A3201	1	"1""ID FOR 1-1/8""OPENING"
	DRIER Cat #: 69H06 Model/Part #: 69H0601	1	DRIER(CAN)
	DISTRIBUTOR Cat #: 87258 Model/Part #: P-8-10820	1	DISCHARGE LINE
	CAP-SEAL Cat #: 66817 Model/Part #: P-8-1401	1	FOR LOW PRESS SWITCH
	VALVE CORE Cat #: 66820 Model/Part #: P-8-1897	1	FOR SUCTION VALVE
	CAP-SEAL	1	CAP, BRASS

Callout	Name	Quantity	Description
	Cat #: 58114 Model/Part #: P-8-3187		
	FITTING Cat #: 59784 Model/Part #: P-8-4934	1	FITTING-STRAIN REL.(CAN)
	GROMMET Cat #: P-8-7510 Model/Part #: P-8-7510	4	GROMMET-RUBBER(CAN)
	COIL-OUTDOOR Cat #: 20H12 Model/Part #: TC-30354-14	1	COIL-OUTDOOR(CAN)
10	COIL-OUTDOOR Cat #: LB-49573AG Model/Part #: LB-49573AG	1	COIL-OUTDOOR
13	VALVE-SERVICE Cat #: 50F72 Model/Part #: 50F7201	1	"LIQUID LINE,3/8""(OPTIONAL)"
13	VALVE-SERVICE Cat #: 64C67 Model/Part #: 64C6701	1	"LIQUID LINE,3/8""
14	VALVE-SERVICE Cat #: 96C65 Model/Part #: 96C6501	1	"SUCTION LINE,5/8""
20	SWITCH-HI PRESS Cat #: 44A97 Model/Part #: 96C2001	1	CUTOUT 410PSIG
21	SWITCH-LO PRESS Cat #: 87265 Model/Part #: P-8-10978	1	"CUTIN 55PSIG,CUTOUT 25PSIG (OPTIONAL)"
22	FAN Cat #: 95C59 Model/Part #: 95C5901	1	"1/2"" BORE,18"" DIA,4 BLADE"
23	SHIELD-RAIN Cat #: 32621 Model/Part #: P-8-6142	1	SHIELD, MOTOR
24	MOTOR-FAN Cat #: 47F99 Model/Part #: 47F9901	1	"1/6HP,1075RPM,208-230/60/1"
24	MOTOR-FAN Cat #: 50F11 Model/Part #: 50F1101	1	"1/5HP,900RPM,220-240/50/1 (INTL ONLY)"
25	BRACKET-MTR MTG Cat #: 96C31 Model/Part #: 96C3101	1	MOUNT-MOTOR
35	COMPRESSOR Cat #: 21G25 Model/Part #: 21G2501	1	"2-1/2TON,220-240/50/1,TEC (INTL

Callout	Name	Quantity	Description
			ONLY)"
35	COMPRESSOR Cat #: 25F39 Model/Part #: 25F3901	1	"3TON,208- 230/60/1,TEC(OPT)"
35	COMPRESSOR Cat #: 41K43 Model/Part #: 96C8901	1	"3TON,208- 230/60/1,TEC"

Note:

Note1: SEE EXPANSION VALVE CHART ON CRL CARD. Note2: SEE FIELD REPLACEMENT CRANKCASE HEATER CHART ON CRL CARD.