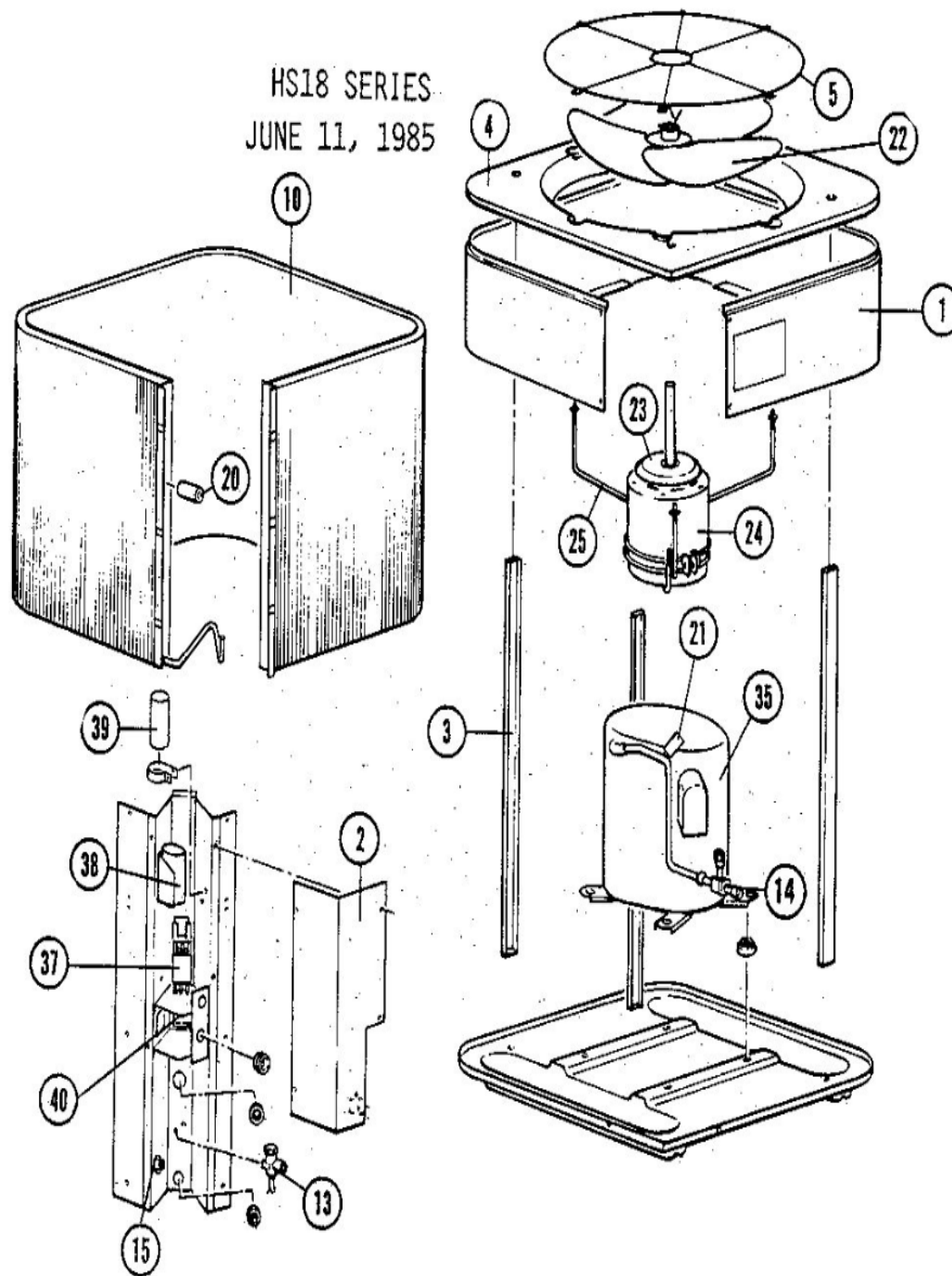
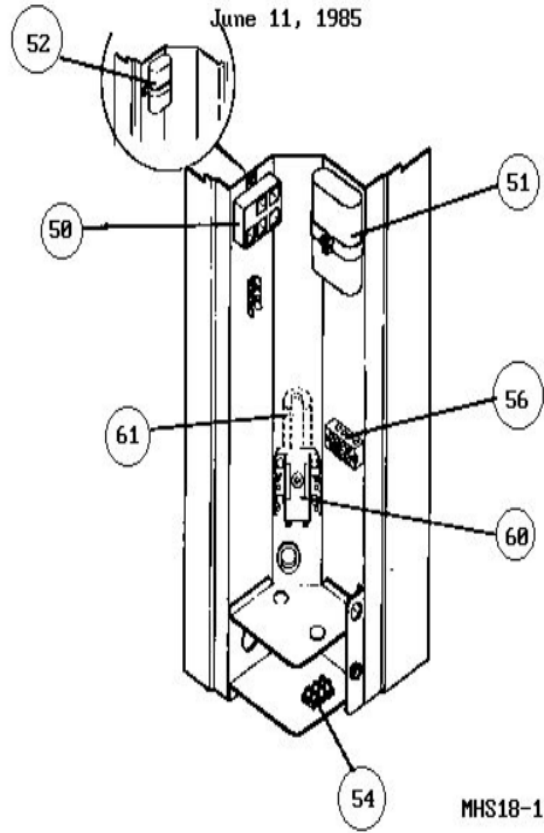


HS18 SERIES
JUNE 11, 1985



HS18-141-460 Control Box

International
June 11, 1985



Revision Number - 6

*OPTIONAL PARTS-FIELD INSTALLED

Callout	Name	Quantity	Description
	TEE Cat #: 87071 Model/Part #: P-8-10569	1	SCHRADER DEPRESSOR
	NUT Cat #: 59498 Model/Part #: P-8-1218	2	FLARE
	CAP-SEAL Cat #: 58114 Model/Part #: P-8-3187	1	CAP, BRASS (US & CAN)
	FITTING Cat #: 59784 Model/Part #: P-8-4934	1	STRAIN RELIEF (CAN ONLY)
	SWITCH-LO PRESS Cat #: 68493 Model/Part #: P-8-6383	1	"IN 285PSIG,OUT 140PSIG"
LB KIT	LOW AMBIENT KIT Cat #: 24H77 Model/Part #: LB-57113BC	1	LOW AMBIENT KIT

CABINET PARTS

Callout	Name	Quantity	Description
	GUARD-OUTDOOR COIL Cat #: 25F00 Model/Part #: 25F0001	1	GUARD-COND COIL FLAT (US & CAN)
	PANEL-TOP Cat #: 37F96 Model/Part #: LB-51050AA	1	PANEL-TOP (CAN ONLY)
	BASE Cat #: 19J25 Model/Part #: LB-76520DC	1	CONDENSER
1	PANEL Cat #: 83F46 Model/Part #: LB-51049A	1	TOP WRAPPER(LIGHT)
1	PANEL Cat #: 51J51 Model/Part #: LB-85799	1	TOP WRAPPER(DARK)
1	PANEL-TOP WRAPPER Cat #: TC-30337 Model/Part #: TC-30337	1	PANEL-TOP WRAPPER
2	COVER-CONTROL BOX	1	COVER CONTROL

Callout	Name	Quantity	Description
	Cat #: 88F08 Model/Part #: LB-50738C		BOX
2	COVER-CONTROL BOX Cat #: TC-26270 Model/Part #: TC-26270	1	COVER-CONTROL BOX
3	SUPPORT-COIL Cat #: 13G26 Model/Part #: LB-48471C	3	SUPT-COIL
3	SUPPORT-COIL Cat #: TC-25838 Model/Part #: TC-25838	3	SUPPORT-COIL
3	SUPPORT-COIL Cat #: TC-30357-1 Model/Part #: TC-30357-1	3	SUPPORT-COIL
4	PANEL-TOP Cat #: 66F77 Model/Part #: LB-51050A	1	(LIGHT)
4	PANEL-TOP Cat #: 51J42 Model/Part #: LB-85797	1	(DARK)
5	GUARD-FAN Cat #: 96C33 Model/Part #: 96C3301	1	GRILL (US & CAN)
10	COIL-OUTDOOR Cat #: 24H23 Model/Part #: TC-30354-13	3	COIL-OUTDOOR
20	SWITCH-HI PRESS Cat #: 44A97 Model/Part #: 44A9701	3	SWITCH-HI PRESS Cutout 410PSIG(CAN ONLY)
35	COMPRESSOR Cat #: 69H22 Model/Part #: 69H2201	3	COMP2 1/2TON 208-230/60/1 TECH (CAN ONLY)
36	GROMMET Cat #: P-8-7510 Model/Part #: P-8-7510	4	COMPRESSOR ISOLATOR (CAN ONLY)

CONTROL PANEL PARTS

Callout	Name	Quantity	Description
	CAPACITOR-START Cat #: 58326 Model/Part #: P-8-3576	1	"108MFD,250VAC"
	RELAY-POTENTIAL	1	"SP,N.C.,480V"

Callout	Name	Quantity	Description
	Cat #: 58327 Model/Part #: P-8-3577		
	CLIP Cat #: P-8-5720 Model/Part #: P-8-5720	1	CLIP (CAN ONLY)
	BUSHING-SNAP Cat #: 86065 Model/Part #: P-8-7102	1	"1/2" ID FOR 7/8" OPENING"
	CUTOUT LOW AMBIENT Cat #: 45F08 Model/Part #: T6-1469	1	THERM SENSNG (CAN ONLY)
32	GROMMET Cat #: 66858 Model/Part #: P-8-1070	1	GROMMET, 1-1/8" ID X 1-1/2" OD (CAN ONLY)
37	CONTACTOR Cat #: 65C69 Model/Part #: 65C6901	1	"SPST,24V" (US & CAN)
38	CAPACITOR-RUN Cat #: 46F44 Model/Part #: 46F4401	1	"35+5MFD,370VAC"
39	CAPACITOR Cat #: 53H27 Model/Part #: 53H2401	1	CAP-FAN&RUN 20+5 MFD 370 VAC (CAN ONLY)
40	CONTROL-TIMED OFF Cat #: 32F21 Model/Part #: LB-50709BA	1	(OPTIONAL)

COOLING PARTS

Callout	Name	Quantity	Description
	HEATER-CRANKCASECOMP-INTERNAL(OPTIONAL- Cat #: Model/Part #:	1	
	DRIER Cat #: 12L71 Model/Part #: 12L7101	1	LIQUID LINE(OPTIONAL)
	O-RING Cat #: 13B49 Model/Part #: 13B4901PR	1	"FOR 3/8" SERVICE VALVE"
	MUFFLER Cat #: 18F47 Model/Part #: 18F4701	1	DISCHARGE LINE
	CAP Cat #: 18G79 Model/Part #: 18G7901	1	END-FOR SERVICE VALVE

Callout	Name	Quantity	Description
	INSERT Cat #: 28C65 Model/Part #: 28C6501	1	(OPTIONAL)
	FERRULE REPL PKG Cat #: 42C38 Model/Part #: 42C3801PR	1	(OPTIONAL)
	FERRULE REPL PKG Cat #: 45C71 Model/Part #: 45C7101PR	1	(OPTIONAL)
	MOUNT PKG-COMP Cat #: 49A67 Model/Part #: 49A7001PR	1	49A7001PR COMP MT PK
	UNION Cat #: 51A69 Model/Part #: 51A6901	1	(OPTIONAL)
	UNION Cat #: 51A71 Model/Part #: 51A7101	1	(OPTIONAL)
	DRIER Cat #: 58A63 Model/Part #: 58A6301	1	SUCTION LINE
	FITTING-PRESS TAP Cat #: 60F11 Model/Part #: 60F1101	1	FOR HI PRES SWITCH
	BUSHING-SNAP Cat #: 62A32 Model/Part #: 62A3201	1	"1"ID FOR 1- 3/8"OPENING"
	DRIER Cat #: 69H06 Model/Part #: 69H0601	1	DRIER (CAN ONLY)
	RESTRICTOR Cat #: 76A90 Model/Part #: 76A9001	1	(RFC II-60HZ ONLY) (US & CAN)
	GROMMET Cat #: LB-51460DA Model/Part #: LB- 51460DA	1	KIT-FOR COMP SOUND REDUCTION
	DISTRIBUTOR Cat #: 87258 Model/Part #: P-8-10820	1	DISCHARGE LINE
	CAP-SEAL Cat #: 66817 Model/Part #: P-8-1401	1	FOR LO PRESSURE SWITCH
	VALVE CORE Cat #: 66820 Model/Part #: P-8-1897	1	"FOR 5/8"SERVICE VALVE" (US & CAN)
	CAP-SEAL Cat #: 58114 Model/Part #: P-8-3187	1	"FOR 5/8"SERVICE VALVE" (US & CAN)

Callout	Name	Quantity	Description
10	COIL-OUTDOOR Cat #: 47F02 Model/Part #: LB-49573AF	1	COIL
13	VALVE-SERVICE Cat #: 50F72 Model/Part #: 50F7201	1	"LIQUID LINE, 3/8""(OPTIONAL)"
13	VALVE-SERVICE Cat #: 64C67 Model/Part #: 64C6701	1	"LIQUID LINE,3/8"" (US & CAN)
14	VALVE-SERVICE Cat #: 96C65 Model/Part #: 96C6501	1	"SUCTION LINE,3/4"" (US & CAN)
20	SWITCH-HI PRESS Cat #: 44A97 Model/Part #: 96C2001	1	CUTOUT 410PSIG
21	SWITCH-LO PRESS Cat #: 87265 Model/Part #: P-8-10978	1	"CUTIN 55PSIG,CUTOUT 25PSIG (OPTIONAL)"
22	FAN Cat #: 95C59 Model/Part #: 95C5901	1	"1/2"" BORE,18"" DIA,4 BLADE" (US & CAN)
23	SHIELD-RAIN Cat #: 32621 Model/Part #: P-8-6142	1	SHIELD, MOTOR (US & CAN)
24	MOTOR-FAN Cat #: 47F99 Model/Part #: 47F9901	1	"1/6HP,1075RPM,208- 230/60/1" (US & CAN)
25	BRACKET-MTR MTG Cat #: 96C31 Model/Part #: 96C3101	1	MOUNT-MOTOR (US & CAN)
35	COMPRESSOR Cat #: 63K71 Model/Part #: 96C8801	1	"2-1/3TON,208- 230/60/1,TEC"

Note:

Note1: SEE FIELD REPLACEMENT CRANKCASE HEATER CHART ON CRL CARD. Note2: SEE EXPANSION VALVE CHART ON CRL CARD.