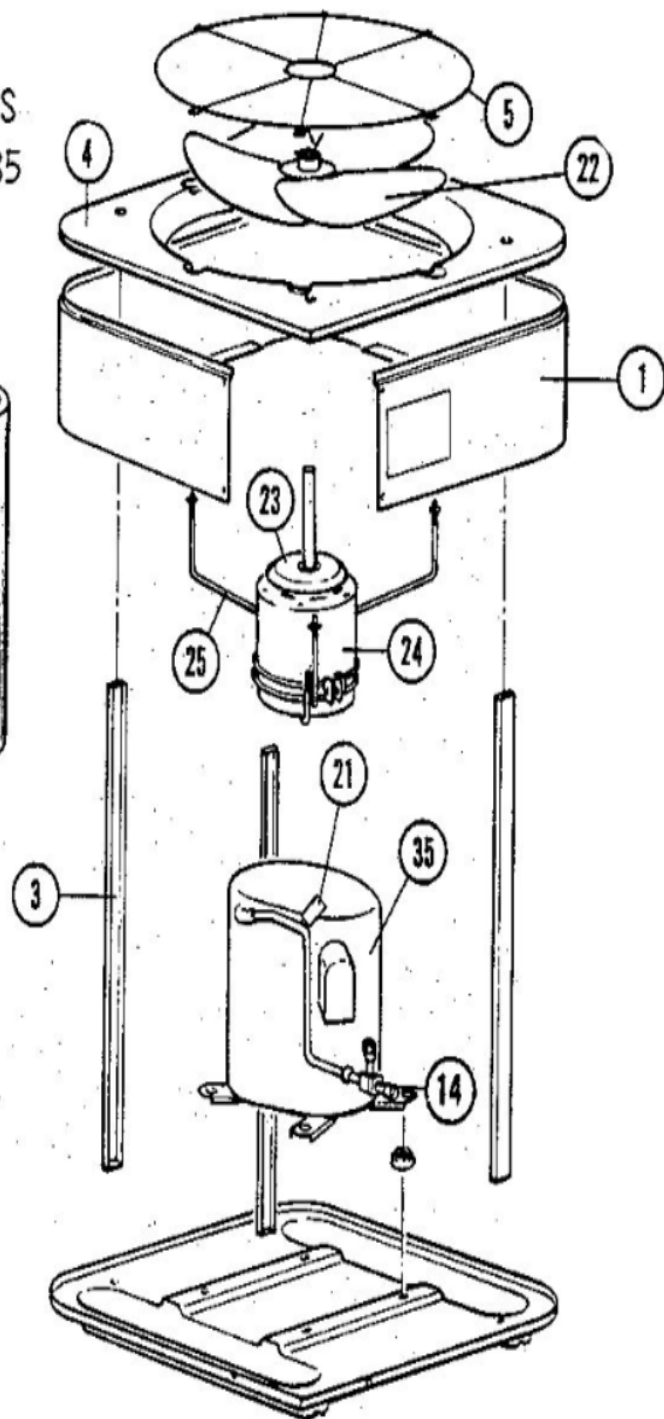
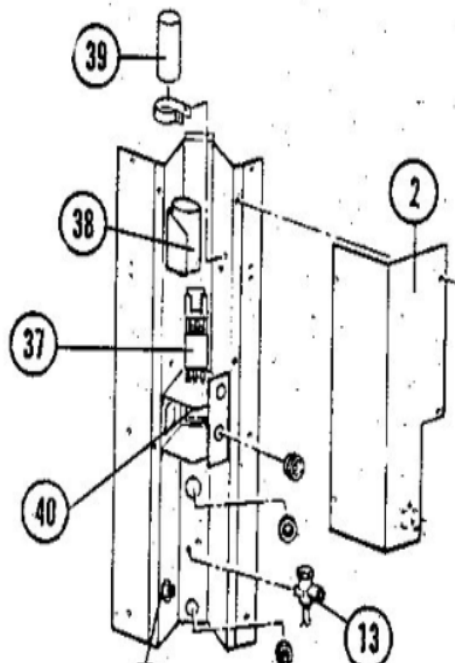
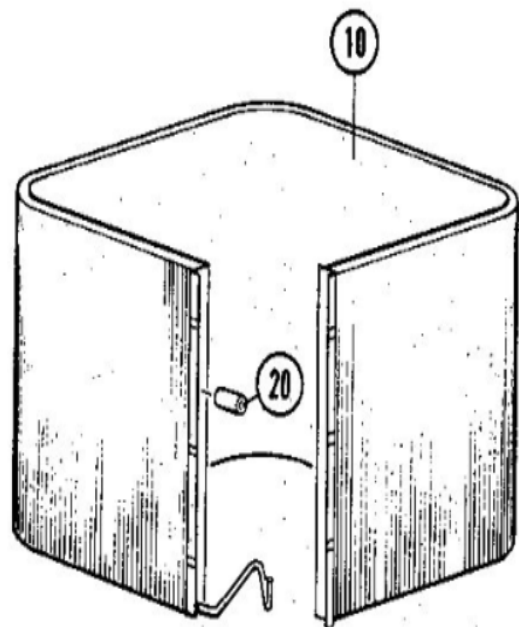


HS18 SERIES  
JUNE 11, 1985



Revision Number - 8

## \*OPTIONAL PARTS-FIELD INSTALLED

Callout	Name	Quantity	Description
	TEE Cat #: 87071 Model/Part #: P-8-10569	1	SCHRADER DEPRESSOR
	NUT Cat #: 59498 Model/Part #: P-8-1218	2	FLARE
	CAP-SEAL Cat #: 58114 Model/Part #: P-8-3187	1	CAP, BRASS
	FITTING Cat #: 59784 Model/Part #: P-8-4934	1	STRAIN RELIEF
	SWITCH-LO PRESS Cat #: 68493 Model/Part #: P-8-6383	1	"IN 285PSIG,OUT 140PSIG"
LB KIT	LOW AMBIENT KIT Cat #: 24H77 Model/Part #: LB-57113BC	1	LOW AMBIENT KIT

## CABINET PARTS

Callout	Name	Quantity	Description
	GUARD-OUTDOOR COIL Cat #: 21G93 Model/Part #: 21G9301	1	GUARD-COIL (USA)
	PANEL-TOP Cat #: 37F96 Model/Part #: LB-51050AA	1	PANEL- TOP(CAN)
	GUARD-OUTDOOR COIL Cat #: 20H88 Model/Part #: TC-30340-1	1	GUARD- OUTDOOR COIL(CAN)
	SUPPORT-COIL Cat #: TC-30355-1 Model/Part #: TC-30355-1	3	SUPPORT- COIL(CAN)
	COVER-CONTROL BOX Cat #: 20H28 Model/Part #: TC-31917	1	COVER- CONTROL BOX(CAN)
	PANEL-TOP WRAPPER Cat #: TC-31919 Model/Part #: TC-31919	1	PANEL-TOP WRAPPER(CAN)

<b>Callout</b>	<b>Name</b>	<b>Quantity</b>	<b>Description</b>
1	PANEL Cat #: 83F46 Model/Part #: LB-51049A	1	TOP WRAPPER(LIGHT) (USA)
1	PANEL Cat #: 51J51 Model/Part #: LB-85799	1	TOP WRAPPER(DARK) (USA)
2	COVER-CONTROL BOX Cat #: 71G00 Model/Part #: LB-54415C	1	CONTROL BOX COVER (USA)
3	SUPPORT-COIL Cat #: 80G85 Model/Part #: LB-54413D	3	COIL SUPPORT (USA & CAN)
4	PANEL-TOP Cat #: 66F77 Model/Part #: LB-51050A	1	(LIGHT) (USA & CAN)
4	PANEL-TOP Cat #: 51J42 Model/Part #: LB-85797	1	(DARK) (USA)
5	GUARD-FAN Cat #: 96C33 Model/Part #: 96C3301	1	GRILL (USA&CAN)

## CONTROL PANEL PARTS

<b>Callout</b>	<b>Name</b>	<b>Quantity</b>	<b>Description</b>
	CAPACITOR Cat #: 53H27 Model/Part #: 53H2401	1	CAPACITOR-FAN&RUN(CAN)
	FITTING Cat #: 59784 Model/Part #: P-8-4934	1	FITTING-STRAIN REL.(CAN)
	CLIP Cat #: P-8-5720 Model/Part #: P-8-5720	1	CLIP(CAN)
	BUSHING-SNAP Cat #: 86065 Model/Part #: P-8-7102	1	BUSHING-SNAP (USA) & (CAN)
	BUSHING-SNAP Cat #: 57C55 Model/Part #: P-8-8920	1	BUSHING,SNAP1-1/8in.ID X 1-1/2in.P/H(CAN)
37	CONTACTOR Cat #: 65C69 Model/Part #: 65C6901	1	"SPST,24V" (USA & CAN)
38	CAPACITOR-RUN	1	"35+5MFD,370VAC"

Callout	Name	Quantity	Description
	Cat #: 46F44 Model/Part #: 46F4401		(USA)
40	CONTROL-TIMED OFF Cat #: 32F21 Model/Part #: LB-50709BA	1	(OPTIONAL) (USA)

## COOLING PARTS

Callout	Name	Quantity	Description
	HEATER-CRANKCASECOMP-INTERNAL (OPTIONAL- Cat #: Model/Part #:	1	
	O-RING Cat #: 13B49 Model/Part #: 13B4901PR	1	"FOR 3/8"" SERVICE VALVE"
	CAP Cat #: 18G78 Model/Part #: 18G7801	1	END-FOR SERVICE VALVE (USA)
	RESTRICTOR-ORIFICE Cat #: 26F21 Model/Part #: 26F2101	1	(RFC II) (USA & CAN)
	SWITCH-HI PRESS Cat #: 44A97 Model/Part #: 44A9701	1	SWITCH-HI PRESSURE(CAN)
	FERRULE REPL PKG Cat #: 45C71 Model/Part #: 45C7101PR	1	(OPTIONAL)
	FERRULE REPL PKG Cat #: 45C73 Model/Part #: 45C7301PR	1	(OPTIONAL) (USA)
	UNION Cat #: 51A69 Model/Part #: 51A6901	1	(OPTIONAL) (USA & CAN)
	UNION Cat #: 51A70 Model/Part #: 51A7001	1	(OPTIONAL) (USA)
	DRIER Cat #: 58A63 Model/Part #: 58A6301	1	SUCTION LINE (USA)
	FITTING-PRESS TAP Cat #: 60F11 Model/Part #: 60F1101	1	FOR HI PRESS SWITCH(OPTIONAL) (USA)
	BUSHING-SNAP Cat #: 62A32 Model/Part #: 62A3201	1	"1""ID FOR 1-3/8"" OPENING" (USA)

Callout	Name	Quantity	Description
	DRIER Cat #: 69H06 Model/Part #: 69H0601	1	LIQUID LINE(USA , CAN, OPT & INTL)
	COMPRESSOR Cat #: 93G84 Model/Part #: 93G8401	1	COMPRESSOR (USA)&(CAN)
	MOUNT-PKG-COMP Cat #: 94H81 Model/Part #: 94H8101PR	1	MOUNT PKG-COMP (USA)
	CAP-SEAL Cat #: 66817 Model/Part #: P-8-1401	2	FOR LO/HI PRES SWITCH(OPTIONAL) (USA)
	VALVE CORE Cat #: 66820 Model/Part #: P-8-1897	1	"FOR 3/8"" SERVICE VALVE" (USA & CAN)
	CAP-SEAL Cat #: 58114 Model/Part #: P-8-3187	1	"FOR 5/8"" SERVICE VALVE" (USA & CAN)
	GROMMET Cat #: P-8-7510 Model/Part #: P-8-7510	4	GROMMET- RUBBER(CAN)
	COIL-OUTDOOR Cat #: 46G80 Model/Part #: TC-30354-12	1	COIL-OUTDOOR(CAN)
10	COIL-OUTDOOR Cat #: 46G80 Model/Part #: LB-49573AAE	1	COIL-FORMED ASSY (USA)
13	VALVE-SERVICE Cat #: 50F72 Model/Part #: 50F7201	1	"LIQUID LINE,3/8"" (USA) & (OPTIONAL)"
13	VALVE-SERVICE Cat #: 64C67 Model/Part #: 64C6701	1	"LIQUID LINE, 3/8""(OPT)(USA)(CAN )"
13	VALVE-SERVICE Cat #: 96C64 Model/Part #: 96C6401	1	"SUCTION LINE,5/8"" (USA & CAN)
20	SWITCH-HI PRESS Cat #: 44A97 Model/Part #: 96C2001	1	CUTOUT 410PSIG(OPTIONAL) (USA)
21	SWITCH-LO PRESS Cat #: 87265 Model/Part #: P-8-10978	1	"CUTIN 55PSIG,CUTOUT 25PSIG (OPTIONAL)"
22	FAN Cat #: 95C59 Model/Part #: 95C5901	1	"1/2"" BORE,18"" DIA,4 BLADE" (USA)

<b>Callout</b>	<b>Name</b>	<b>Quantity</b>	<b>Description</b>
23	SHIELD-RAIN Cat #: 32621 Model/Part #: P-8-6142	1	SHIELD, MOTOR (USA & CAN)
24	MOTOR-FAN Cat #: 47F99 Model/Part #: 47F9901	1	"1/6HP,1075RPM,208-230/60/1" (USA & CAN)
25	BRACKET-MTR MTG Cat #: 96C31 Model/Part #: 96C3101	1	MOUNT-MOTOR (USA & CAN)
35	COMPRESSOR Cat #: 62F86 Model/Part #: 62F8601	1	"2TON,208-230/60/1,COPE" (USA)

**Note:**

Note1: SEE FIELD REPLACEMENT CRANKCASE HEATER CHART ON CRL CARD. Note2: SEE EXPANSION VALVE CHART ON CRL CARD.