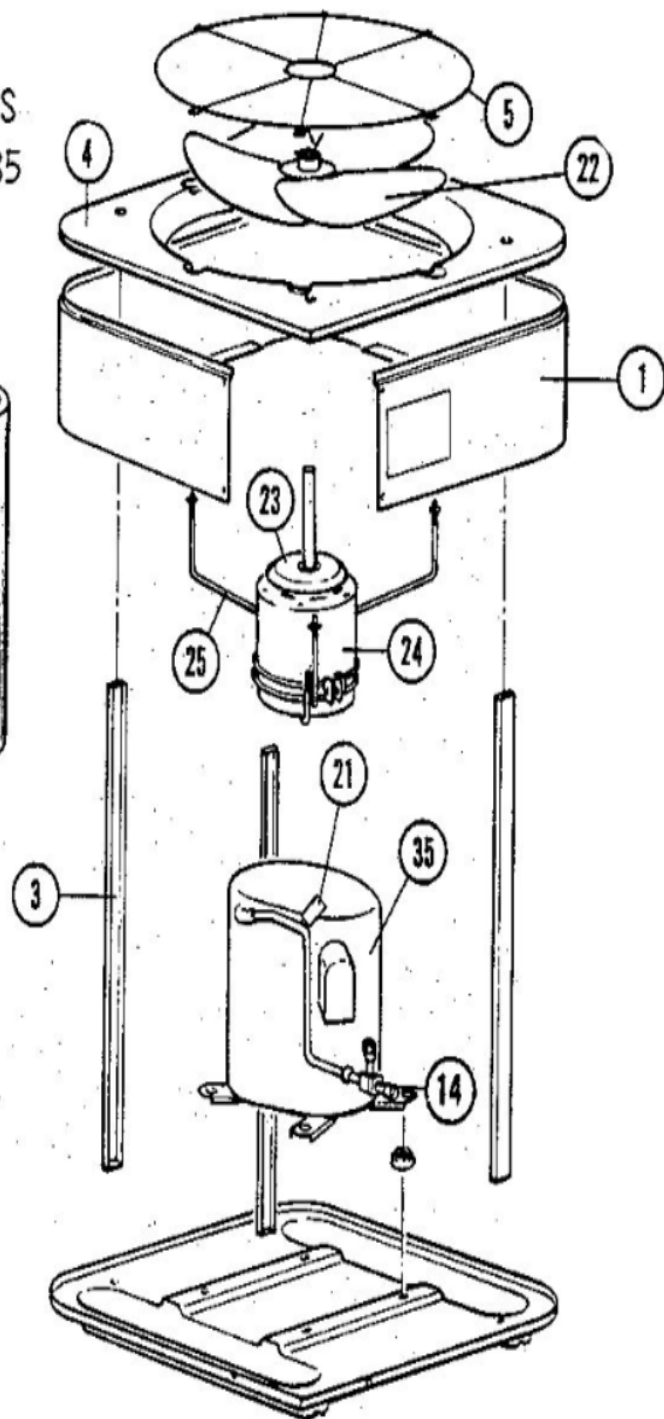
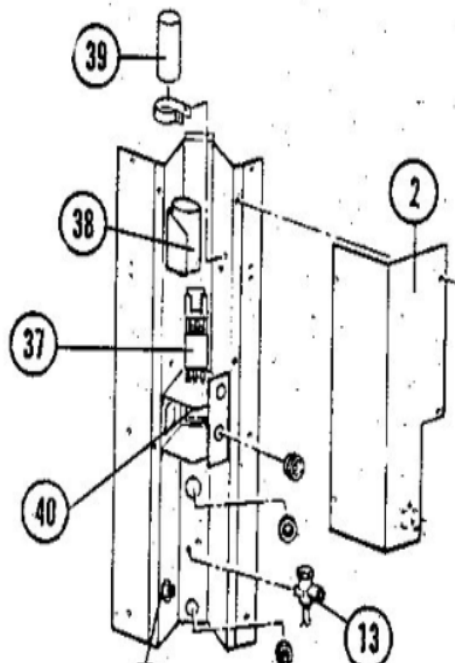
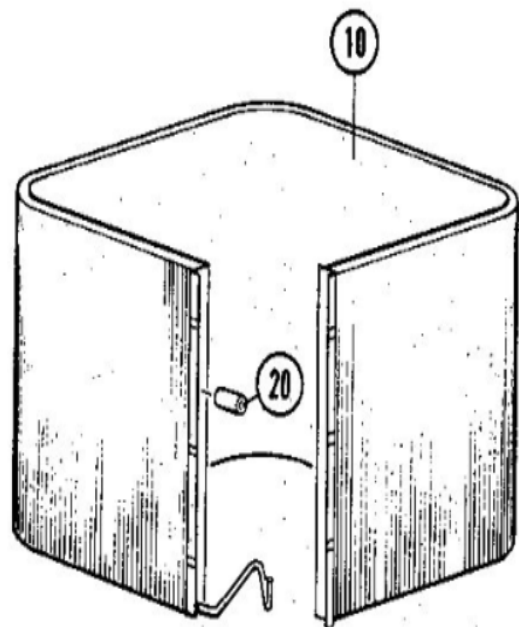


HS18 SERIES
JUNE 11, 1985



Revision Number - 4

*OPTIONAL PARTS-FIELD INSTALLED

Callout	Name	Quantity	Description
	TEE Cat #: 87071 Model/Part #: P-8-10569	1	SCHRADER DEPRESSOR
	NUT Cat #: 59498 Model/Part #: P-8-1218	2	FLARE
	CAP-SEAL Cat #: 58114 Model/Part #: P-8-3187	1	CAP, BRASS (USA) & (CAN)
	FITTING Cat #: 59784 Model/Part #: P-8-4934	1	STRAIN RELIEF
	SWITCH-LO PRESS Cat #: 68493 Model/Part #: P-8-6383	1	"IN 285PSIG,OUT 140PSIG"
LB KIT	LOW AMBIENT KIT Cat #: 24H77 Model/Part #: LB-57113BC	1	LOW AMBIENT KIT

CABINET PARTS

Callout	Name	Quantity	Description
	GUARD-OUTDOOR COIL Cat #: 25F00 Model/Part #: 25F0001	1	GUARD-COND COIL FLAT (USA) & (CAN)
1	PANEL Cat #: 83F46 Model/Part #: LB-51049A	1	TOP WRAPPER(LIGHT) (USA)
1	PANEL Cat #: 51J51 Model/Part #: LB-85799	1	TOP WRAPPER(DARK) (USA)
2	COVER-CONTROL BOX Cat #: 88F08 Model/Part #: LB-50738C	1	COVER CONTROL BOX (USA)
3	SUPPORT-COIL Cat #: 13G26 Model/Part #: LB-48471C	3	SUPT-COIL (USA)
4	PANEL-TOP Cat #: 66F77 Model/Part #: LB-51050A	1	TOP PNL LIGHT) (USA) & (CAN)

Callout	Name	Quantity	Description
4	PANEL-TOP Cat #: 51J42 Model/Part #: LB-85797	1	(DARK)(USA)
5	GUARD-FAN Cat #: 96C33 Model/Part #: 96C3301	1	GRILL (USA) & (CAN)

CONTROL PANEL PARTS

Callout	Name	Quantity	Description
	CAPACITOR-START Cat #: 66082 Model/Part #: P-8-1076	1	"120MFD,320VAC"
	RELAY-POTENTIAL Cat #: 67101 Model/Part #: P-8-2525	1	"SP,N.C.,480V"
	BUSHING-SNAP Cat #: 86065 Model/Part #: P-8-7102	1	"1/2""ID FOR 7/8"" OPENING"
37	CONTACTOR Cat #: 65C69 Model/Part #: 65C6901	1	"SPST,24V"
38	CAPACITOR-RUN Cat #: 46F44 Model/Part #: 46F4401	1	"35+5MFD,370VAC"
40	CONTROL-TIMED OFF Cat #: 32F21 Model/Part #: LB-50709BA	1	(OPTIONAL)

COOLING PARTS

Callout	Name	Quantity	Description
	HEATER-CRANKCASECOMP-INTERNAL (OPTIONAL- Cat #: Model/Part #:	1	
	O-RING Cat #: 13B49 Model/Part #: 13B4901PR	1	"FOR 3/8"" SERVICE VALVE" (USA)
	CAP Cat #: 18G78 Model/Part #: 18G7801	1	END-FOR SERVICE VALVE (USA)
	RESTRICTOR-ORIFICE Cat #: 26F21 Model/Part #: 26F2101	1	(RFC II) (USA) & (CAN)
	FERRULE REPL PKG	1	(OPTIONAL) (USA)

Callout	Name	Quantity	Description
	Cat #: 45C71 Model/Part #: 45C7101PR		
	FERRULE REPL PKG Cat #: 45C73 Model/Part #: 45C7301PR	1	(OPTIONAL) (USA)
	MOUNT PKG-COMP Cat #: 49A67 Model/Part #: 49A7001PR	1	49A7001PR COMP MT PK (USA)
	UNION Cat #: 51A69 Model/Part #: 51A6901	1	(OPTIONAL) (USA)
	UNION Cat #: 51A70 Model/Part #: 51A7001	1	(OPTIONAL) (USA)
	DRIER Cat #: 58A63 Model/Part #: 58A6301	1	SUCTION LINE (USA)
	FITTING-PRESS TAP Cat #: 60F11 Model/Part #: 60F1101	1	FITTING, PRESS. TAP (OPT) (USA)
	BUSHING-SNAP Cat #: 62A32 Model/Part #: 62A3201	1	"1"ID FOR 1-3/8" OPENING"(USA)
	DRIER Cat #: 69H06 Model/Part #: 69H0601	1	LIQUID LINE(INTL)(OPT)(USA) & (CAN)
	GROMMET Cat #: LB-51460DA Model/Part #: LB- 51460DA	1	KIT-FOR COMP SOUND REDUCTION(USA)
	CAP-SEAL Cat #: 66817 Model/Part #: P-8-1401	1	FOR LOW PRESS SWITCH (OPT) (USA)
	VALVE CORE Cat #: 66820 Model/Part #: P-8-1897	1	"FOR 5/8"3/8" SERV VALVE" (USA) & (CAN)
	CAP-SEAL Cat #: 58114 Model/Part #: P-8-3187	1	"FOR 5/8" SERVICE VALVE" (USA) & (CAN)
10	COIL-OUTDOOR Cat #: 45F85 Model/Part #: LB-49573AD	1	COIL-OUTDOOR (USA)
13	VALVE-SERVICE Cat #: 50F72 Model/Part #: 50F7201	1	"LIQUID LINE,3/8"(OPTIONAL)" (USA)
13	VALVE-SERVICE Cat #: 64C67 Model/Part #: 64C6701	1	"LIQUID LINE,3/8" (OPT) (USA)

Callout	Name	Quantity	Description
14	VALVE-SERVICE Cat #: 96C64 Model/Part #: 96C6401	1	"SUCTION LINE,5/8"" (USA)
20	SWITCH-HI PRESS Cat #: 44A97 Model/Part #: 96C2001	1	CUTOOUT 410PSIG (OPT) (USA)
21	SWITCH-LO PRESS Cat #: 87265 Model/Part #: P-8-10978	1	"CUTIN 55PSIG,CUTOOUT 25PSIG (OPT))"(USA)
22	FAN Cat #: 95C59 Model/Part #: 95C5901	1	"1/2"" BORE,18"" DIA,4 BLADE"(USA) (CAN)
23	SHIELD-RAIN Cat #: 32621 Model/Part #: P-8-6142	1	SHIELD, MOTOR (USA) & (CAN)
24	MOTOR-FAN Cat #: 47F99 Model/Part #: 47F9901	1	1/6HP,1075RPM,208- 230/60/1 (USA & CAN)
25	BRACKET-MTR MTG Cat #: 96C31 Model/Part #: 96C3101	1	MOUNT-MOTOR (USA) & (CAN)
35	COMPRESSOR Cat #: 62F86 Model/Part #: 62F8601	1	"2TON,208- 230/60/1,COPE" (USA)

Note:

Note1: SEE FIELD REPLACEMENT CRANKCASE HEATER CHART ON CRL CARD. Note2: SEE EXPANSION VALVE CHART ON CRL CARD.