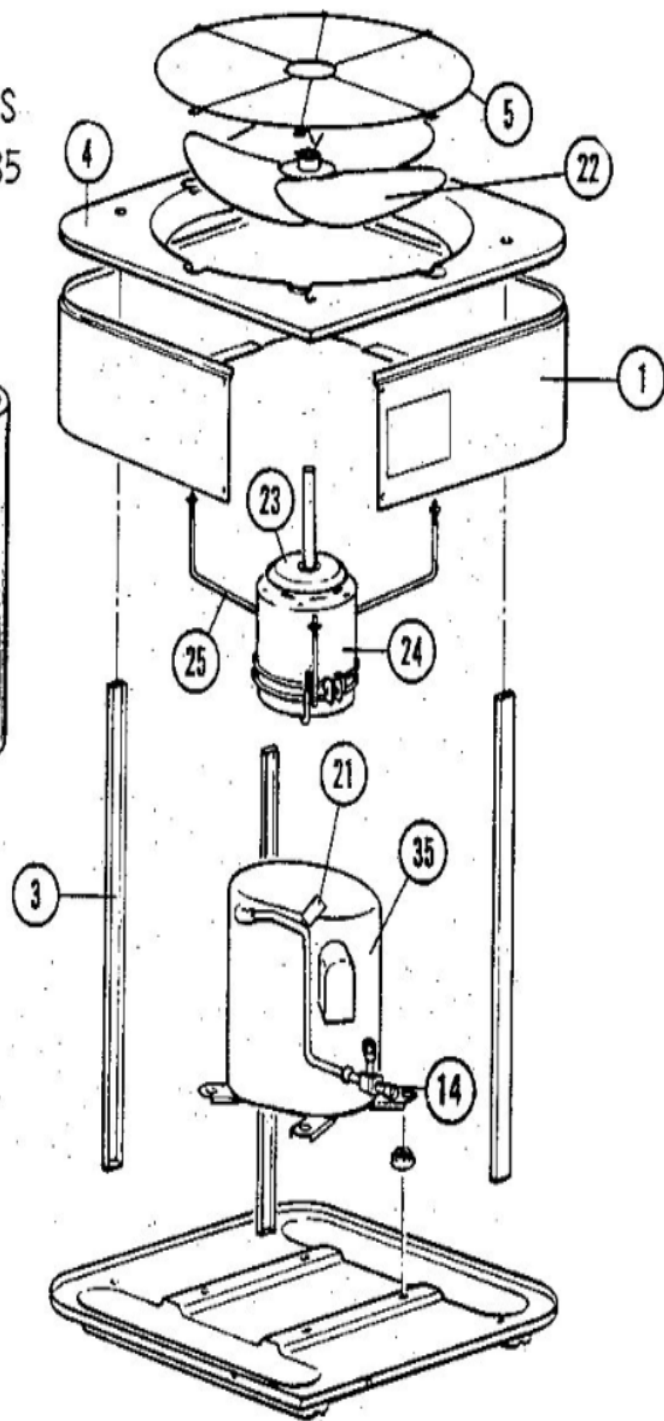
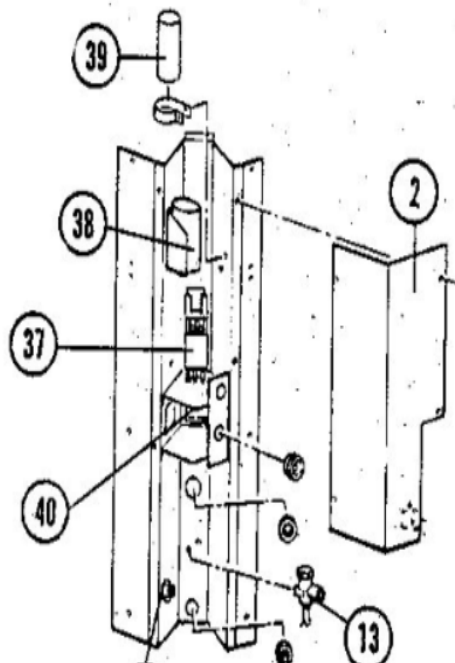
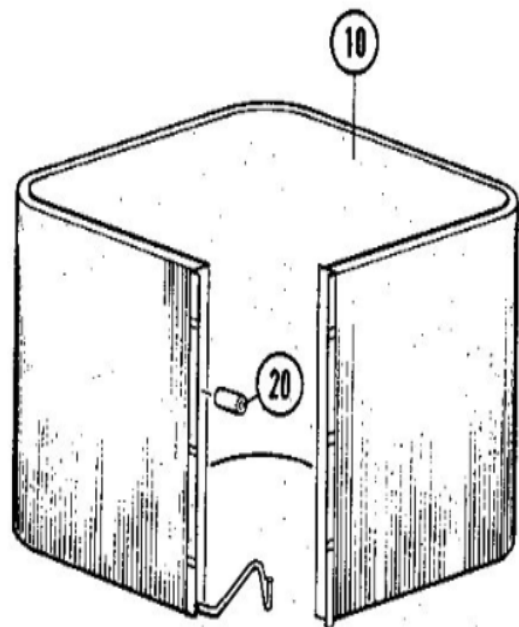


HS18 SERIES
JUNE 11, 1985



Revision Number - 10

*OPTIONAL PARTS-FIELD INSTALLED

Callout	Name	Quantity	Description
	TEE Cat #: 87071 Model/Part #: P-8-10569	1	SCHRADER DEPRESSOR
	NUT Cat #: 59498 Model/Part #: P-8-1218	2	FLARE
	CAP-SEAL Cat #: 58114 Model/Part #: P-8-3187	1	CAP, BRASS
	FITTING Cat #: 59784 Model/Part #: P-8-4934	1	STRAIN RELIEF
	SWITCH-LO PRESS Cat #: 68493 Model/Part #: P-8-6383	1	"IN 285PSIG,OUT 140PSIG"
LB KIT	LOW AMBIENT KIT Cat #: 24H77 Model/Part #: LB-57113BC	1	LOW AMBIENT KIT

CABINET PARTS

Callout	Name	Quantity	Description
	GUARD-OUTDOOR COIL Cat #: 21G93 Model/Part #: 21G9301	1	GUARD-COIL
1	PANEL Cat #: 83F46 Model/Part #: LB-51049A	1	TOP WRAPPER(LIGHT)
1	PANEL Cat #: 51J51 Model/Part #: LB-85799	1	TOP WRAPPER(DARK)
2	COVER-CONTROL BOX Cat #: 71G00 Model/Part #: LB-54415C	1	(USA) and (INTL)
3	SUPPORT-COIL Cat #: 80G85 Model/Part #: LB-54413D	3	(USA) and (INTL)
4	PANEL-TOP Cat #: 66F77 Model/Part #: LB-51050A	1	(LIGHT)
4	PANEL-TOP Cat #: 51J42 Model/Part #: LB-85797	1	(DARK)

Callout	Name	Quantity	Description
5	GUARD-FAN Cat #: 96C33 Model/Part #: 96C3301	1	GRILL

CONTROL PANEL PARTS

Callout	Name	Quantity	Description
37	CONTACTOR Cat #: 65C69 Model/Part #: 65C6901	1	"SPST,24V"
38	CAPACITOR-FAN&RUN Cat #: 46F43 Model/Part #: 46F4301	1	"25+5MFD,370VAC"
40	CONTROL-TIMED OFF Cat #: 32F21 Model/Part #: LB-50709BA	1	(OPTIONAL)

COOLING PARTS

Callout	Name	Quantity	Description
	HEATER-CRANKCASECOMP-INTERNAL (OPTIONAL- Cat #: Model/Part #:	1	
	O-RING Cat #: 13B49 Model/Part #: 13B4901PR	1	"FOR 3/8"" SERVICE VALVE"
	CAP Cat #: 18G78 Model/Part #: 18G7801	1	END-FOR SERVICE VALVE
	FERRULE REPL PKG Cat #: 45C71 Model/Part #: 45C7101PR	1	(OPTIONAL)
	FERRULE REPL PKG Cat #: 45C73 Model/Part #: 45C7301PR	1	(OPTIONAL)
	UNION Cat #: 51A69 Model/Part #: 51A6901	1	(OPTIONAL)
	UNION Cat #: 51A70 Model/Part #: 51A7001	1	(OPTIONAL)
	DRIER Cat #: 58A63 Model/Part #: 58A6301	1	SUCTION LINE
	FITTING-PRESS TAP	1	FOR HI PRESS

Callout	Name	Quantity	Description
	Cat #: 60F11 Model/Part #: 60F1101		SWITCH(OPTIONAL)
	BUSHING-SNAP Cat #: 62A32 Model/Part #: 62A3201	1	"1""ID FOR 1-3/8""OPENING"
	DRIER Cat #: 69H06 Model/Part #: 69H0601	1	LIQUID LINE(OPT)
	RESTRICTOR Cat #: 76A92 Model/Part #: 76A9201	1	(RFC II)
	MOUNT-PKG-COMP Cat #: 94H81 Model/Part #: 94H8101PR	1	MOUNT PKG-COMP
	CAP-SEAL Cat #: 66817 Model/Part #: P-8-1401	2	FOR LO PRESS SWITCH(OPTIONAL)
	VALVE CORE Cat #: 66820 Model/Part #: P-8-1897	1	"FOR 3/8"" SERVICE VALVE"
	CAP-SEAL Cat #: 58114 Model/Part #: P-8-3187	1	"FOR 3/8"" SERVICE VALVE"
10	COIL-OUTDOOR Cat #: 46G80 Model/Part #: LB-49573AAE	1	"(18"" HIGH)"
13	VALVE-SERVICE Cat #: 50F72 Model/Part #: 50F7201	1	"LIQUID LINE,3/8""(OPTIONAL)"
13	VALVE-SERVICE Cat #: 64C67 Model/Part #: 64C6701	1	"LIQUID LINE,3/8""(OPTIONAL)"
14	VALVE-SERVICE Cat #: 96C64 Model/Part #: 96C6401	1	"SUCTION LINE,5/8"""
20	SWITCH-HI PRESS Cat #: 44A97 Model/Part #: 96C2001	1	CUTOUT 410PSIG (OPTIONAL)
21	SWITCH-LO PRESS Cat #: 87265 Model/Part #: P-8-10978	1	"CUTIN 55PSIG,CUTOUT 25PSIG (OPTIONAL)"
22	FAN Cat #: 95C59 Model/Part #: 95C5901	1	"1/2"" BORE,18"" DIA,4 BLADE"
23	SHIELD-RAIN Cat #: 32621 Model/Part #: P-8-6142	1	SHIELD, MOTOR
24	MOTOR-FAN	1	"1/6HP,1075RPM,208-

Callout	Name	Quantity	Description
	Cat #: 47F99 Model/Part #: 47F9901		230/60/1"
25	BRACKET-MTR MTG Cat #: 96C31 Model/Part #: 96C3101	1	MOUNT-MOTOR
35	COMPRESSOR Cat #: 93G85 Model/Part #: 93G8501	1	"2TON,208- 230/60/1,COPE"

Note:

Note1: SEE FIELD REPLACEMENT CRANKCASE HEATER CHART ON CRL CARD. Note2: SEE EXPANSION VALVE CHART ON CRL CARD.