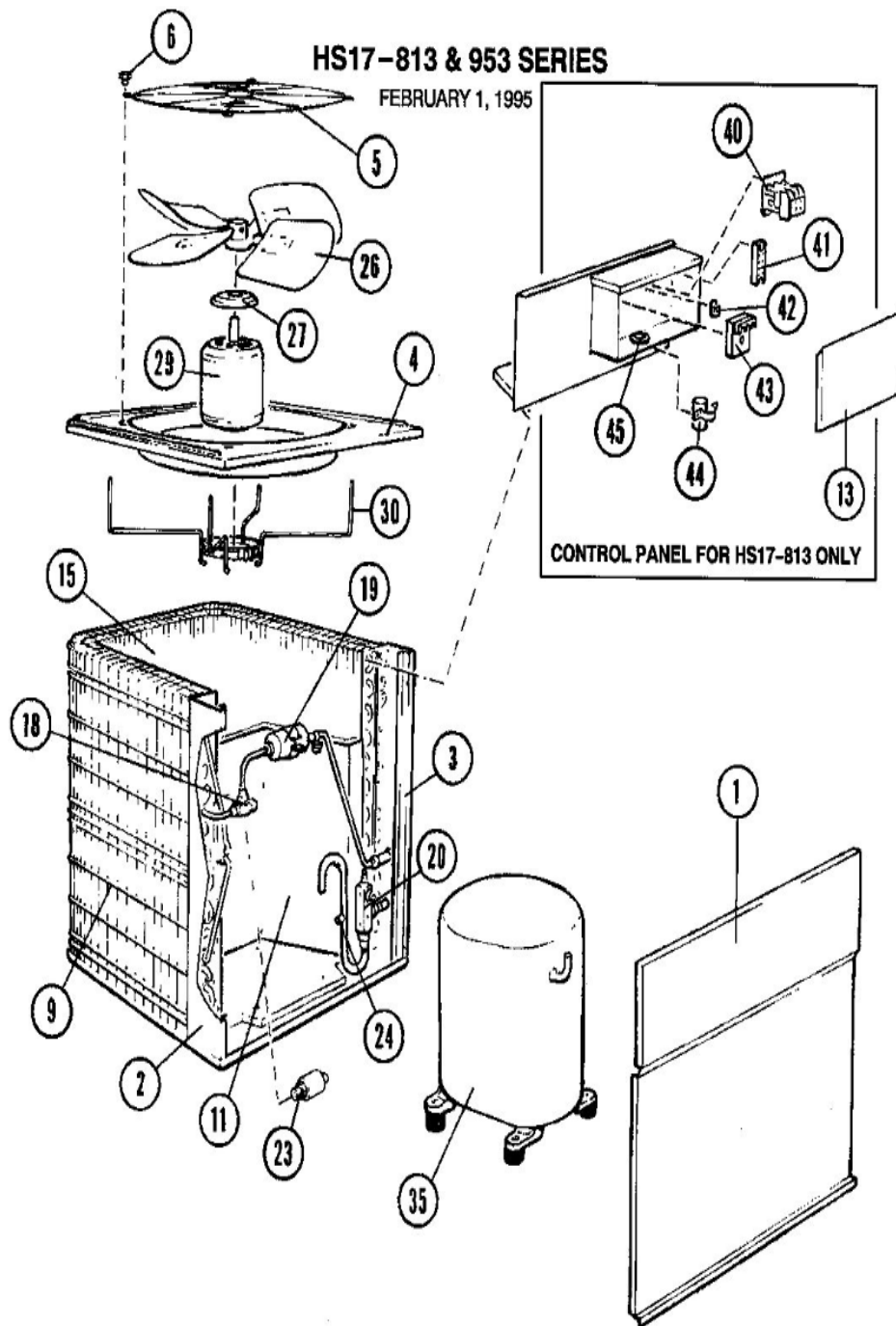


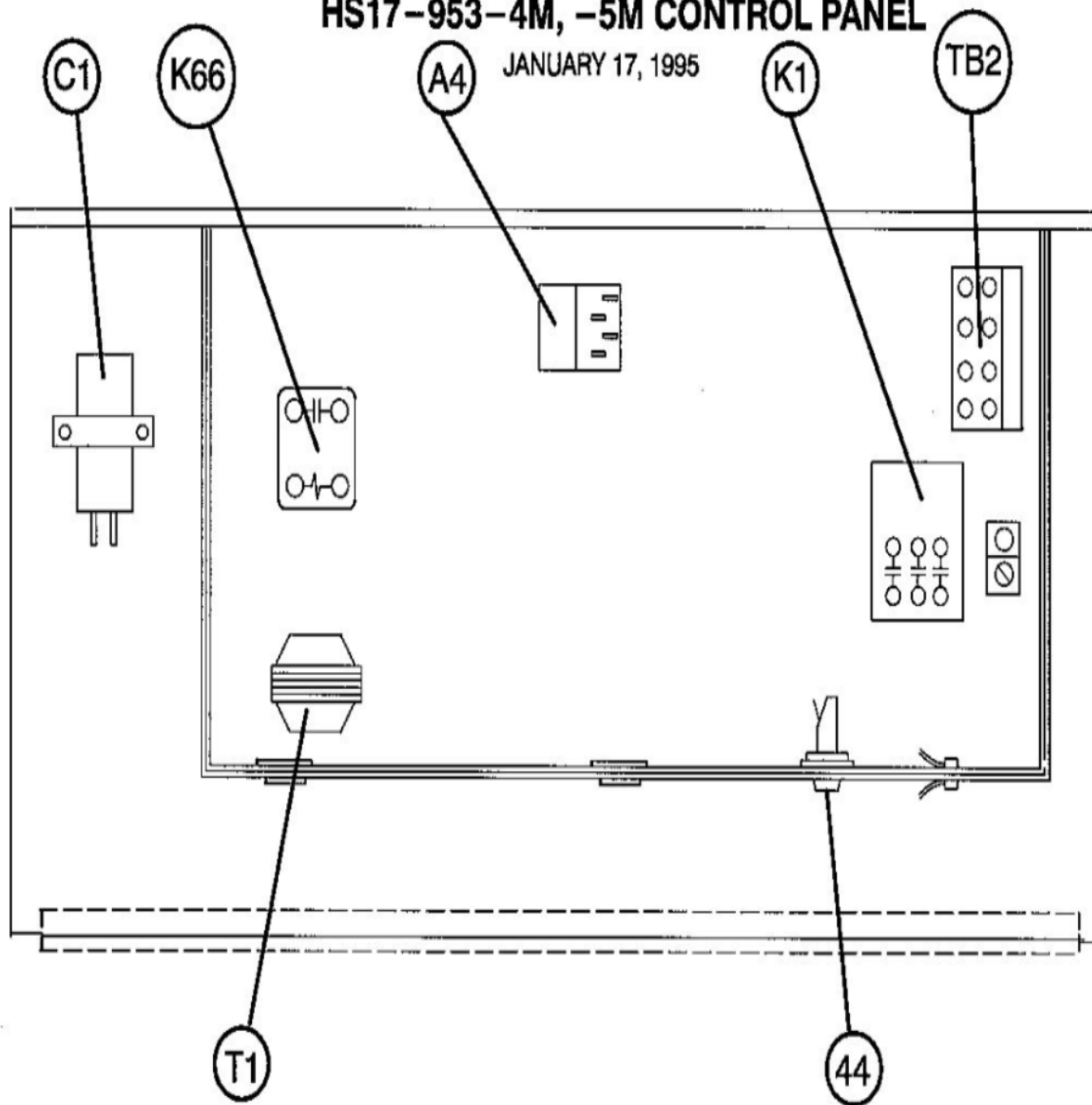
# HS17-813 & 953 SERIES

FEBRUARY 1, 1995



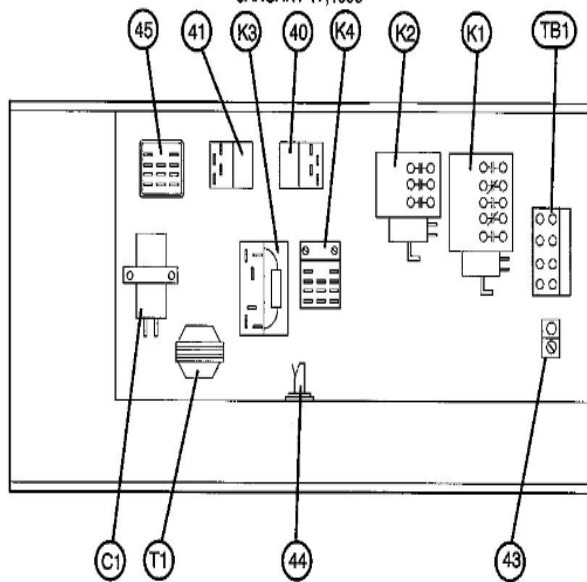
# HS17-953-4M, -5M CONTROL PANEL

JANUARY 17, 1995

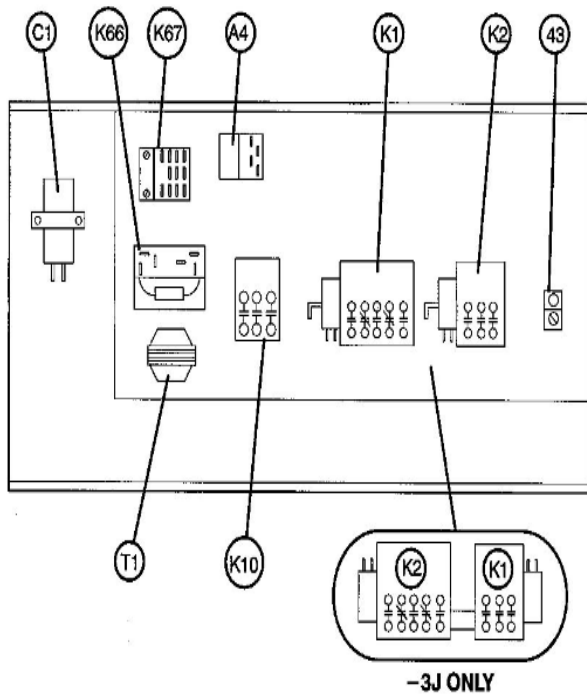


### HS17-953-1, -2 CONTROL PANEL

JANUARY 17, 1995

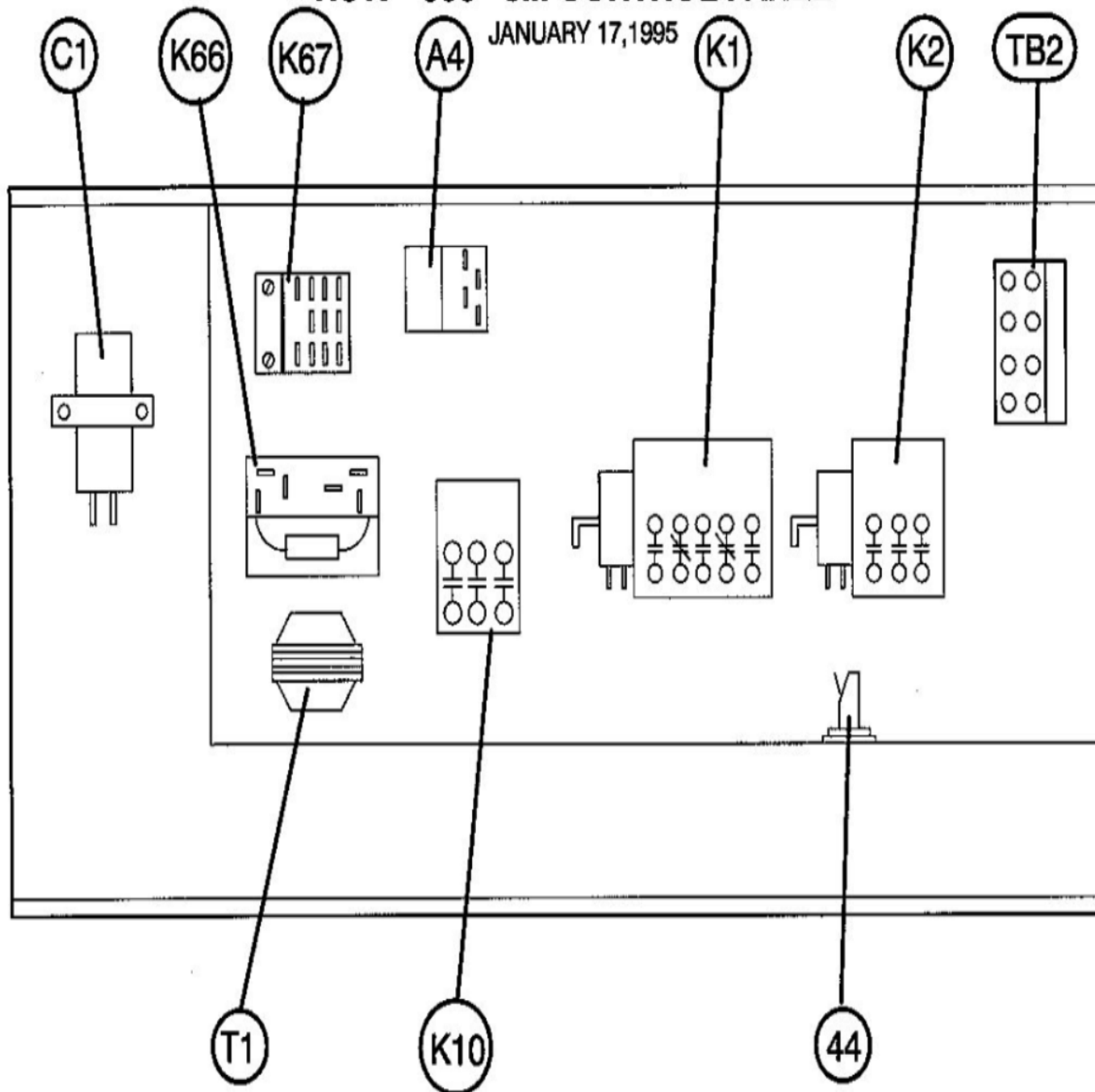


### HS17-953-3 CONTROL PANEL



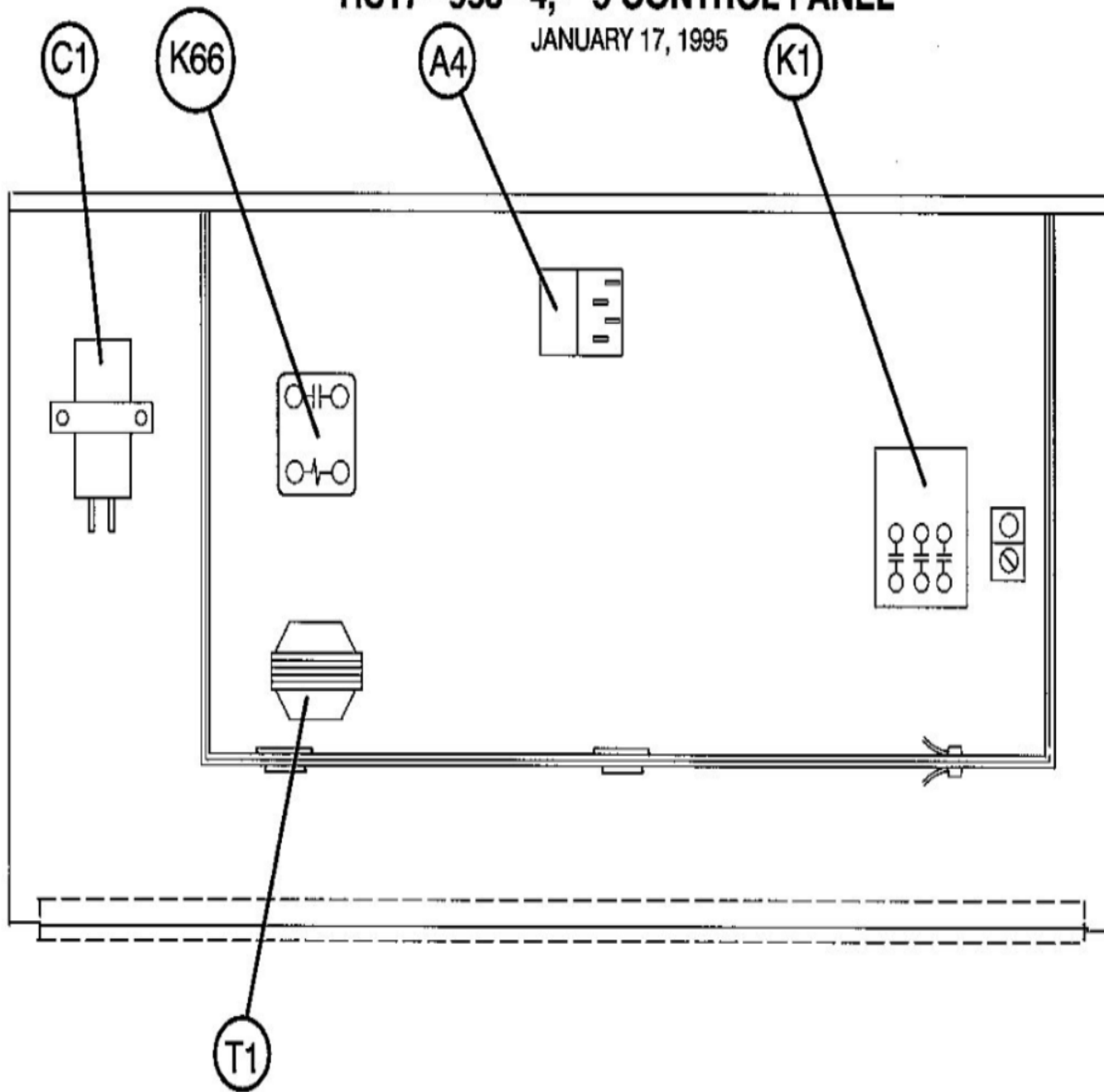
# HS17-953-3M CONTROL PANEL

JANUARY 17, 1995



# HS17-953-4, -5 CONTROL PANEL

JANUARY 17, 1995



Revision Number - 5

## \*OPTIONAL PARTS-FIELD INSTALLED

Callout	Name	Quantity	Description
	HOLDER-FUSE Cat #: 12B52 Model/Part #: 12B5201	1	HOLDER-FUSE
	VALVE-REFRIG Cat #: 19B53 Model/Part #: 19B5301	1	"SOLENOID VALVE- 1/2" X 5/8"
	FUSE Cat #: 27H11 Model/Part #: 27H1101	1	"LINK TYPE,9AMP,500VAC"
	FUSE Cat #: 27H12 Model/Part #: 27H1201	1	"LINK TYPE,20AMP,500VAC"
	FUSE Cat #: 27H13 Model/Part #: 27H1301	1	"LINK TYPE,12AMP.500VAC"
	THERMOSTAT Cat #: 43C78 Model/Part #: 43C7801	1	THERMOSTAT
	HUMIDISTAT Cat #: 65F86 Model/Part #: 65F8601	1	"DEHUMIDISTAT- SPST,24V,50VA"
	COVER-CONTROL BOX Cat #: LB-34831C Model/Part #: LB-34831C	1	COVER
	TEE Cat #: 87071 Model/Part #: P-8-10569	1	SCHRADER DEPRESSOR
	STRIP-TERMINAL Cat #: 66518 Model/Part #: P-8-108	1	TERMINAL BLOCK
	NUT Cat #: 59498 Model/Part #: P-8-1218	2	FLARE
	KNOB-DIAL Cat #: 6882 Model/Part #: P-8-3096	1	FOR THERMOSTAT
	CAP-SEAL Cat #: 58114 Model/Part #: P-8-3187	1	CAP, BRASS
	FITTING Cat #: 59784 Model/Part #: P-8-4934	1	STRAIN RELIEF
	SWITCH-LO PRESS Cat #: 68493 Model/Part #: P-8-6383	1	"IN 285PSIG,OUT 140PSIG"

Callout	Name	Quantity	Description
	RELAY Cat #: 37648 Model/Part #: P-8-6696	1	"SPDT,24V"
	RELAY Cat #: 38276 Model/Part #: P-8-8479	1	"SPDT,24V"

## CABINET PARTS

Callout	Name	Quantity	Description
	BRACKET Cat #: 15J12 Model/Part #: LB-56980C	2	SUPPORT COIL
	BUSHING-SNAP Cat #: 86065 Model/Part #: P-8-7102	1	FOR RIGHT CORNER POST
1	PANEL Cat #: 90G10 Model/Part #: LB-80357BN	1	ACCESS
2	MULLION Cat #: 53H69 Model/Part #: LB-61076C	1	LEFT
3	POST-CORNER Cat #: 21H37 Model/Part #: LB-61083C	1	RIGHT
4	PANEL-TOP Cat #: 55H50 Model/Part #: LB-62529A	1	TOP PANEL
5	GRILLE-DISCHARGE Cat #: 63K60 Model/Part #: 63K6001	1	GRILLE-DISCHARGE
6	NUT Cat #: 66A03 Model/Part #: 66A0301	4	DISCHARGE GRILLE
9	GUARD-OUTDOOR COIL Cat #: 10H41 Model/Part #: LB-81123C	1	GUARD-OUTDOOR COIL
13	COVER-CONTROL BOX Cat #: LB-49871C Model/Part #: LB-49871C	1	COVER CONTROL BOX HS17-953

## CONTROL PANEL PARTS

Callout	Name	Quantity	Description
	FUSE Cat #: 71G35 Model/Part #:	1	"N3 TYPE, 3.5AMP,125V (FOOTNOTE 1)"

Callout	Name	Quantity	Description
	71G3501		
	CARRIER-FUSE Cat #: 96C77 Model/Part #: 96C7701	1	(INTL ONLY)
	FUSE Cat #: 99C09 Model/Part #: 99C0901	1	"TRANSF-GMA TYPE,3.15AMP,250V (INTL ONLY
	FUSE Cat #: 66247 Model/Part #: P-8- 1674	1	"TRANSF-C TYPE,2.5AMP,250V"
	GROMMET Cat #: 36C66 Model/Part #: P-8- 7324	1	"7/8""ID FOR 1-1/8""OPENING"
	BUSHING Cat #: 76724 Model/Part #: P-8- 8666	1	"1-3/8""ID FOR 1-3/4""OPENING (FOOTNOTE
	BUSHING-SNAP Cat #: 57C55 Model/Part #: P-8- 8920	1	"1-1/8""ID FOR 1-1/2""OPENING"
43	CONNECTOR Cat #: 83C58 Model/Part #: P-8- 10389	1	GROUND LUG
44	HOLDER-FUSE Cat #: 96C76 Model/Part #: 96C7601	1	(INTL ONLY)
A4	CONTROL-TIMED OFF Cat #: 47J35 Model/Part #: LB- 61378A	1	"5 MIN, 1 SPD"
C1	CAPACITOR Cat #: 53H05 Model/Part #: 96C4201	1	"12.5MFD,370VAC (CAN & INTL ONLY)"
C1	CAPACITOR-FAN MTR Cat #: 96C44 Model/Part #: 96C4401	1	"20MFD,370VAC"
K1	CONTACTOR Cat #: 38113 Model/Part #: P-8-	1	"3PDT,24V(208/230V ONLY)"

Callout	Name	Quantity	Description
	7716		
K1	CONTACTOR Cat #: 38393 Model/Part #: P-8-7736	1	"3PDT,24V(460V,575V,AND INTL)"
K66	RELAY Cat #: 48G95 Model/Part #: 48G9501	1	"CONTROL #1-SPST,24V"
T1	TRANSFORMER Cat #: 13H28 Model/Part #: 13H2801	1	"208/240VPRI,24VSEC,70VA, L/FUSE"
T1	TRANSFORMER Cat #: 51H79 Model/Part #: 51H7901	1	"480VPRI,24VSEC,70VA,L/FUSE"
T1	TRANSFORMER Cat #: 66J54 Model/Part #: 66J5401	1	"600VPRI,24VSEC,70VA,L/FUSE"
T1	TRANSFORMER Cat #: 99C10 Model/Part #: 99C1001	1	"240VPRI,24VSEC,60VA,NO FUSE (INTL ONLY)"
T1	TRANSFORMER Cat #: 67064 Model/Part #: P-8-2153	1	"550VPRI,24VSEC,50VA,W/FUSE (CANADIAN ON
TB2	BLOCK-TERMINAL Cat #: 88C67 Model/Part #: 88C6701	1	(INTL ONLY)

## COOLING PARTS

Callout	Name	Quantity	Description
	HEATER- CRANKCASEEXTERNAL(208/230V-1SPD) Cat #: Model/Part #:	1	
	O-RING Cat #: 13B49 Model/Part #: 13B4901PR	1	FOR SERV VALVE-LIQUID LINE
	MOUNT PKG-COMP Cat #: 27G31 Model/Part #: 27G3101PR	1	MOUNT PKG-COMP

<b>Callout</b>	<b>Name</b>	<b>Quantity</b>	<b>Description</b>
	HEATER-CRANKCASE Cat #: 48G84 Model/Part #: 48G8401	1	EXTERNAL(208/230V-2SPD)
	HEATER-CRANKCASE Cat #: 48G85 Model/Part #: 48G8501	1	"EXTERNAL(460V, 380/420V-2SPD)"
	HEATER-CRANKCASE Cat #: 48G86 Model/Part #: 48G8601	1	EXTERNAL(575V-2SPD)
	P-TRAP Cat #: 62F76 Model/Part #: 62F7601	1	"7/8""OD(OPTIONAL)"
	FITTING PRESS TAP Cat #: 86G64 Model/Part #: 86G6401	2	FITTING, PRESSURE TAP
	WELL-THERMOMETER Cat #: LB-54392CG Model/Part #: LB-54392CG	1	WELL-THERMOMETER
	VALVE CORE Cat #: 66820 Model/Part #: P-8-1897	2	VALVE, CORE 8075910047
	CAP-SEAL Cat #: 58114 Model/Part #: P-8-3187	3	CAP, BRASS
15	COIL-OUTDOOR Cat #: 74G91 Model/Part #: LB-80733ABR	1	W/MANIFOLD
18	VALVE-SERVICE Cat #: 15F53 Model/Part #: 15F5301	1	"LIQUID LINE-1/2""
19	DRIER Cat #: 69004 Model/Part #: P-8-9623	1	DRIER
20	VALVE-SERVICE Cat #: 23F17 Model/Part #: 23F1701	1	"SUCTION LINE,1-3/8""
23	SWITCH-HI PRESS Cat #: 86H31 Model/Part #: 86H3101	1	CUTOUT 410PSIG
24	SWITCH-LO PRESS Cat #: 87265 Model/Part #: P-8-10978	1	"CUTIN 55PSIG,CUTOUT 25PSIG"
26	FAN Cat #: 16C01 Model/Part #: 16C0101	1	"1/2""BORE,24""DIA,4 BLADE"
27	SHIELD-RAIN Cat #: 32621 Model/Part #: P-8-6142	1	SHIELD, MOTOR

<b>Callout</b>	<b>Name</b>	<b>Quantity</b>	<b>Description</b>
29	MOTOR-FAN Cat #: 16F20 Model/Part #: 16F2001	1	"3/4HP,1060RPM,208-230/60/1(FOOTNOTE 2)"
29	MOTOR-FAN Cat #: 16F21 Model/Part #: 16F2101	1	"3/4HP,1060RPM,460/60/1"
29	MOTOR-FAN Cat #: 16F22 Model/Part #: 16F2201	1	"3/4HP,1060RPM,575/60/1 (CANADIAN ONLY)"
29	MOTOR-FAN Cat #: 40C98 Model/Part #: 40C9801	1	"1/2HP,900RPM,380-420/50/1 (INTL ONLY)"
30	MOUNT-MOTOR Cat #: 63K62 Model/Part #: 63K6201	1	(INTL)
30	MOUNT-MOTOR Cat #: 63K64 Model/Part #: 63K6401	1	MOUNT-MOTOR
35	COMPRESSOR Cat #: 18H16 Model/Part #: 18H1601	1	"7TON,208-230/60/3,COPE (1 SPD)"
35	COMPRESSOR Cat #: 18H17 Model/Part #: 18H1701	1	"7TON,460/60/3 AND 380-415/50/3,COPE(1 S
35	COMPRESSOR Cat #: 18H18 Model/Part #: 18H1801	1	"7TON,575/60/3,COPE (1 SPD)"

**Note:**

Note1: IF A DASH 1 OR 2 HAS BEEN UP-DATED WITH A BRISTOL 2-SPEED COMPRESSOR, THIS UP-DATES THE UNIT TO A DASH 3. FOR ALL REPAIR PARTS, SEE DASH 3 IN THE REPAIR PARTS HANDBOOK. Note2: NEW FAN BLADE 16C0101 SHOULD BE ORDERED WHEN 16F2001 MOTOR IS REPLACED. ORIGINAL FAN BLADE WAS 16F1901. Note3: EARLIER PRODUCTION UNITS HAD FUSED TRANSFORMERS WHICH USED THIS FUSE WHICH CAN BE ORDERED FOR REPLACEMENT.