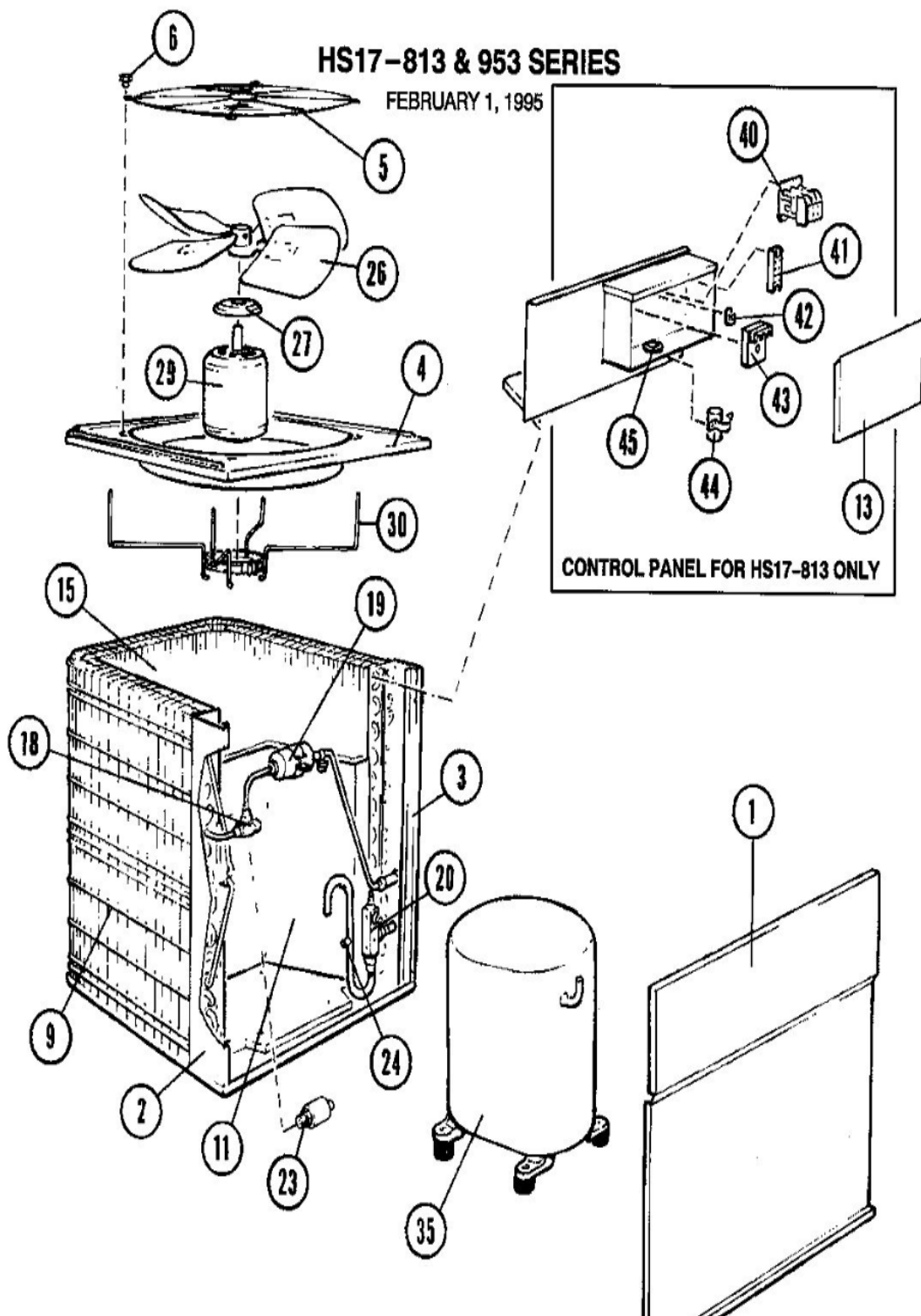


HS17-813 & 953 SERIES

FEBRUARY 1, 1995



Revision Number - 2

*OPTIONAL PARTS-FIELD INSTALLED

Callout	Name	Quantity	Description
	HOLDER-FUSE Cat #: 12B52 Model/Part #: 12B5201	1	HOLDER-FUSE
	VALVE-REFRIG Cat #: 19B53 Model/Part #: 19B5301	1	"SOLENOID VALVE- 1/2" X 5/8"
	FUSE Cat #: 27H11 Model/Part #: 27H1101	1	"LINK TYPE,9AMP,500VAC"
	FUSE Cat #: 27H12 Model/Part #: 27H1201	1	"LINK TYPE,20AMP,500VAC"
	FUSE Cat #: 27H13 Model/Part #: 27H1301	1	"LINK TYPE,12AMP,500VAC"
	HUMIDISTAT Cat #: 65F86 Model/Part #: 65F8601	1	"DEHUMIDISTAT- SPST,24V,50VA"
	COVER-CONTROL BOX Cat #: LB-34831C Model/Part #: LB-34831C	1	COVER
	TEE Cat #: 87071 Model/Part #: P-8-10569	1	SCHRADER DEPRESSOR
	STRIP-TERMINAL Cat #: 66518 Model/Part #: P-8-108	1	TERMINAL BLOCK
	NUT Cat #: 59498 Model/Part #: P-8-1218	2	FLARE
	CAP-SEAL Cat #: 58114 Model/Part #: P-8-3187	1	CAP, BRASS
	FITTING Cat #: 59784 Model/Part #: P-8-4934	1	STRAIN RELIEF
	SWITCH-LO PRESS Cat #: 68493 Model/Part #: P-8-6383	1	"IN 285PSIG,OUT 140PSIG"
	RELAY Cat #: 37648 Model/Part #: P-8-6696	1	RELAY
	RELAY Cat #: 38276 Model/Part #: P-8-8479	1	RELAY

CABINET PARTS

Callout	Name	Quantity	Description
	SUPPORT-COIL Cat #: 94G95 Model/Part #: LB-39465C	2	SUPT-COIL
	BUSHING-SNAP Cat #: 86065 Model/Part #: P-8-7102	1	FOR RIGHT CORNER POST
1	PANEL Cat #: 15G23 Model/Part #: LB-80357BK	1	ACCESS
2	POST-CORNER Cat #: 84G63 Model/Part #: LB-56889C	1	LEFT
3	POST-CORNER Cat #: 30G15 Model/Part #: LB-49505C	1	RIGHT
4	PANEL-TOP Cat #: 80C87 Model/Part #: LB-38443A	1	PANEL-TOP
5	GRILLE-DISCHARGE Cat #: 63K60 Model/Part #: 63K6001	1	GRILLE-DISCHARGE
6	NUT Cat #: 66A03 Model/Part #: 66A0301	4	DISCHARGE GRILLE
9	GUARD-OUTDOOR COIL Cat #: LB-39460C Model/Part #: LB-39460C	1	GUARD-OUTDOOR COIL
11	WRAPPER-COMP Cat #: 88G30 Model/Part #: LB-29098CD	1	WRAP-COMP
13	COVER-CONTROL BOX Cat #: 84C00 Model/Part #: LB-80365C	1	COVER-BOX

CONTROL PANEL PARTS

Callout	Name	Quantity	Description
40	CONTROL-TIMED OFF Cat #: 47J27 Model/Part #: 57A7901	1	24VAC
41	BLOCK-TERMINAL Cat #: 88C67 Model/Part #: 88C6701	1	(INTL ONLY)
42	CONNECTOR	1	GROUND LUG

Callout	Name	Quantity	Description
	Cat #: 83C58 Model/Part #: P-8-10389		
43	CONTACTOR Cat #: 38393 Model/Part #: P-8-7736	1	"3PDT,24V"
44	CAPACITOR Cat #: 53H05 Model/Part #: 96C4201	1	"12.5MFD,370VAC(CANADIAN & INTL ONLY)"
44	CAPACITOR-FAN MTR Cat #: 96C44 Model/Part #: 96C4401	1	"20MFD,370VAC"
45	BUSHING-SNAP Cat #: 57C55 Model/Part #: P-8-8920	1	BUSHING, SNAP 1-1/8in.ID X 1-1/2in.P/H

COOLING PARTS

Callout	Name	Quantity	Description
	HEATER-CRANKCASEINTERNAL Cat #: Model/Part #:	1	
	O-RING Cat #: 13B49 Model/Part #: 13B4901PR	1	FOR SERV VALVE-LIQUID LINE
	FITTING PRESS TAP Cat #: 86G64 Model/Part #: 86G6401	2	FITTING, PRESSURE TAP
	VALVE-EXPANSION Cat #: 87255 Model/Part #: P-8-11128	1	(INCLUDED IN LB-25778CD KIT)
	VALVE CORE Cat #: 66820 Model/Part #: P-8-1897	1	VALVE, CORE 8075910047
	CAP-SEAL Cat #: 58114 Model/Part #: P-8-3187	1	CAP, BRASS
	MOUNT PKG-COMP Cat #: 69219 Model/Part #: PR-317	1	MOUNT PKG-COMP
15	COIL-OUTDOOR Cat #: 12G90 Model/Part #: LB-80733AAL	1	W/MANIFOLD
18	VALVE-SERVICE Cat #: 15F53 Model/Part #: 15F5301	1	"LIQUID LINE-1/2""

Callout	Name	Quantity	Description
19	DRIER Cat #: 69004 Model/Part #: P-8-9623	1	DRIER
20	VALVE-SERVICE Cat #: 38654 Model/Part #: P-8-9757	1	"SUCTION LINE,7/8""
23	SWITCH-HI PRESS Cat #: 44A97 Model/Part #: 44A9701	1	CUTOUT 410PSIG
24	SWITCH-LO PRESS Cat #: 87265 Model/Part #: P-8-10978	1	"CUTIN 55PSIG,CUTOUT 25PSIG"
26	FAN Cat #: 16C01 Model/Part #: 16C0101	1	"1/2""BORE,24""DIA,4 BLADE"
27	SHIELD-RAIN Cat #: 32621 Model/Part #: P-8-6142	1	SHIELD, MOTOR
29	MOTOR-FAN Cat #: 16F20 Model/Part #: 16F2001	1	"3/4HP,1060RPM,208-230/60/1(FOOTNOTE 2)"
29	MOTOR-FAN Cat #: 16F21 Model/Part #: 16F2101	1	"3/4HP,1060RPM,460/60/1"
29	MOTOR-FAN Cat #: 16F22 Model/Part #: 16F2201	1	"3/4HP,1060RPM,575/60/1 (CANADIAN ONLY)"
29	MOTOR-FAN Cat #: 40C98 Model/Part #: 40C9801	1	"1/2HP,900RPM,380-420/50/1 (INTL ONLY)"
30	MOUNT-MOTOR Cat #: 63K64 Model/Part #: 63K6401	1	"13-11/16"" HT"
35	COMPRESSOR Cat #: 10G95 Model/Part #: 10G9501	1	"5-1/2TON,575/60/3,TEC"
35	COMPRESSOR Cat #: 65G79 Model/Part #: 65G7901	1	5-1/2TON,46/6/3,TEC (FOOTNOTE 1)
35	COMPRESSOR Cat #: 73A74 Model/Part #: 73A7401	1	"5-1/2TON,208-230/60/3,TEC"

Note:

Note1: WHEN REPLACING THE 460V COMPRESSOR IN THIS UNIT. ORDER A 65G7901 COMPRESSOR AND A 27G9801 KIT. (ORIGINAL PART WAS 16F1701). Note2: NEW FAN BLADE 16C0101 SHOULD BE ORDERED WHEN 16F2001 MOTOR IS REPLACED. ORIGINAL FAN BLADE WAS 16F1901.