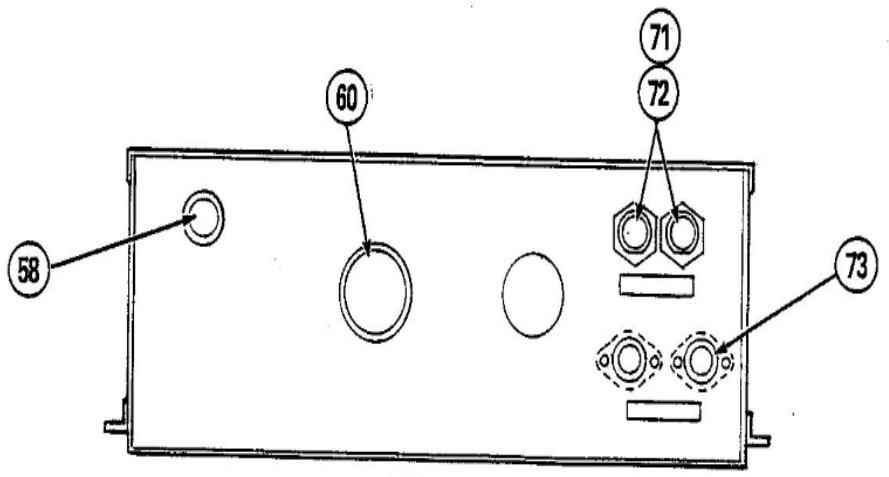
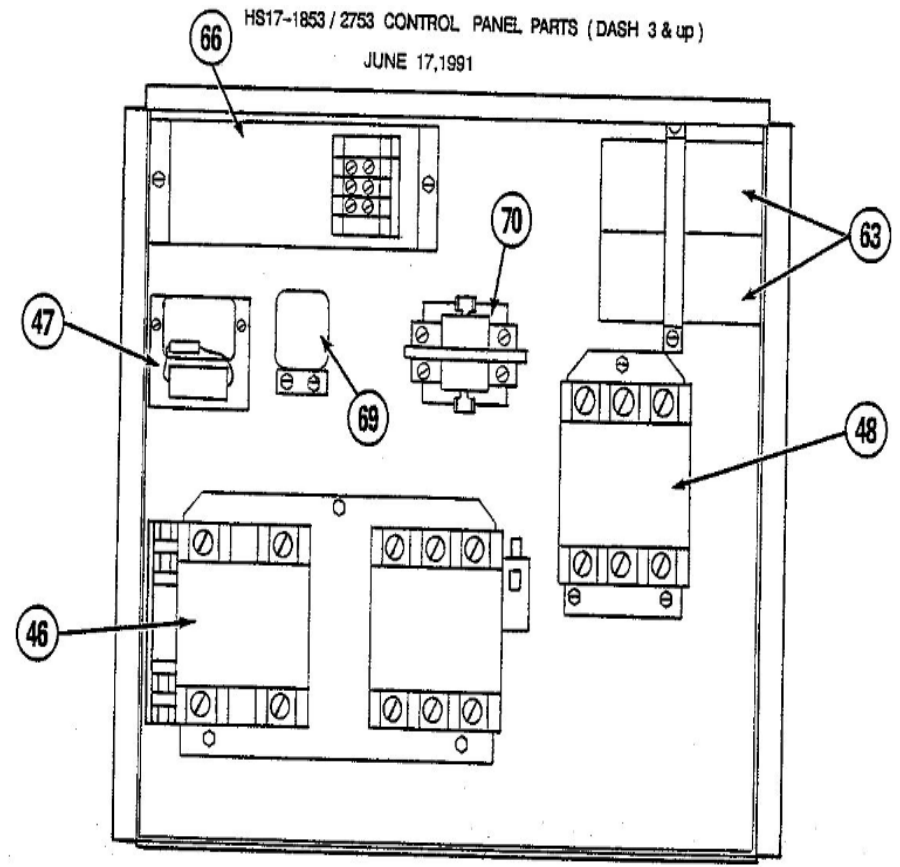


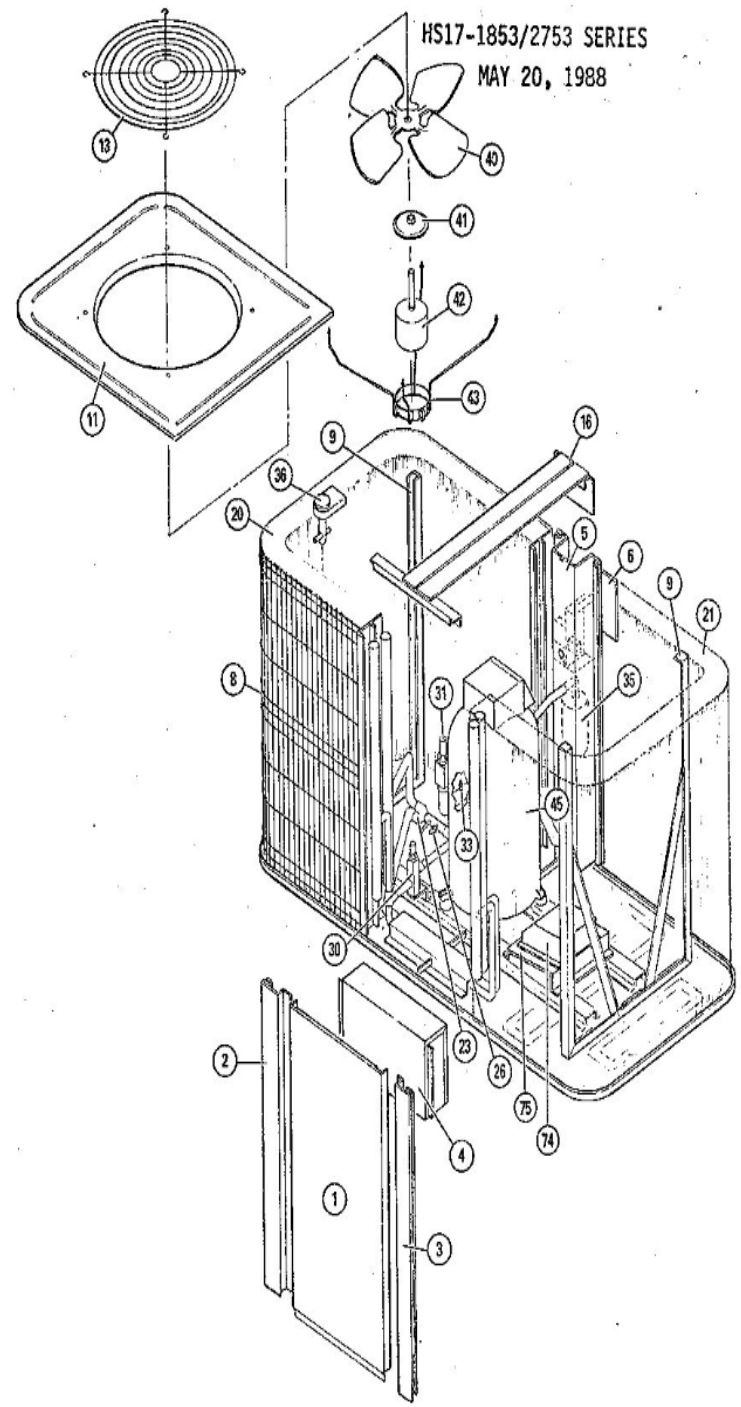
HS17-1853 / 2753 CONTROL PANEL PARTS (DASH 3 & up)
JUNE 17, 1991



BOTTOM VIEW

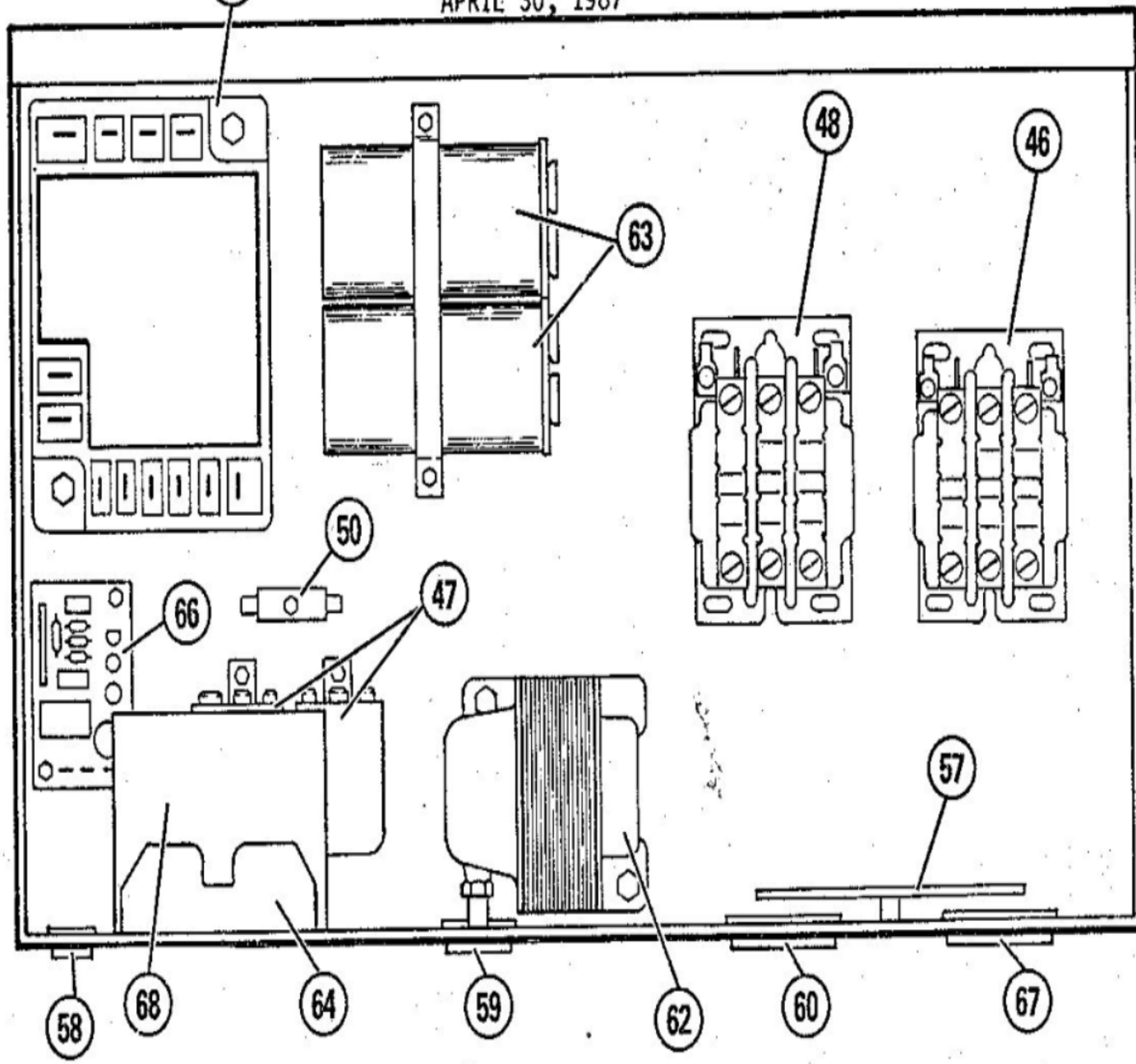


HS17-1853/2753 SERIES
MAY 20, 1988



HS17-1853/2753 CONTROL PANEL PARTS (DASH 1 & 2)

APRIL 30, 1987



Revision Number - 1

*OPTIONAL PARTS-FIELD INSTALLED

Callout	Name	Quantity	Description
	THERMOSTAT Cat #: 43C78 Model/Part #: 43C7801	1	THERMOSTAT
	TEE Cat #: 87071 Model/Part #: P-8-10569	1	SCHRADER DEPRESSOR
	NUT Cat #: 59498 Model/Part #: P-8-1218	2	FLARE
	KNOB-DIAL Cat #: 6882 Model/Part #: P-8-3096	1	FOR THERMOSTAT
	CAP-SEAL Cat #: 58114 Model/Part #: P-8-3187	1	CAP, BRASS
	FITTING Cat #: 59784 Model/Part #: P-8-4934	2	STRAIN RELIEF
	SWITCH-LO PRESS Cat #: 68493 Model/Part #: P-8-6383	1	"IN 285PSIG,OUT 140PSIG"
LB KIT	LOW AMBIENT KIT Cat #: LB-57113BB Model/Part #: LB-57113BB	1	LOW AMBIENT KIT

CABINET PARTS

Callout	Name	Quantity	Description
	NUT Cat #: 66A03 Model/Part #: 66A0301	8	DISCHARGE GRILLE
1	PANEL Cat #: 49J62 Model/Part #: LB-53339C	1	FRONT
2	MULLION Cat #: LB-50146CD Model/Part #: LB-50146CD	1	FRONT-LEFT
3	MULLION Cat #: LB-50145CD Model/Part #: LB-50145CD	1	FRONT-RIGHT
4	COVER-CONTROL BOX Cat #: LB-52135D Model/Part #: LB-52135D	1	CONT.BOX COVER

Callout	Name	Quantity	Description
5	MULLION Cat #: LB-50302CE Model/Part #: LB-50302CE	1	REAR(INTL ONLY)
5	MULLION Cat #: LB-50302CF Model/Part #: LB-50302CF	1	REAR
6	COVER Cat #: 15J11 Model/Part #: LB-53204D	1	MAKEUP BOX
8	GUARD-OUTDOOR COIL Cat #: 56G54 Model/Part #: LB-53201C	2	GUARD-COIL
9	SUPPORT-COIL Cat #: LB-78522DB Model/Part #: LB-78522DB	2	SUPPORT-COIL
11	PANEL Cat #: 41G20 Model/Part #: LB-53307C	2	ORIFICE-TOP
13	GRILLE-DISCHARGE Cat #: 63K60 Model/Part #: 63K6001	2	GRILLE-DISCHARGE
16	CHANNEL Cat #: 41G19 Model/Part #: LB-53337CA	1	TOP CENTER

CONTROL PANEL PARTS

Callout	Name	Quantity	Description
	FUSE Cat #: 10G60 Model/Part #: 10G6001	2	"KTK TYPE,9AMP,600V(440V&INTL UNITS ONLY
	FUSE Cat #: 10G62 Model/Part #: 10G6201	2	"KTK TYPE,20AMP,600V(208- 230V UNITS ONLY
	FUSE Cat #: 34C21 Model/Part #: 34C2101	1	"GMQ TYPE,3.2AMP,300V (FOOTNOTE 1)"
	FUSE Cat #: 99C09 Model/Part #: 99C0901	1	"TRANSF-GMA TYPE,3.15AMP,250V (INTL ONLY
	FUSE Cat #: 66247 Model/Part #: P-8-1674	1	"C TYPE,2.5AMP,250V (FOOTNOTE 1)"
46	CONTACTOR	1	"#2-3PDT,24V(208-230V

Callout	Name	Quantity	Description
	Cat #: 38113 Model/Part #: P-8-7716		UNITS ONLY) (FOOT
46	CONTACTOR Cat #: 38393 Model/Part #: P-8-7736	1	"#2-3PDT,24V(460,575V & INTL UNITS ONLY)
47	RELAY Cat #: 87333 Model/Part #: P-8-10665	2	"SPDT,24V (FOOTNOTE 1)"
48	CONTACTOR-COMPR Cat #: 68648 Model/Part #: P-8-7706	1	"#1-3PDT,24V(208-230V UNITS ONLY) (FOOT
48	CONTACTOR Cat #: 38393 Model/Part #: P-8-7736	1	"#2-3PDT,24V(460,575V & INTL UNITS ONLY)
50	HOLDER-FUSE Cat #: 99C32 Model/Part #: 99C3201	1	(INTL ONLY) (FOOTNOTE 1)
52	PROTECTOR-MOTOR Cat #: 10G75 Model/Part #: 10G7501	1	24V (FOOTNOTE 1)
57	BAR-BUSS Cat #: LB-24264 Model/Part #: LB-24264	1	(INTL ONLY) (FOOTNOTE 1)
58	BUSHING-SNAP Cat #: 86012 Model/Part #: P-8-7101	1	"1/2""ID FOR 1"" OPENING"
59	BUSHING-SNAP Cat #: 57C55 Model/Part #: P-8-8920	1	"1-1/8""ID FOR 1-1/2"" OPENING (FOOTNOTE
60	BUSHING Cat #: 76724 Model/Part #: P-8-8666	1	"1-3/8""ID FOR 1-3/4"" OPENING (FOOTNOTE
62	TRANSFORMER Cat #: 13H28 Model/Part #: 14B5501	1	"208-230V PRI,24V SEC,70VA W/FUSE (FOOT
62	TRANSFORMER Cat #: 99C10 Model/Part #: 99C1001	1	"240V PRI,24V SEC,60VA L/FUSE (INTL ONLY
62	TRANSFORMER Cat #: 66573 Model/Part #: P-8-1306	1	"440V PRI,24V SEC,50VA W/FUSE (FOOTNOTE
62	TRANSFORMER Cat #: 67064 Model/Part #: P-8-2153	1	"550V PRI,24V SEC,50VA W/FUSE (FOOTNOTE
63	CAPACITOR-FAN MTR Cat #: 53H06 Model/Part #: 96C4301	2	"15MFD,370VAC(440,575V & INTL UNITS ONLY

Callout	Name	Quantity	Description
63	CAPACITOR-FAN MTR Cat #: 96C44 Model/Part #: 96C4401	2	"20MFD,370VAC(208-230V UNITS ONLY)"
64	BLOCK-FUSE Cat #: 10G59 Model/Part #: 10G5901	1	"2POLE(208-230 & 440V UNITS ONLY) (FOOT
66	CONTROL-TIMED OFF Cat #: 32F21 Model/Part #: LB-50709BA	1	(FOOTNOTE 1)
67	BUSHING Cat #: P-8-5809 Model/Part #: P-8-5809	1	"1-5/8""ID FOR 2-1/8"" OPENING (FOOTNOTE
68	COVER Cat #: 62G58 Model/Part #: LB-54421CA	1	"FUSEBLOCK(208-230/440V UNITS ONLY) (FO

COOLING PARTS

Callout	Name	Quantity	Description
	HEATER-CRANKCASEINTERNAL Cat #: Model/Part #:	1	
	P-TRAP Cat #: 10G34 Model/Part #: 10G3401	1	(OPTIONAL)
	MOUNT PKG-COMP Cat #: 27G32 Model/Part #: 27G3201PR	1	MOUNT PKG-COMP
	HEATER-CRANKCASE Cat #: 48G84 Model/Part #: 48G8401	1	EXTERNAL(208/230V)
	HEATER-CRANKCASE Cat #: 48G85 Model/Part #: 48G8501	1	EXTERNAL(460V & 380/420V)
	HEATER-CRANKCASE Cat #: 48G86 Model/Part #: 48G8601	1	EXTERNAL(575V)
	SHIELD-RAIN Cat #: 53F18 Model/Part #: 53F1801	2	PART OF FAN MOTOR
	BLOCK-TERMINAL Cat #: 88C67 Model/Part #: 88C6701	1	MAKEUP BOX(INTL ONLY)
	BLOCK-TERMINAL	1	MAKEUP BOX(INTL ONLY)

Callout	Name	Quantity	Description
	Cat #: LB-50786D Model/Part #: LB-50786D		
	CONNECTOR Cat #: 83C58 Model/Part #: P-8-10389	1	MAKEUP BOX
	CAP-SEAL Cat #: 66817 Model/Part #: P-8-1401	2	LIQUID LINE
	VALVE CORE Cat #: 66820 Model/Part #: P-8-1897	2	LIQUID LINE
	CAP-SEAL Cat #: 58114 Model/Part #: P-8-3187	2	LIQUID LINE
20	COIL-OUTDOOR Cat #: 29G17 Model/Part #: LB-80733AAY	1	"LEFT FROM FRONT,W/MANIFOLD"
21	COIL-OUTDOOR Cat #: 29G18 Model/Part #: LB-80733ABA	1	"RIGHT FROM FRONT,W/MANIFOLD"
23	DISTRIBUTOR Cat #: 23G60 Model/Part #: 23G6001	1	"DISCHARGE LINE,L/TUBES"
26	SWITCH-HI PRESS Cat #: 86H31 Model/Part #: 86H3101	1	CUTOUT 410PSIG
30	VALVE-SERVICE Cat #: 65G05 Model/Part #: 73A0501	1	"LIQUID LINE,7/8""
31	VALVE-SERVICE Cat #: 10G58 Model/Part #: 10G5801	1	"SUCTION LINE,1-5/8""
33	SWITCH-LO PRESS Cat #: 11G09 Model/Part #: 11G0901	1	"CUTIN 55PSIG,CUTOUT 25PSIG"
35	DRIER Cat #: 52A16 Model/Part #: 52A1601	1	DRIER
40	FAN Cat #: 11G39 Model/Part #: 11G3901	2	"5/8""BORE,24""DIA,4 BLADES"
40	FAN Cat #: 16F19 Model/Part #: 16F1901	2	"1/2"" BORE,24""DIA,4 BLADES (INTL ONLY)
41	SHIELD-RAIN Cat #: 32621 Model/Part #: P-8-6142	2	(INTL ONLY)

Callout	Name	Quantity	Description
41	SHIELD-RAIN Cat #: 60814 Model/Part #: P-8-6148	2	SHIELD-MOTOR
42	MOTOR-FAN Cat #: 40C98 Model/Part #: 40C9801	2	"1/2HP,900RPM,380-420/50/1 (INTL ONLY)"
42	MOTOR-FAN Cat #: 88C73 Model/Part #: 88C7301	2	"1HP,1080RPM,460/60/1"
42	MOTOR-FAN Cat #: 88C74 Model/Part #: 88C7401	2	"1HP,1080RPM,230/60/1"
42	MOTOR-FAN Cat #: 88C76 Model/Part #: 88C7601	2	"1HP,1080RPM,575/60/1"
43	MOUNT-MOTOR Cat #: 63K64 Model/Part #: 63K6401	2	"13-11/16"" HT"
45	COMPRESSOR Cat #: 68F7701 Model/Part #: 68F7701	1	"20TON,208-230/60/3,LENNOX"
45	COMPRESSOR Cat #: 68F7801 Model/Part #: 68F7801	1	"20TON,460/60/3,LENNOX"
45	COMPRESSOR Cat #: 68F7901 Model/Part #: 68F7901	1	"20TON,575/60/3,LENNOX"

Note:

Note1: IF A DASH 1 OR 2 HAS BEEN UP-DATED WITH A BRISTOL 2-SPEED COMPRESSOR, THIS UP-DATES THE UNIT TO A DASH 3. FOR ALL REPAIR PARTS, SEE DASH 3 IN THE REPAIR PARTS HANDBOOK.