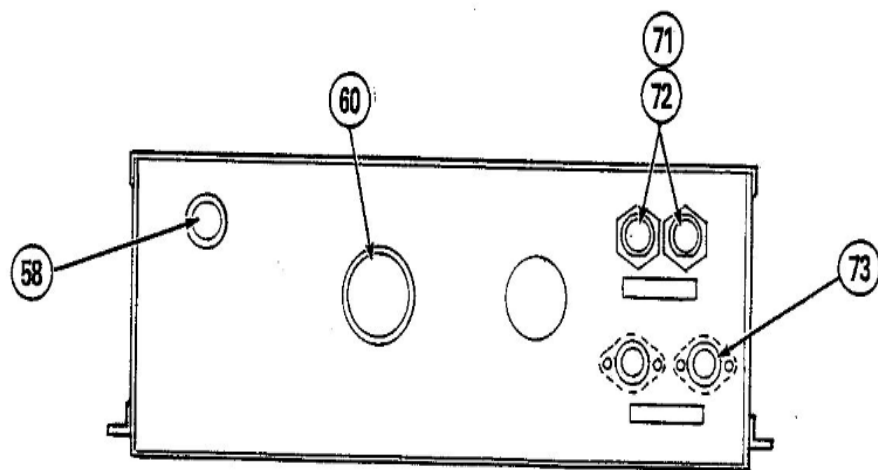
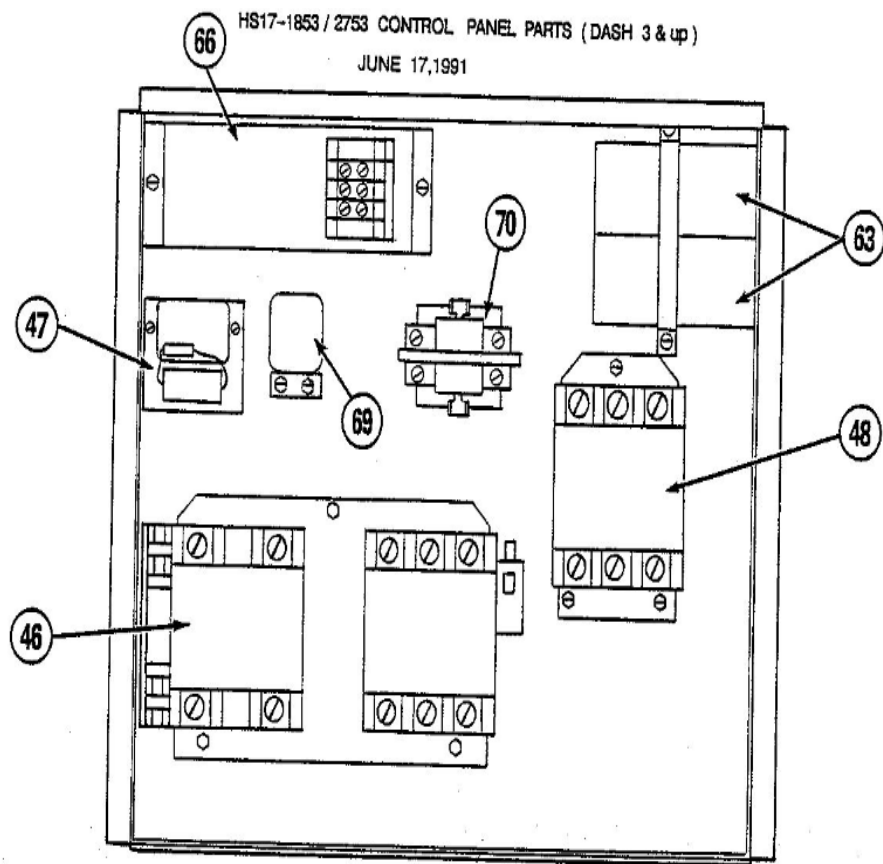


HS17-1853 / 2753 CONTROL PANEL PARTS (DASH 3 & up)

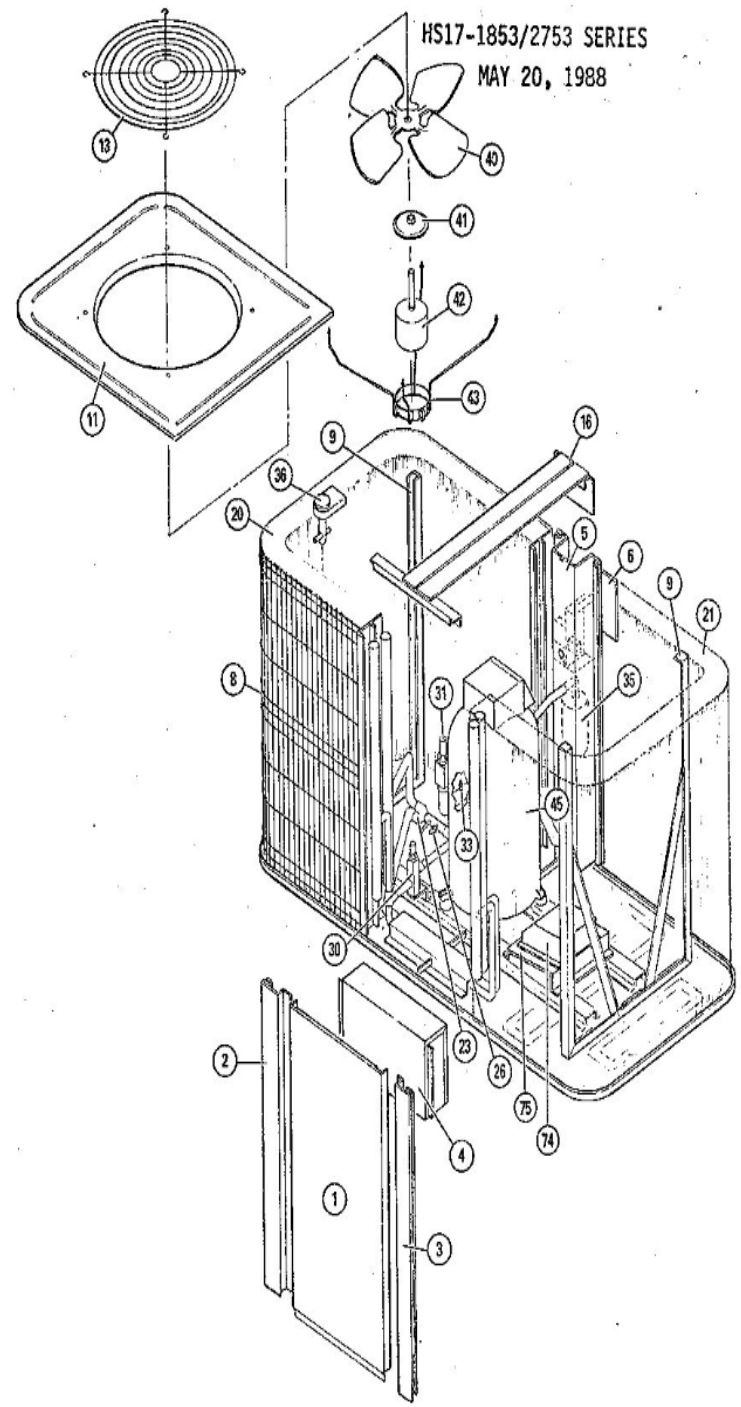
JUNE 17, 1991



BOTTOM VIEW

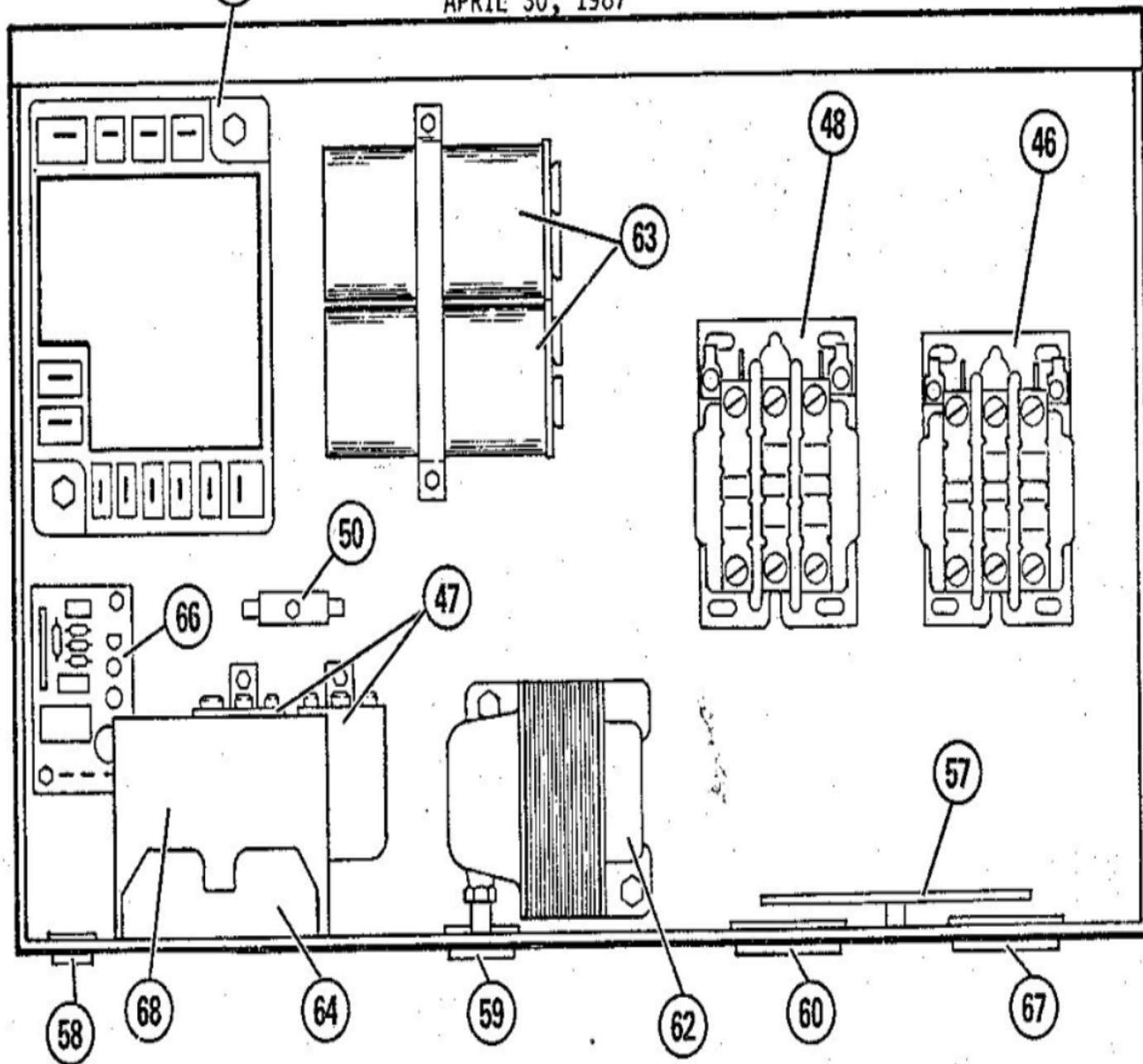


HS17-1853/2753 SERIES
MAY 20, 1988



HS17-1853/2753 CONTROL PANEL PARTS (DASH 1 & 2)

APRIL 30, 1987



+ - ↻



Revision Number - 3

*OPTIONAL PARTS-FIELD INSTALLED

Callout	Name	Quantity	Description
	RELAY Cat #: 20G5501 Model/Part #: 20G5501	1	RELAY
	THERMOSTAT Cat #: 43C78 Model/Part #: 43C7801	1	THERMOSTAT
	CONTROL-TIMED OFF Cat #: 51A95 Model/Part #: 51A9501	1	TIMER-DELAY
	VALVE-GAS Cat #: 86G8201 Model/Part #: 86G8201	1	SOLENOID
	TEE Cat #: 87071 Model/Part #: P-8-10569	1	SCHRADER DEPRESSOR
	NUT Cat #: 59498 Model/Part #: P-8-1218	2	FLARE
	KNOB-DIAL Cat #: 6882 Model/Part #: P-8-3096	1	FOR THERMOSTAT
	CAP-SEAL Cat #: 58114 Model/Part #: P-8-3187	1	CAP, BRASS
	FITTING Cat #: 59784 Model/Part #: P-8-4934	2	STRAIN RELIEF
	SWITCH-LO PRESS Cat #: 68493 Model/Part #: P-8-6383	1	"IN 285PSIG,OUT 140PSIG"

CABINET PARTS

Callout	Name	Quantity	Description
	NUT Cat #: 66A03 Model/Part #: 66A0301	8	DISCHARGE GRILLE
1	PANEL Cat #: 40G94 Model/Part #: LB-53338C	1	FRONT
2	MULLION Cat #: 68K97 Model/Part #: LB-50146CE	1	FRONT-LEFT

Callout	Name	Quantity	Description
3	MULLION Cat #: 68K96 Model/Part #: LB-50145CE	1	FRONT-RIGHT
4	COVER-CONTROL BOX Cat #: LB-58118D Model/Part #: LB-58118D	1	CONT.BOX COVER
5	MULLION Cat #: LB-53207CE Model/Part #: LB-53207CE	1	REAR
6	COVER Cat #: 15J11 Model/Part #: LB-53204D	1	MAKEUP BOX
8	GUARD-OUTDOOR COIL Cat #: 74G89 Model/Part #: LB-53200C	2	GUARD-COIL
9	SUPPORT-COIL Cat #: LB-78522DA Model/Part #: LB-78522DA	2	SUPPORT-COIL
11	PANEL Cat #: 41G20 Model/Part #: LB-53307C	2	ORIFICE-TOP
13	GRILLE-DISCHARGE Cat #: 63K60 Model/Part #: 63K6001	2	GRILLE-DISCHARGE
16	CHANNEL Cat #: 41G19 Model/Part #: LB-53337CA	1	TOP CENTER

CONTROL PANEL PARTS

Callout	Name	Quantity	Description
	FUSE Cat #: 27H11 Model/Part #: 27H1101	2	"FNQ TYPE,12AMP,500V(208- 230V UNITS ONLY
	BAR-BUSS Cat #: LB-24264 Model/Part #: LB-24264	1	(INTL ONLY)
	RESISTOR Cat #: 34G13 Model/Part #: LB-54317DB	1	500 OHMS
	PLATE-PATCH Cat #: LB-58316D Model/Part #: LB- 58316D	1	(460V & 575V UNITS ONLY)
46	CONTACTOR-COMPR Cat #: 93A78 Model/Part #: 93A7801	1	"LO-SPEED,3PDT,120V (W/AUX INTERLOCK)"

Callout	Name	Quantity	Description
47	RELAY Cat #: 11G73 Model/Part #: 11G7301	1	"CONTROL-#1,SPDT,24V"
48	CONTACTOR-COMPR Cat #: 93A76 Model/Part #: 93A7601	1	"HI-SPEED,3PDT,120V (460,575V & INTL UNI
48	CONTACTOR-COMPR Cat #: 93A77 Model/Part #: 93A7701	1	"HI-SPEED,3PDT,240V (208-230V UNITS ONLY
58	BUSHING-SNAP Cat #: 86012 Model/Part #: P-8-7101	1	"1/2""ID FOR 1"" OPENING"
60	BUSHING Cat #: 76724 Model/Part #: P-8-8666	2	"1-3/8""ID FOR 1-3/4"" OPENING (460V & 5
63	CAPACITOR Cat #: 53H05 Model/Part #: 96C4201	2	"12.5MFD,370VAC(575 & INTL UNITS ONLY)"
63	CAPACITOR-FAN MTR Cat #: 96C44 Model/Part #: 96C4401	2	"20MFD,370VAC(208- 230 & 440V UNITS ONLY)
66	KIT Cat #: 70C03 Model/Part #: LB-33721BA	1	CONTROL-TIMED OFF SA (SEE BASIC TEXT)
69	RELAY Cat #: 20G51 Model/Part #: 20G5101	1	"CONTROL-#2,3PDT,24V"
70	CONTACTOR Cat #: 18F79 Model/Part #: 18F7901	1	"FAN MOTOR- DPDT,110/120V"
71	HOLDER Cat #: 89F02 Model/Part #: 89F0201	1	(INTL ONLY)
72	FUSE Cat #: 54G0301 Model/Part #: 54G0301	2	"KTK TYPE,1 AMP,600V (575V UNITS ONLY)"
72	FUSE Cat #: 64F73 Model/Part #: 64F7301	2	"FNQ TYPE,3.15AMP,500V (208-230V UNITS O
72	FUSE Cat #: 84F40 Model/Part #: 84F4001	1	"FNQ TYPE,1.5AMP,500V(INTL)"
73	HOLDER-FUSE Cat #: 12B52 Model/Part #: 12B5201	2	(208-230V UNITS ONLY)

COOLING PARTS

Callout	Name	Quantity	Description
	HEATER-CRANKCASEEXTERNAL Cat #: Model/Part #:	1	
	P-TRAP Cat #: 10G34 Model/Part #: 10G3401	1	(OPTIONAL)
	PROTECTOR-MOTOR Cat #: 48G23 Model/Part #: 48G2301	1	USED W/BRISTOL COMPRESSOR
	MOUNT PKG-COMP Cat #: 70G50 Model/Part #: 70G5001PR	1	MOUNT PKG-COMP
	BLOCK-TERMINAL Cat #: 88C67 Model/Part #: 88C6701	1	MAKEUP BOX(INTL ONLY)
	BLOCK-TERMINAL Cat #: LB-50786D Model/Part #: LB-50786D	1	MAKEUP BOX(INTL ONLY)
	CONNECTOR Cat #: 83C58 Model/Part #: P-8-10389	1	MAKEUP BOX
	CAP-SEAL Cat #: 66817 Model/Part #: P-8-1401	2	SUCTION LINE
	VALVE CORE Cat #: 66820 Model/Part #: P-8-1897	2	LIQUID LINE
	CAP-SEAL Cat #: 58114 Model/Part #: P-8-3187	1	SUCTION LINE
20	COIL-OUTDOOR Cat #: 74G94 Model/Part #: LB-80733ABW	1	"LEFT FROM FRONT,W/MANIFOLD"
21	COIL-OUTDOOR Cat #: 74G95 Model/Part #: LB-80733ABX	1	"RIGHT FROM FRONT,W/MANIFOLD"
23	DISTRIBUTOR	1	"DISCHARGE LINE,L/TUBES"

Callout	Name	Quantity	Description
	Cat #: 10G80 Model/Part #: 10G8001		
26	SWITCH-HI PRESS Cat #: 86H31 Model/Part #: 86H3101	1	CUTOUT 410PSIG
30	VALVE-SERVICE Cat #: 65G05 Model/Part #: 73A0501	1	"LIQUID LINE,7/8""
31	VALVE-SERVICE Cat #: 38397 Model/Part #: P-8- 3480	1	"ROTALOCK,1-5/8""
33	SWITCH-LO PRESS Cat #: 11G09 Model/Part #: 11G0901	1	"CUTIN 55PSIG,CUTOUT 25PSIG"
35	DRIER Cat #: 52A16 Model/Part #: 52A1601	1	DRIER
40	FAN Cat #: 16C01 Model/Part #: 16C0101	2	"1/2""BORE,24""DIA,4 BLADES"
41	SHIELD-RAIN Cat #: 32621 Model/Part #: P-8- 6142	2	SHIELD, MOTOR
42	MOTOR-FAN Cat #: 16F20 Model/Part #: 16F2001	2	"3/4HP,1060RPM,208- 230/60/1(FOOTNOTE 1)"
42	MOTOR-FAN Cat #: 16F21 Model/Part #: 16F2101	2	"3/4HP,1060RPM,460/60/1"
42	MOTOR-FAN Cat #: 16F22 Model/Part #: 16F2201	2	"3/4HP,1060RPM,575/60/1"
42	MOTOR-FAN Cat #: 40C98 Model/Part #: 40C9801	2	"1/2HP,900RPM,380-420/50/1 (INTL ONLY)"
43	MOUNT-MOTOR Cat #: 63K64 Model/Part #: 63K6401	2	"13-11/16"" HT"
45	COMPRESSOR	1	"15TON,200-

Callout	Name	Quantity	Description
	Cat #: 48G18 Model/Part #: 48G1801		230/60/3,BRISTOL"
45	COMPRESSOR Cat #: 48G19 Model/Part #: 48G1901	1	"15TON,460/60/3 & 380-415/50/3,BRISTOL"
45	COMPRESSOR Cat #: 48G20 Model/Part #: 48G2001	1	"15TON,575/60/3,BRISTOL"
74	TRANSFORMER Cat #: 20C68 Model/Part #: 20C6801	1	"240/480VPRI,120/24OVSEC, 250VA,L/FUSE(2
74	TRANSFORMER Cat #: 20C69 Model/Part #: 20C6901	1	"600VPRI,120/24OVSEC,250VA, L/FUSE(575V
75	BRACKET Cat #: LB-58308DA Model/Part #: LB-58308DA	1	TRANSFORMER MTG

Note:

Note1: IF A DASH 1 OR 2 HAS BEEN UP-DATED WITH A BRISTOL 2-SPEED COMPRESSOR, THIS UP-DATES THE UNIT TO A DASH 3. FOR ALL REPAIR PARTS, SEE DASH 3 IN THE REPAIR PARTS HANDBOOK. Note2: NEW FAN BLADE 16C0101 SHOULD BE ORDERED WHEN 16F2001 MOTOR IS REPLACED.