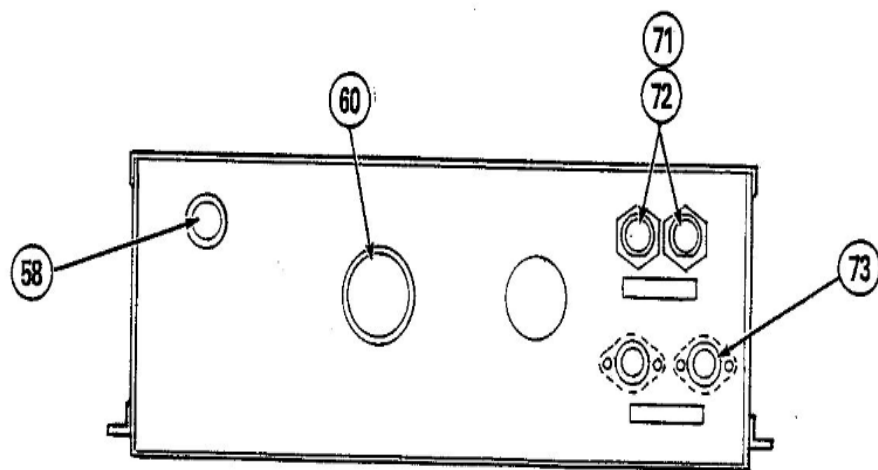
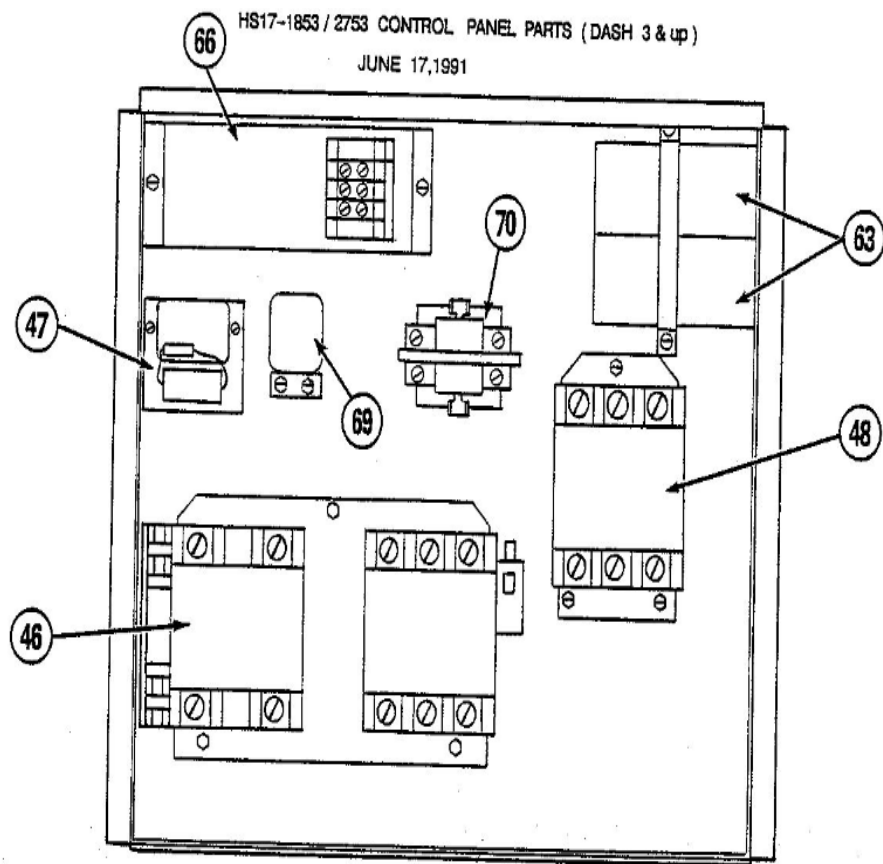


HS17-1853 / 2753 CONTROL PANEL PARTS (DASH 3 & up)

JUNE 17, 1991

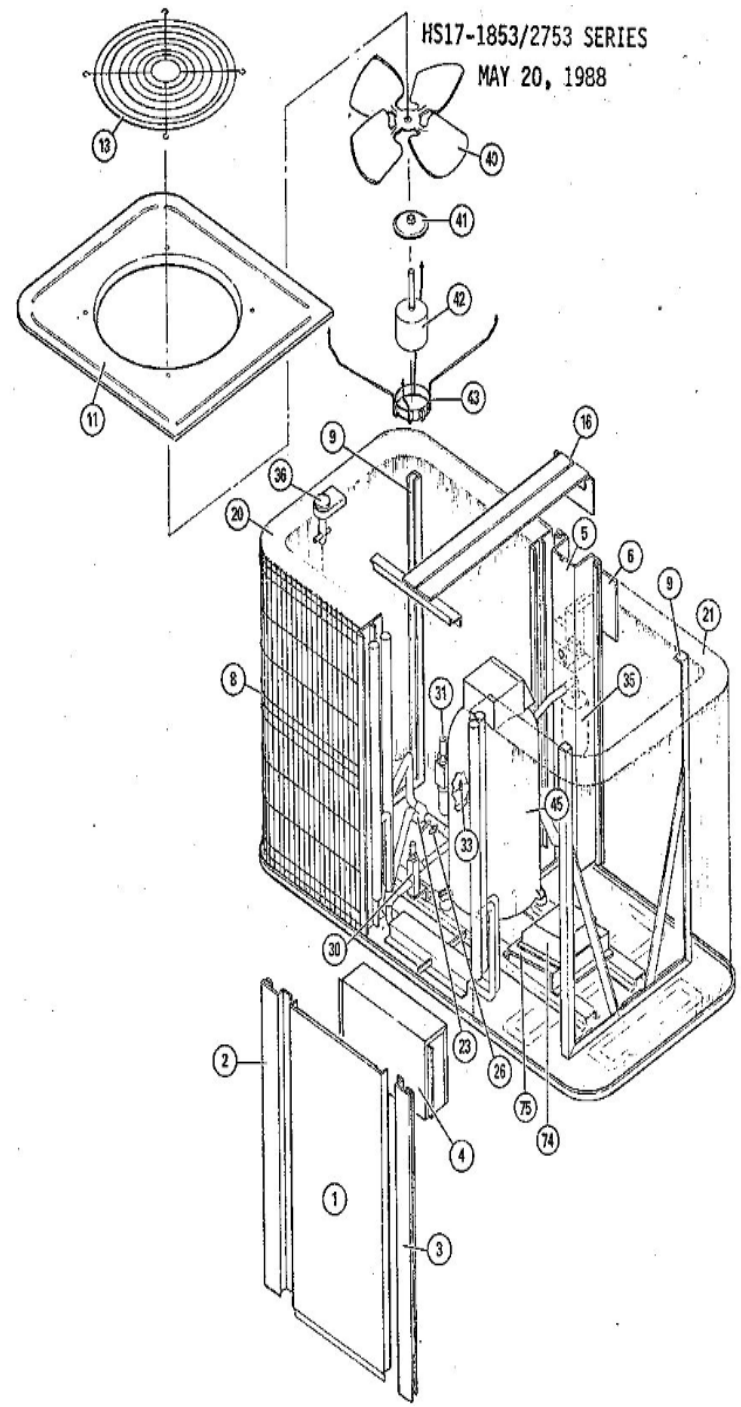


BOTTOM VIEW



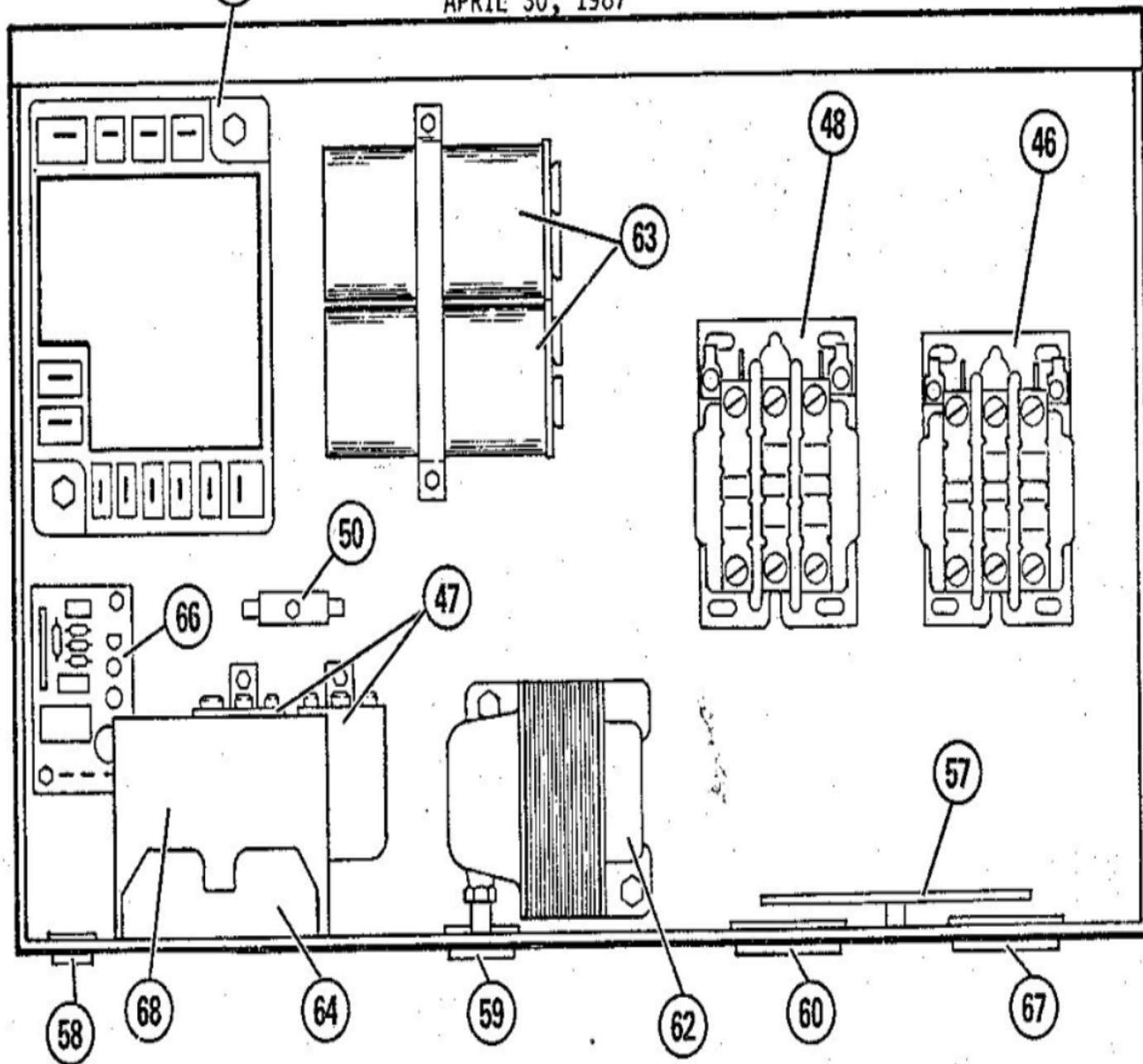
HS17-1853/2753 SERIES

MAY 20, 1988



HS17-1853/2753 CONTROL PANEL PARTS (DASH 1 & 2)

APRIL 30, 1987



Revision Number - 2

*OPTIONAL PARTS-FIELD INSTALLED

Callout	Name	Quantity	Description
	THERMOSTAT Cat #: 43C78 Model/Part #: 43C7801	1	THERMOSTAT
	RELAY Cat #: 48G94 Model/Part #: 48G9401	1	RELAY
	CONTROL-TIMED OFF Cat #: 51A95 Model/Part #: 51A9501	1	TIMER-DELAY
	VALVE-GAS Cat #: 86G8201 Model/Part #: 86G8201	1	SOLENOID
	TEE Cat #: 87071 Model/Part #: P-8-10569	1	SCHRADER DEPRESSOR
	NUT Cat #: 59498 Model/Part #: P-8-1218	2	FLARE
	KNOB-DIAL Cat #: 6882 Model/Part #: P-8-3096	1	FOR THERMOSTAT
	CAP-SEAL Cat #: 58114 Model/Part #: P-8-3187	1	CAP, BRASS
	FITTING Cat #: 59784 Model/Part #: P-8-4934	2	STRAIN RELIEF
	SWITCH-LO PRESS Cat #: 68493 Model/Part #: P-8-6383	1	"IN 285PSIG,OUT 140PSIG"

CABINET PARTS

Callout	Name	Quantity	Description
	NUT Cat #: 66A03 Model/Part #: 66A0301	8	DISCHARGE GRILLE
1	PANEL Cat #: 40G94 Model/Part #: LB-53338C	1	FRONT
2	MULLION Cat #: LB-50146CC Model/Part #: LB-50146CC	1	FRONT-LEFT

Callout	Name	Quantity	Description
3	MULLION Cat #: LB-50145CC Model/Part #: LB-50145CC	1	FRONT-RIGHT
4	COVER-CONTROL BOX Cat #: LB-52135D Model/Part #: LB-52135D	1	CONT.BOX COVER
5	MULLION Cat #: LB-53207CE Model/Part #: LB-53207CE	1	REAR
5	MULLION Cat #: LB-53207CF Model/Part #: LB-53207CF	1	REAR(INTL ONLY)
6	COVER Cat #: 15J11 Model/Part #: LB-53204D	1	MAKEUP BOX
8	GUARD-OUTDOOR COIL Cat #: 74G89 Model/Part #: LB-53200C	2	GUARD-COIL
9	SUPPORT-COIL Cat #: LB-78522DA Model/Part #: LB-78522DA	2	SUPPORT-COIL
11	PANEL Cat #: 41G20 Model/Part #: LB-53307C	2	ORIFICE-TOP
13	GRILLE-DISCHARGE Cat #: 63K60 Model/Part #: 63K6001	2	GRILLE-DISCHARGE
16	CHANNEL Cat #: 41G19 Model/Part #: LB-53337CA	1	TOP CENTER

CONTROL PANEL PARTS

Callout	Name	Quantity	Description
	FUSE Cat #: 10G61 Model/Part #: 10G6101	2	"KTK TYPE,12AMP,600V(208- 230V UNITS ONLY
	FUSE Cat #: 99C09 Model/Part #: 99C0901	1	"TRANS-GMA TYPE,3.15AMP,250V (INTL ONLY)
	FUSE Cat #: 66247 Model/Part #: P-8-1674	1	"C TYPE,2.5AMP,250V (FOOTNOTE 2)"
46	CONTACTOR Cat #: 68655 Model/Part #: P-8-7726	1	"#2-3PDT,24V(208- 230V UNITS ONLY)

Callout	Name	Quantity	Description
			(FOOT
46	CONTACTOR Cat #: 38393 Model/Part #: P-8-7736	1	"#1- 3PDT,24V(460,575V & INTL UNITS ONLY)
47	RELAY Cat #: 87333 Model/Part #: P-8-10665	2	"SPDT,24V (FOOTNOTE 2)"
48	CONTACTOR Cat #: 38113 Model/Part #: P-8-7716	1	"#1-3PDT,24V(208- 230V UNITS ONLY) (FOOT
48	CONTACTOR Cat #: 38393 Model/Part #: P-8-7736	1	"#1- 3PDT,24V(460,575V & INTL UNITS ONLY)
50	HOLDER-FUSE Cat #: 99C32 Model/Part #: 99C3201	1	(INTL ONLY) (FOOTNOTE 2)
52	PROTECTOR-MOTOR Cat #: 10G75 Model/Part #: 10G7501	1	24V (FOOTNOTE 2)
57	BAR-BUSS Cat #: LB-24264 Model/Part #: LB-24264	1	(INTL ONLY) (FOOTNOTE 2)
58	BUSHING-SNAP Cat #: 86012 Model/Part #: P-8-7101	1	"1/2""ID FOR 1"" OPENING"
59	BUSHING-SNAP Cat #: 57C55 Model/Part #: P-8-8920	1	"1-1/8""ID FOR 1-1/2"" OPENING (FOOTNOTE
60	BUSHING Cat #: 76724 Model/Part #: P-8-8666	1	"1-3/8""ID FOR 1-3/4"" OPENING"
62	TRANSFORMER Cat #: 13H28 Model/Part #: 75A7901	1	"208-230V PRI,24V SEC,50VA W/FUSE (FOOT
62	TRANSFORMER Cat #: 99C10 Model/Part #: 99C1001	1	"240V PRI,24V SEC,60VA L/FUSE (INTL ONLY
62	TRANSFORMER Cat #: 66573 Model/Part #: P-8-1306	1	"440V PRI,24V SEC,50VA W/FUSE (FOOTNOTE
62	TRANSFORMER Cat #: 67064 Model/Part #: P-8-2153	1	"550V PRI,24V SEC,50VA W/FUSE

Callout	Name	Quantity	Description
			(FOOTNOTE
63	CAPACITOR Cat #: 53H05 Model/Part #: 96C4201	2	"12.5MFD,370VAC(575 & INTL UNITS ONLY)"
63	CAPACITOR-FAN MTR Cat #: 96C44 Model/Part #: 96C4401	2	"20MFD,370VAC(208-230 & 440V UNITS ONLY)
64	BLOCK-FUSE Cat #: 10G59 Model/Part #: 10G5901	1	"2POLE(208-230V UNITS ONLY) (FOOTNOTE 2
66	CONTROL-TIMED OFF Cat #: 32F21 Model/Part #: LB-50709BA	1	(FOOTNOTE 2)
67	BUSHING Cat #: P-8-5809 Model/Part #: P-8-5809	1	"1-5/8""ID FOR 2-1/8"" OPENING (FOOTNOTE
68	COVER Cat #: 62G58 Model/Part #: LB-54421CA	1	"FUSEBLOCK(208-230V UNITS ONLY) (FOOTNO

COOLING PARTS

Callout	Name	Quantity	Description
	HEATER-CRANKCASEINTERNAL Cat #: Model/Part #:	1	
	P-TRAP Cat #: 10G34 Model/Part #: 10G3401	1	(OPTIONAL)
	MOUNT PKG-COMP Cat #: 27G32 Model/Part #: 27G3201PR	1	MOUNT PKG-COMP
	HEATER-CRANKCASE Cat #: 48G84 Model/Part #: 48G8401	1	EXTERNAL(208/230V)
	HEATER-CRANKCASE Cat #: 48G85 Model/Part #: 48G8501	1	EXTERNAL(460V & 380/420V)
	HEATER-CRANKCASE Cat #: 48G86 Model/Part #: 48G8601	1	EXTERNAL(575V)
	PROTECTOR-MOTOR Cat #: 62F24 Model/Part #: 62F2401	1	EXTERNAL

Callout	Name	Quantity	Description
	BLOCK-TERMINAL Cat #: 88C67 Model/Part #: 88C6701	1	MAKEUP BOX(INTL ONLY)
	BLOCK-TERMINAL Cat #: LB-50786D Model/Part #: LB-50786D	1	MAKEUP BOX(INTL ONLY)
	CONNECTOR Cat #: 83C58 Model/Part #: P-8-10389	1	MAKEUP BOX
	CAP-SEAL Cat #: 66817 Model/Part #: P-8-1401	2	SUCTION LINE
	VALVE CORE Cat #: 66820 Model/Part #: P-8-1897	2	SUCTION LINE
	CAP-SEAL Cat #: 58114 Model/Part #: P-8-3187	2	LIQUID LINE
20	COIL-OUTDOOR Cat #: 60G23 Model/Part #: LB-80733ABL	1	"LEFT FROM FRONT,W/MANIFOLD"
21	COIL-OUTDOOR Cat #: 60G24 Model/Part #: LB-80733ABM	1	"RIGHT FROM FRONT,W/MANIFOLD"
23	DISTRIBUTOR Cat #: 10G80 Model/Part #: 10G8001	1	"DISCHARGE LINE,L/TUBES"
26	SWITCH-HI PRESS Cat #: 86H31 Model/Part #: 86H3101	1	CUTOUT 410PSIG
30	VALVE-SERVICE Cat #: 65G05 Model/Part #: 73A0501	1	"LIQUID LINE,7/8""
31	VALVE-SERVICE Cat #: 10G58 Model/Part #: 10G5801	1	"SUCTION LINE,1-5/8""
33	SWITCH-LO PRESS Cat #: 11G09 Model/Part #: 11G0901	1	"CUTIN 55PSIG,CUTOUT 25PSIG"
35	DRIER Cat #: 52A16 Model/Part #: 52A1601	1	DRIER
40	FAN Cat #: 16C01 Model/Part #: 16C0101	2	"1/2""BORE,24""DIA,4 BLADES"
41	SHIELD-RAIN	2	SHIELD, MOTOR

Callout	Name	Quantity	Description
	Cat #: 32621 Model/Part #: P-8-6142		
42	MOTOR-FAN Cat #: 16F20 Model/Part #: 16F2001	2	"3/4HP,1060RPM,208-230/60/1(FOOTNOTE 1)"
42	MOTOR-FAN Cat #: 16F21 Model/Part #: 16F2101	2	"3/4HP,1060RPM,460/60/1"
42	MOTOR-FAN Cat #: 16F22 Model/Part #: 16F2201	2	"3/4HP,1060RPM,575/60/1"
42	MOTOR-FAN Cat #: 40C98 Model/Part #: 40C9801	2	"1/2HP,900RPM,380-420/50/1 (INTL ONLY)"
43	MOUNT-MOTOR Cat #: 63K64 Model/Part #: 63K6401	2	"13-11/16"" HT"
45	COMPRESSOR Cat #: 60F4901 Model/Part #: 60F4901	1	"15TON,200-230/60/3,LENNOX"
45	COMPRESSOR Cat #: 60F5001 Model/Part #: 60F5001	1	"15TON,460/60/3,LENNOX"
45	COMPRESSOR Cat #: 60F5101 Model/Part #: 60F5101	1	"15TON,575/60/3,LENNOX"

Note:

Note1: IF A DASH 1 OR 2 HAS BEEN UP-DATED WITH A BRISTOL 2-SPEED COMPRESSOR, THIS UP-DATES THE UNIT TO A DASH 3. FOR ALL REPAIR PARTS, SEE DASH 3 IN THE REPAIR PARTS HANDBOOK. Note2: NEW FAN BLADE 16C0101 SHOULD BE ORDERED WHEN 16F2001 MOTOR IS REPLACED.