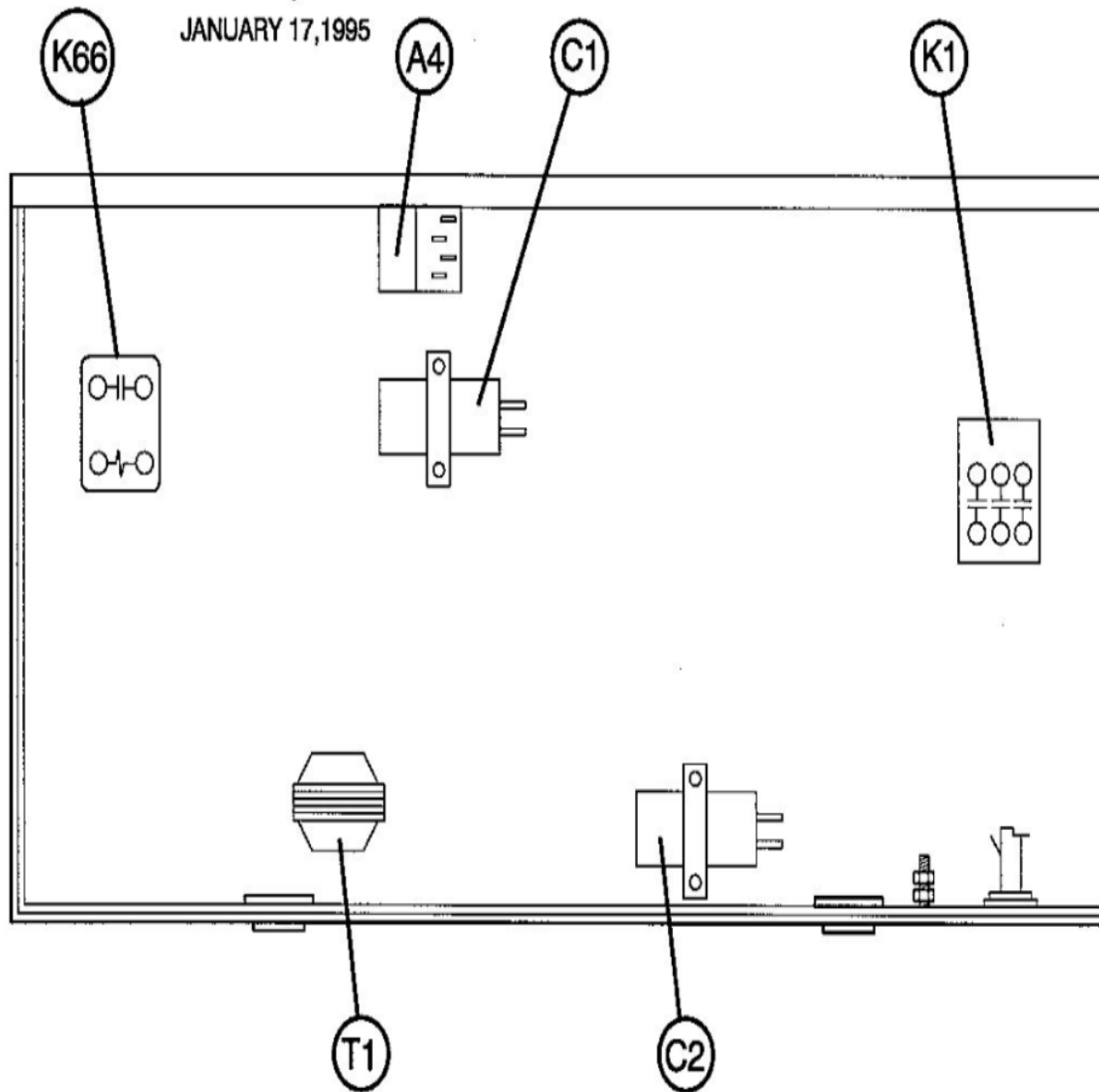


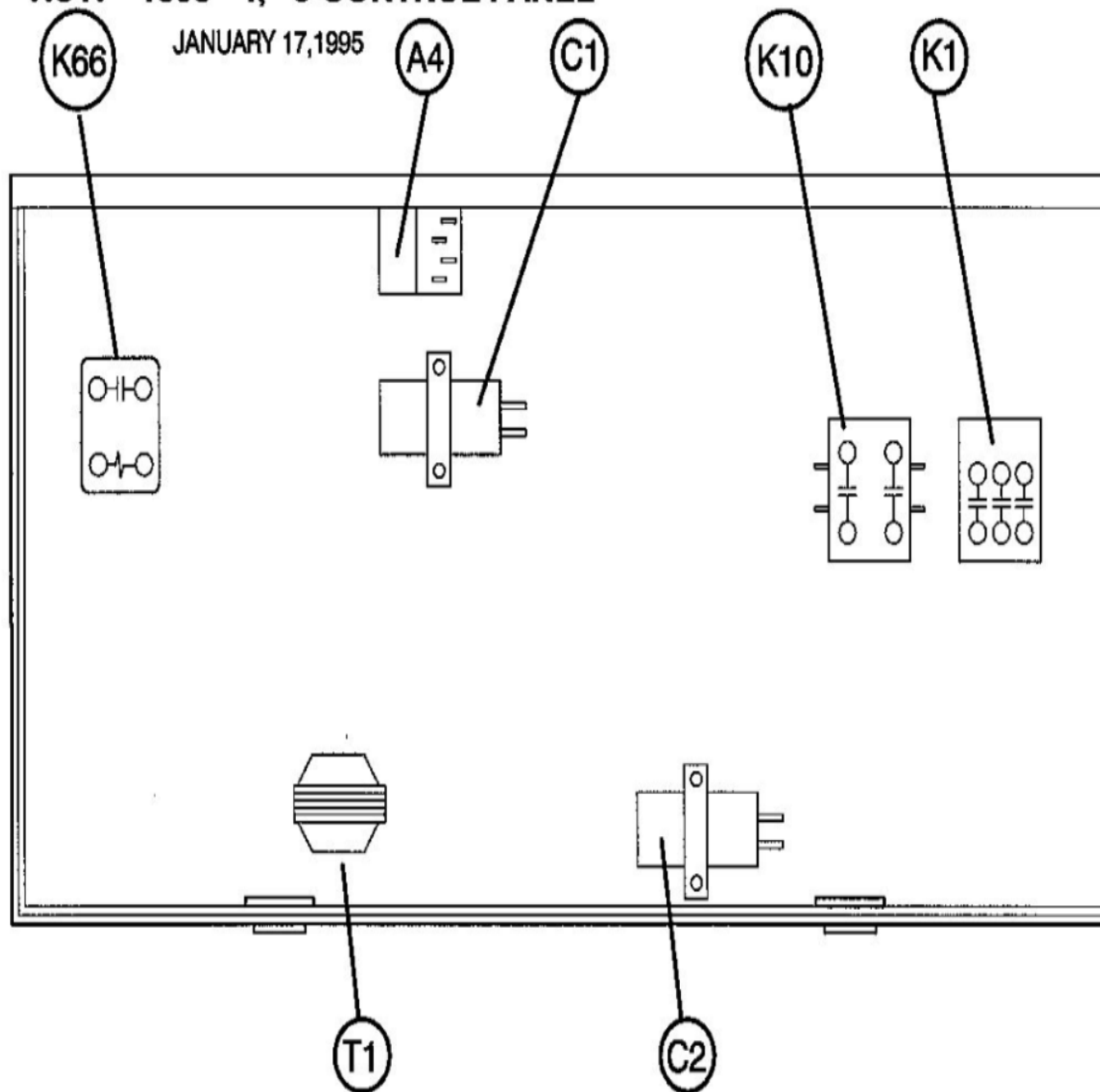
HS17-1353-4M, -5M CONTROL PANEL

JANUARY 17, 1995



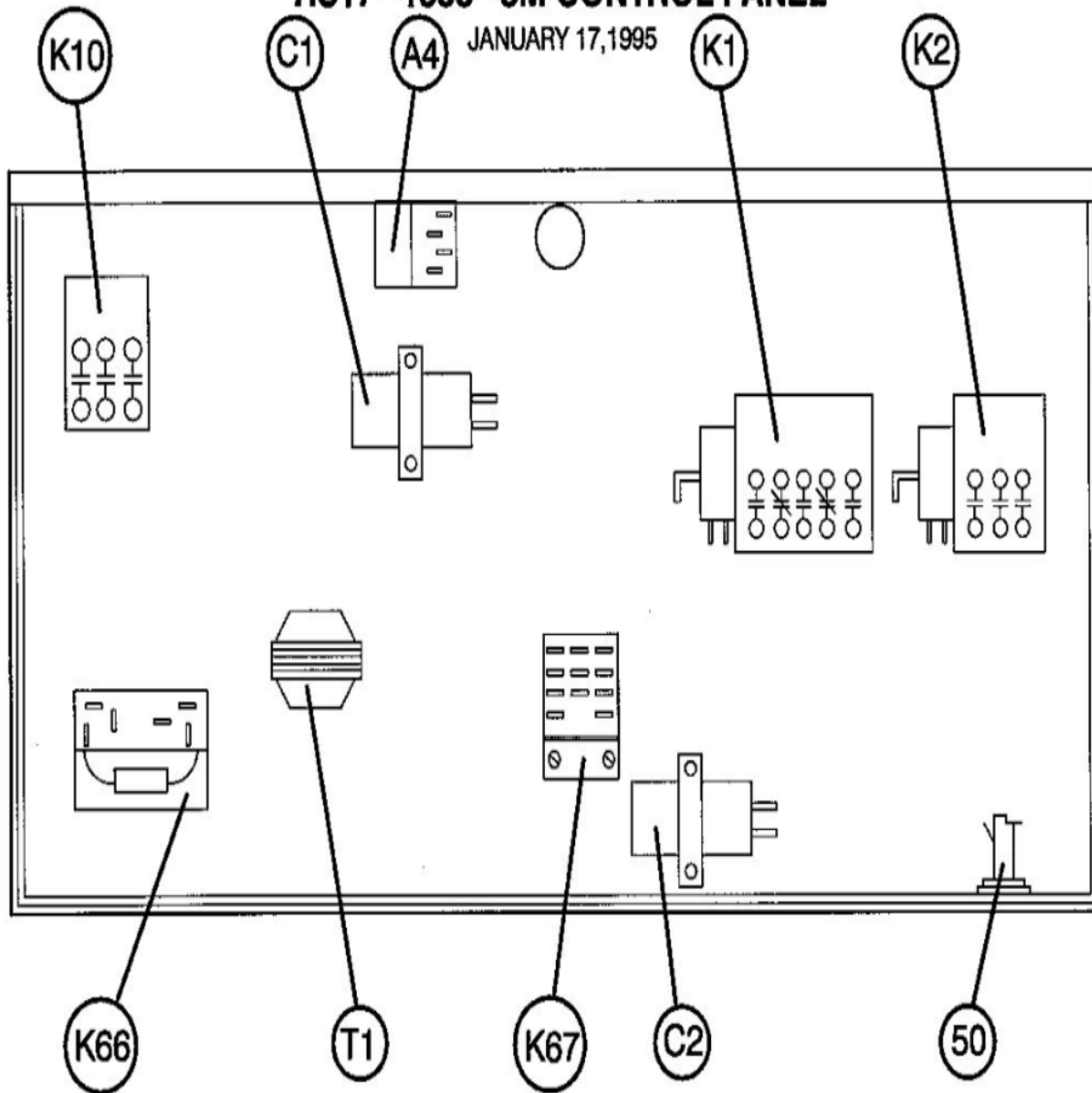
HS17-1353-4,-5 CONTROL PANEL

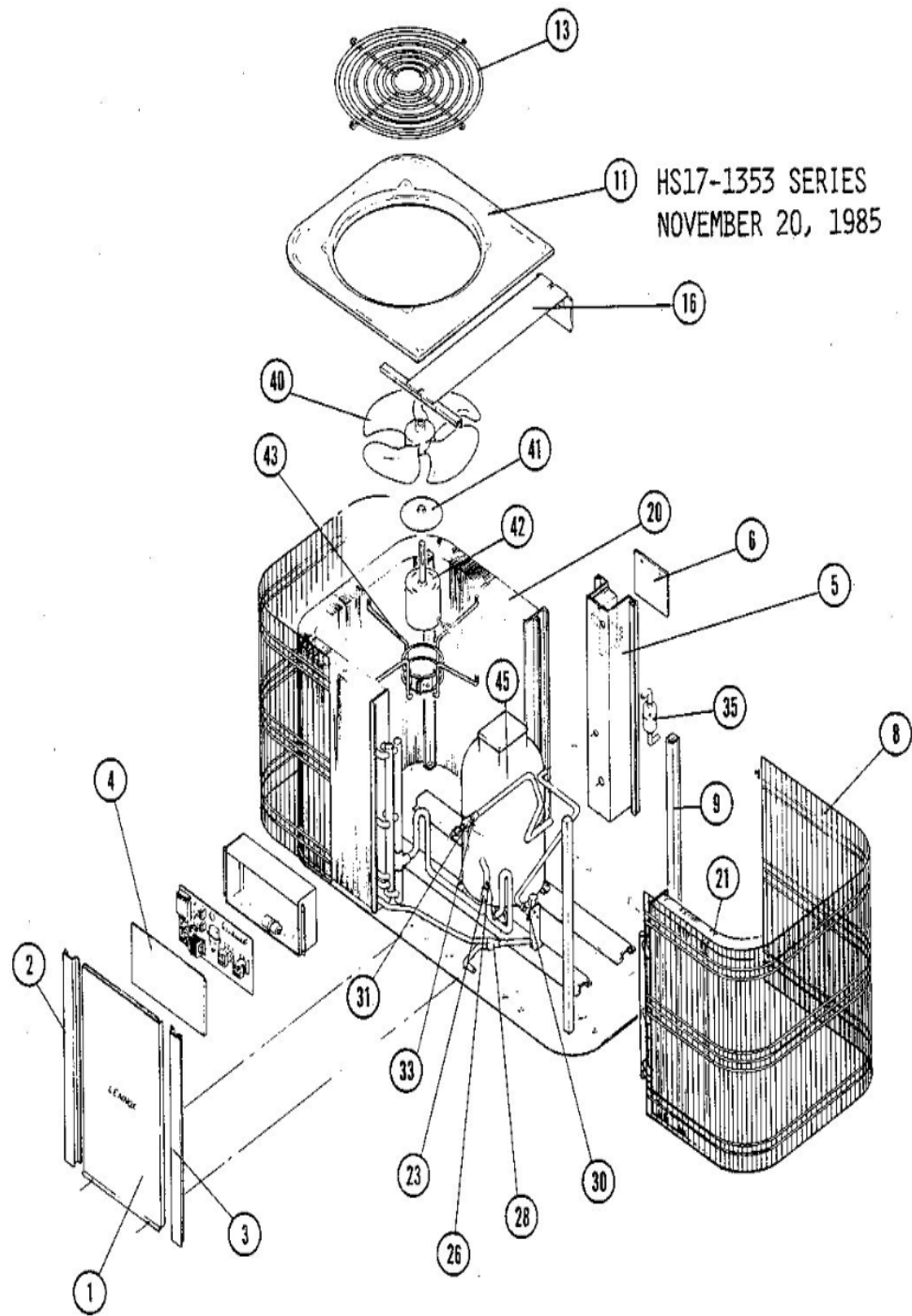
JANUARY 17, 1995



HS17-1353-3M CONTROL PANEL

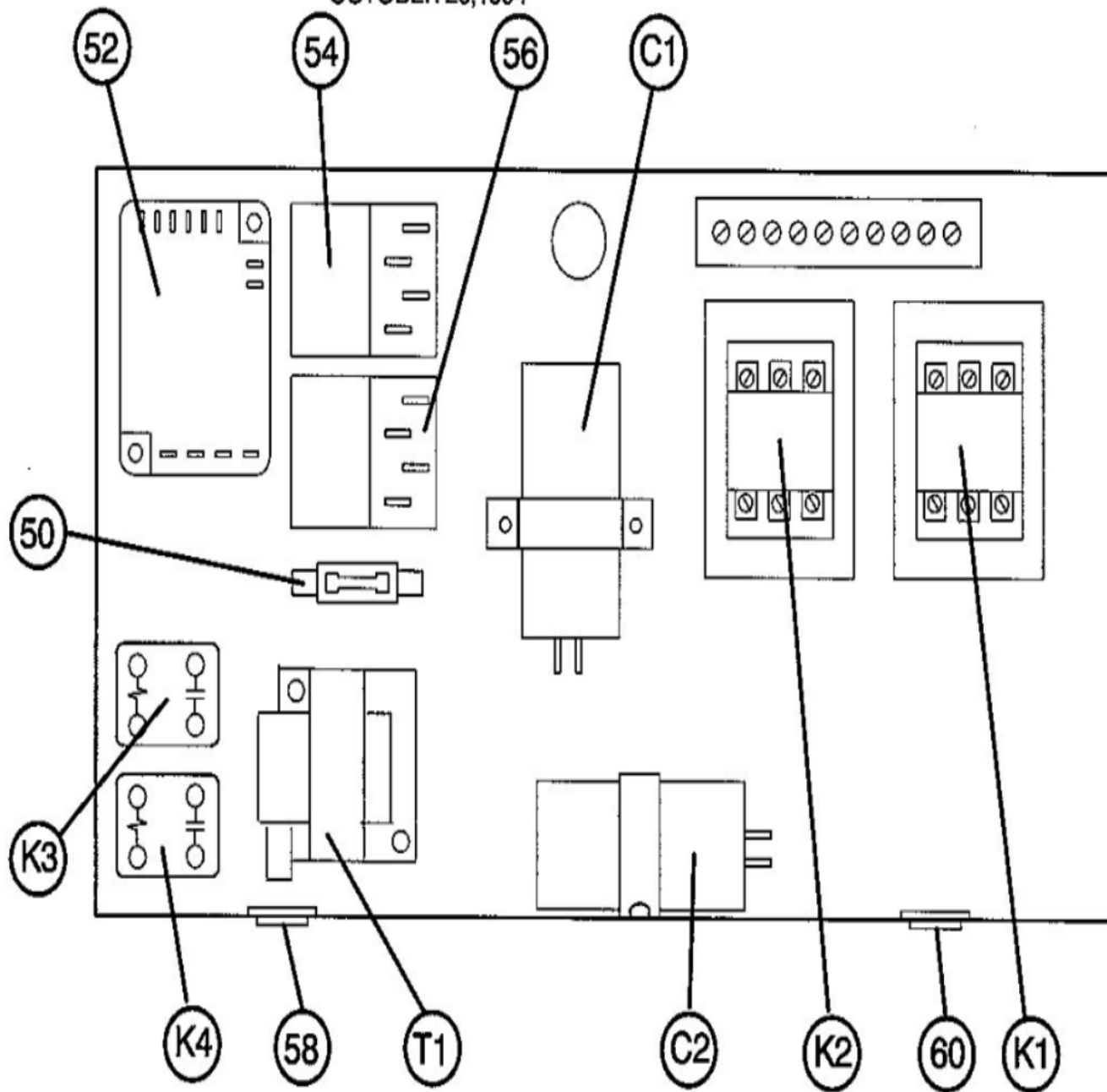
JANUARY 17, 1995





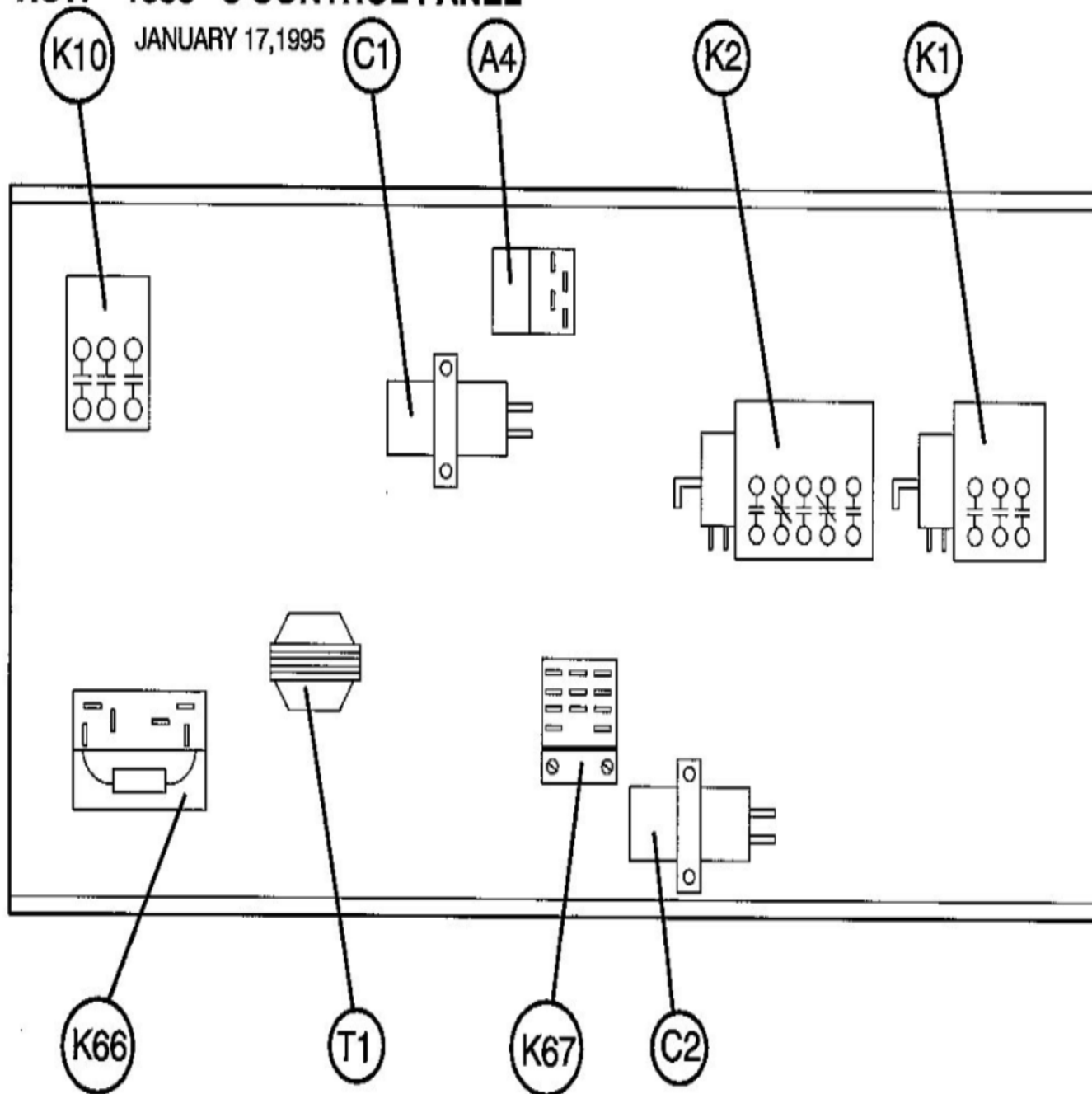
HS17-1353-1 & -2 CONTROL PANEL

OCTOBER 26, 1994



HS17-1353-3 CONTROL PANEL

JANUARY 17, 1995



Revision Number - 1

*OPTIONAL PARTS-FIELD INSTALLED

Callout	Name	Quantity	Description
	HOLDER-FUSE Cat #: 12B52 Model/Part #: 12B5201	1	HOLDER-FUSE
	VALVE-REFRIG Cat #: 19B53 Model/Part #: 19B5301	1	"SOLENOID VALVE- 1/2" X 5/8"
	FUSE Cat #: 27H11 Model/Part #: 27H1101	1	"LINK TYPE,9AMP,500VAC"
	FUSE Cat #: 27H12 Model/Part #: 27H1201	1	"LINK TYPE,20AMP,500VAC"
	FUSE Cat #: 27H13 Model/Part #: 27H1301	1	"LINK TYPE,12AMP,500VAC"
	THERMOSTAT Cat #: 43C78 Model/Part #: 43C7801	1	THERMOSTAT
	THERMOSTAT Cat #: 65C8601 Model/Part #: 65C8601	1	"DEHUMIDISTAT- SPST,24V,50VA"
	COVER-CONTROL BOX Cat #: LB-34831C Model/Part #: LB-34831C	1	COVER
	TEE Cat #: 87071 Model/Part #: P-8-10569	1	SCHRADER DEPRESSOR
	STRIP-TERMINAL Cat #: 66518 Model/Part #: P-8-108	1	TERMINAL BLOCK
	NUT Cat #: 59498 Model/Part #: P-8-1218	2	FLARE
	KNOB-DIAL Cat #: 6882 Model/Part #: P-8-3096	1	FOR THERMOSTAT
	CAP-SEAL Cat #: 58114 Model/Part #: P-8-3187	1	CAP, BRASS
	FITTING Cat #: 59784 Model/Part #: P-8-4934	2	STRAIN RELIEF
	SWITCH-LO PRESS Cat #: 68493 Model/Part #: P-8-6383	1	"IN 285PSIG,OUT 140PSIG"

Callout	Name	Quantity	Description
	RELAY Cat #: 37648 Model/Part #: P-8-6696	1	"SPDT,24V"
	RELAY Cat #: 38276 Model/Part #: P-8-8479	1	"SPDT,24V"
KIT 1	LOW AMBIENT KIT Cat #: LB-57113BB Model/Part #: LB-57113BB	1	LOW AMBIENT KIT - INC NEXT 7 PARTS
KIT 2	LOW AMBIENT KIT Cat #: 24H77 Model/Part #: LB-57113BC	1	LOW AMBIENT KIT - INC NEXT 9 PARTS
KIT 3	LATENT LOAD CONTROL Cat #: 84F37 Model/Part #: LB-31448BA	1	LATENT LOAD CONTROL - INC NEXT 6 PARTS

CABINET PARTS

Callout	Name	Quantity	Description
	NUT Cat #: 66A03 Model/Part #: 66A0301	8	DISCHARGE GRILLE
1	PANEL Cat #: 21G13 Model/Part #: LB-50133C	1	FRONT
2	MULLION Cat #: 21G15 Model/Part #: LB-50146CA	1	FRONT-LEFT
3	MULLION Cat #: 21G14 Model/Part #: LB-50145CA	1	FRONT-RIGHT
4	COVER-CONTROL BOX Cat #: 75G24 Model/Part #: LB-50119D	1	COVER CONT.BOX
5	MULLION Cat #: LB-50115CA Model/Part #: LB-50115CA	1	REAR
5	MULLION Cat #: LB-50115CB Model/Part #: LB-50115CB	1	REAR(INTL ONLY)
6	COVER Cat #: LB-50116D Model/Part #: LB-50116D	1	MAKEUP BOX
8	GUARD-OUTDOOR COIL Cat #: 27G42 Model/Part #: LB-50143C	2	GUARD CONDENSER

Callout	Name	Quantity	Description
9	SUPPORT-COIL Cat #: 35H97 Model/Part #: LB-78523C	4	SUPT-COIL
11	PANEL Cat #: 72F70 Model/Part #: LB-50144C	2	ORIFICE-TOP
13	GRILLE-DISCHARGE Cat #: 63K60 Model/Part #: 63K6001	2	GRILLE-DISCHARGE
16	CHANNEL Cat #: 72F71 Model/Part #: LB-50132CA	1	TOP CENTER

CONTROL PANEL PARTS

Callout	Name	Quantity	Description
	FUSE Cat #: 99C09 Model/Part #: 99C0901	1	"TRANSF-GMA TYPE,3.15AMP,250V (INTL ONLY
	FUSE Cat #: 66247 Model/Part #: P-8- 1674	1	"TRANSF-C TYPE,2.5AMP,250V"
50	HOLDER-FUSE Cat #: 99C32 Model/Part #: 99C3201	1	(INTL ONLY) (FOOTNOTE 2)
52	PROTECTOR-MOTOR Cat #: 28F85 Model/Part #: 28F8501	1	24V (FOOTNOTE 2)
54	CONTROL-TIMED OFF Cat #: 47J27 Model/Part #: 57A7901	1	#1-24VAC (FOOTNOTE 2)
56	CONTROL-TIMED OFF Cat #: 47J27 Model/Part #: 57A7901	1	#1-24VAC (FOOTNOTE 2)
58	BUSHING Cat #: 76724 Model/Part #: P-8- 8666	1	"1-3/8""ID FOR 1-3/4""OPENING"
60	BUSHING-SNAP Cat #: 57C55 Model/Part #: P-8- 8920	1	"1-1/8""ID FOR 1-1/2""OPENING"

Callout	Name	Quantity	Description
C1	CAPACITOR Cat #: 81A39 Model/Part #: 81A3901	1	"7MFD,370VAC"
C2	CAPACITOR Cat #: 81A39 Model/Part #: 81A3901	1	"7MFD,370VAC"
K1	CONTACTOR Cat #: 38393 Model/Part #: P-8-7736	1	"#1-3PDT,24V (FOOTNOTE 2)"
K2	CONTACTOR Cat #: 38393 Model/Part #: P-8-7736	1	"#2-3PDT,24V (FOOTNOTE 2)"
K3	RELAY Cat #: 59510 Model/Part #: P-8-5387	1	"#1-SPST,N.O.,24V (FOOTNOTE 2)"
K4	RELAY Cat #: 59510 Model/Part #: P-8-5387	1	"#2-SPST,N.O.,24V (FOOTNOTE 2)"
T1	TRANSFORMER Cat #: 13H28 Model/Part #: 75A7901	1	"208/230VPRI,24VSEC,50VA W/FUSE (FOOTN
T1	TRANSFORMER Cat #: 99C10 Model/Part #: 99C1001	1	"240VPRI,24VSEC,60VA,NO FUSE (INTL ONLY)
T1	TRANSFORMER Cat #: 66573 Model/Part #: P-8-1306	1	"440VPRI,24VSEC,50VA,W/FUSE (FOOTNOTE 2
T1	TRANSFORMER Cat #: 67064 Model/Part #: P-8-2153	1	"550VPRI,24VSEC,50VA,W/FUSE (CANADIAN ON

COOLING PARTS

Callout	Name	Quantity	Description
	HEATER-CRANKCASEINTERNAL Cat #: Model/Part #:	1	

Callout	Name	Quantity	Description
	O-RING Cat #: 13B49 Model/Part #: 13B4901PR	1	FOR LIQUID LINE SERV VALVE
	MOUNT PKG-COMP Cat #: 27G31 Model/Part #: 27G3101PR	1	MOUNT PKG-COMP
	HEATER-CRANKCASE Cat #: 48G84 Model/Part #: 48G8401	1	EXTERNAL(208/230V-2SPD)
	HEATER-CRANKCASE Cat #: 48G85 Model/Part #: 48G8501	1	"EXTERNAL(460V, 380/420V-2SPD)"
	HEATER-CRANKCASE Cat #: 48G86 Model/Part #: 48G8601	1	EXTERNAL(575V-2SPD)
	P-TRAP Cat #: 62F77 Model/Part #: 62F7701	1	"1-1/8""OD(OPTIONAL)"
	FITTING PRESS TAP Cat #: 86G64 Model/Part #: 86G6401	1	"DISCH LINE,HI PRESS SWITCH"
	BLOCK-TERMINAL Cat #: 88C67 Model/Part #: 88C6701	1	MAKE-UP BOX(INTL ONLY)
	BLOCK-TERMINAL Cat #: LB-50786D Model/Part #: LB-50786D	1	MAKE-UP BOX(INTL ONLY)
	CONNECTOR Cat #: 83C58 Model/Part #: P-8-10389	1	MAKE-UP BOX
	VALVE CORE Cat #: 66820 Model/Part #: P-8-1897	1	LIQUID LINE
	CAP-SEAL Cat #: 58114 Model/Part #: P-8-3187	1	LIQUID LINE
20	COIL-OUTDOOR Cat #: 12G89 Model/Part #: LB-80733AX	1	"LEFT FROM FRONT,W/MANIFOLD"
21	COIL-OUTDOOR Cat #: 14G33 Model/Part #: LB-80733AAP	1	"RIGHT FROM FRONT,W/MANIFOLD"
23	DISTRIBUTOR Cat #: 96C84 Model/Part #: 96C8401	1	"DISCHARGE LINE,L/TUBES"
26	SWITCH-HI PRESS	1	CUTOUT 410PSIG

Callout	Name	Quantity	Description
	Cat #: 86H31 Model/Part #: 86H3101		
28	DISTRIBUTOR Cat #: 36A76 Model/Part #: P-8-11102	1	"LIQUID LINE,L/TUBES"
30	VALVE-SERVICE Cat #: 15F53 Model/Part #: 15F5301	1	"LIQUID LINE,1/2""
31	VALVE-SERVICE Cat #: 23F17 Model/Part #: 23F1701	1	"SUCTION LINE,1-3/8""
33	SWITCH-LO PRESS Cat #: 87265 Model/Part #: P-8-10978	1	"CUTIN 55PSIG,CUTOUT 25PSIG"
35	DRIER Cat #: 69004 Model/Part #: P-8-9623	1	DRIER
40	FAN Cat #: 45C51 Model/Part #: 45C5101	2	"1/2""BORE,24""DIA,4 BLADE"
41	SHIELD-RAIN Cat #: 32621 Model/Part #: P-8-6142	2	SHIELD, MOTOR
42	MOTOR-FAN Cat #: 38F81 Model/Part #: 38F8101	2	"1/4HP,825RPM,575/60/1 (CANADIAN ONLY)"
42	MOTOR-FAN Cat #: 65C81 Model/Part #: 65C8101	2	"1/4HP,825RPM,208- 230/60/1"
42	MOTOR-FAN Cat #: 67C02 Model/Part #: 67C0201	2	"1/4HP,825RPM,460/60/1 (INTL ONLY)"
43	MOUNT-MOTOR Cat #: 63K62 Model/Part #: 63K6201	2	MOUNT-MOTOR BRKT ASSY
45	COMPRESSOR Cat #: 88C2301 Model/Part #: 88C2301	1	"10-1/3TON,200- 230/60/3,LENNOX"
45	COMPRESSOR Cat #: 88C24 Model/Part #: 88C2401	1	"10- 1/3TON,460/60/3,LENNOX"
45	COMPRESSOR Cat #: 88C25 Model/Part #: 88C2501	1	"10- 1/3TON,575/60/3,LENNOX CANADIAN(1 SP

Note:

Note 1: EARLIER PRODUCTION UNITS HAD FUSED TRANSFORMERS THAT USED THIS FUSE; IT CAN BE ORDERED FOR REPLACEMENT. Note 2: IF A DASH 1 OR 2 HAS BEEN UP-DATED WITH A BRISTOL 2-SPEED COMPRESSOR, THIS UPDATES THE UNIT TO A DASH 3. FOR ALL REPAIR PARTS, SEE DASH 3 IN THE REPAIR PARTS HANDBOOK.