

<b>Part No.</b>	<b>Reference No.</b>	<b>Quantity</b>	<b>Description</b>
75013373#HINAUP1~S	*		CONTROLS SECTION
75013375#HINAUP1~S	*		FAN ASSEMBLY
75013376#HINAUP1~S	*		FIELD FACTORY INSTALLED & OPTIONAL ACCESSORIES
75013374#HINAUP1~S	*		FILTER BOX ASSEMBLY
75013371#HINAUP1~S	*		FLUE COLLECTOR & POWER VENTER
75013369#HINAUP1~S	*		GENERAL ASSEMBLY
75013372#HINAUP1~S	*		HEAT EXCHANGER ASSEMBLY
HINAUP1_HINAUP1_5326830~P	*		HINAUP1 PARTS LIST
75013370#HINAUP1~S	*		MANIFOLD BURNER ASSEMBLY
75013377#HINAUP1~S	*		MODEL NUMBER DESCRIPTION (NOMENCLATURE)

MODEL NUMBER DESCRIPTION													75013377	REV. A				
HIGH EFFICIENCY UNIT HEATERS																		
DIGIT	<u>H</u>	<u>I</u>	<u>N</u>	<u>A</u>	<u>0</u>	<u>5</u>	<u>0</u>	<u>1</u>	<u>1</u>	<u>1</u>	<u>0</u>	<u>1</u>	<u>A</u>	<u>E</u>	<u>9</u>			
Digit 1, 2 - Unit Type	HI = High Efficiency Unit Heater										Digit 12 - Motor Type	1 = Open Drip Proof (Standard) S = Special						
Digit 3 - Gas Type	N = Natural Gas P = LP Gas (Propane) S = Special										Digit 13 - Furnace Type	A = Right Side Access S = Special						
Digit 4 - Development Sequence	A = First Development Sequence										Digit 14 + - Misc Accy Options	A71 = Pressure Reg, Range 0.5-10 PSI A73 = Pressure Reg, Range 10-20 PSI A75 = Pressure Reg, Range 20-35 PSI E9 = Condensate Neutralizer (Inline) EW = Condensate Neutralizer (Wall Mounted)t G1 = T87K Mercury Free Thermo w/Subbase Kit G2 = T87K Merc Free Thermo wTG511A Guard G3 = T834N Mercury Free Thermostat/Fan Swt G5 = 2-Stg TH5220D Merc Free Thermo w/SB G9 = 1-Stg T822K Merc Free Thermostat G6 = Locking Thermostat Cover H9 = Stratification Sensor K8 = Condensate Pump K9 = Condensate Pump Shelf Y2 = 2" PVC Concentric Vent Kit Y3 = 3" PVC Concentric Vent Kit Y4 = 4" PVC Concentric Vent Kit S = Special						
Digit 5,6 & 7 - Input Capacity	050 = 4.16 Ton 100 = 8.3 Ton 150 = 12.5 Ton 200 = 16.67 Ton 300 = 25.0 Ton 400 = 33.3 Ton																	
Digit 8 - Supply Voltage	1 = 115/60/1    5 = 230/60/3 2 = 208/60/1    6 = 460/60/3 3 = 230/60/1    7 = 575/60/3 4 = 208/60/3    S = Special																	
Digit 9 - Direct Spark Gas Control	1 = Modulating w/Outside Air Reset (Master) 2 = Modulating w/Outside Air Reset (Network) 3 = Modulating w/Indoor Air Reset 4 = Modulating w/2-10 vdc/4-20 mA Input 5 = Modulating w/Room Sensing 6 = Two Stage S = Special																	
Digit 10 - Design Sequence	A = First Design																	
Digit 11 - Blower Motor Sizes	0 = Standard																	
All orderable Service Parts are identified for this product. Parts that are not identified, will not be available to order. This is a typical illustration. The unit in the field may not appear exactly as shown.																		

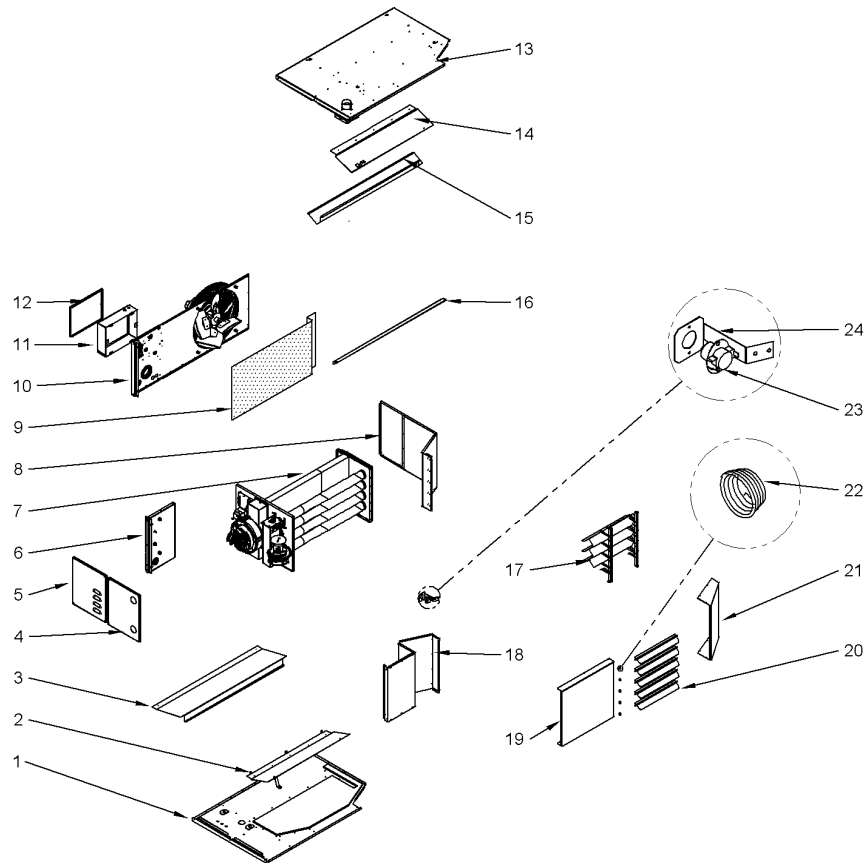
Part No.	Reference No.	Quantity	Description
75013377_HINAUP1_5326833~P	*		MODEL NUMBER DESCRIPTION (NOMENCLATURE) PARTS LIST

MODEL NUMBER DESCRIPTION													75013377		REV A
HIGH EFFICIENCY UNIT HEATERS															
	H	I	N	A	0	5	0	1	1	1	0	1	A	E	9
DIGIT	1	2	3	4	5	6	7	8	9	10	11	12	13	14	15
Digit 1, 2	- Unit Type							Digit 12	- Motor Type						
	HI = High Efficiency Unit Heater								1 = Open Drip Proof (Standard) S = Special						
Digit 3	- Gas Type							Digit 13	- Furnace Type						
	N = Natural Gas P = LP Gas (Propane) S = Special								A = Right Side Access S = Special						
Digit 4	- Development Sequence							Digit 14 +	- Misc Accy Options						
	A = First Development Sequence								A71 = Pressure Reg, Range 0.5-10 PSI A73 = Pressure Reg, Range 10-20 PSI A75 = Pressure Reg, Range 20-35 PSI E9 = Condensate Neutralizer (Inline) EW = Condensate Neutralizer (Wall Mounted)t G1 = T87K Mercury Free Thermo w/Subbase Kit G2 = T87K Merc Free Thermo wTG511A Guard G3 = T834N Mercury Free Thermostat/Fan Swt G5 = 2-Stg TH5220D Merc Free Thermo w/SB G9 = 1-Stg T822K Merc Free Thermostat G6 = Locking Thermostat Cover H9 = Stratification Sensor K8 = Condensate Pump K9 = Condensate Pump Shelf Y2 = 2" PVC Concentric Vent Kit Y3 = 3" PVC Concentric Vent Kit Y4 = 4" PVC Concentric Vent Kit S = Special						
Digit 5,6 & 7	- Input Capacity														
	050 = 4.16 Ton 100 = 8.3 Ton 150 = 12.5 Ton 200 = 16.67 Ton 300 = 25.0 Ton 400 = 33.3 Ton														
Digit 8	- Supply Voltage														
	1 = 115/60/1    5 = 230/60/3 2 = 208/60/1    6 = 460/60/3 3 = 230/60/1    7 = 575/60/3 4 = 208/60/3    S = Special														
Digit 9	- Direct Spark Gas Control														
	1 = Modulating w/Outside Air Reset (Master) 2 = Modulating w/Outside Air Reset (Network) 3 = Modulating w/Indoor Air Reset 4 = Modulating w/2-10 vdc/4-20 mA Input 5 = Modulating w/Room Sensing 6 = Two Stage S = Special														
Digit 10	- Design Sequence														
	A = First Design														
Digit 11	- Blower Motor Sizes														
	0 = Standard														
All orderable Service Parts are identified for this product.															
Parts that are not identified, will not be available to order.															
This is a typical illustration. The unit in the field may not appear exactly as shown.															

HEGH  
GENERAL ASSEMBLY

75013369

REV.  
A



All orderable Service Parts are identified for this product.

Parts that are not identified, will not be available to order.

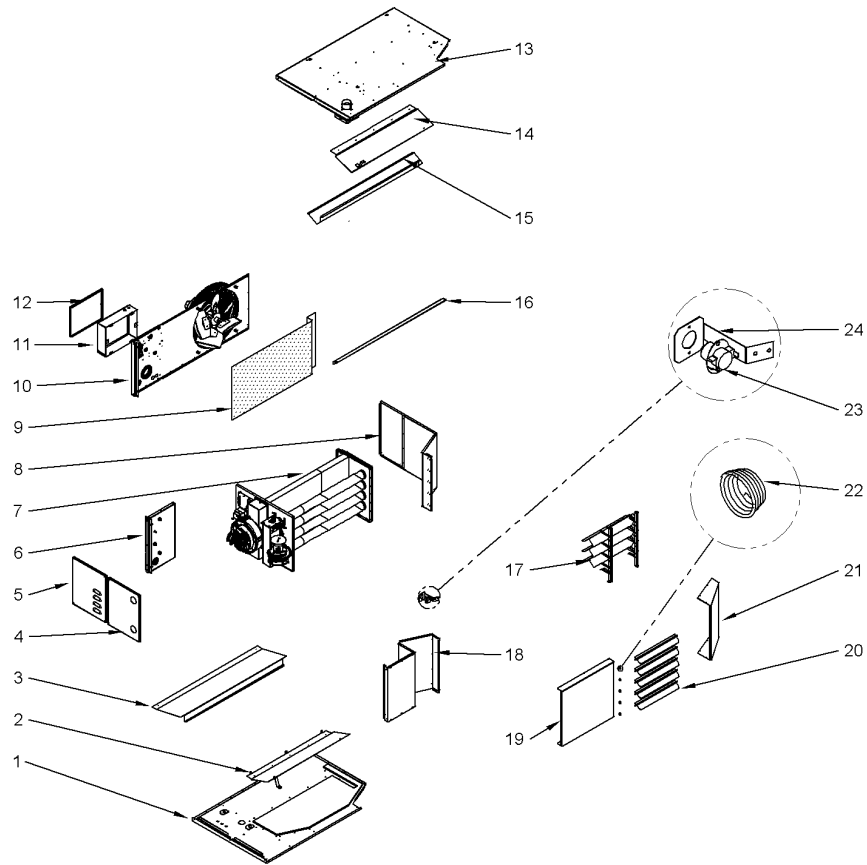
This is a typical illustration. The unit in the field may not appear exactly as shown.

Part No.	Reference No.	Quantity	Description
75013369_HINAUP1_173721~P	*		GENERAL ASSEMBLY PARTS LIST

HEGH  
GENERAL ASSEMBLY

75013369

REV.  
A



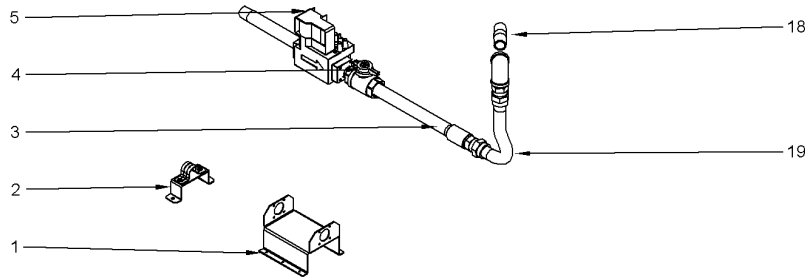
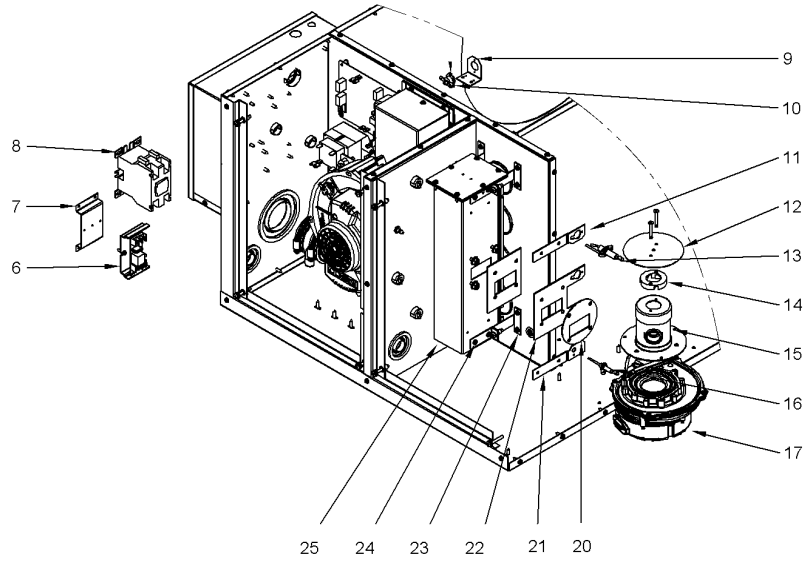
All orderable Service Parts are identified for this product.  
Parts that are not identified, will not be available to order.  
This is a typical illustration. The unit in the field may not appear exactly as shown.

Part No.	Reference No.	Quantity	Description
ADP01483	*	1	ADAPTER; FLUE PIPE
CAB01185	*	1	CABLE; IGNITION-36 IN. LONG
KIT18771	*	1	KIT; GAS CONVERSION KIT
KIT18772	*	1	KIT; GAS CONVERSION KIT
KIT18776	*	1	KIT; PNEUMATIC TUBING FITTING
KIT18778	*	1	KIT; STAINLESS STEEL WIPES
PAI00423	*	1	PAINT; TOUCH UP PAINT (CAN)
SEN02839	*	1	SENSOR; OUTDOOR AIR
SEN02840	*	1	SENSOR; ROOM
TUB15134	*	1	TUBE; PNEUMATIC TUBING, 3/16 ID KIT
TUB15135	*	1	TUBE; PNEUMATIC TUBING, 1/8 ID KIT
TUB15143	*	1	TUBE; CONDENSATE TRAP
PNL36446	1	1	PANEL; BOTTOM JACKET PANEL W/ INSULATION
PNL36431	3	1	PANEL; BOTTOM PANEL BLOCK-OFF
PNL36450	4	1	PANEL; BURNER ACCESS PANEL
PNL36470	5	1	PANEL; POWER VENTER (DRAFTER) ACCESS PANEL
PNL36466	6	1	PANEL; PARTITION
EXC02899	7	1	EXCHANGER; VESTIBULE PANEL/HEAT EXCHANGER ASSEMBLY
PNL36461	8	1	PANEL; LEFT SIDE JACKET PANEL W/ INSULATION
SRN01077	9	1	SCREEN; HEAT EXCHANGER
PNL36475	10	1	PANEL; REAR JACKET
BOX03878	11	1	BOX; CONTROL BOX BASE (WRAPPER)
BOX03879	12	1	BOX; CONTROL BOX ACCESS PANEL
PNL36481	13	1	PANEL; TOP JACKET PANEL W/ INSULATION
PNL36486	15	1	PANEL; TOP BLOCK-OFF
PNL36492	16	1	PANEL; HEAT EXCHANGER ASSEMBLY BLOCK-OFF
PNL36456	18	1	PANEL; RIGHT FRONT PANEL JACKET W/ INSULATION
PNL36439	19	1	PANEL; RIGHT FAÇADE PANEL
LVR01284	20	5	LOUVERS; (QTY. REQ'D PER CAPACITY)
PNL36435	21	1	PANEL; LEFT FAÇADE PANEL
SPG00194	22	5	SPRING; CONE, ADJUSTABLE LOUVERS FOR HORZ. AND VERT.(ORDER QTY EQUALS PIECES)
SWT04298	23	2	SWITCH; HIGH LIMIT (QTY. REQ'D PER CAPACITY)
BRK05099	24	2	BRACKET; HIGH LIMIT SWITCH (QTY. REQ'D PER CAPACITY)

HEGH  
MANIFOLD BURNER ASSEMBLY

75013370

REV.  
A



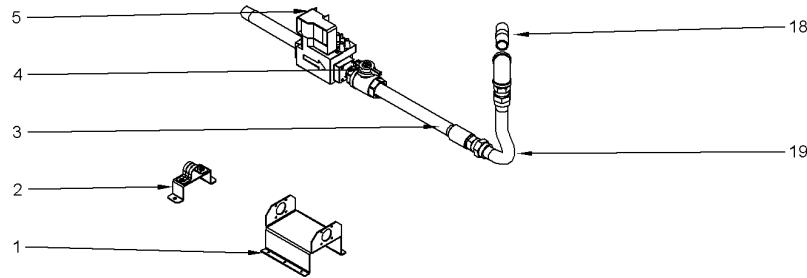
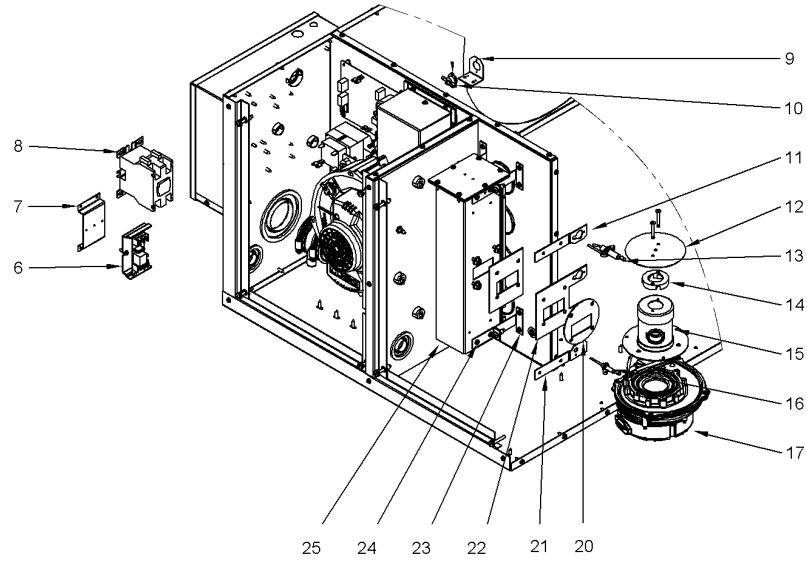
All orderable Service Parts are identified for this product.  
Parts that are not identified, will not be available to order.  
This is a typical illustration. The unit in the field may not appear exactly as shown.

Part No.	Reference No.	Quantity	Description
75013370_HINAUP1_325248~P	*		MANIFOLD BURNER ASSEMBLY PARTS LIST

HEGH  
MANIFOLD BURNER ASSEMBLY

75013370

REV.  
A



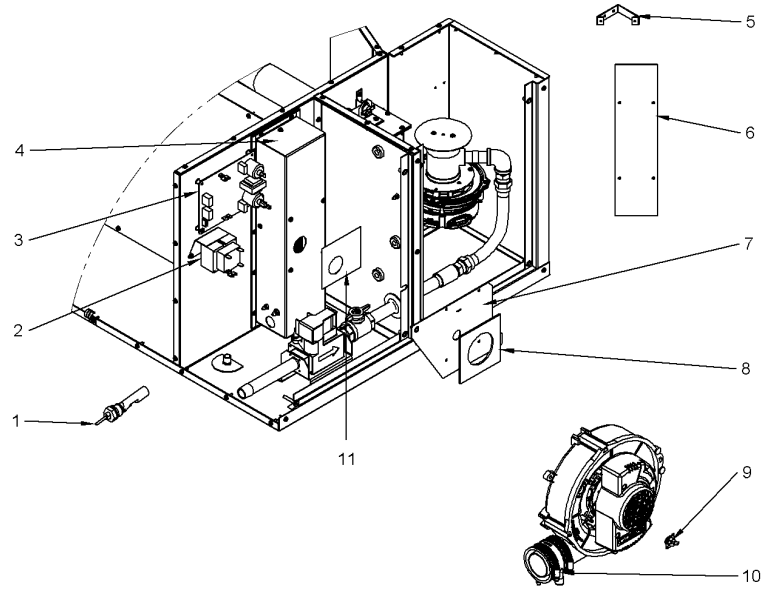
All orderable Service Parts are identified for this product.  
Parts that are not identified, will not be available to order.  
This is a typical illustration. The unit in the field may not appear exactly as shown.

Part No.	Reference No.	Quantity	Description
BRK05085	1	1	BRACKET; GAS VALVE
TUB15141	3	1	TUBE; GAS PIPING ASSEMBLY
VAL19329	5	1	VALVE; GAS MODULATING
RLY01872	6	1	RELAY;10A AT 115 VAC, DPDT, 230/115 OR 24 V COIL(K24)
BRK05097	7	1	BRACKET; FAN RELAY
BRK05090	9	1	BRACKET; MANUAL ROLLOUT SAFETY SWITCH
SWT04299	10	1	SWITCH; MANUAL ROLLOUT SAFETY
BRK05094	11	2	BRACKET; SPARK IGNITOR
PLT06490	12	1	PLATE; INLET AIR COVER
CNT05013	13	2	CONTROL; SPARK IGNITOR
DST01163	14	1	DISTRIBUTOR; INLET AIR
BOX03867	15	1	BOX; MIXING CHAMBER
SEN01458	16	2	SENSOR; FLAME
BLW01591	17	1	BLOWER; COMBUSTION
ORF02059	18	1	ORIFICE; NATURAL GAS 0.281
HSE02007	19	1	HOSE ; FLEXIBLE GAS CONNECTOR
GKT05008	20	1	GASKET; COMBUSTION BLOWER
BRK05092	21	2	BRACKET; FLAME SENSOR
BRK05098	23	4	BRACKET; BURNER, VESTIBULE SIDE
BRK05093	24	4	BRACKET;BURNER BOX SIDE
BOX03872	25	1	BOX; BURNER BOX ASSEMBLY (FLAME SENSOR & IGNITOR SOLD SEPARATELY)

HEGH  
FLUE COLLECTOR & POWER VENTER

75013371

REV.  
A



All orderable Service Parts are identified for this product.

Parts that are not identified, will not be available to order.

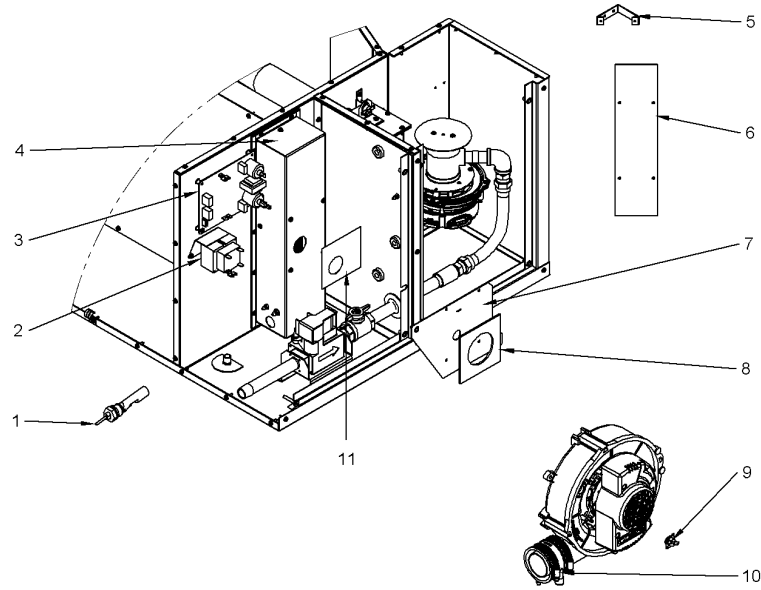
This is a typical illustration. The unit in the field may not appear exactly as shown.

Part No.	Reference No.	Quantity	Description
75013371_HINAUP1_173730~P	*		FLUE COLLECTOR & POWER VENTER PARTS LIST

HEGH  
FLUE COLLECTOR & POWER VENTER

75013371

REV.  
A



All orderable Service Parts are identified for this product.

Parts that are not identified, will not be available to order.

This is a typical illustration. The unit in the field may not appear exactly as shown.

Parts List Number :HINAUP1#HINAUP1

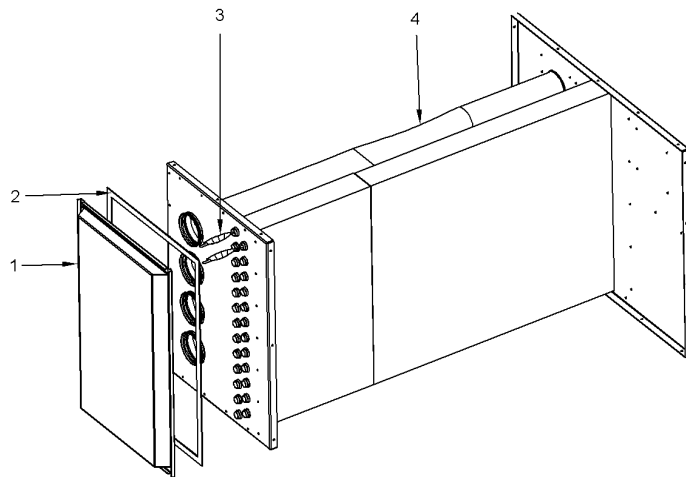
Model Number :HINA20016A01A

<b>Part No.</b>	<b>Reference No.</b>	<b>Quantity</b>	<b>Description</b>
SWT04290	1	1	SWITCH; FLOAT
TRR01251	2	1	TRANSFORMER; 50VA, 120V PRI., 24V SEC
CNT08037	3	1	CONTROL; IGNITION CONTROL BOARD
FLU00404	4	1	FLUE; COLLECTOR
BRK05089	5	1	BRACKET; MIRROR
PNL36494	6	1	PANEL; BURNER MIRROR
PLT06486	7	1	PLATE; POWER VENTER (DRAFTER) MOUNTING PLATE
GKT05007	8	1	GASKET; POWER VENTER (DRAFTER) GASKET
SWT04297	9	1	SWITCH; FLUE LIMIT SWITCH
PNL36428	10	1	PANEL; POWER VENTER (DRAFTER) ASSEMBLY (INCLUDES GASKET)
GKT05014	11	1	GASKET; INLET AIR COLLAR

HEGH  
HEAT EXCHANGER ASSY

75013372

REV.  
A



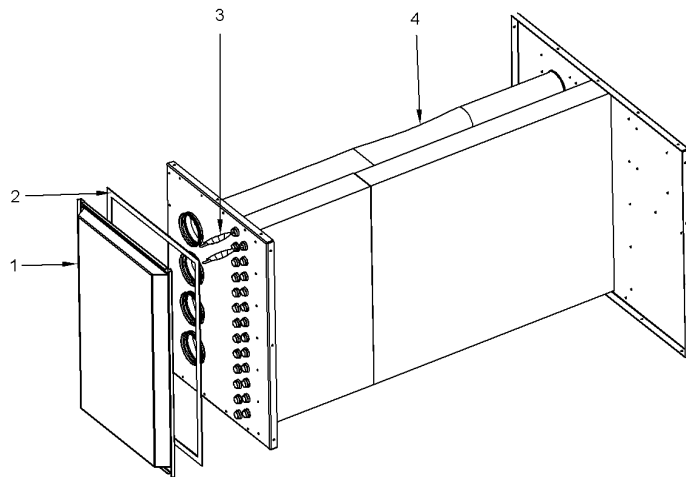
All orderable Service Parts are identified for this product.  
Parts that are not identified, will not be available to order.  
This is a typical illustration. The unit in the field may not appear exactly as shown.

Part No.	Reference No.	Quantity	Description
75013372_HINAUP1_173732~P	*		HEAT EXCHANGER ASSEMBLY PARTS LIST

HEGH  
HEAT EXCHANGER ASSY

75013372

REV.  
A



All orderable Service Parts are identified for this product.  
Parts that are not identified, will not be available to order.  
This is a typical illustration. The unit in the field may not appear exactly as shown.

Parts List Number :HINAUP1#HINAUP1

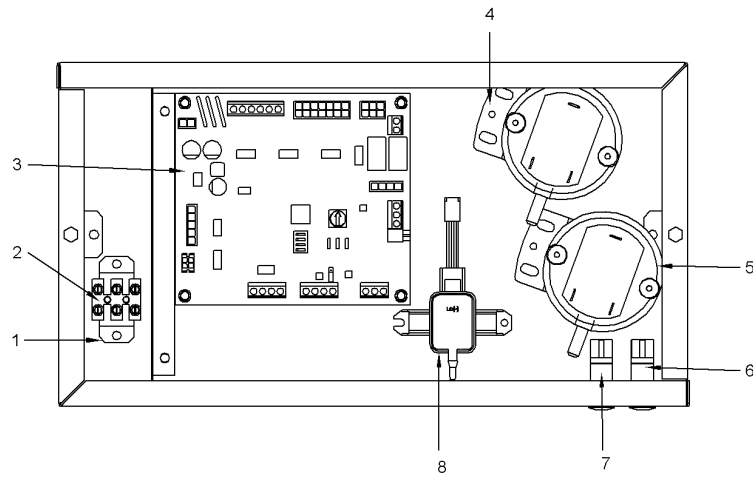
Model Number :HINA20016A01A

<b>Part No.</b>	<b>Reference No.</b>	<b>Quantity</b>	<b>Description</b>
COV05660	1	1	COVER; TURN COVER
GKT05016	2	1	GASKET; TURN COVER
TRB00238	3	38	TURBULATORS (QTY. REQ'D PER CAPACITY)
EXC02899	4	1	EXCHANGER; VESTIBULE PANEL/HEAT EXCHANGER ASSEMBLY

HEGH  
CONTROLS SECTION

75013373

REV.  
A



All orderable Service Parts are identified for this product.

Parts that are not identified, will not be available to order.

This is a typical illustration. The unit in the field may not appear exactly as shown.

CONTROLS SECTION

Parts List Number :HINAUP1#HINAUP1

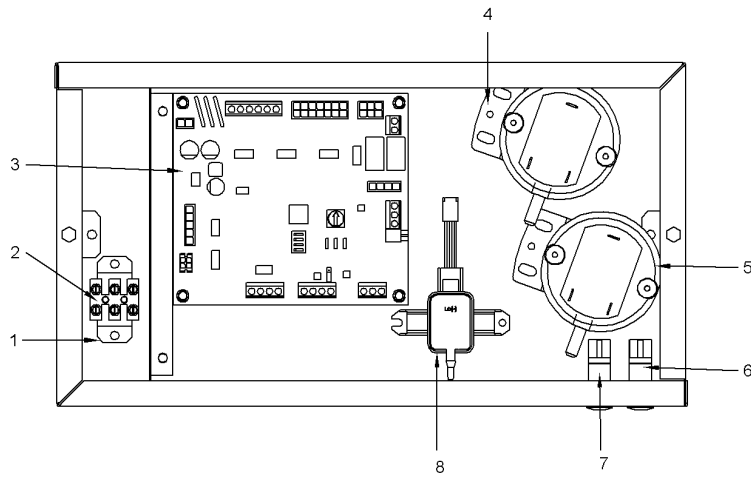
Model Number :HINA20016A01A

Part No.	Reference No.	Quantity	Description
75013373_HINAUP1_5326831~P	*		CONTROLS SECTION PARTS LIST

HEGH  
CONTROLS SECTION

75013373

REV.  
A



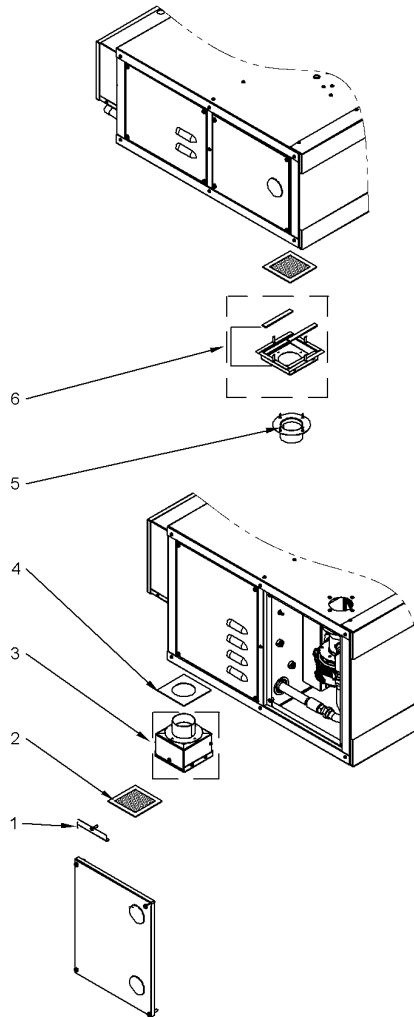
All orderable Service Parts are identified for this product.  
Parts that are not identified, will not be available to order.  
This is a typical illustration. The unit in the field may not appear exactly as shown.

<b>Part No.</b>	<b>Reference No.</b>	<b>Quantity</b>	<b>Description</b>
TRR01251	*	1	TRANSFORMER; 50VA, 120V PRI., 24V SEC
CNT08036	3	1	CONTROL; MAIN CONTROL BOARD
SWT04296	4	1	SWITCH; PRESSURE SWITCH, POWER VENTER (DRAFTER) - WHITE
SWT04291	5	1	SWITCH; PRESSURE SWITCH, BLOCKED INLET - TURQOISE
LIT01389	6	1	LIGHT; LED INDICATOR, RED
LIT01390	7	1	LIGHT; LED INDICATOR, ORANGE
TDR00754	8	1	TRANSDUCER; PRESSURE

HEGH  
FILTER BOX ASSY

75013374

REV.  
A



All orderable Service Parts are identified for this product.

Parts that are not identified, will not be available to order.

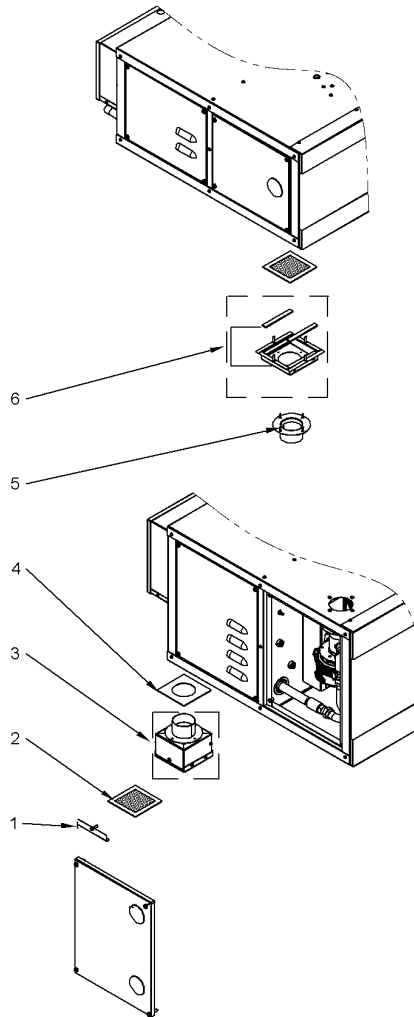
This is a typical illustration. The unit in the field may not appear exactly as shown.

Part No.	Reference No.	Quantity	Description
75013374_HINAUP1_173735~P	*		FILTER BOX ASSEMBLY PARTS LIST

HEGH  
FILTER BOX ASSY

75013374

REV.  
A



All orderable Service Parts are identified for this product.

Parts that are not identified, will not be available to order.

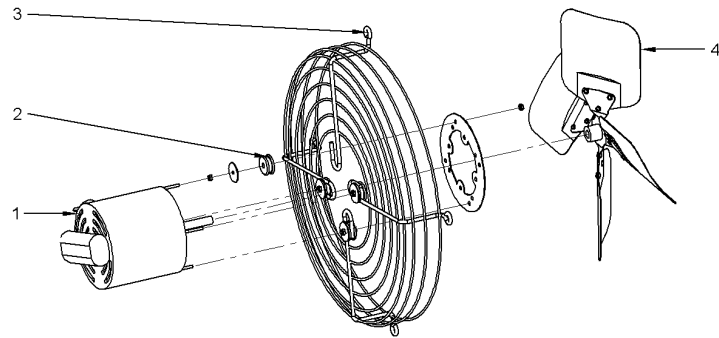
This is a typical illustration. The unit in the field may not appear exactly as shown.

<b>Part No.</b>	<b>Reference No.</b>	<b>Quantity</b>	<b>Description</b>
COV05657	1	1	COVER; FILTER BOX COVER
FLR09000	2	1	FILTER;
GKT05012	4	1	GASKET; INLET AIR COLLAR
CPL01444	5	1	COUPLING; INLET AIR COLLAR
BOX03883	6	1	BOX; FILTER BOX

HEGH  
FAN ASSY

75013375

REV.  
A



All orderable Service Parts are identified for this product.

Parts that are not identified, will not be available to order.

This is a typical illustration. The unit in the field may not appear exactly as shown.

Parts List Number :HINAUP1#HINAUP1

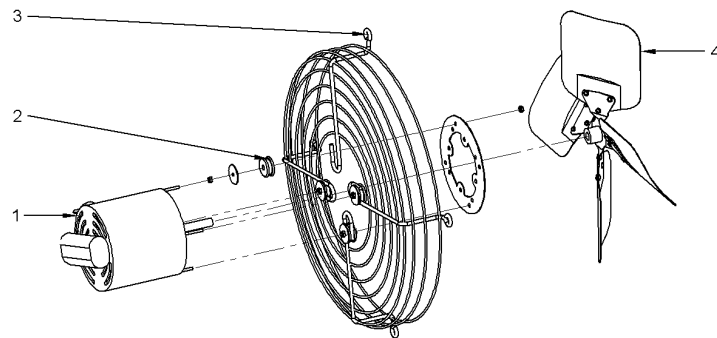
Model Number :HINA20016A01A

Part No.	Reference No.	Quantity	Description
75013375_HINAUP1_173737~P	*		FAN ASSEMBLY PARTS LIST

HEGH  
FAN ASSY

75013375

REV.  
A



All orderable Service Parts are identified for this product.

Parts that are not identified, will not be available to order.

This is a typical illustration. The unit in the field may not appear exactly as shown.

<b>Part No.</b>	<b>Reference No.</b>	<b>Quantity</b>	<b>Description</b>
MOT19185	1	2	MOTOR; FAN MOTOR (ODP)
KIT18775	2	2	KIT; FAN/GUARD/MOTOR MOUNT HARDWARE
GRD01448	3	2	GUARD; FAN, OSHA FOR 006-015 AND 030 SIZE UNITS
BLD01357	4	2	BLADE; FAN

HEGH  
 FIELD FACTORY INSTALLED & OPTIONAL ACCY'S

75013376

REV.  
A

1	REG00599	PRESSURE REGULATOR (0.5 to 10 PSI ) NATURAL GAS [A7]
2	REG00600	PRESSURE REGULATOR (10 to 20 PSI ) NATURAL GAS [A7]
3	REG00601	PRESSURE REGULATOR (20 to 35 PSI ) NATURAL GAS [A7]
4	THT03087	T87K 1-STAGE THERMOSTAT, WITH SUBBASE [G1] *
5	THT02569	T87K 1-STAGE THERMOSTAT, WITH SUBBASE and TG511A Guard Kit [G2] *
6	THT03088	T834N 1-STAGE W/ FAN SWITCH THERMOSTAT (STERLING LOGO) [G3] *
7	THT02244	TH5220D 2-STAGE THERMOSTAT, WITH SUBBASE [G5] *
8	GRD00334	TG511A UNIVERSAL THERMOSTAT GUARD/LOCKING COVER [G6]
9	THT03089	T822K 1-STAGE THERMOSTAT [G9] *
10	KIT18790	Condensate Neutralizer - Inline (E9)
11	KIT18806	Condensate Neutralizer - Inline (E9)
12	KIT18791	Condensate Neutralizer - Wall Mounted (EW)
13	KIT18807	Condensate Neutralizer - Wall Mounted (EW)
14	SEN02841	Stratification Sensors
15	PMP02306	Condensate Pump (K8)
16	PMP02307	Condensate Pump Shelf (K9)
17	KIT18792	2" PVC COMBUSTION AIR INLET KIT (HU 50-150)
18	KIT18793	3" PVC COMBUSTION AIR INLET KIT (HU-200)
19	KIT18794	4" PVC COMBUSTION AIR INLET KIT (HU 300-400)
20	PAI00423	TOUCH UP PAINT, 12oz. SPRAY CAN (Black)
21	SEL01221	HIGH TEMP (RTV) SEALANT - 2.8oz. TUBE

All orderable Service Parts are identified for this product.

Parts that are not identified, will not be available to order.

This is a typical illustration. The unit in the field may not appear exactly as shown.

Parts List Number :HINAUP1#HINAUP1

Model Number :HINA20016A01A

Part No.	Reference No.	Quantity	Description
75013376_HINAUP1_5326832~P	*		FIELD FACTORY INSTALLED & OPTIONAL ACCESSORIES PARTS LIST

HEGH  
 FIELD FACTORY INSTALLED & OPTIONAL ACCY'S

75013376

REV.  
A

1	REG00599	PRESSURE REGULATOR (0.5 to 10 PSI ) NATURAL GAS [A7]
2	REG00600	PRESSURE REGULATOR (10 to 20 PSI ) NATURAL GAS [A7]
3	REG00601	PRESSURE REGULATOR (20 to 35 PSI ) NATURAL GAS [A7]
4	THT03087	T87K 1-STAGE THERMOSTAT, WITH SUBBASE [G1] *
5	THT02569	T87K 1-STAGE THERMOSTAT, WITH SUBBASE and TG511A Guard Kit [G2] *
6	THT03088	T834N 1-STAGE W/ FAN SWITCH THERMOSTAT (STERLING LOGO) [G3] *
7	THT02244	TH5220D 2-STAGE THERMOSTAT, WITH SUBBASE [G5] *
8	GRD00334	TG511A UNIVERSAL THERMOSTAT GUARD/LOCKING COVER [G6]
9	THT03089	T822K 1-STAGE THERMOSTAT [G9] *
10	KIT18790	Condensate Neutralizer - Inline (E9)
11	KIT18806	Condensate Neutralizer - Inline (E9)
12	KIT18791	Condensate Neutralizer - Wall Mounted (EW)
13	KIT18807	Condensate Neutralizer - Wall Mounted (EW)
14	SEN02841	Stratification Sensors
15	PMP02306	Condensate Pump (K8)
16	PMP02307	Condensate Pump Shelf (K9)
17	KIT18792	2" PVC COMBUSTION AIR INLET KIT (HU 50-150)
18	KIT18793	3" PVC COMBUSTION AIR INLET KIT (HU-200)
19	KIT18794	4" PVC COMBUSTION AIR INLET KIT (HU 300-400)
20	PAI00423	TOUCH UP PAINT, 12oz. SPRAY CAN (Black)
21	SEL01221	HIGH TEMP (RTV) SEALANT - 2.8oz. TUBE

All orderable Service Parts are identified for this product.

Parts that are not identified, will not be available to order.

This is a typical illustration. The unit in the field may not appear exactly as shown.

Parts List Number :HINAUP1#HINAUP1

Model Number :HINA20016A01A