

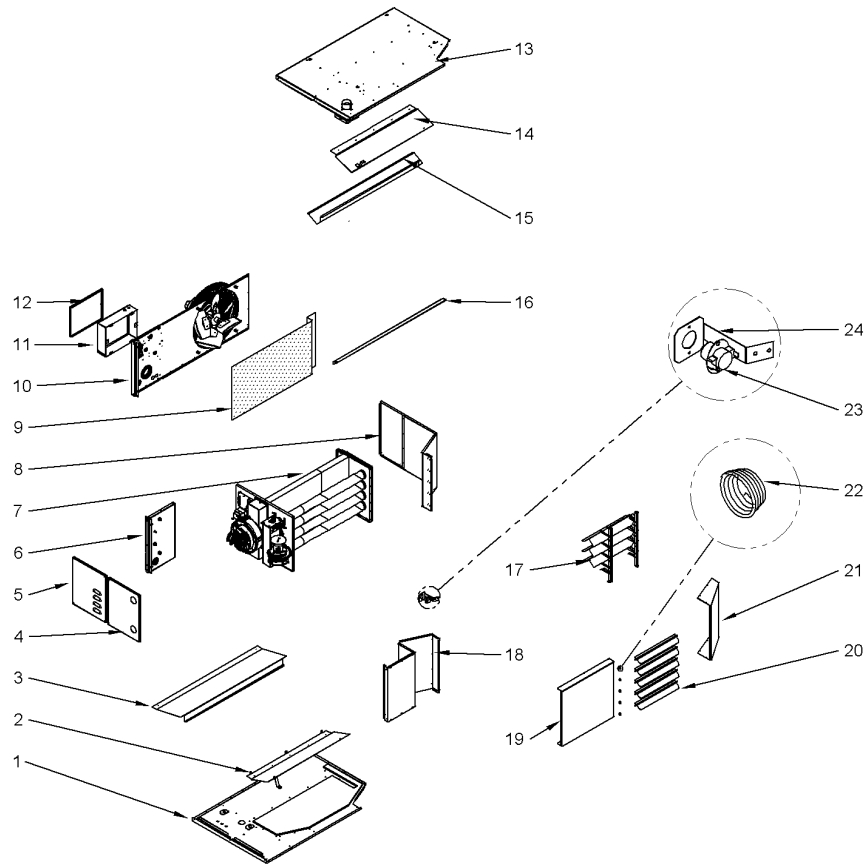
Part No.	Reference No.	Quantity	Description
75013377	SEC 01		MODEL NUMBER DESCRIPTION (NOMENCLATURE)
75013369	SEC 02		GENERAL ASSEMBLY
75013370	SEC 03		MANIFOLD BURNER ASSEMBLY
75013371	SEC 04		FLUE COLLECTOR & POWER VENTER
75013372	SEC 05		HEAT EXCHANGER ASSEMBLY
75013373	SEC 06		CONTROLS SECTION
75013374	SEC 07		FILTER BOX ASSEMBLY
75013375	SEC 08		FAN ASSEMBLY
75013376	SEC 09		FIELD FACTORY INSTALLED & OPTIONAL ACCESSORIES

MODEL NUMBER DESCRIPTION													75013377		REV A				
HIGH EFFICIENCY UNIT HEATERS																			
	H	I	N	A	0	5	0	1	1	1	0	1	A	E	9				
DIGIT	1	2	3	4	5	6	7	8	9	10	11	12	13	14	15				
Digit 1, 2	- Unit Type							Digit 12								- Motor Type			
	HI = High Efficiency Unit Heater															1 = Open Drip Proof (Standard)			
																S = Special			
Digit 3	- Gas Type															Digit 13		- Furnace Type	
	N = Natural Gas															A = Right Side Access			
	P = LP Gas (Propane)															S = Special			
	S = Special																		
Digit 4	- Development Sequence															Digit 14 +		- Misc Accy Options	
	A = First Development Sequence															A71 = Pressure Reg, Range 0.5-10 PSI			
Digit 5,6 & 7	- Input Capacity															A73 = Pressure Reg, Range 10-20 PSI			
	050 = 4.16 Ton															A75 = Pressure Reg, Range 20-35 PSI			
	100 = 8.3 Ton															E9 = Condensate Neutralizer (Inline)			
	150 = 12.5 Ton															EW = Condensate Neutralizer (Wall Mounted)t			
	200 = 16.67 Ton															G1 = T87K Mercury Free Thermo w/Subbase Kit			
	300 = 25.0 Ton															G2 = T87K Merc Free Thermo wTG511A Guard			
	400 = 33.3 Ton															G3 = T834N Mercury Free Thermostat/Fan Swt			
Digit 8	- Supply Voltage															G5 = 2-Stg TH5220D Merc Free Thermo w/SB			
	1 = 115/60/1			5 = 230/60/3												G9 = 1-Stg T822K Merc Free Thermostat			
	2 = 208/60/1			6 = 460/60/3												G6 = Locking Thermostat Cover			
	3 = 230/60/1			7 = 575/60/3												H9 = Stratification Sensor			
	4 = 208/60/3			S = Special												K8 = Condensate Pump			
																K9 = Condensate Pump Shelf			
Digit 9	- Direct Spark Gas Control															Y2 = 2" PVC Concentric Vent Kit			
	1 = Modulating w/Outside Air Reset (Master)															Y3 = 3" PVC Concentric Vent Kit			
	2 = Modulating w/Outside Air Reset (Network)															Y4 = 4" PVC Concentric Vent Kit			
	3 = Modulating w/Indoor Air Reset															S = Special			
	4 = Modulating w/2-10 vdc/4-20 mA Input																		
	5 = Modulating w/Room Sensing																		
	6 = Two Stage																		
	S = Special																		
Digit 10	- Design Sequence																		
	A = First Design																		
Digit 11	- Blower Motor Sizes																		
	0 = Standard																		
All orderable Service Parts are identified for this product.																			
Parts that are not identified, will not be available to order.																			
This is a typical illustration. The unit in the field may not appear exactly as shown.																			

HEGH
GENERAL ASSEMBLY

75013369

REV.
A



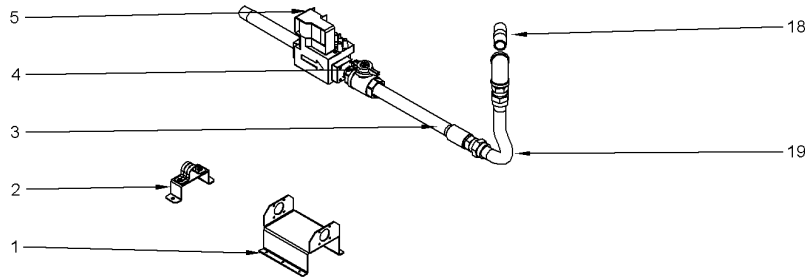
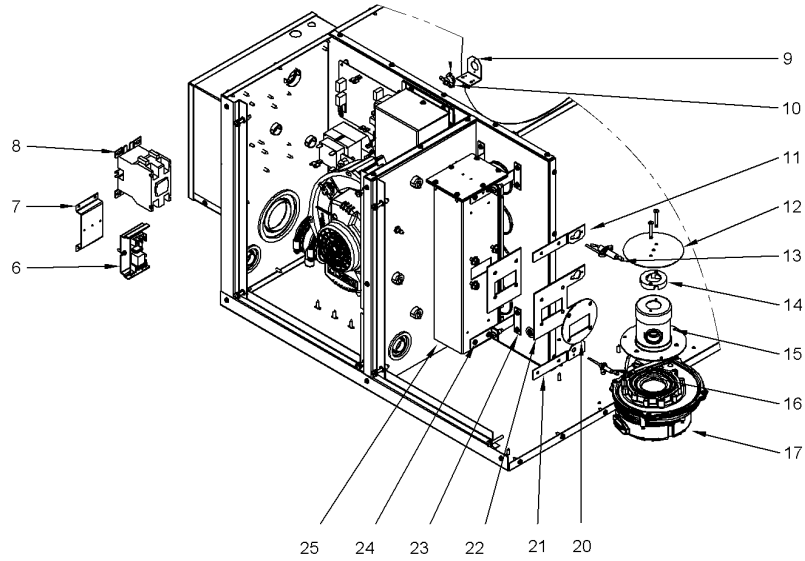
All orderable Service Parts are identified for this product.
Parts that are not identified, will not be available to order.
This is a typical illustration. The unit in the field may not appear exactly as shown.

Part No.	Reference No.	Quantity	Description
CAB01185	*	1	CABLE; IGNITION-36 IN. LONG
KIT18771	*	1	KIT; GAS CONVERSION KIT
KIT18772	*	1	KIT; GAS CONVERSION KIT
KIT18776	*	1	KIT; PNEUMATIC TUBING FITTING
KIT18778	*	1	KIT; STAINLESS STEEL WIPES
PAI00423	*	1	PAINT; TOUCH UP PAINT (CAN)
SEN02839	*	1	SENSOR; OUTDOOR AIR
SEN02840	*	1	SENSOR; ROOM
TUB15134	*	1	TUBE; PNEUMATIC TUBING, 3/16 ID KIT
TUB15135	*	1	TUBE; PNEUMATIC TUBING, 1/8 ID KIT
TUB15143	*	1	TUBE; CONDENSATE TRAP
PNL36444	1	1	PANEL; BOTTOM JACKET PANEL W/ INSULATION
PNL36491	2	1	PANEL; TOP PANEL BLOCK-OFF
PNL36449	4	1	PANEL; BURNER ACCESS PANEL
PNL36469	5	1	PANEL; POWER VENTER (DRAFTER) ACCESS PANEL
PNL36465	6	1	PANEL; PARTITION
EXC02897	7	1	EXCHANGER; VESTIBULE PANEL/HEAT EXCHANGER ASSEMBLY
PNL36460	8	1	PANEL; LEFT SIDE JACKET PANEL W/ INSULATION
SRN01076	9	1	SCREEN; HEAT EXCHANGER
PNL36474	10	1	PANEL; REAR JACKET
BOX03878	11	1	BOX; CONTROL BOX BASE (WRAPPER)
BOX03879	12	1	BOX; CONTROL BOX ACCESS PANEL
PNL36479	13	1	PANEL; TOP JACKET PANEL W/ INSULATION
PNL36491	14	1	PANEL; TOP PANEL BLOCK-OFF
BAF01496	17	1	BAFFLE; HEAT EXCHANGER BAFFLE ASSEMBLY
PNL36455	18	1	PANEL; RIGHT FRONT PANEL JACKET W/ INSULATION
PNL36439	19	1	PANEL; RIGHT FAÇADE PANEL
LVR01283	20	5	LOUVERS; (QTY. REQ'D PER CAPACITY)
PNL36435	21	1	PANEL; LEFT FAÇADE PANEL
SPG00194	22	5	SPRING; CONE, ADJUSTABLE LOUVERS FOR HORZ. AND VERT.(ORDER QTY EQUALS PIECES)
SWT04298	23	1	SWITCH; HIGH LIMIT (QTY. REQ'D PER CAPACITY)
BRK05099	24	1	BRACKET; HIGH LIMIT SWITCH (QTY. REQ'D PER CAPACITY)

HEGH
MANIFOLD BURNER ASSEMBLY

75013370

REV.
A



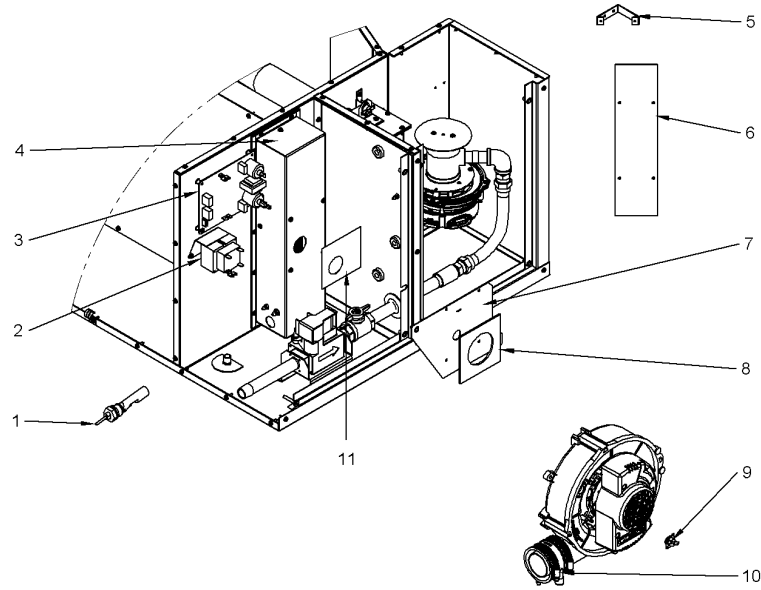
All orderable Service Parts are identified for this product.
Parts that are not identified, will not be available to order.
This is a typical illustration. The unit in the field may not appear exactly as shown.

Part No.	Reference No.	Quantity	Description
BRK05085	1	1	BRACKET; GAS VALVE
TUB15140	3	1	TUBE; GAS PIPING ASSEMBLY
VAL19329	5	1	VALVE; GAS MODULATING
RLY01870	6	1	RELAY; 10A AT 115VAC, SPDT, 115 OR 24V COIL
BRK05097	7	1	BRACKET; FAN RELAY
BRK05090	9	1	BRACKET; MANUAL ROLLOUT SAFETY SWITCH
SWT04299	10	1	SWITCH; MANUAL ROLLOUT SAFETY
BRK05094	11	1	BRACKET; SPARK IGNITOR
PLT06489	12	1	PLATE; INLET AIR COVER
CNT05013	13	1	CONTROL; SPARK IGNITOR
DST01161	14	1	DISTRIBUTOR; INLET AIR
BOX03866	15	1	BOX; MIXING CHAMBER
SEN01458	16	1	SENSOR; FLAME
BLW01591	17	1	BLOWER; COMBUSTION
ORF02059	18	1	ORIFICE; NATURAL GAS 0.281
HSE02007	19	1	HOSE ; FLEXIBLE GAS CONNECTOR
GKT05008	20	1	GASKET; COMBUSTION BLOWER
BRK05092	21	1	BRACKET; FLAME SENSOR
BRK05098	23	4	BRACKET; BURNER, VESTIBULE SIDE
BRK05093	24	4	BRACKET;BURNER BOX SIDE
BOX03870	25	1	BOX; BURNER BOX ASSEMBLY (FLAME SENSOR & IGNITOR SOLD SEPARATELY)

HEGH
FLUE COLLECTOR & POWER VENTER

75013371

REV.
A



All orderable Service Parts are identified for this product.

Parts that are not identified, will not be available to order.

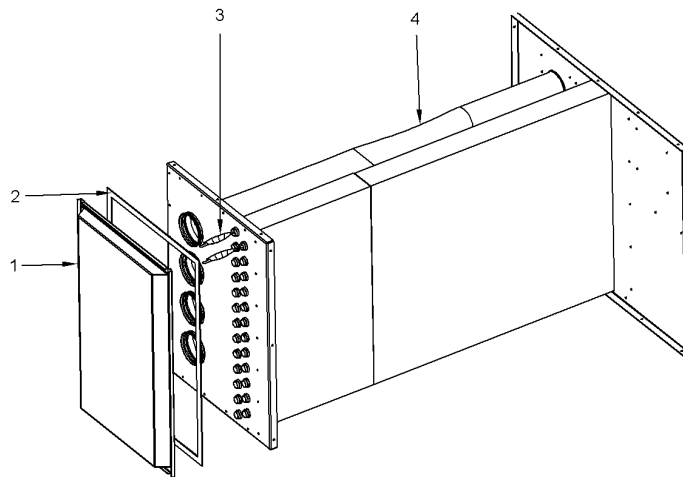
This is a typical illustration. The unit in the field may not appear exactly as shown.

Part No.	Reference No.	Quantity	Description
SWT04290	1	1	SWITCH; FLOAT
TRR01251	2	1	TRANSFORMER; 50VA, 120V PRI., 24V SEC
CNT08038	3	1	CONTROL; IGNITION CONTROL BOARD
FLU00403	4	1	FLUE; COLLECTOR
BRK05089	5	1	BRACKET; MIRROR
PNL36494	6	1	PANEL; BURNER MIRROR
PLT06485	7	1	PLATE; POWER VENTER (DRAFTER) MOUNTING PLATE
GKT05007	8	1	GASKET; POWER VENTER (DRAFTER) GASKET
SWT04297	9	1	SWITCH; FLUE LIMIT SWITCH
PNL36428	10	1	PANEL; POWER VENTER (DRAFTER) ASSEMBLY (INCLUDES GASKET)
GKT05014	11	1	GASKET; INLET AIR COLLAR

HEGH
HEAT EXCHANGER ASSY

75013372

REV.
A



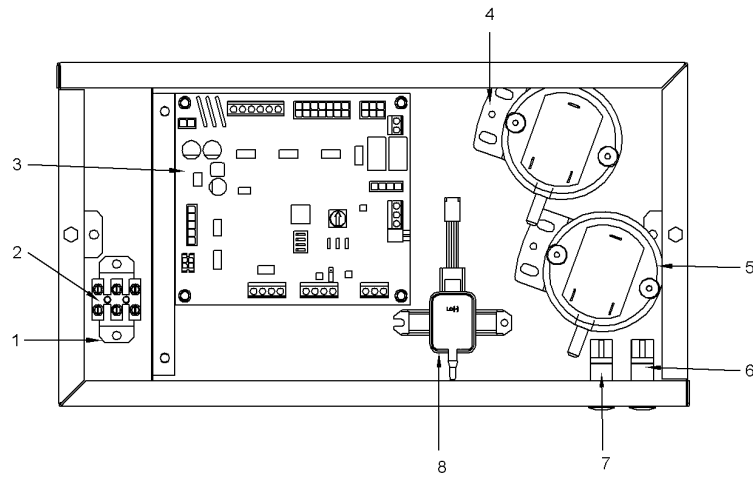
All orderable Service Parts are identified for this product.
Parts that are not identified, will not be available to order.
This is a typical illustration. The unit in the field may not appear exactly as shown.

Part No.	Reference No.	Quantity	Description
COV05659	1	1	COVER; TURN COVER
GKT05015	2	1	GASKET; TURN COVER
TRB00239	3	25	TURBULATORS (QTY. REQ'D PER CAPACITY)
EXC02897	4	1	EXCHANGER; VESTIBULE PANEL/HEAT EXCHANGER ASSEMBLY

HEGH
CONTROLS SECTION

75013373

REV.
A



All orderable Service Parts are identified for this product.

Parts that are not identified, will not be available to order.

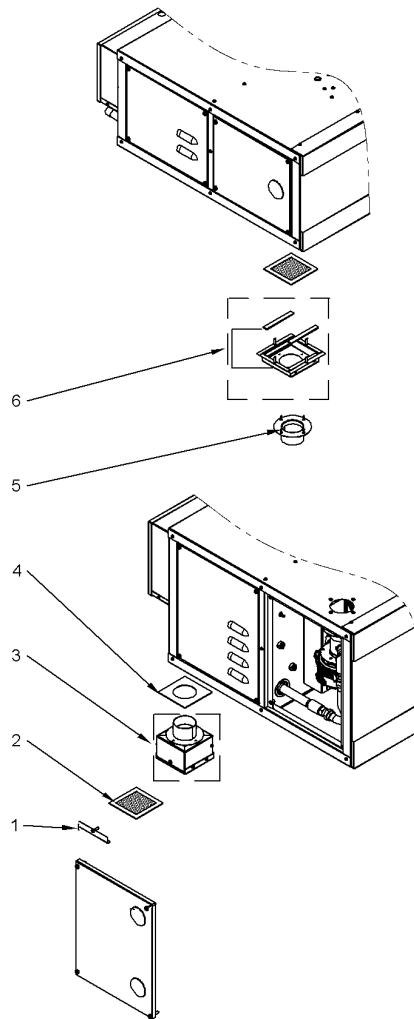
This is a typical illustration. The unit in the field may not appear exactly as shown.

Part No.	Reference No.	Quantity	Description
TRR01251	*	1	TRANSFORMER; 50VA, 120V PRI., 24V SEC
CNT08036	3	1	CONTROL; MAIN CONTROL BOARD
SWT04295	4	1	SWITCH; PRESSURE SWITCH, POWER VENTER (DRAFTER) - GREEN
SWT04291	5	1	SWITCH; PRESSURE SWITCH, BLOCKED INLET - TURQOISE
LIT01389	6	1	LIGHT; LED INDICATOR, RED
LIT01390	7	1	LIGHT; LED INDICATOR, ORANGE
TDR00754	8	1	TRANSDUCER; PRESSURE

HEGH
FILTER BOX ASSY

75013374

REV.
A



All orderable Service Parts are identified for this product.

Parts that are not identified, will not be available to order.

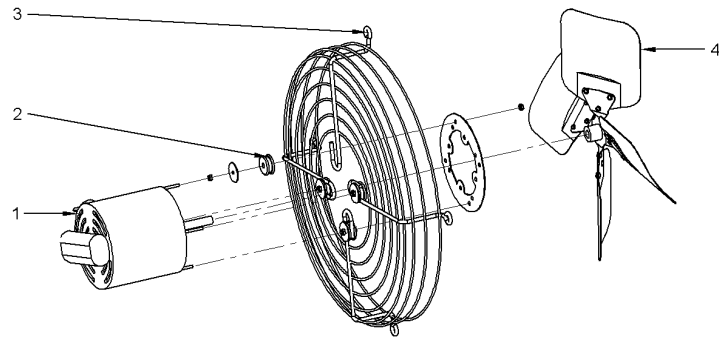
This is a typical illustration. The unit in the field may not appear exactly as shown.

Part No.	Reference No.	Quantity	Description
COV05656	1	1	COVER; FILTER BOX COVER
FLR08998	2	1	FILTER;
GKT05011	4	1	GASKET; INLET AIR COLLAR
CPL01442	5	1	COUPLING; INLET AIR COLLAR
BOX03882	6	1	BOX; FILTER BOX

HEGH
FAN ASSY

75013375

REV.
A



All orderable Service Parts are identified for this product.

Parts that are not identified, will not be available to order.

This is a typical illustration. The unit in the field may not appear exactly as shown.

Part No.	Reference No.	Quantity	Description
MOT19185	1	1	MOTOR; FAN MOTOR (ODP)
KIT18775	2	1	KIT; FAN/GUARD/MOTOR MOUNT HARDWARE
GRD01448	3	1	GUARD; FAN, OSHA FOR 006-015 AND 030 SIZE UNITS
BLD01357	4	1	BLADE; FAN

HEGH

75013376

REV.
A

FIELD FACTORY INSTALLED & OPTIONAL ACCY'S

1	REG00599	PRESSURE REGULATOR (0.5 to 10 PSI) NATURAL GAS [A7]
2	REG00600	PRESSURE REGULATOR (10 to 20 PSI) NATURAL GAS [A7]
3	REG00601	PRESSURE REGULATOR (20 to 35 PSI) NATURAL GAS [A7]
4	THT03087	T87K 1-STAGE THERMOSTAT, WITH SUBBASE [G1] *
5	THT02569	T87K 1-STAGE THERMOSTAT, WITH SUBBASE and TG511A Guard Kit [G2] *
6	THT03088	T834N 1-STAGE W/ FAN SWITCH THERMOSTAT (STERLING LOGO) [G3] *
7	THT02244	TH5220D 2-STAGE THERMOSTAT, WITH SUBBASE [G5] *
8	GRD00334	TG511A UNIVERSAL THERMOSTAT GUARD/LOCKING COVER [G6]
9	THT03089	T822K 1-STAGE THERMOSTAT [G9] *
10	KIT18790	Condensate Neutralizer - Inline (E9)
11	KIT18806	Condensate Neutralizer - Inline (E9)
12	KIT18791	Condensate Neutralizer - Wall Mounted (EW)
13	KIT18807	Condensate Neutralizer - Wall Mounted (EW)
14	SEN02841	Stratification Sensors
15	PMP02306	Condensate Pump (K8)
16	PMP02307	Condensate Pump Shelf (K9)
17	KIT18792	2" PVC COMBUSTION AIR INLET KIT (HU 50-150)
18	KIT18793	3" PVC COMBUSTION AIR INLET KIT (HU-200)
19	KIT18794	4" PVC COMBUSTION AIR INLET KIT (HU 300-400)
20	PAI00423	TOUCH UP PAINT, 12oz. SPRAY CAN (Black)
21	SEL01221	HIGH TEMP (RTV) SEALANT - 2.8oz. TUBE

All orderable Service Parts are identified for this product.

Parts that are not identified, will not be available to order.

This is a typical illustration. The unit in the field may not appear exactly as shown.

