

<b>Part No.</b>	<b>Reference No.</b>	<b>Quantity</b>	<b>Description</b>
75013373#HINAUP1~S	*		CONTROLS SECTION
75013375#HINAUP1~S	*		FAN ASSEMBLY
75013376#HINAUP1~S	*		FIELD FACTORY INSTALLED & OPTIONAL ACCESSORIES
75013374#HINAUP1~S	*		FILTER BOX ASSEMBLY
75013371#HINAUP1~S	*		FLUE COLLECTOR & POWER VENTER
75013369#HINAUP1~S	*		GENERAL ASSEMBLY
75013372#HINAUP1~S	*		HEAT EXCHANGER ASSEMBLY
HINAUP1_HINAUP1_5326805~P	*		HINAUP1 PARTS LIST
75013370#HINAUP1~S	*		MANIFOLD BURNER ASSEMBLY
75013377#HINAUP1~S	*		MODEL NUMBER DESCRIPTION (NOMENCLATURE)

MODEL NUMBER DESCRIPTION													75013377		REV A		
HIGH EFFICIENCY UNIT HEATERS																	
	H	I	N	A	0	5	0	1	1	1	0	1	A	E	9		
DIGIT	1	2	3	4	5	6	7	8	9	10	11	12	13	14	15		
Digit 1, 2	- Unit Type							Digit 12								- Motor Type	
	HI = High Efficiency Unit Heater															1 = Open Drip Proof (Standard)	
																S = Special	
Digit 3	- Gas Type																
	N = Natural Gas																
	P = LP Gas (Propane)																
	S = Special																
Digit 4	- Development Sequence																
	A = First Development Sequence																
Digit 5,6 & 7	- Input Capacity																
	050 = 4.16 Ton																
	100 = 8.3 Ton																
	150 = 12.5 Ton																
	200 = 16.67 Ton																
	300 = 25.0 Ton																
	400 = 33.3 Ton																
Digit 8	- Supply Voltage																
	1 = 115/60/1			5 = 230/60/3													
	2 = 208/60/1			6 = 460/60/3													
	3 = 230/60/1			7 = 575/60/3													
	4 = 208/60/3			S = Special													
Digit 9	- Direct Spark Gas Control																
	1 = Modulating w/Outside Air Reset (Master)																
	2 = Modulating w/Outside Air Reset (Network)																
	3 = Modulating w/Indoor Air Reset																
	4 = Modulating w/2-10 vdc/4-20 mA Input																
	5 = Modulating w/Room Sensing																
	6 = Two Stage																
	S = Special																
Digit 10	- Design Sequence																
	A = First Design																
Digit 11	- Blower Motor Sizes																
	0 = Standard																
All orderable Service Parts are identified for this product.																	
Parts that are not identified, will not be available to order.																	
This is a typical illustration. The unit in the field may not appear exactly as shown.																	

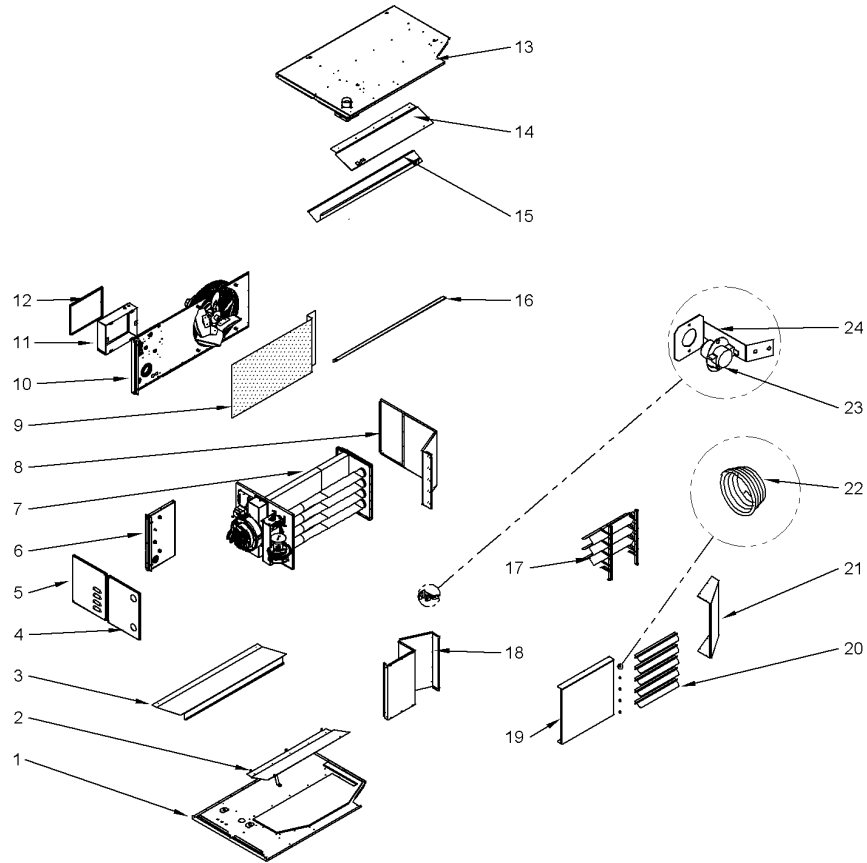
Part No.	Reference No.	Quantity	Description
75013377_HINAUP1_5326807~P	*		MODEL NUMBER DESCRIPTION (NOMENCLATURE) PARTS LIST

MODEL NUMBER DESCRIPTION													75013377		REV A				
HIGH EFFICIENCY UNIT HEATERS																			
	H	I	N	A	0	5	0	1	1	1	0	1	A	E	9				
DIGIT	1	2	3	4	5	6	7	8	9	10	11	12	13	14	15				
Digit 1, 2	- Unit Type							Digit 12								- Motor Type			
	HI = High Efficiency Unit Heater															1 = Open Drip Proof (Standard)			
																S = Special			
Digit 3	- Gas Type															Digit 13		- Furnace Type	
	N = Natural Gas															A = Right Side Access			
	P = LP Gas (Propane)															S = Special			
	S = Special																		
Digit 4	- Development Sequence															Digit 14 +		- Misc Accy Options	
	A = First Development Sequence															A71 = Pressure Reg, Range 0.5-10 PSI			
Digit 5,6 & 7	- Input Capacity															A73 = Pressure Reg, Range 10-20 PSI			
	050 = 4.16 Ton															A75 = Pressure Reg, Range 20-35 PSI			
	100 = 8.3 Ton															E9 = Condensate Neutralizer (Inline)			
	150 = 12.5 Ton															EW = Condensate Neutralizer (Wall Mounted)t			
	200 = 16.67 Ton															G1 = T87K Mercury Free Thermo w/Subbase Kit			
	300 = 25.0 Ton															G2 = T87K Merc Free Thermo wTG511A Guard			
	400 = 33.3 Ton															G3 = T834N Mercury Free Thermostat/Fan Swt			
Digit 8	- Supply Voltage															G5 = 2-Stg TH5220D Merc Free Thermo w/SB			
	1 = 115/60/1		5 = 230/60/3													G9 = 1-Stg T822K Merc Free Thermostat			
	2 = 208/60/1		6 = 460/60/3													G6 = Locking Thermostat Cover			
	3 = 230/60/1		7 = 575/60/3													H9 = Stratification Sensor			
	4 = 208/60/3		S = Special													K8 = Condensate Pump			
Digit 9	- Direct Spark Gas Control															K9 = Condensate Pump Shelf			
	1 = Modulating w/Outside Air Reset (Master)															Y2 = 2" PVC Concentric Vent Kit			
	2 = Modulating w/Outside Air Reset (Network)															Y3 = 3" PVC Concentric Vent Kit			
	3 = Modulating w/Indoor Air Reset															Y4 = 4" PVC Concentric Vent Kit			
	4 = Modulating w/2-10 vdc/4-20 mA Input															S = Special			
	5 = Modulating w/Room Sensing																		
	6 = Two Stage																		
	S = Special																		
Digit 10	- Design Sequence																		
	A = First Design																		
Digit 11	- Blower Motor Sizes																		
	0 = Standard																		
All orderable Service Parts are identified for this product.																			
Parts that are not identified, will not be available to order.																			
This is a typical illustration. The unit in the field may not appear exactly as shown.																			

HEGH  
GENERAL ASSEMBLY

75013369

REV.  
A



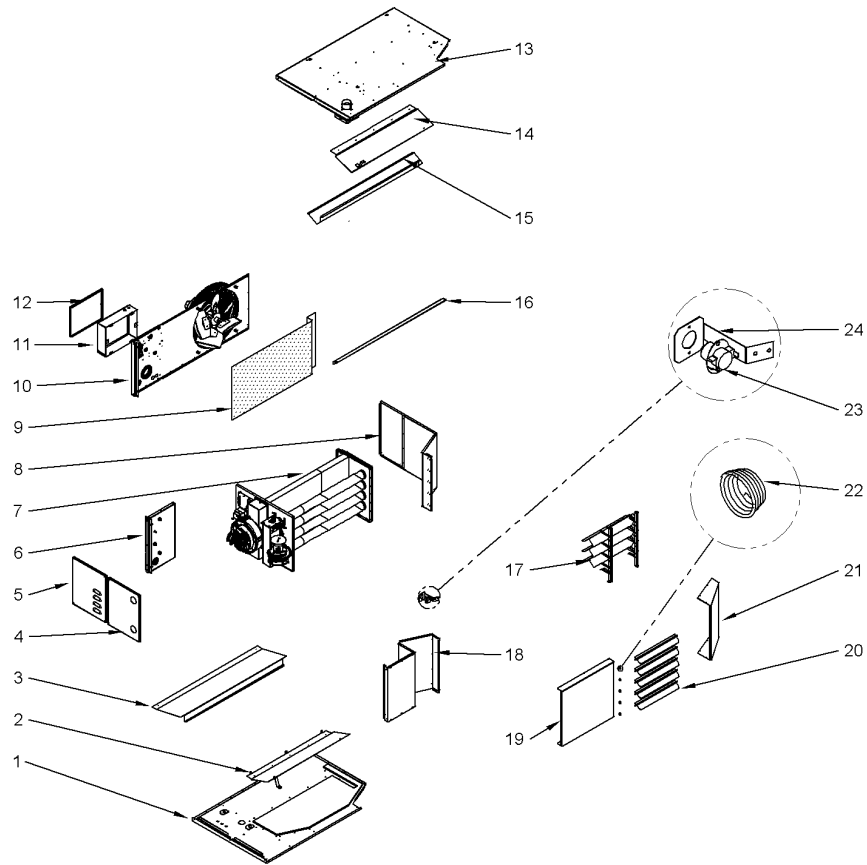
All orderable Service Parts are identified for this product.  
Parts that are not identified, will not be available to order.  
This is a typical illustration. The unit in the field may not appear exactly as shown.

Part No.	Reference No.	Quantity	Description
75013369_HINAUP1_287479~P	*		GENERAL ASSEMBLY PARTS LIST

HEGH  
GENERAL ASSEMBLY

75013369

REV.  
A



All orderable Service Parts are identified for this product.

Parts that are not identified, will not be available to order.

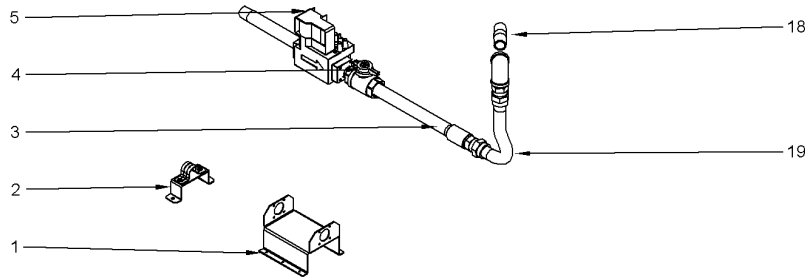
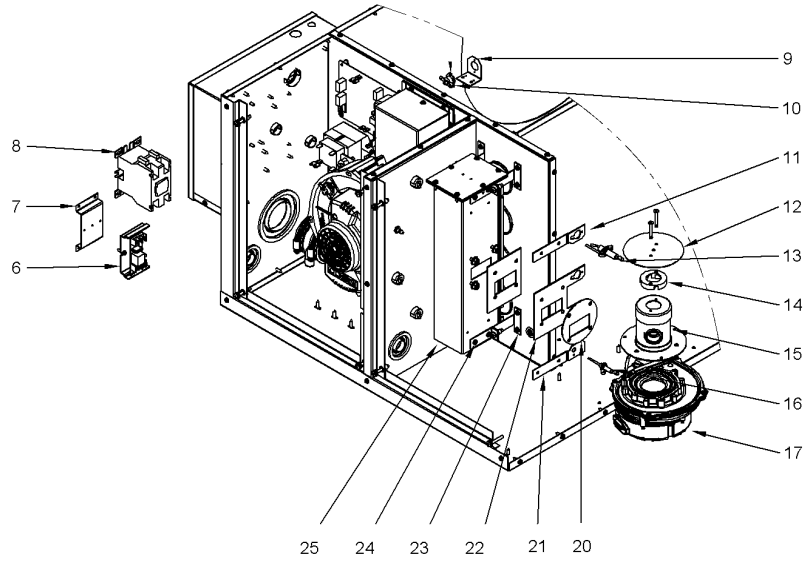
This is a typical illustration. The unit in the field may not appear exactly as shown.

Part No.	Reference No.	Quantity	Description
CAB01185	*	1	CABLE; IGNITION-36 IN. LONG
KIT18765	*	1	KIT; GAS CONVERSION KIT
KIT18768	*	1	KIT; GAS CONVERSION KIT
KIT18776	*	1	KIT; PNEUMATIC TUBING FITTING
KIT18778	*	1	KIT; STAINLESS STEEL WIPES
PAI00423	*	1	PAINT; TOUCH UP PAINT (CAN)
SEN02839	*	1	SENSOR; OUTDOOR AIR
SEN02840	*	1	SENSOR; ROOM
TUB15134	*	1	TUBE; PNEUMATIC TUBING, 3/16 ID KIT
TUB15135	*	1	TUBE; PNEUMATIC TUBING, 1/8 ID KIT
TUB15143	*	1	TUBE; CONDENSATE TRAP
PNL36443	1	1	PANEL; BOTTOM JACKET PANEL W/ INSULATION
PNL36484	3	1	PANEL; TOP BLOCK-OFF
PNL36502	4	1	PANEL; BURNER ACCESS
PNL36497	5	1	PANEL; POWER VENTER (DRAFTER) ACCESS PANEL
PNL36464	6	1	PANEL; PARTITION
EXC02896	7	1	EXCHANGER; VESTIBULE PANEL/HEAT EXCHANGER ASSEMBLY
PNL36459	8	1	PANEL; LEFT SIDE JACKET PANEL W/ INSULATION
SRN01075	9	1	SCREEN; HEAT EXCHANGER
PNL36473	10	1	PANEL; REAR JACKET
BOX03877	11	1	BOX; CONTROL BOX BASE (WRAPPER)
BOX03880	12	1	BOX; CONTROL BOX ACCESS PANEL
PNL36478	13	1	PANEL; TOP JACKET PANEL W/ INSULATION
PNL36484	15	1	PANEL; TOP BLOCK-OFF
PNL36489	16	1	PANEL; HEAT EXCHANGER ASSEMBLY BLOCK-OFF
BAF01497	17	1	BAFFLE; HEAT EXCHANGER BAFFLE ASSEMBLY
PNL36454	18	1	PANEL; RIGHT FRONT PANEL JACKET W/ INSULATION
PNL36438	19	1	PANEL; RIGHT FAÇADE PANEL
LVR01283	20	4	LOUVERS; (QTY. REQ'D PER CAPACITY)
PNL36434	21	1	PANEL; LEFT FAÇADE PANEL
SPG00194	22	4	SPRING; CONE, ADJUSTABLE LOUVERS FOR HORZ. AND VERT.(ORDER QTY EQUALS PIECES)
SWT04298	23	2	SWITCH; HIGH LIMIT (QTY. REQ'D PER CAPACITY)
BRK05099	24	2	BRACKET; HIGH LIMIT SWITCH (QTY. REQ'D PER CAPACITY)

HEGH  
MANIFOLD BURNER ASSEMBLY

75013370

REV.  
A



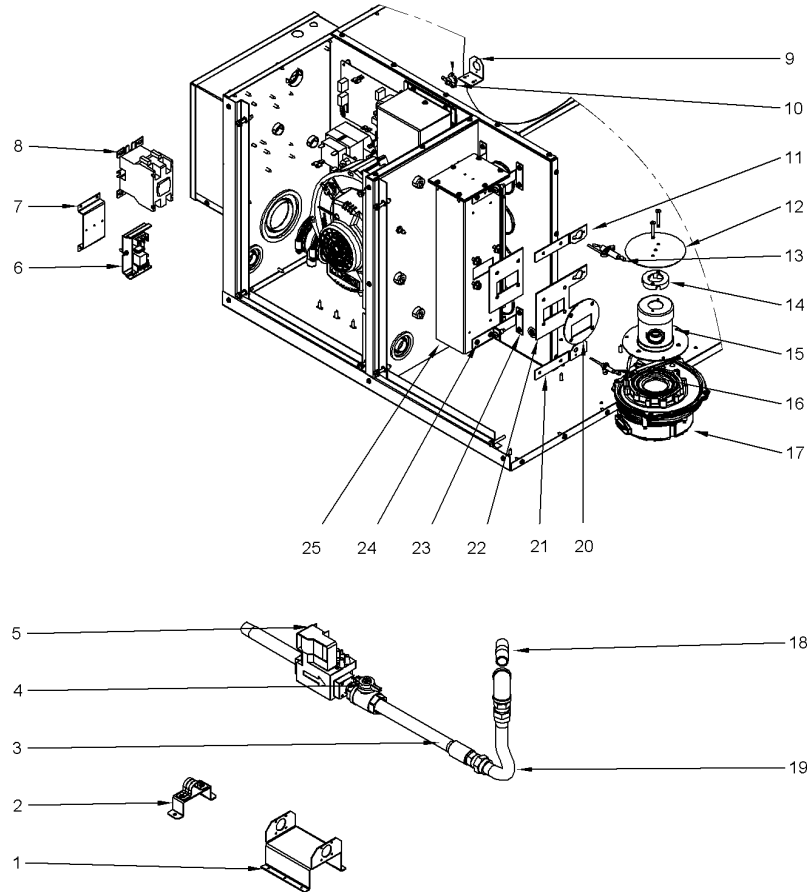
All orderable Service Parts are identified for this product.  
Parts that are not identified, will not be available to order.  
This is a typical illustration. The unit in the field may not appear exactly as shown.

Part No.	Reference No.	Quantity	Description
75013370_HINAUP1_287481~P	*		MANIFOLD BURNER ASSEMBLY PARTS LIST

HEGH  
MANIFOLD BURNER ASSEMBLY

75013370

REV.  
A



All orderable Service Parts are identified for this product.

Parts that are not identified, will not be available to order.

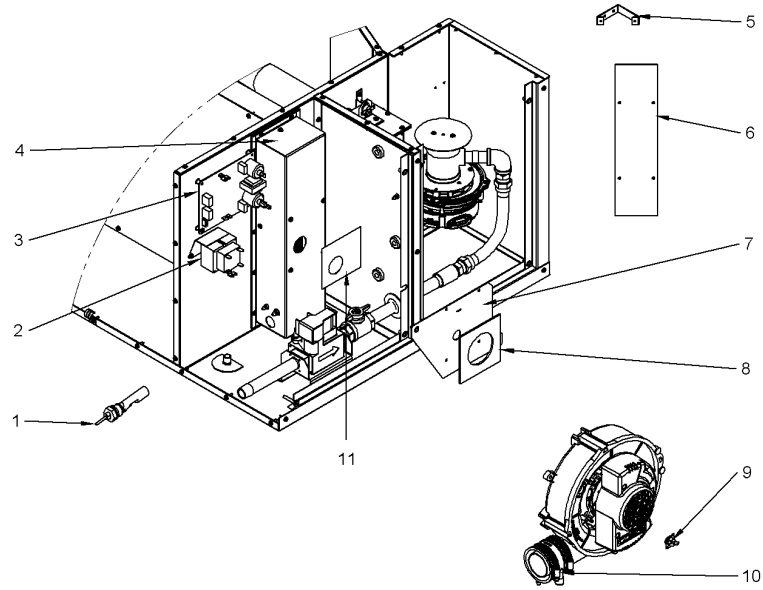
This is a typical illustration. The unit in the field may not appear exactly as shown.

Part No.	Reference No.	Quantity	Description
TUB15140	3	1	TUBE; GAS PIPING ASSEMBLY
VAL19329	5	1	VALVE; GAS MODULATING
RLY01872	6	1	RELAY;10A AT 115 VAC, DPDT, 230/115 OR 24 V COIL(K24)
BRK05097	7	1	BRACKET; FAN RELAY
BRK05090	9	1	BRACKET; MANUAL ROLLOUT SAFETY SWITCH
SWT04299	10	1	SWITCH; MANUAL ROLLOUT SAFETY
PLT06481	12	1	PLATE; INLET AIR COVER PLATE
CNT05013	13	1	CONTROL; SPARK IGNITOR
DST01160	14	1	DISTRIBUTOR; INLET AIR
BOX03865	15	1	BOX; MIXING CHAMBER
SEN01458	16	1	SENSOR; FLAME
BLW01591	17	1	BLOWER; COMBUSTION
ORF02057	18	1	ORIFICE; NATURAL GAS 0.281
HSE02007	19	1	HOSE ; FLEXIBLE GAS CONNECTOR
GKT05008	20	1	GASKET; COMBUSTION BLOWER
BRK05091	22	1	BRACKET; FLAME SENSOR AND IGNITOR
BRK05098	23	4	BRACKET; BURNER, VESTIBULE SIDE
BRK05093	24	4	BRACKET;BURNER BOX SIDE
BOX03869	25	1	BOX; BURNER BOX ASSEMBLY (FLAME SENSOR & IGNITOR SOLD SEPARATELY)

HEGH  
FLUE COLLECTOR & POWER VENTER

75013371

REV.  
A



All orderable Service Parts are identified for this product.

Parts that are not identified, will not be available to order.

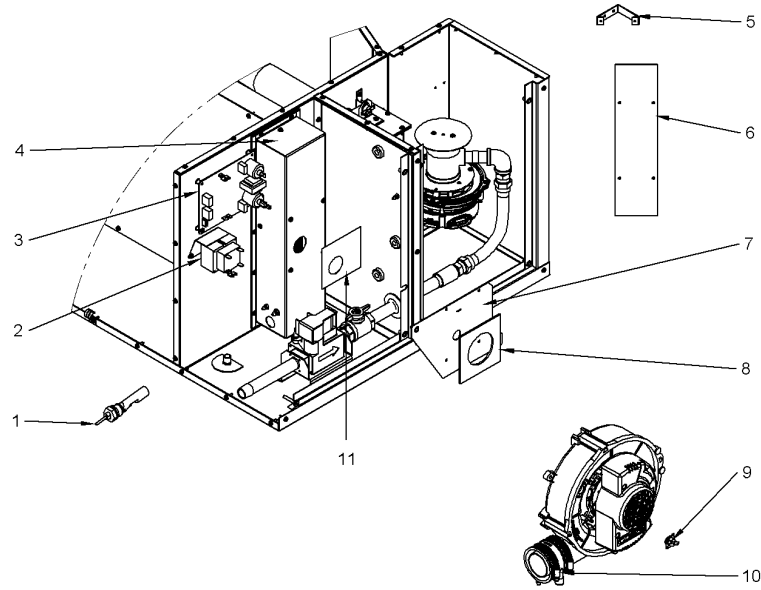
This is a typical illustration. The unit in the field may not appear exactly as shown.

Part No.	Reference No.	Quantity	Description
75013371_HINAUP1_287485~P	*		FLUE COLLECTOR & POWER VENTER PARTS LIST

HEGH  
FLUE COLLECTOR & POWER VENTER

75013371

REV.  
A



All orderable Service Parts are identified for this product.

Parts that are not identified, will not be available to order.

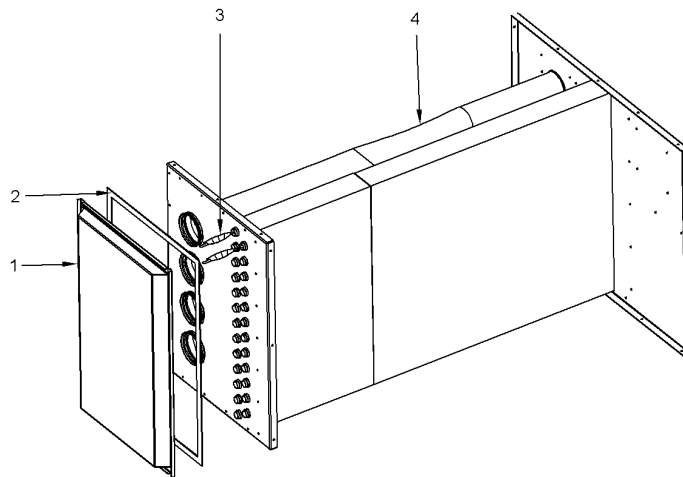
This is a typical illustration. The unit in the field may not appear exactly as shown.

<b>Part No.</b>	<b>Reference No.</b>	<b>Quantity</b>	<b>Description</b>
SWT04290	1	1	SWITCH; FLOAT
TRR01251	2	1	TRANSFORMER; 50VA, 120V PRI., 24V SEC
CNT08038	3	1	CONTROL; IGNITION CONTROL BOARD
FLU00402	4	1	FLUE; COLLECTOR
BRK05089	5	2	BRACKET; MIRROR
PNL36493	6	1	PANEL; BURNER MIRROR
PLT06484	7	1	PLATE; POWER VENTER (DRAFTER) MOUNTING PLATE
GKT05007	8	1	GASKET; POWER VENTER (DRAFTER) GASKET
SWT04297	9	1	SWITCH; FLUE LIMIT SWITCH
PNL36428	10	1	PANEL; POWER VENTER (DRAFTER) ASSEMBLY (INCLUDES GASKET)
GKT05014	11	1	GASKET; INLET AIR COLLAR

HEGH  
HEAT EXCHANGER ASSY

75013372

REV.  
A



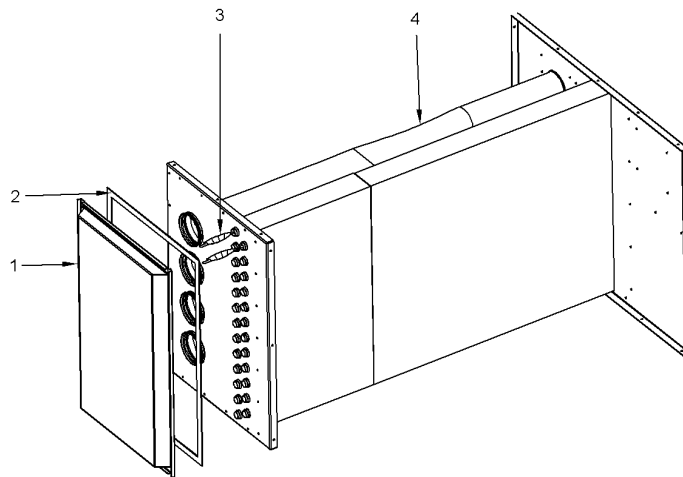
All orderable Service Parts are identified for this product.  
Parts that are not identified, will not be available to order.  
This is a typical illustration. The unit in the field may not appear exactly as shown.

Part No.	Reference No.	Quantity	Description
75013372_HINAUP1_287486~P	*		HEAT EXCHANGER ASSEMBLY PARTS LIST

HEGH  
HEAT EXCHANGER ASSY

75013372

REV.  
A



All orderable Service Parts are identified for this product.  
Parts that are not identified, will not be available to order.  
This is a typical illustration. The unit in the field may not appear exactly as shown.

Parts List Number :HINAUP1#HINAUP1

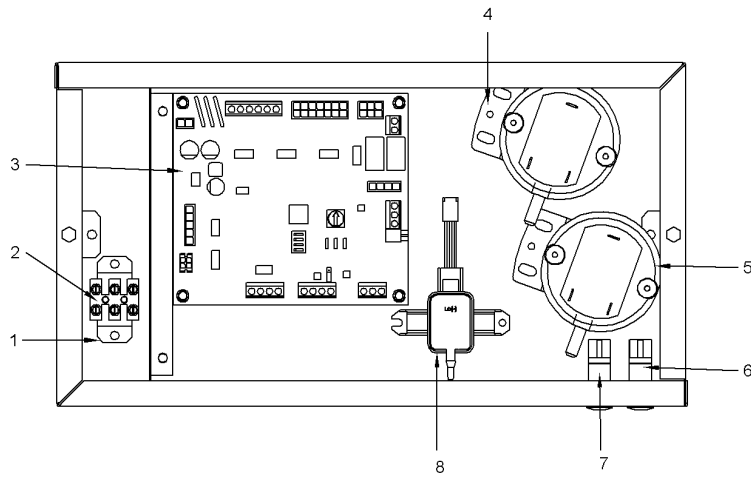
Model Number :HINA05016A01A

<b>Part No.</b>	<b>Reference No.</b>	<b>Quantity</b>	<b>Description</b>
COV05658	1	1	COVER; TURN COVER
GKT05010	2	1	GASKET; TURN COVER
TRB00239	3	13	TURBULATORS (QTY. REQ'D PER CAPACITY)
EXC02896	4	1	EXCHANGER; VESTIBULE PANEL/HEAT EXCHANGER ASSEMBLY

HEGH  
CONTROLS SECTION

75013373

REV.  
A



All orderable Service Parts are identified for this product.

Parts that are not identified, will not be available to order.

This is a typical illustration. The unit in the field may not appear exactly as shown.

CONTROLS SECTION

Parts List Number :HINAUP1#HINAUP1

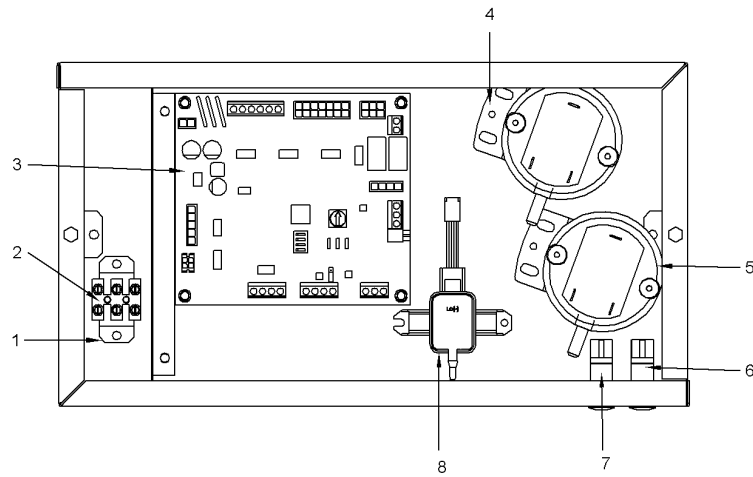
Model Number :HINA05016A01A

Part No.	Reference No.	Quantity	Description
75013373_HINAUP1_5326796~P	*		CONTROLS SECTION PARTS LIST

HEGH  
CONTROLS SECTION

75013373

REV.  
A



All orderable Service Parts are identified for this product.

Parts that are not identified, will not be available to order.

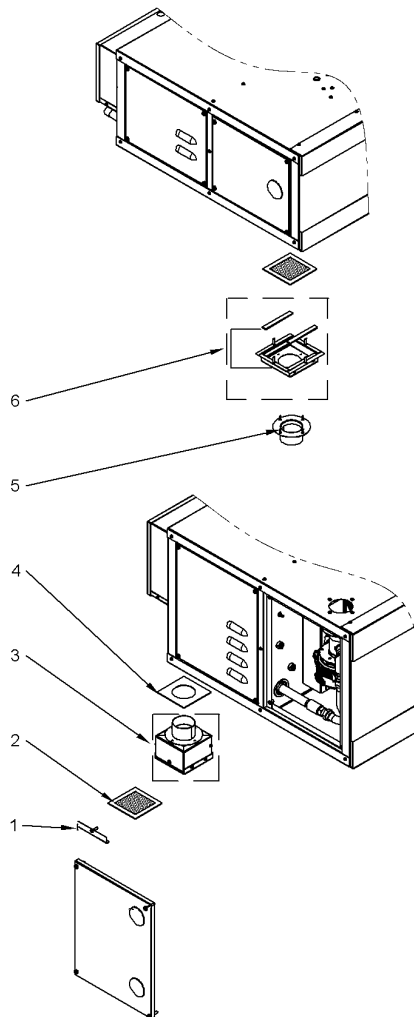
This is a typical illustration. The unit in the field may not appear exactly as shown.

<b>Part No.</b>	<b>Reference No.</b>	<b>Quantity</b>	<b>Description</b>
TRR01251	*	1	TRANSFORMER; 50VA, 120V PRI., 24V SEC
BLK01707	1	1	BRACKET; TERMINAL BLOCK BRACKET
BLK01708	2	1	BLOCK; TERMINAL
CNT08036	3	1	CONTROL; MAIN CONTROL BOARD
SWT04292	4	1	SWITCH; PRESSURE SWITCH, POWER VENTER (DRAFTER) - GREY
SWT04291	5	1	SWITCH; PRESSURE SWITCH, BLOCKED INLET - TURQOISE
LIT01389	6	1	LIGHT; LED INDICATOR, RED
LIT01390	7	1	LIGHT; LED INDICATOR, ORANGE
TDR00754	8	1	TRANSDUCER; PRESSURE

HEGH  
FILTER BOX ASSY

75013374

REV.  
A



All orderable Service Parts are identified for this product.

Parts that are not identified, will not be available to order.

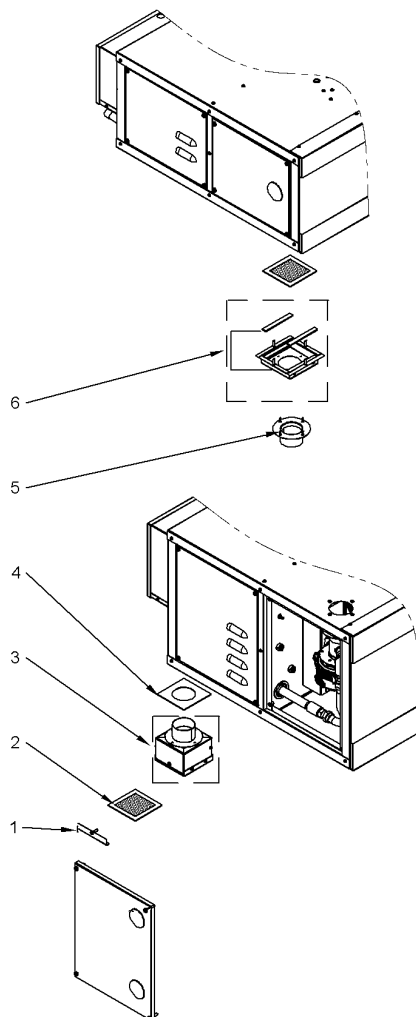
This is a typical illustration. The unit in the field may not appear exactly as shown.

Part No.	Reference No.	Quantity	Description
75013374_HINAUP1_287488~P	*		FILTER BOX ASSEMBLY PARTS LIST

HEGH  
FILTER BOX ASSY

75013374

REV.  
A



All orderable Service Parts are identified for this product.

Parts that are not identified, will not be available to order.

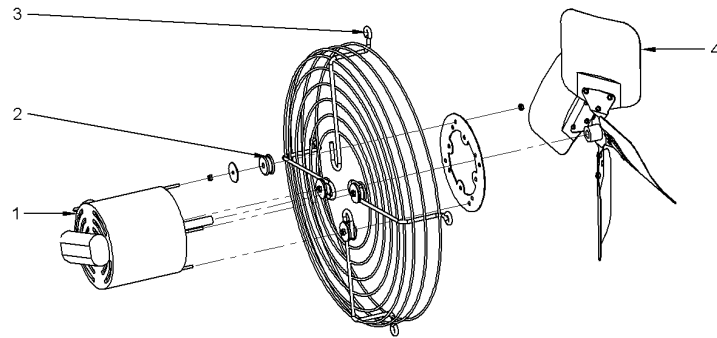
This is a typical illustration. The unit in the field may not appear exactly as shown.

<b>Part No.</b>	<b>Reference No.</b>	<b>Quantity</b>	<b>Description</b>
FLR08998	2	1	FILTER;
GKT05011	4	1	GASKET; INLET AIR COLLAR
CPL01442	5	1	COUPLING; INLET AIR COLLAR
BOX03881	6	1	BOX; FILTER BOX

HEGH  
FAN ASSY

75013375

REV.  
A



All orderable Service Parts are identified for this product.

Parts that are not identified, will not be available to order.

This is a typical illustration. The unit in the field may not appear exactly as shown.

Parts List Number :HINAUP1#HINAUP1

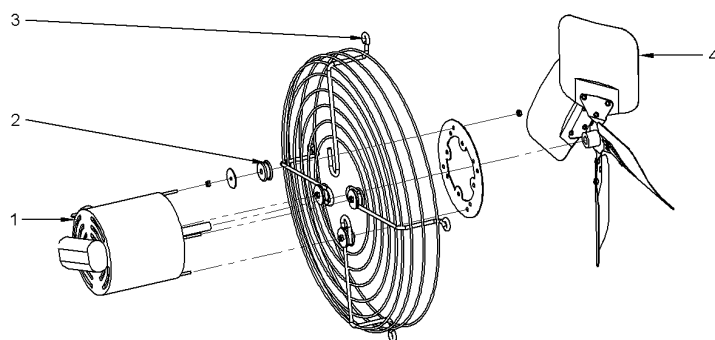
Model Number :HINA05016A01A

Part No.	Reference No.	Quantity	Description
75013375_HINAUP1_287489~P	*		FAN ASSEMBLY PARTS LIST

HEGH  
FAN ASSY

75013375

REV.  
A



All orderable Service Parts are identified for this product.

Parts that are not identified, will not be available to order.

This is a typical illustration. The unit in the field may not appear exactly as shown.

<b>Part No.</b>	<b>Reference No.</b>	<b>Quantity</b>	<b>Description</b>
MOT19186	1	2	MOTOR; FAN MOTOR (ODP)
KIT18774	2	2	KIT; FAN/GUARD/MOTOR MOUNT HARDWARE
GRD01896	3	2	GUARD; OSHA FAN
BLD01355	4	2	BLADE; FAN

HEGH  
 FIELD FACTORY INSTALLED & OPTIONAL ACCY'S

75013376

REV.  
A

1	REG00599	PRESSURE REGULATOR (0.5 to 10 PSI ) NATURAL GAS [A7]
2	REG00600	PRESSURE REGULATOR (10 to 20 PSI ) NATURAL GAS [A7]
3	REG00601	PRESSURE REGULATOR (20 to 35 PSI ) NATURAL GAS [A7]
4	THT03087	T87K 1-STAGE THERMOSTAT, WITH SUBBASE [G1] *
5	THT02569	T87K 1-STAGE THERMOSTAT, WITH SUBBASE and TG511A Guard Kit [G2] *
6	THT03088	T834N 1-STAGE W/ FAN SWITCH THERMOSTAT (STERLING LOGO) [G3] *
7	THT02244	TH5220D 2-STAGE THERMOSTAT, WITH SUBBASE [G5] *
8	GRD00334	TG511A UNIVERSAL THERMOSTAT GUARD/LOCKING COVER [G6]
9	THT03089	T822K 1-STAGE THERMOSTAT [G9] *
10	KIT18790	Condensate Neutralizer - Inline (E9)
11	KIT18806	Condensate Neutralizer - Inline (E9)
12	KIT18791	Condensate Neutralizer - Wall Mounted (EW)
13	KIT18807	Condensate Neutralizer - Wall Mounted (EW)
14	SEN02841	Stratification Sensors
15	PMP02306	Condensate Pump (K8)
16	PMP02307	Condensate Pump Shelf (K9)
17	KIT18792	2" PVC COMBUSTION AIR INLET KIT (HU 50-150)
18	KIT18793	3" PVC COMBUSTION AIR INLET KIT (HU-200)
19	KIT18794	4" PVC COMBUSTION AIR INLET KIT (HU 300-400)
20	PAI00423	TOUCH UP PAINT, 12oz. SPRAY CAN (Black)
21	SEL01221	HIGH TEMP (RTV) SEALANT - 2.8oz. TUBE

All orderable Service Parts are identified for this product.

Parts that are not identified, will not be available to order.

This is a typical illustration. The unit in the field may not appear exactly as shown.

Parts List Number :HINAUP1#HINAUP1

Model Number :HINA05016A01A

Part No.	Reference No.	Quantity	Description
75013376_HINAUP1_5326806~P	*		FIELD FACTORY INSTALLED & OPTIONAL ACCESSORIES PARTS LIST

HEGH  
 FIELD FACTORY INSTALLED & OPTIONAL ACCY'S

75013376

REV.  
A

1	REG00599	PRESSURE REGULATOR (0.5 to 10 PSI ) NATURAL GAS [A7]
2	REG00600	PRESSURE REGULATOR (10 to 20 PSI ) NATURAL GAS [A7]
3	REG00601	PRESSURE REGULATOR (20 to 35 PSI ) NATURAL GAS [A7]
4	THT03087	T87K 1-STAGE THERMOSTAT, WITH SUBBASE [G1] *
5	THT02569	T87K 1-STAGE THERMOSTAT, WITH SUBBASE and TG511A Guard Kit [G2] *
6	THT03088	T834N 1-STAGE W/ FAN SWITCH THERMOSTAT (STERLING LOGO) [G3] *
7	THT02244	TH5220D 2-STAGE THERMOSTAT, WITH SUBBASE [G5] *
8	GRD00334	TG511A UNIVERSAL THERMOSTAT GUARD/LOCKING COVER [G6]
9	THT03089	T822K 1-STAGE THERMOSTAT [G9] *
10	KIT18790	Condensate Neutralizer - Inline (E9)
11	KIT18806	Condensate Neutralizer - Inline (E9)
12	KIT18791	Condensate Neutralizer - Wall Mounted (EW)
13	KIT18807	Condensate Neutralizer - Wall Mounted (EW)
14	SEN02841	Stratification Sensors
15	PMP02306	Condensate Pump (K8)
16	PMP02307	Condensate Pump Shelf (K9)
17	KIT18792	2" PVC COMBUSTION AIR INLET KIT (HU 50-150)
18	KIT18793	3" PVC COMBUSTION AIR INLET KIT (HU-200)
19	KIT18794	4" PVC COMBUSTION AIR INLET KIT (HU 300-400)
20	PAI00423	TOUCH UP PAINT, 12oz. SPRAY CAN (Black)
21	SEL01221	HIGH TEMP (RTV) SEALANT - 2.8oz. TUBE

All orderable Service Parts are identified for this product.

Parts that are not identified, will not be available to order.

This is a typical illustration. The unit in the field may not appear exactly as shown.

Parts List Number :HINAUP1#HINAUP1

Model Number :HINA05016A01A