

PROJECT: _____	UNIT TAG: _____	QUANTITY: _____
REPRESENTATIVE: _____	TYPE OF SERVICE: _____	DATE: _____
ENGINEER: _____	SUBMITTED BY: _____	DATE: _____
CONTRACTOR: _____	APPROVED BY: _____	DATE: _____
	ORDER NO.: _____	DATE: _____

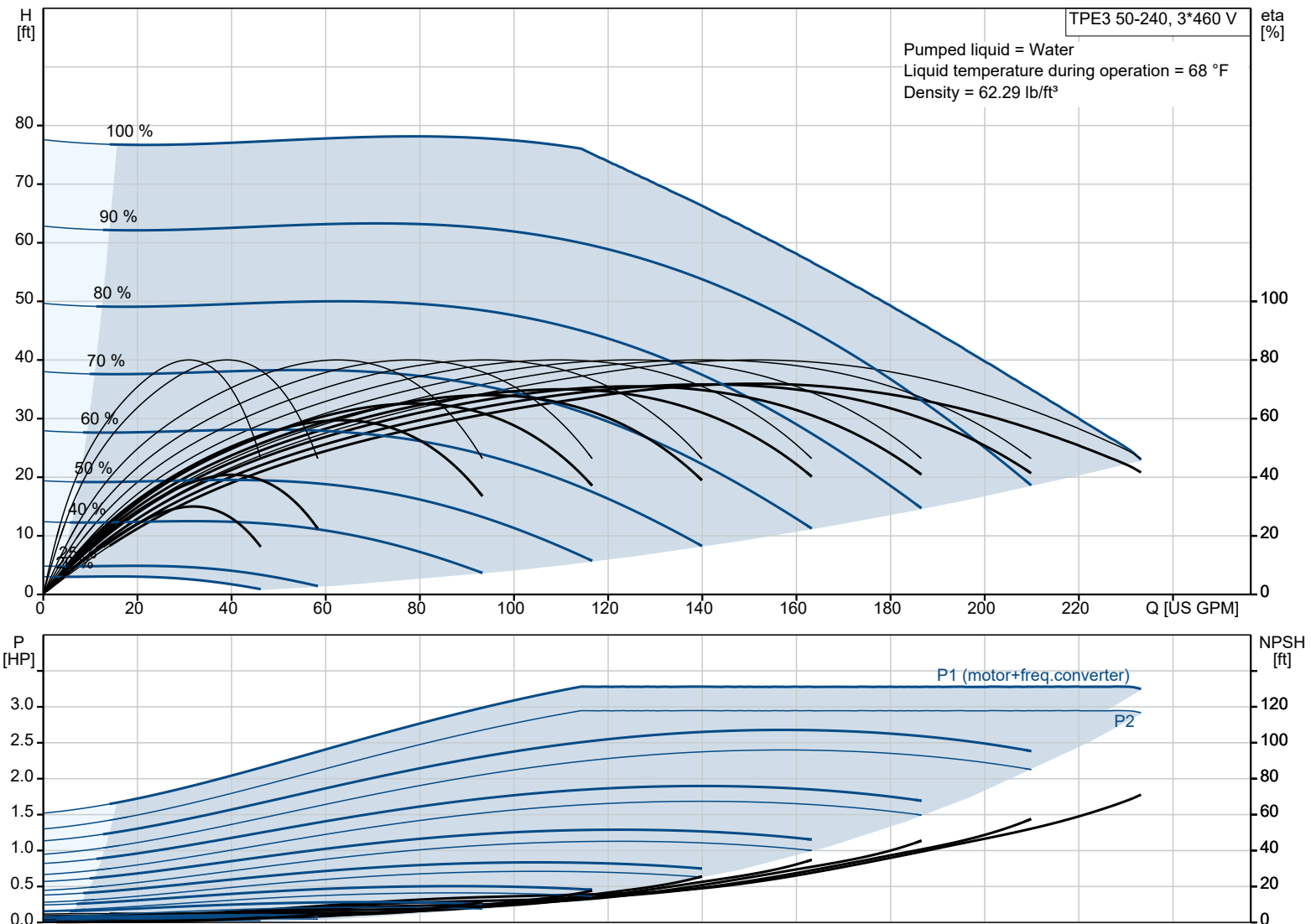


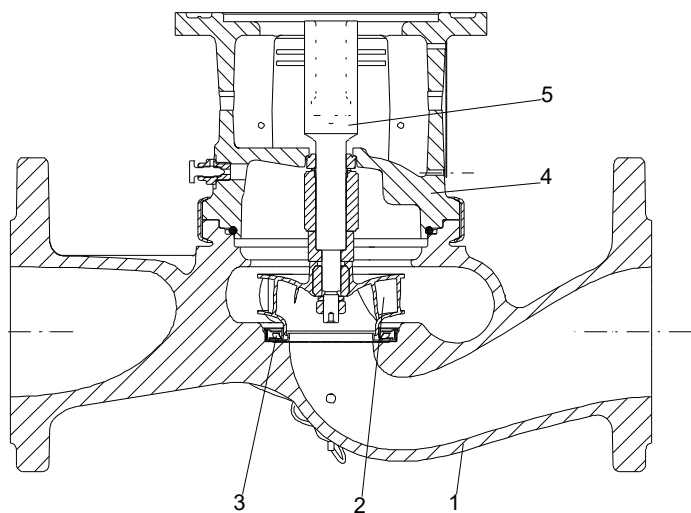
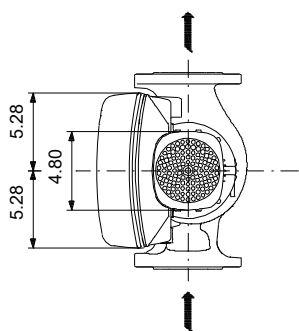
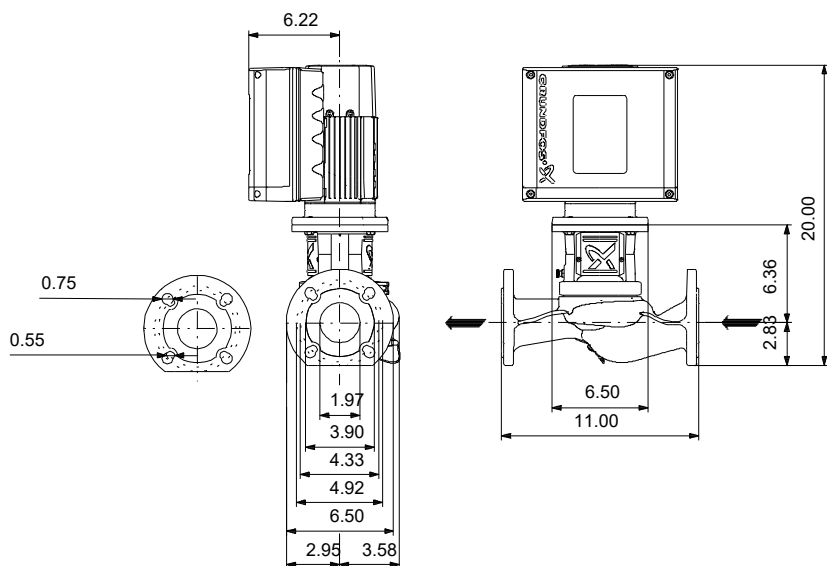
TPE3 50-240 S-A-G-A-BQQE-IYC

Grundfos TPE Series 2000, TPE3 pumps are single-stage, close-coupled in-line centrifugal pumps with mechanical shaft seal and primely for applications such as heating/cooling/district energy. The pumps are fitted with frequency controlled motors and differential pressure transmitter.

Note! Product picture may differ from actual product

Conditions of Service		Pump Data		Motor Data	
Liquid:	Water	Max pressure at stated temp:	174.05 psi / 248 °F	Rated voltage:	440-480 V
Temperature:	68 °F	Liquid temperature range:	-13 .. 248 °F	Mains frequency:	60 Hz
Specific Gravity:	1.000	Maximum ambient temperature:	122 °F	Enclosure class:	IP55
		Shaft seal:	BQQE	Insulation class:	F
		Product number:	98819631	Motor protection:	ELEC
				Motor type:	90C
				Eta 1/1:	89.2 %





Materials:

- Pump housing: Cast iron
- Pump housing: ASTM class 35
- Impeller: Composite
- Material code: A

Qty. | Description

1 TPE3 50-240 S-A-G-A-BQQE-IYC



Note! Product picture may differ from actual product

Product No.: [98819631](#)

Single-stage, close-coupled, volute pump with in-line suction and discharge ports of identical diameter. The pump is of the top-pull-out design, i.e. the power head (motor, pump head and impeller) can be removed for maintenance or service while the pump housing remains in the pipework.

The shaft seal is according to EN 12756. The pump is fitted with a fan-cooled, permanent-magnet synchronous motor. The motor efficiency is classified as IE5 in accordance with IEC 60034-30-2.

The motor includes a frequency converter and PI controller in the motor terminal box. This enables continuously variable control of the motor speed, which again enables adaptation of the performance to a given requirement. The pump is fitted with a combined temperature- and differential pressure sensor.

Controls:

Frequency converter: Built-in

Liquid:

Pumped liquid: Water
Liquid temperature range: -13 .. 248 °F
Selected liquid temperature: 68 °F
Density: 62.29 lb/ft³

Technical:

Pump speed on which pump data are based: 5500 rpm
Rated flow: 146 US GPM
Rated head: 64.31 ft
Actual impeller diameter: 2.91 in
Code for shaft seal: BQQE
Curve tolerance: ISO9906:2012 3B2

Materials:

Pump housing: Cast iron
EN-GJL-250
ASTM class 35
Impeller: Composite
PES+30% GF

Installation:

Range of ambient temperature: -4 .. 122 °F
Maximum operating pressure: 174.05 psi
Max pressure at stated temp: 174.05 psi / 248 °F
Type of connection: GF
Size of connection: GF 53
Pressure rating for connection: PN 12
Port-to-port length: 11 1/16 in
Flange size for motor: 56C

Electrical data:

Motor type: 90C
Rated power - P2: 3 HP
Mains frequency: 60 Hz
Rated voltage: 3 x 440-480 V
Rated current: 4 A
Cos phi - power factor: 0.87
Rated speed: 480-5900 rpm
IE Efficiency class: IE5



Company name:

Created by:

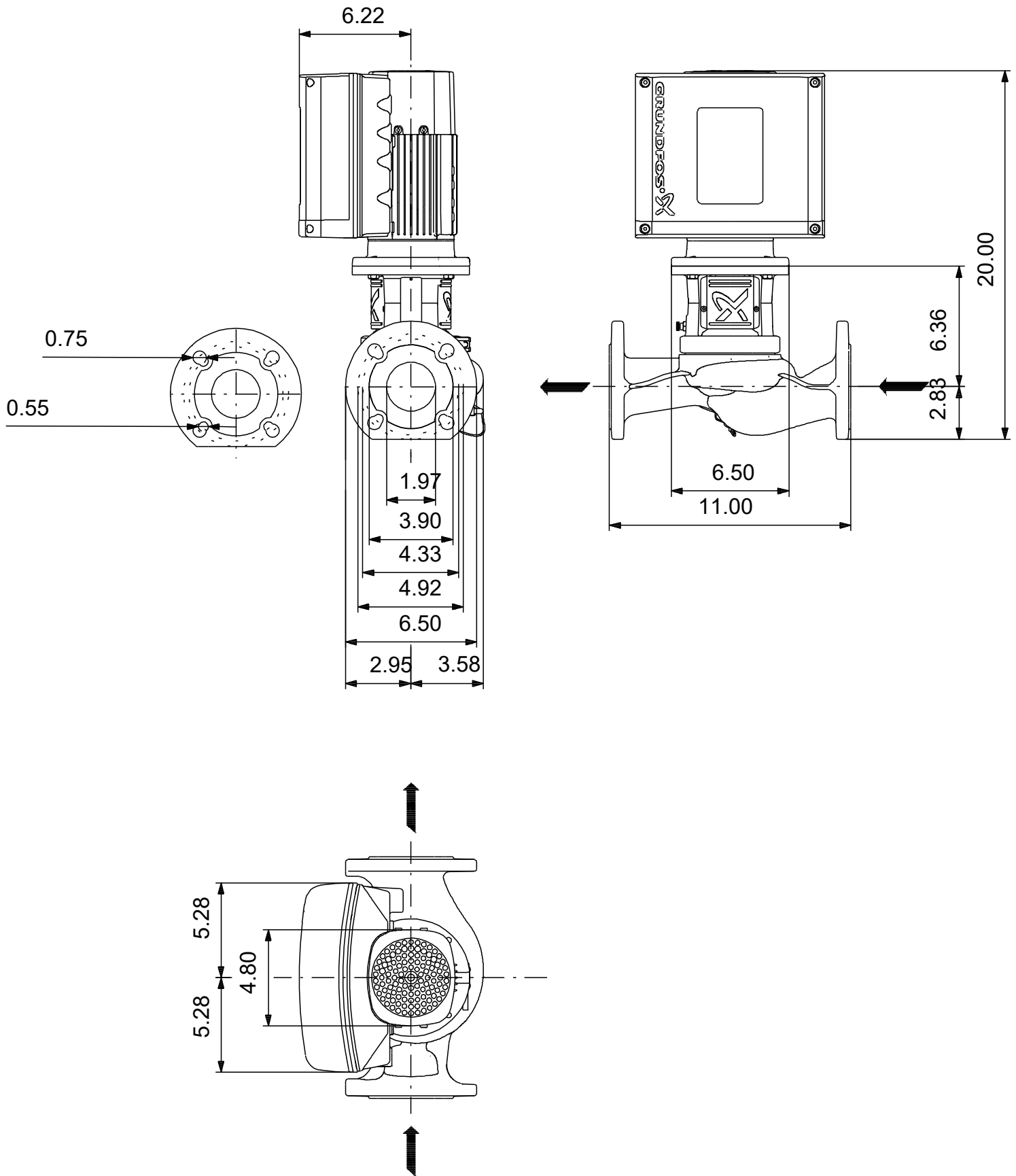
Phone:

Date:

24/10/2023

Qty.	Description																				
1	<table><tr><td>Motor efficiency at full load:</td><td>89.2 %</td></tr><tr><td>Enclosure class (IEC 34-5):</td><td>IP55</td></tr><tr><td>Insulation class (IEC 85):</td><td>F</td></tr><tr><td>Motor No:</td><td>99630351</td></tr><tr><td colspan="2">Others:</td></tr><tr><td>Net weight:</td><td>63.9 lb</td></tr><tr><td>Gross weight:</td><td>79.8 lb</td></tr><tr><td>Shipping volume:</td><td>3.67 ft³</td></tr><tr><td>Country of origin:</td><td>HU</td></tr><tr><td>Custom tariff no.:</td><td>8413.70.2022</td></tr></table>	Motor efficiency at full load:	89.2 %	Enclosure class (IEC 34-5):	IP55	Insulation class (IEC 85):	F	Motor No:	99630351	Others:		Net weight:	63.9 lb	Gross weight:	79.8 lb	Shipping volume:	3.67 ft ³	Country of origin:	HU	Custom tariff no.:	8413.70.2022
Motor efficiency at full load:	89.2 %																				
Enclosure class (IEC 34-5):	IP55																				
Insulation class (IEC 85):	F																				
Motor No:	99630351																				
Others:																					
Net weight:	63.9 lb																				
Gross weight:	79.8 lb																				
Shipping volume:	3.67 ft ³																				
Country of origin:	HU																				
Custom tariff no.:	8413.70.2022																				

98819631 TPE3 50-240 S-A-G-A-BQQE-IYC 60 Hz



Note! All units are in [in] unless others are stated.
 Disclaimer: This simplified dimensional drawing does not show all details.