
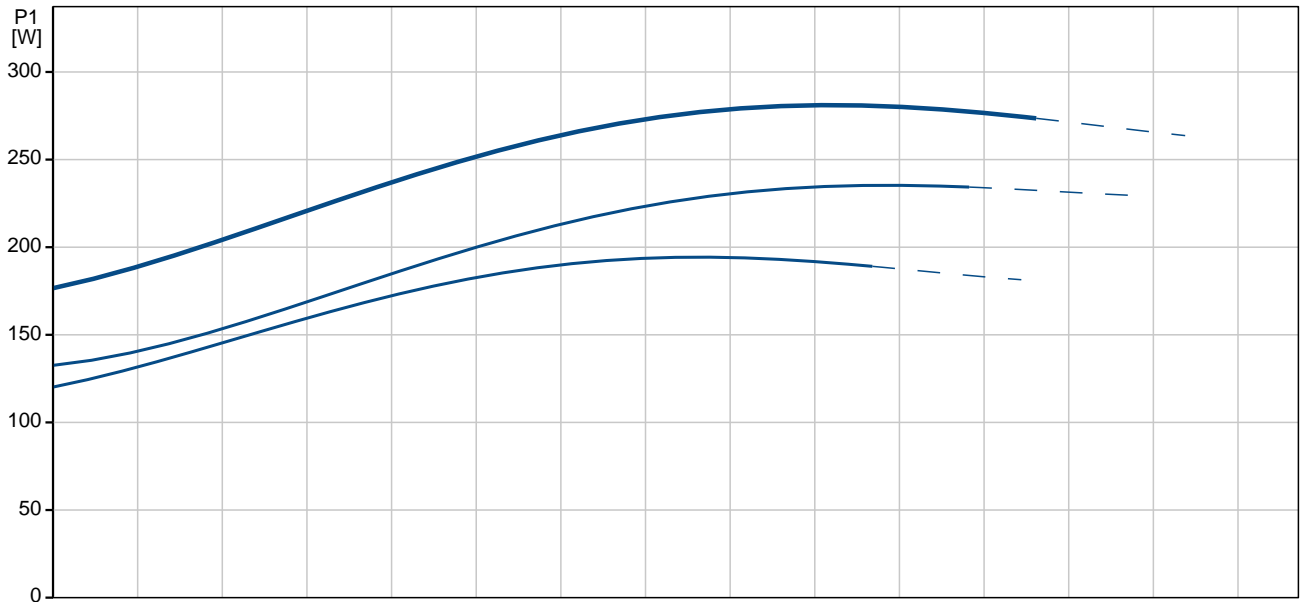
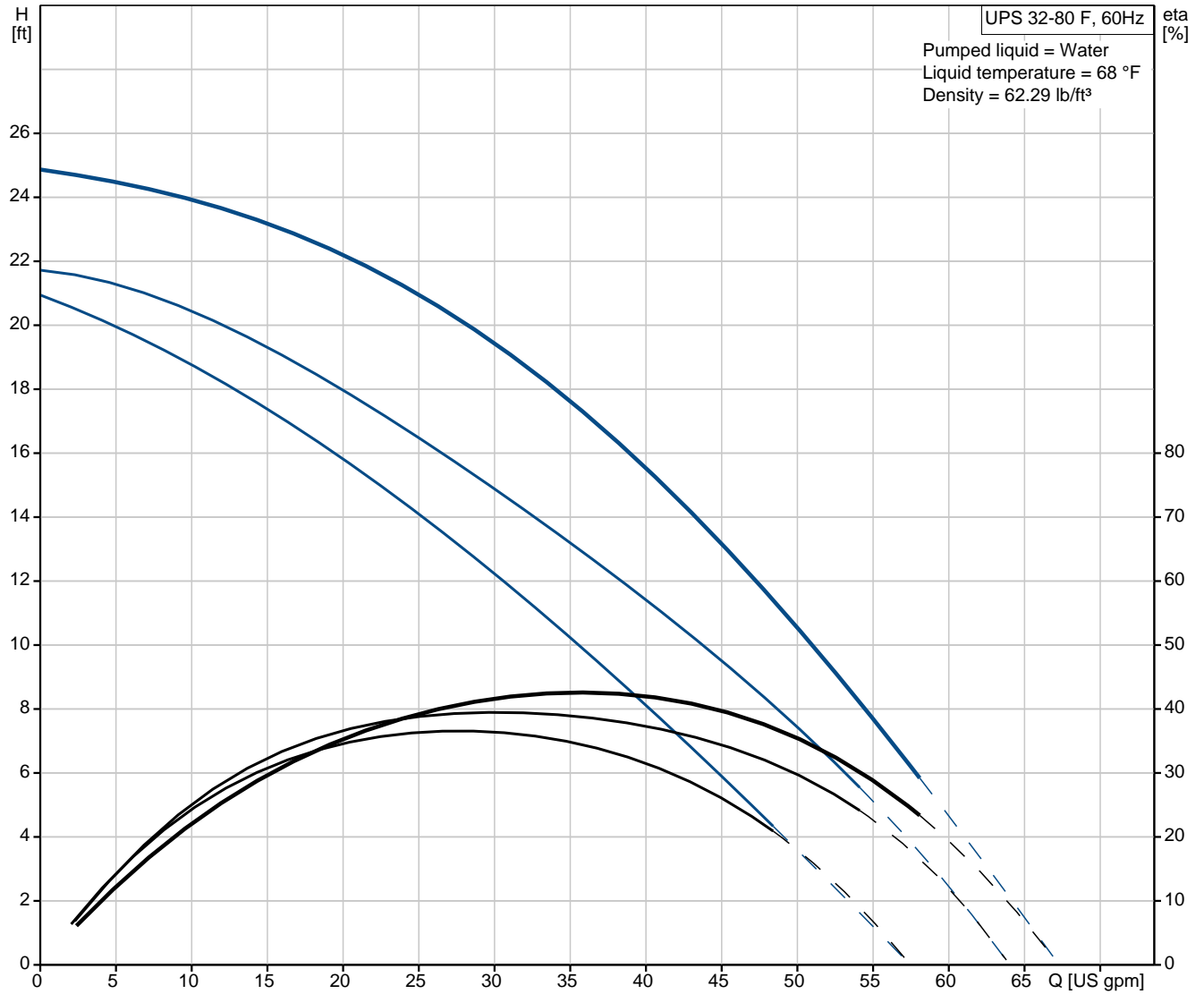


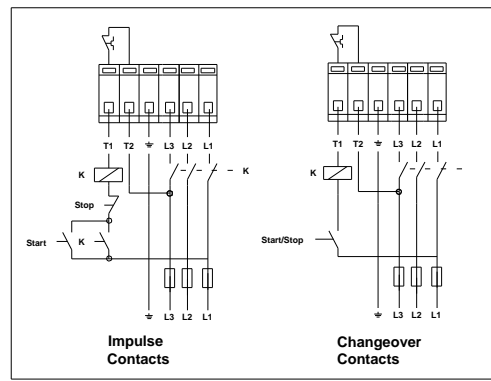
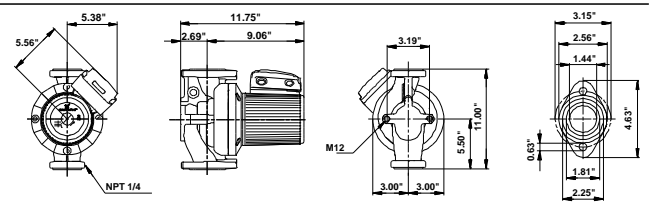
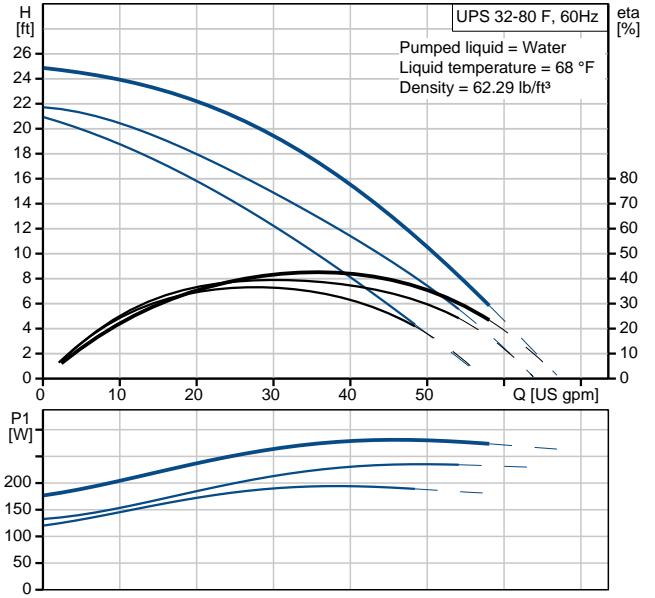
Position	Count	Description
	1	<p data-bbox="380 159 521 191"><b>UPS 32-80 F</b></p>  <p data-bbox="764 506 1218 527">Product photo could vary from the actual product</p> <p data-bbox="380 537 643 558">Product No.: <a href="#">96402710</a></p> <p data-bbox="380 569 906 680">The pump is of the canned rotor type, i.e. pump and motor form an integral unit without shaft seal and with only two gaskets for sealing. The bearings are lubricated by the pumped liquid.</p> <p data-bbox="380 716 906 800">In order to avoid problems in connection with disposal, great importance has been attached to using as few different materials as possible.</p> <p data-bbox="380 835 708 856">The pump is characterized by:</p> <ul data-bbox="415 863 873 1094" style="list-style-type: none"> <li>* 3 speed motor.</li> <li>* Ceramic radial bearings.</li> <li>* Carbon axial bearing.</li> <li>* Stainless steel rotor can, bearing plate and rotor cladding.</li> <li>* Aluminium alloy stator housing.</li> <li>* Cast iron pump housing.</li> <li>* Stator with built-in thermal switch.</li> </ul> <p data-bbox="380 1129 708 1150">The motor is a 3-phase motor.</p> <p data-bbox="380 1186 886 1304">The pump is supplied with a standard module in the terminal box. The standard module is to be connected to the mains supply via external contactor.</p> <p data-bbox="380 1339 488 1360"><b>Controls:</b></p> <p data-bbox="380 1367 873 1388">Relay: without relay</p> <p data-bbox="380 1423 461 1444"><b>Liquid:</b></p> <p data-bbox="380 1451 865 1472">Liquid temperature range: 14 .. 248 °F</p> <p data-bbox="380 1507 500 1528"><b>Technical:</b></p> <p data-bbox="380 1535 789 1556">Approvals on nameplate: CUL</p> <p data-bbox="380 1591 493 1612"><b>Materials:</b></p> <p data-bbox="380 1619 938 1703">Pump housing: Cast iron EN-JL1040 ASTM 35 B - 40 B</p> <p data-bbox="380 1717 938 1801">Impeller: Stainless steel DIN W.-Nr. 1.4301 AISI 304</p> <p data-bbox="380 1837 516 1858"><b>Installation:</b></p> <p data-bbox="380 1864 865 1885">Range of ambient temperature: 32 .. 104 °F</p>

Position	Count	Description
		<p>Maximum operating pressure: 145 psi  Flange standard: USA Oval  Type of connection: F  Pipe connection: GF 15/26  Pressure stage: 145 psi  Port-to-port length: 11 in</p> <p><b>Electrical data:</b>  Power input in speed 1: 195 W  Power input in speed 2: 235 W  Max. power input: 280 W  Main frequency: 60 Hz  Rated voltage: 3 x 208-230 V  Current in speed 1: 0.58 A  Current in speed 2: 0.72 A  Current in speed 3: 1.1 A  Cos phi in speed 1: 0,84  Cos phi in speed 2: 0,82  Cos phi: 0,64  Enclosure class (IEC 34-5): X4D  Insulation class (IEC 85): F  Winding resistance: 44.0 - 57.5 ohm</p> <p><b>Others:</b>  Net weight: 35.9 lb  Gross weight: 43.4 lb  Shipping volume: 2.08 ft³</p>

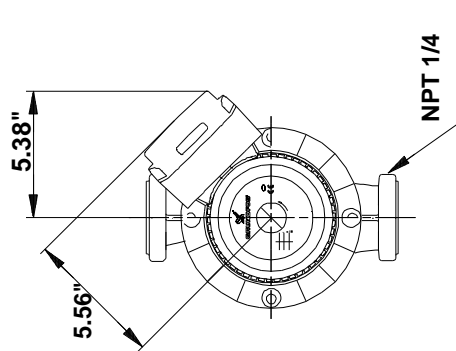
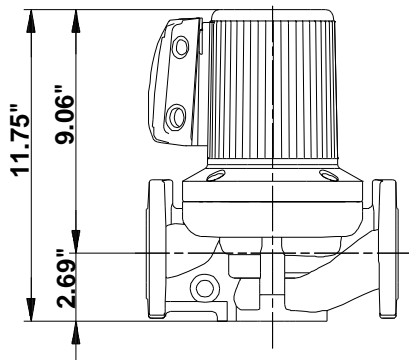
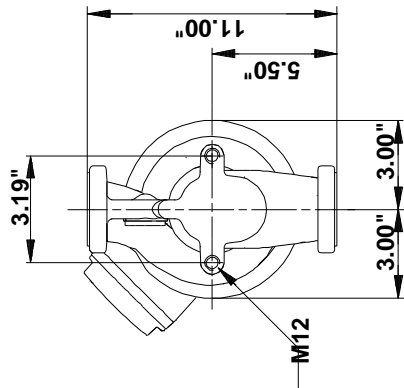
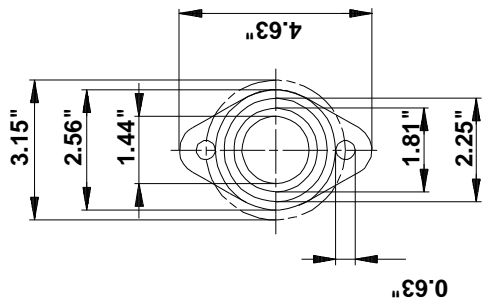
# 96402710 UPS 32-80 F 60 Hz



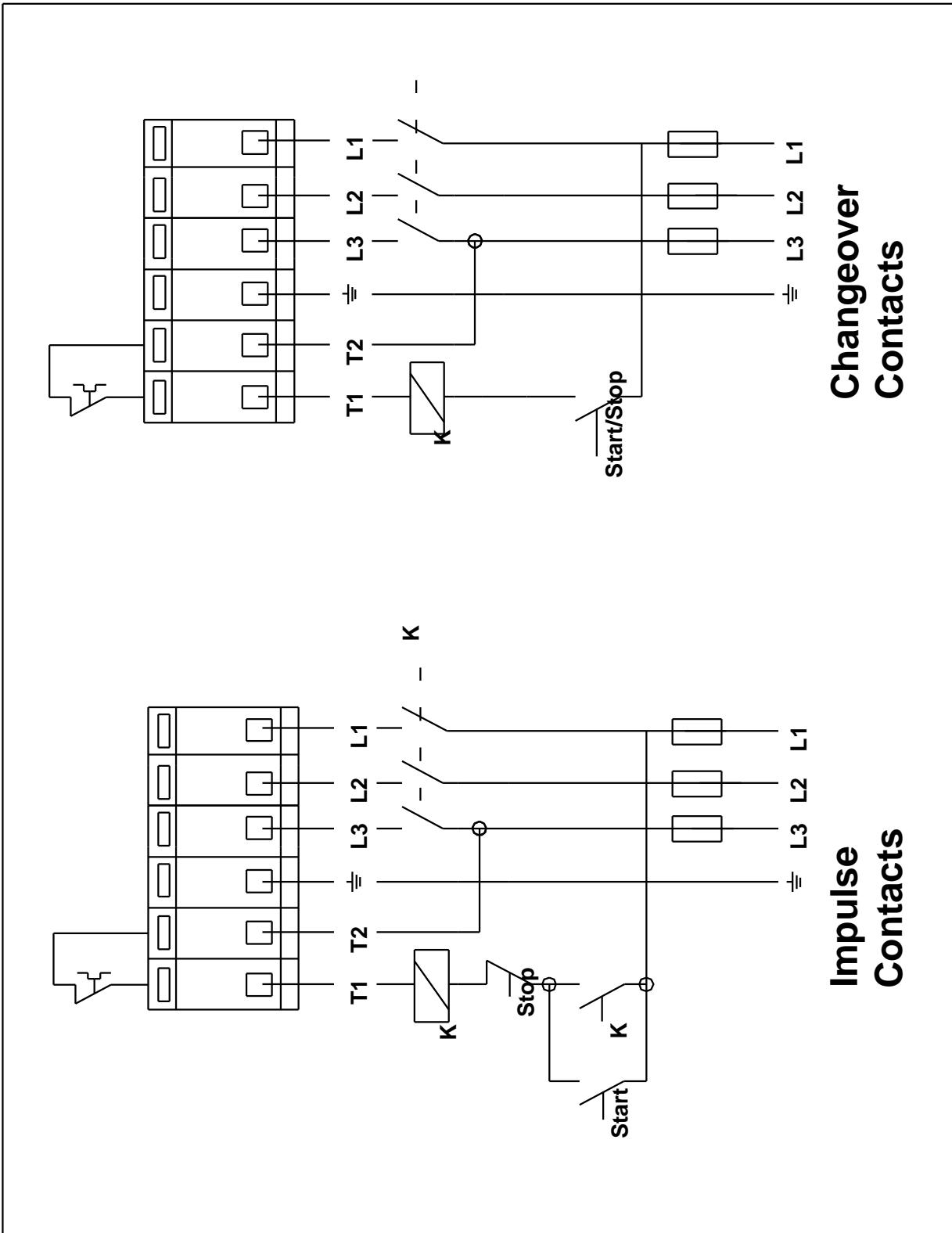
Description	Value
<b>General information:</b>	
Product name:	UPS 32-80 F
Position:	
Product No.:	96402710
EAN:	5700390678470
Price:	On request
<b>Technical:</b>	
Speed Number:	3
Head max:	26.2 ft
Approvals on nameplate:	CUL
Model:	C
<b>Materials:</b>	
Pump housing:	Cast iron EN-JL1040 ASTM 35 B - 40 B
Impeller:	Stainless steel DIN W.-Nr. 1.4301 AISI 304
<b>Installation:</b>	
Range of ambient temperature:	32 .. 104 °F
Maximum operating pressure:	145 psi
Flange standard:	USA Oval
Type of connection:	F
Pipe connection:	GF 15/26
Pressure stage:	145 psi
Port-to-port length:	11 in
<b>Liquid:</b>	
Liquid temperature range:	14 .. 248 °F
<b>Electrical data:</b>	
Power input in speed 1:	195 W
Power input in speed 2:	235 W
Max. power input:	280 W
Main frequency:	60 Hz
Rated voltage:	3 x 208-230 V
Current in speed 1:	0.58 A
Current in speed 2:	0.72 A
Current in speed 3:	1.1 A
Cos phi in speed 1:	0,84
Cos phi in speed 2:	0,82
Cos phi:	0,64
Enclosure class (IEC 34-5):	X4D
Insulation class (IEC 85):	F
Motor protection:	CONTACT
Thermal protec:	external
Winding resistance	44.0 - 57.5 ohm
<b>Controls:</b>	
Relay:	without relay
Pos term box:	1.30H
<b>Others:</b>	
Net weight:	35.9 lb
Gross weight:	43.4 lb
Shipping volume:	2.08 ft³
Sales region:	Namreg



# 96402710 UPS 32-80 F 60 Hz



Note! All units are in [mm] unless otherwise stated.  
Disclaimer: This simplified dimensional drawing does not show all details.



All units are [mm] unless otherwise presented.