

**Service parts UPS 32-80 F, Prod number 96402710**  
**Valid from 23.9.2013 (1339)**

-	Kit, gaskets		96406940	1	pcs
	Gasket			1	pcs
	Gasket			1	pcs
19d	O-ring			1	pcs
72a	O-ring	Diameter: 113		1	pcs
		Material type: EPDM			
		Thickness: 3			
72a	O-ring	Diameter: 155		1	pcs
		Material type: EPDM			
		Thickness: 4			
100	O-ring	Diameter: 18		1	pcs
		Material type: EPDM			
		Thickness: 4			
-	Pump head		96407076	1	pcs
	Stator set			1	pcs
-	17a	Inspection screw cpl.		1	pcs
17	Air vent			1	pcs
100	O-ring			1	pcs
26	Screw			3	pcs
109	O-ring			1	pcs
172b	Shaft w/impeller			1	pcs
-	Pump		96408997	1	pcs
-	Kit, coupling		00339124	1	pcs
9	Hex socket head cap screw	Designation: DIN 912		4	pcs
		Length: 25			
		Thread: M8			
10a	Coupling half			2	pcs
10	Shaft pin	Diameter: 5		1	pcs
		Length: 26			
-	Kit, shaft seal BUBE		96409265	1	pcs
72a	O-ring	Diameter: 154		1	pcs
		Material type: EPDM			
		Thickness: 4			
72a	O-ring			1	pcs
105	Shaft seal	Material type: EPDM		1	pcs
-	Shaft w/impeller cpl.		98313243	1	pcs
49b	Bulk, Split cone nut (10 pcs)		96547794	1	pcs
49b	Bulk, Split cone (10 pcs)		96547795	1	pcs
49	Impeller		96547856	1	pcs
51	Pump shaft		96547792	1	pcs
+	Pump housing cpl.		98313187	1	pcs
-	Motor stool cpl.		98313294	1	pcs
2	Motor stool		96591240	1	pcs
71	Cup		95062253	1	pcs
-	Motor		98190199	1	pcs
-	252a	Kit, adapter	98345796	1	pcs
-	252a	Adapter set		1	pcs
		Adapter		1	pcs
		Adapter		1	pcs
		Cable gland		1	pcs
-	291	Kit, Antenna	98271482	1	pcs
		Antenna		1	pcs
		Cable gland		1	pcs
-	Kit, bearing cpl.		98330605	1	pcs
154	Ball bearing	Designation: 6204.2Z.C3.SYN	96604525	1	pcs
154	Ball bearing			1	pcs
156d	Gasket	Inner diameter: 114,80		1	pcs
		Outer diameter: 121,20			
		Thickness: 0,25			
156c	Seal ring			1	pcs

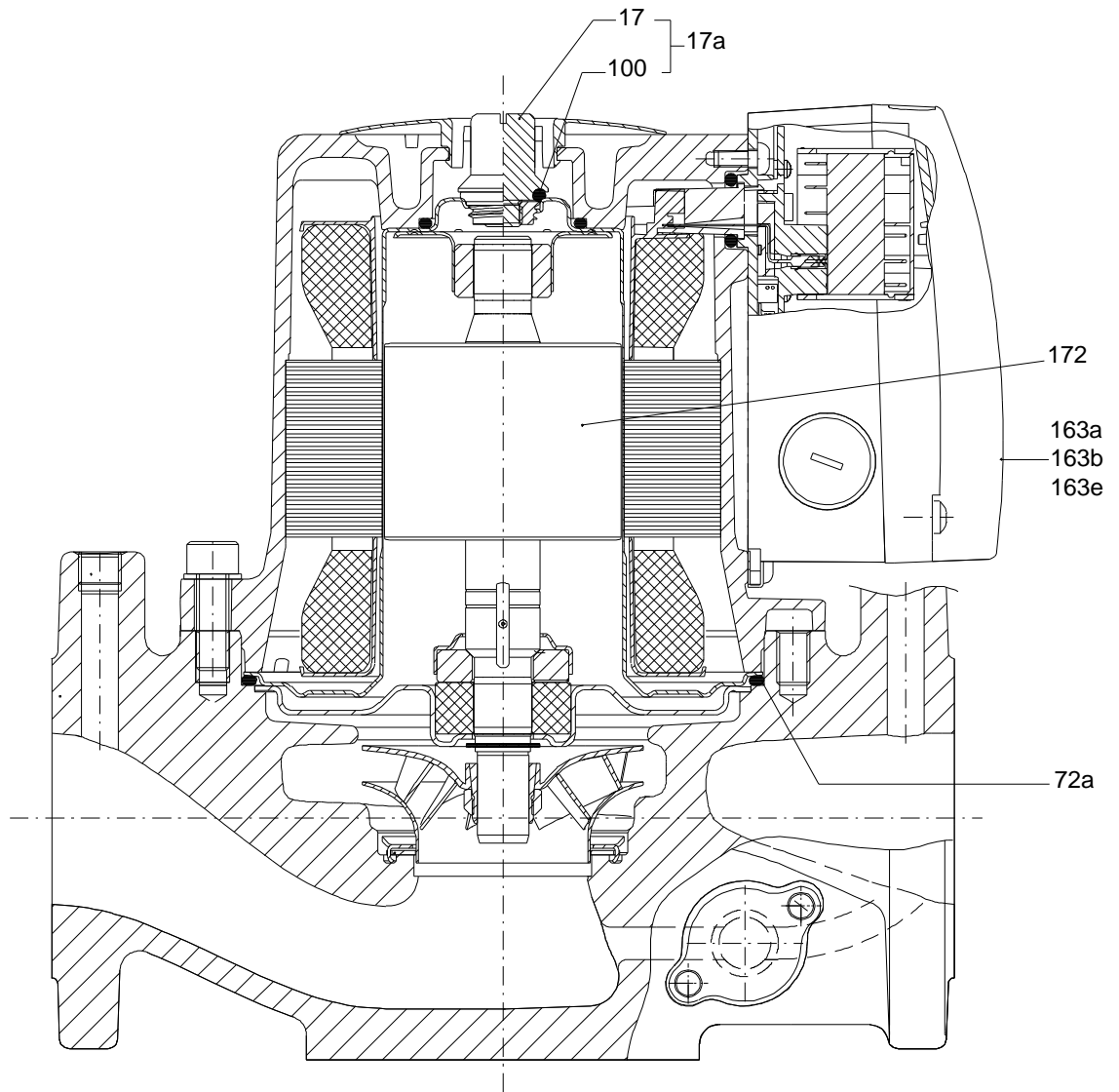
156c	Seal ring		1	pcs
158a	O-ring	Diameter: 47	1	pcs
		Material type: NBR		
		Thickness: 3		
158	Waved washer		1	pcs
-	Kit, Blanking plug	98334761	1	pcs
252b	Blanking plug		4	pcs
- 293	Kit, cable gland	98337338	1	pcs
- 293	Cable gland	98271486	1	pcs
	Cable gland		3	pcs
	Cable gland		1	pcs
- 293	Kit, cable gland	98337339	1	pcs
- 293	Cable glands set	98271487	1	pcs
	Cable gland		10	pcs
- 293	Kit, cable gland	98337340	1	pcs
- 293	Cable glands set	98271488	1	pcs
	Cable gland		10	pcs
- 293	Kit, cable gland	98337341	1	pcs
- 293	Cable glands set	98271489	1	pcs
	Cable gland		10	pcs
- 293	Kit, cable gland	98337337	1	pcs
- 293	Cable gland	98271485	1	pcs
	Cable gland		1	pcs
	Cable gland		2	pcs
	Cable gland		1	pcs
- 293	Kit, cable gland	98337336	1	pcs
- 293	Cable glands set	98271484	1	pcs
	Cable gland		2	pcs
	Cable gland		1	pcs
-	Kit, Connector plugs	98403113	1	pcs
266	Connector		1	pcs
266	Connector plug 8-pole		1	pcs
266	Connector plug 8-pole		1	pcs
266	Connector plug 8-pole		1	pcs
266	Connector plug 3-pole		1	pcs
266	Connector plug		1	pcs
266	Connector plug		1	pcs
266	Connector plug		1	pcs
- 164e	Kit, control box cpl.	98406652	1	pcs
	Jumper		1	pcs
152	Pan head thread forming screw		1	pcs
166	Screw		2	pcs
178	Thread forming screw		4	pcs
251d	Screw		4	pcs
251b	Control box		1	pcs
251a	Control box		1	pcs
252b	Blanking plug		4	pcs
268a	Base		1	pcs
268	Screw		1	pcs
273	Funct. Module cpl.		1	pcs
275a	Pin		1	pcs
277a	Pan head screw		1	pcs
277a	Pan head screw		1	pcs
277a	Pan head screw		5	pcs
277	Isolation cover		1	pcs
286	Spacer		1	pcs
286	Spacer		1	pcs
287	Cover		1	pcs
288b	Washer		6	pcs
288a	Pan head thread forming screw		6	pcs
288	Wire clamp		3	pcs
289	Wire clamp		1	pcs
290	Control panel, cpl.		1	pcs
-	Kit, Control box upper	98334765	1	pcs
251d	Screw		4	pcs
251b	Control box		1	pcs

-	Kit, Control panel		98334772	1	pcs
290	Control panel, cpl.			1	pcs
-	Kit, cover		98330622	1	pcs
287	Cover			1	pcs
-	Kit, fan		98290124	1	pcs
152	Pan head thread forming screw			4	pcs
156c	Seal ring			1	pcs
156	Fan			1	pcs
-	Kit, fan cover		98330566	1	pcs
151	Fan cover			1	pcs
152	Pan head thread forming screw			4	pcs
-	Kit, flange		98290128	1	pcs
156d	Gasket	Inner diameter: 114,80 Outer diameter: 121,20 Thickness: 0,25		1	pcs
156b	Flange			1	pcs
185	Pan head screw			4	pcs
186	Drain plug			1	pcs
188	Retaining ring			1	pcs
-	Kit, Funct. module		98334776	1	pcs
273a	Pan head screw			5	pcs
273	Funct. Module cpl.			1	pcs
275a	Pin			1	pcs
286	Spacer			1	pcs
-	Kit, Isolation cover		98330625	1	pcs
277a	Pan head screw			1	pcs
277	Isolation cover			1	pcs
-	Kit, Lower part cpl.		98330619	1	pcs
178	Thread forming screw			4	pcs
251a	Control box			1	pcs
275a	Pin			1	pcs
277a	Pan head screw			1	pcs
277	Isolation cover			1	pcs
-	Kit, motor		98293853	1	pcs
154	Ball bearing	Designation: 6204.2Z.C3.SYN	96604525	1	pcs
	Terminal			3	pcs
	Terminal plug			1	pcs
	Stator			1	pcs
	Shaft w/rotor			1	pcs
	Stator housing			1	pcs
151	Fan cover			1	pcs
153a	Retaining ring			1	pcs
153a	Retaining ring			1	pcs
153	Ball bearing			1	pcs
156d	Gasket	Inner diameter: 114,80 Outer diameter: 121,20 Thickness: 0,25		1	pcs
156c	Seal ring			1	pcs
156b	Flange			1	pcs
156	Fan			1	pcs
158a	O-ring	Diameter: 47 Material type: NBR Thickness: 3		1	pcs
158	Waved washer			1	pcs
159a	Seal ring			1	pcs
178	Thread forming screw			4	pcs
185	Pan head screw			4	pcs
186	Drain plug			1	pcs
289a	Pan head thread forming screw			1	pcs
289a	Pan head thread forming screw			4	pcs
-	Kit, screws		98330627	1	pcs
268a	Base			1	pcs
268	Screw			1	pcs
288b	Washer			6	pcs
288a	Pan head thread forming screw			6	pcs
288	Wire clamp			3	pcs

289a	Pan head thread forming screw		1	pcs
289	Wire clamp		1	pcs
7a	Bulk, Screw (100 pcs)		96536492	4 pcs
7	Coupling guard		96590455	2 pcs
10	Bulk, Shaft pin (10 pcs)	Diameter: 5 Length: 26	96536473	1 pcs
18	Air vent screw	Thread: 1/4"	98164273	1 pcs
19	Plug		98163028	2 pcs
72a	O-ring	Diameter: 154 Material type: EPDM Thickness: 4	98163015	1 pcs
105	Bulk, Shaft seal (10 pcs)	Material type: EPDM	96536521	1 pcs

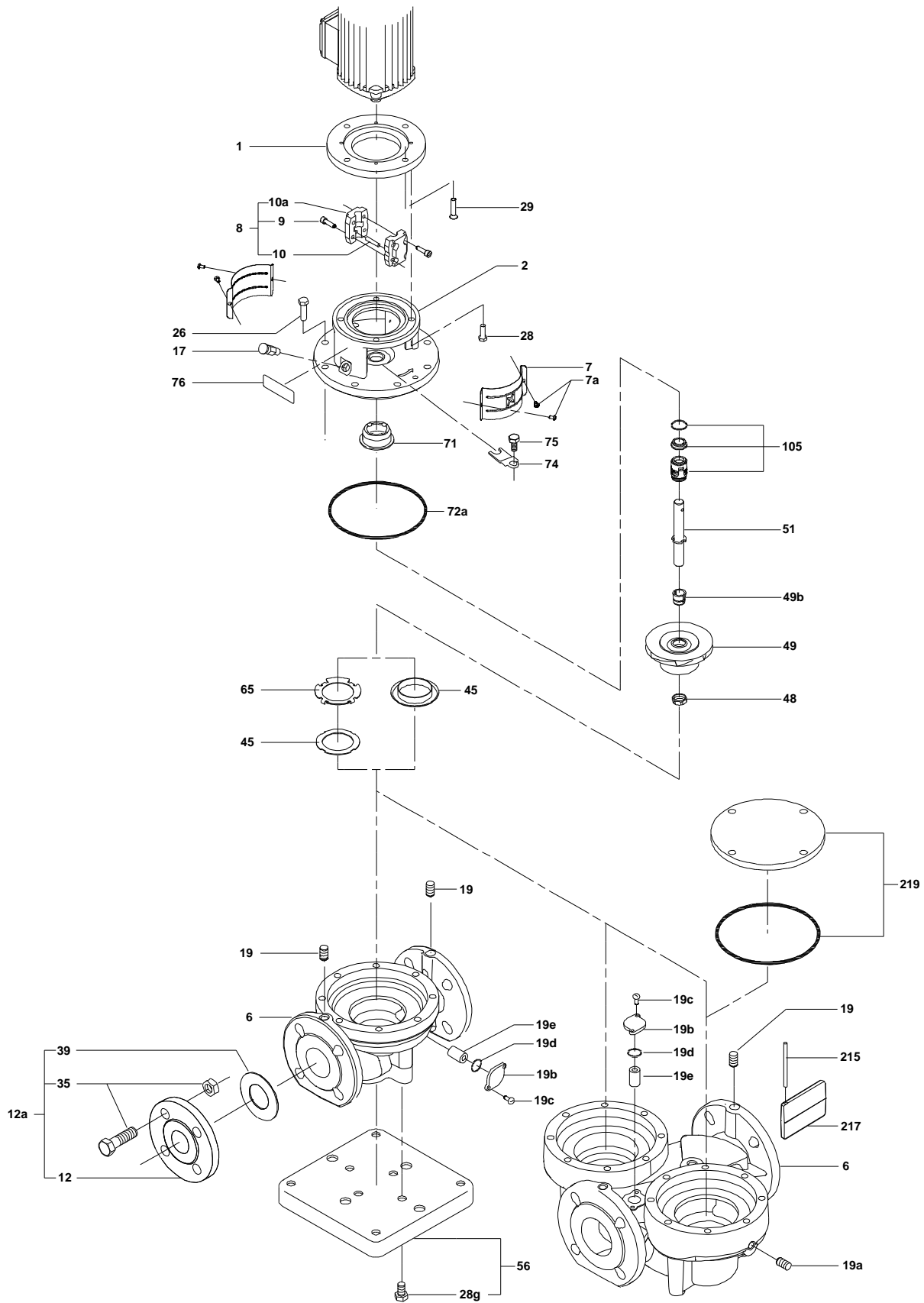


Sectional drawing (TM010371 3905)



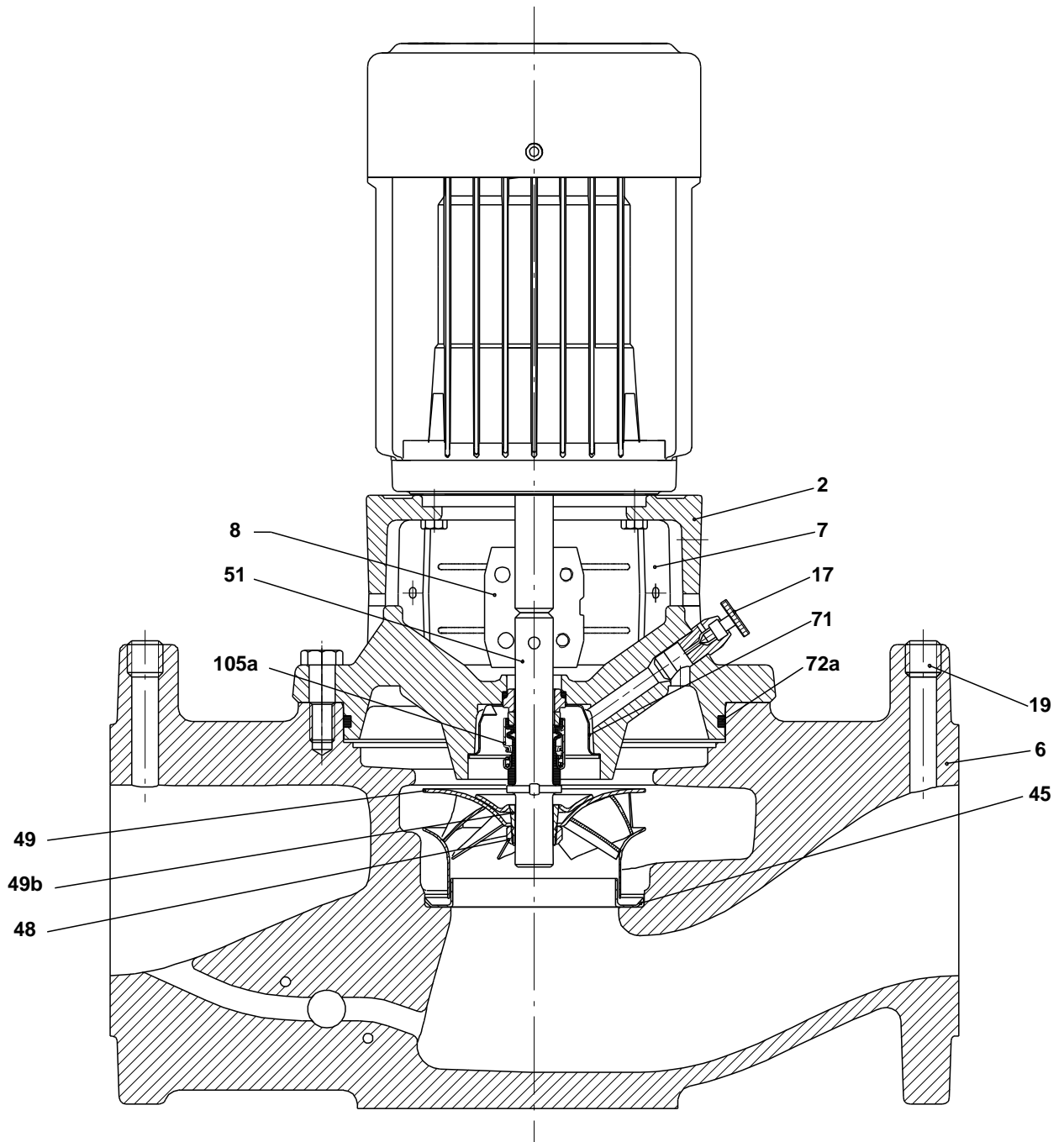
TM010371

Exploded view (tm009281 2201)



TM009281

Sectional drawing (tm010175 3999)



TM010175

Exploded view ( TM057026 for MGE model H/I )

