

Submittal Data

| | | |
|-----------------------|------------------|-------------|
| PROJECT: | UNIT TAG: | QUANTITY: |
| REPRESENTATIVE: _____ | TYPE OF SERVICE: | DATE: _____ |
| ENGINEER: | SUBMITTED BY: | DATE: |
| CONTRACTOR: | APPROVED BY: | DATE: |
| | ORDER NO.: | DATE: |

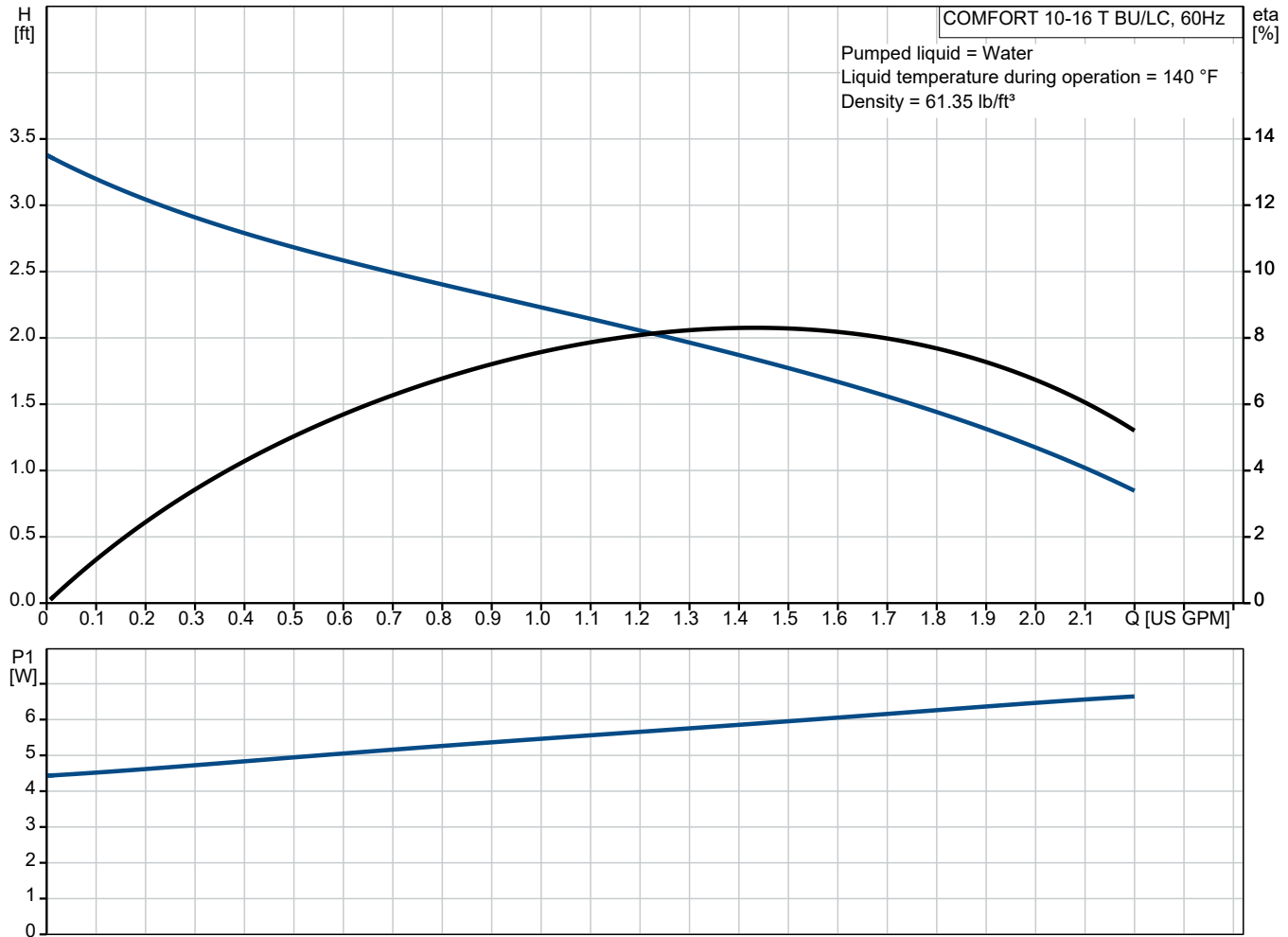


COMFORT 10-16 T BU/LC

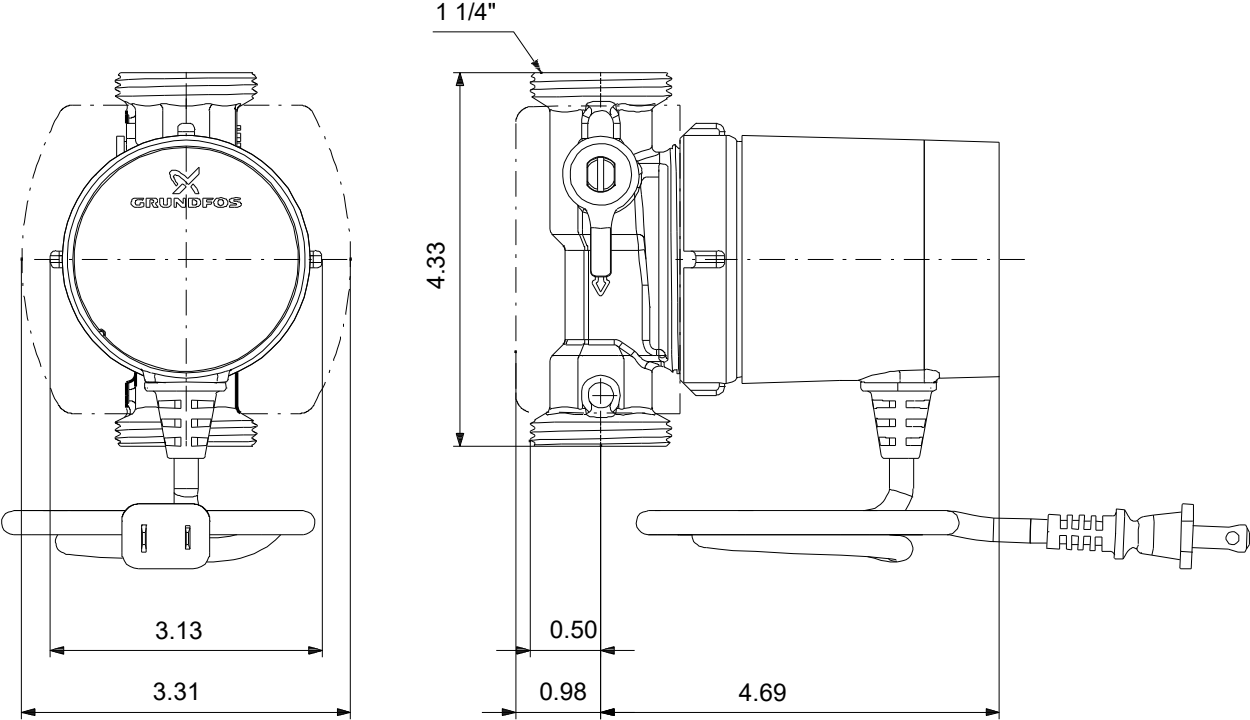
COMFORT is an efficient circulator designed for hot-water recirculation in domestic buildings with a dedicated return line. It features a built-in temperature sensor and control modes to limit heat losses.

Note! Product picture may differ from actual product

| Conditions of Service | | Pump Data | | Motor Data | |
|-----------------------|--------|---------------------------|------------------|---------------------|-------|
| Liquid: | Water | Liquid temperature range: | 34.9 .. 179.6 °F | Max. power input: | 6 W |
| Temperature: | 140 °F | Pipe connection: | 1 1/4" NPSM | Mains frequency: | 60 Hz |
| Specific Gravity: | 0.985 | Product number: | 92957794 | Enclosure class: | IP44 |
| | | | | Thermal protection: | ELEC |



Submittal Data



Materials:
Pump housing: Brass
Pump housing: ASTM C28500
Impeller: Composite