





SUBMITTAL DATA

LIV36HP230V1R32AH / LIV36HP230V1R32AO
36000 BTU/H Wall Mounted Heat Pump System

| | | |
|------------------|--------------|------|
| Job Name | Location | Date |
| Purchaser | Engineer | |
| Submitted to | For | |
| Unit Designation | Schedule No. | |

| | | | |
|---|---|--|---|
|  |  |  |  |
| YBE1FB1F | LIV36HP230V1R32AH | LIV36HP230V1R32AO | XE71 (Optional) |

GENERAL FEATURES

- AHRI Certificate: [214779348](#)
- New R32 Refrigerant
- High Efficiency DC Inverter Technology
- Compact and Quiet Design
- Wireless Remote with LCD Display
- Wired Controller Options
- Composite Drain Pan
- Wi-Fi Included
- Low Ambient Cooling down to 0°F (Range 0°F to 118°F)
- Low Ambient Heating down to -13°F (Range -13°F to 75°F)
- Coil (Indoor and Outdoor) Copper Tube / Aluminum Fin
- Blue Colored Fin - 500 Hrs Salt Spray Tested

SPECIFICATIONS, FEATURES & FUNCTION SUMMARY

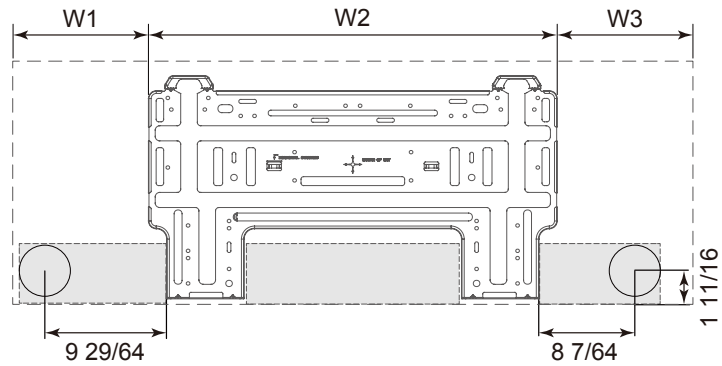
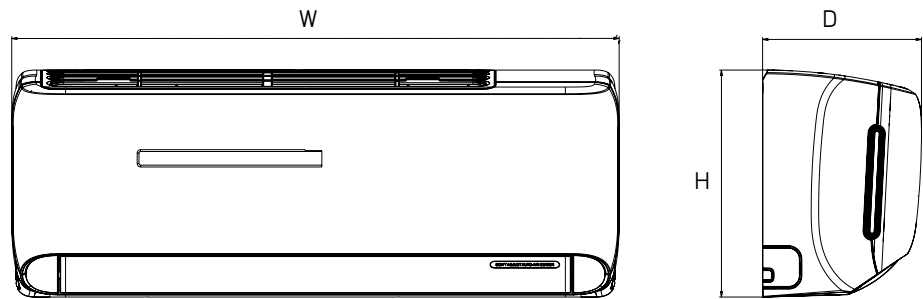
| SYSTEM TYPE | | | HEAT PUMP | | FEATURES & FUNCTIONS SUMMARY | |
|---|----------------|--|-------------------------------|----------------------------|------------------------------------|------------------------------|
| Outdoor Model | | | LIV36HP230V1R32AO | | Inverter Type | G20 |
| Indoor Model | | | LIV36HP230V1R32AH | | Ultra Low Frequency Torque Control | Yes |
| SYSTEM PERFORMANCE | | | | | | |
| Cooling Capacity | Min - Max | Btu/h | 19,001 - 39,380 | | Power Factor Correction | Yes |
| | Capacity @95°F | Btu/h | 33,600 | | Basepan With Electric Heater | Yes |
| Heating Capacity | Min - Max | Btu/h | 16,540 - 38,419 | | Compressor With Electric Heater | Yes |
| | Capacity @47°F | Btu/h | 34,000 | | Outdoor Fin Coating (Color:Blue) | Acrylic-Resin/Anti-Corrosive |
| | Capacity @17°F | Btu/h | 27,400 | | Intelligent Defrosting | Yes |
| | Capacity @5°F | Btu/h | 24,600 | | Force Defrosting | Yes |
| SEER2 | | | 21.0 | | Intelligent Preheating | Yes |
| EER2 | | | 10.6 | | Low Voltage Startup | Yes |
| HSPF2 | | | 8.5 | | Memory/Power Failure Recovery | Yes |
| COP @5°F | | | 1.8 | | Self Diagnosis | Yes |
| Cooling Temperature Range | | °F | 0 - 118 | | Wired Controller Interface | Yes |
| Heating Temperature Range | | °F | -13 - 75 | | WiFi Included | Yes |
| Refrigerant Type | | | R32 | | Indoor Fan Type | Crossflow |
| INDOOR UNIT | | | LIV36HP230V1R32AH | | Multi Fan Speeds | 6 Speeds |
| Air flow (Min - Max) | | CFM | 441 - 794 | | Indoor Unit Display | Yes |
| Sound Pressure Level (Min - Max) | | dB(A) | 36 - 52 | | Auxiliary Electrical Heater | No |
| Dehumidification | | pt/hr | 7.40 | | Ventilation (Outdoor Air) | No |
| External Dimensions (W x H x D) | | in | 42-7/16 x 13-7/64 x 9-11/16 | | REMOTE CONTROLLER FUNCTIONS | |
| Package Dimension (W x H x D) | | in | 44-39/64 x 16-19/64 x 13-7/64 | | Auto Mode | Yes |
| Net Weight | | lbs | 34.2 | | Auto Fan | Yes |
| Gross Weight | | lbs | 40.8 | | Manual Horizontal Swing | Yes |
| OUTDOOR UNIT | | | LIV36HP230V1R32AO | | Auto Swing (Vertical Auto Swing) | Yes |
| Compressor Type | | GREE G20 / SINGLE CYLINDER / 1 - STAGE INVERTER | | Clock on Remote Controller | Yes | |
| Sound Pressure Level | | dB(A) | 62 | | Dry Mode | Yes |
| External Dimensions (W x H x D) | | in | 39-3/8 x 29-3/8 x 15-13/16 | | Dry Anti-Mildew (X-Fan) Mode | Yes |
| Package Dimension (W x H x D) | | in | 42-33/64 x 31-57/64 x 19-1/64 | | Energy Saving Mode | Yes |
| Net Weight | | lbs | 122.4 | | Dirty Filter Alert | No |
| Gross Weight | | lbs | 133.4 | | I Feel Function | Yes |
| REFRIGERANT PIPING | | | | | | |
| Refrigerant Charge - R32 | | oz | 56.4 | | Lock on Remote Controller | Yes |
| Additional Charge | | oz/ft | 0.4 | | Quiet Mode | Yes |
| Line Set Size (Liquid - Gas) - Flared Connections | | in | 1/4 - 5/8 | | Room Temperature Display | Yes |
| Pre-Charge Length | | ft | 25 | | Sleep Mode | Yes |
| Pipe Length (Min - Max) | | ft | 10 - 131 | | Timer Mode | Yes |
| Max. Pipe Elevation | | ft | 82 | | Turbo Mode | Yes |
| ELECTRICAL | | | | | | |
| Power Supply | | 208-230V / 1Ph / 60Hz (Powered by the Outdoor Unit) | | Display On/Off Control | Yes | |
| Voltage Range (Min - Max) | | VAC | 187 - 253 | | Freeze Guard Mode (46°F) | Yes |
| Rated Current - Cooling | | A | 20 | | Display On/Off Control | Yes |
| Rated Current - Heating | | A | 20 | | | |
| MCA | | A | 23 | | | |
| MOCP | | A | 35 | | | |
| Suggested Breaker Size | | A | 25 | | | |
| Main Power Wire Size | | AWG | Per Local Code | | | |
| Interconnecting Wire Size | | AWG | 14 / 4 | | | |

DIMENSIONS

INDOOR UNIT

Unit: inch

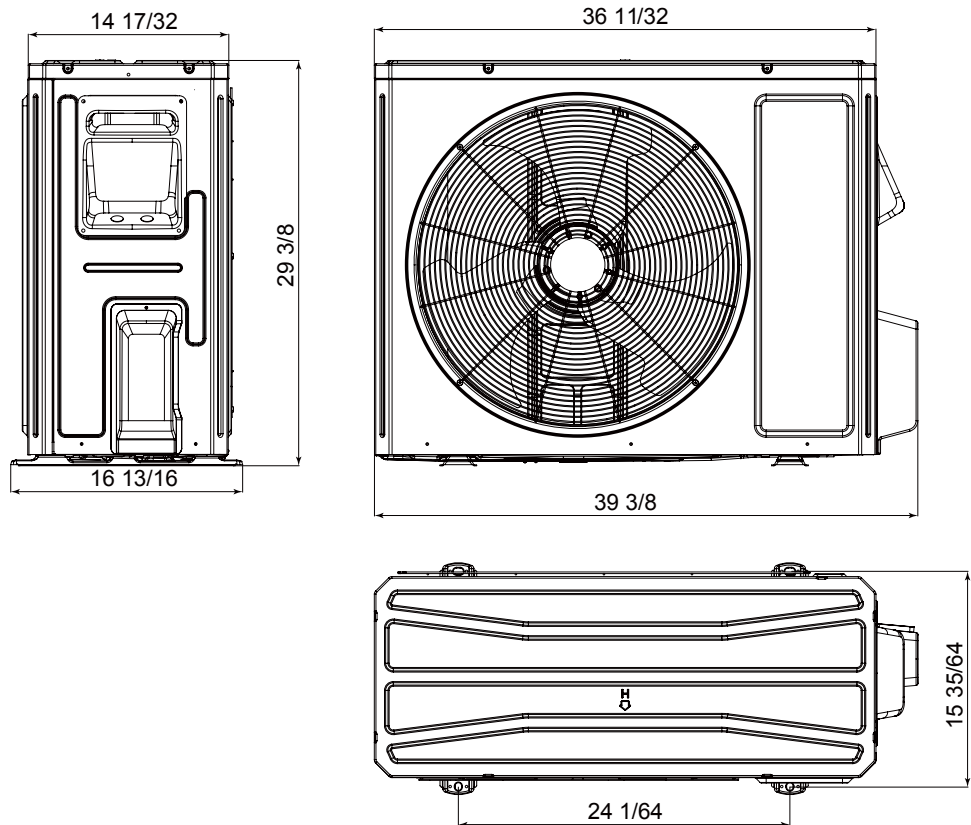
| LIV36HP230V1R32AH | |
|-------------------|---------|
| DIMENSIONS | |
| W | 42 7/16 |
| H | 13 7/64 |
| D | 9 11/16 |
| W1 | 6 15/64 |
| W2 | 22 7/64 |
| W3 | 10 5/32 |



OUTDOOR UNIT

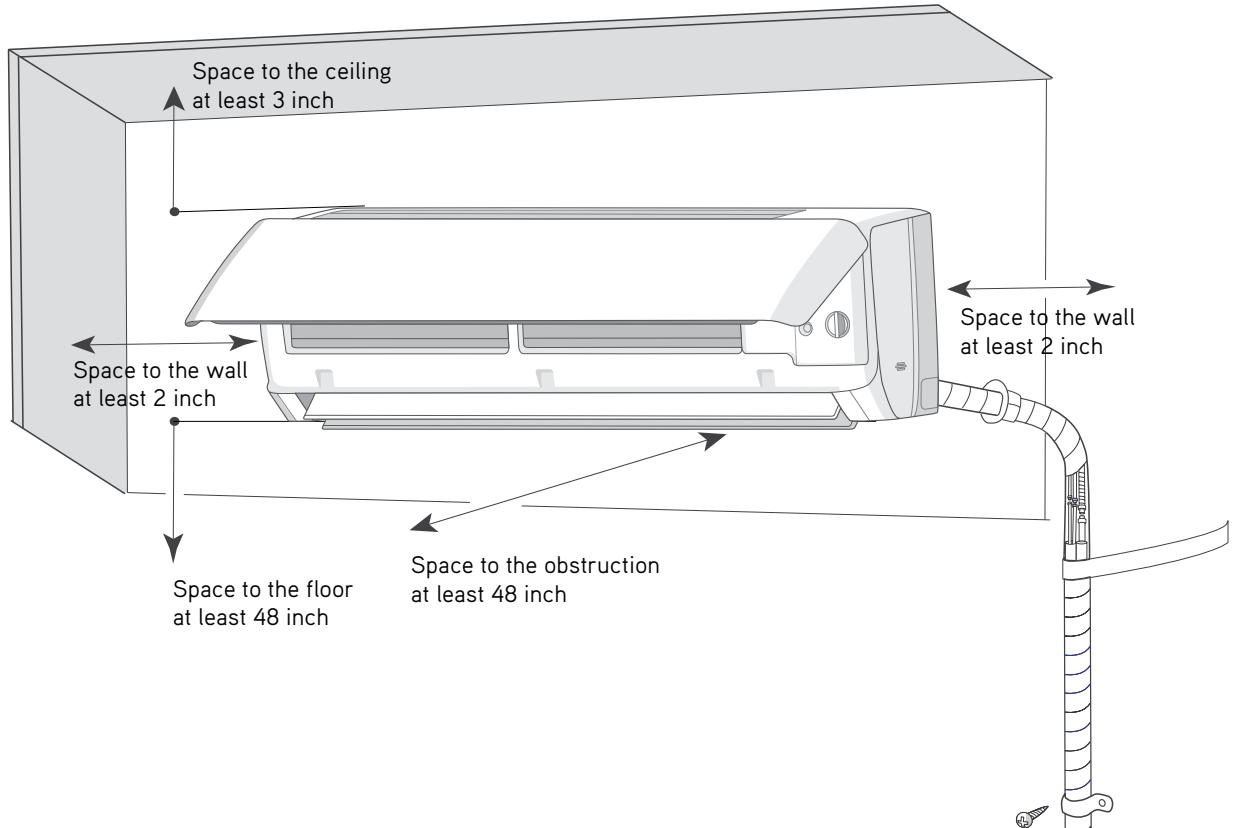
Unit: inch

| LIV36HP230V1R32AO |
|-------------------|
|-------------------|



CLEARANCES

INDOOR UNIT Minimum clearance



OUTDOOR UNIT Minimum clearance

NOTE:
If bottom of the unit is free of airflow obstructions similar to the mounting bracket figure, the clearance to the wall on the back can be reduced to 3 inches.



Specifications are subject to change without notice. Manufacturer reserves the right to discontinue or modify specifications or designs without notice or without incurring obligations. All Rights reserved.