





SUBMITTAL DATA

LIV18HP230V1R32AH / LIV18HP230V1R32AO
18000 BTU/H Wall Mounted Heat Pump System

Job Name	Location	Date
Purchaser	Engineer	
Submitted to	For	
Unit Designation	Schedule No.	

			
YBE1FB1F	LIV18HP230V1R32AH	LIV18HP230V1R32AO	XE71 (Optional)

GENERAL FEATURES

- AHRI Certificate: [214780395](#)
- New R32 Refrigerant
- High Efficiency DC Inverter Technology
- Compact and Quiet Design
- Wireless Remote with LCD Display
- Wired Controller Options
- Composite Drain Pan
- Wi-Fi Included
- Low Ambient Cooling down to 0°F (Range 0°F to 118°F)
- Low Ambient Heating down to -13°F (Range -13°F to 75°F)
- Coil (Indoor and Outdoor) Copper Tube / Aluminum Fin
- Blue Colored Fin - 500 Hrs Salt Spray Tested

SPECIFICATIONS, FEATURES & FUNCTION SUMMARY

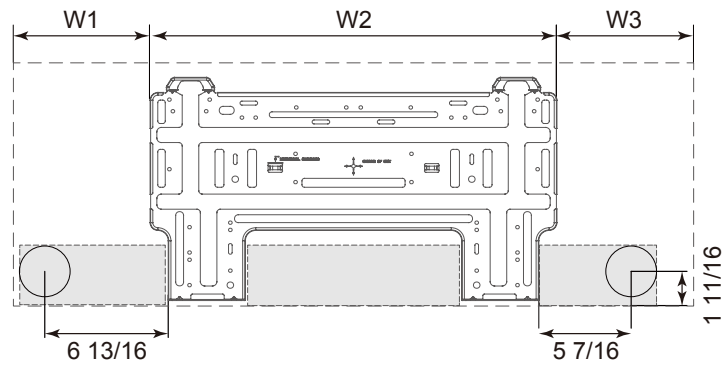
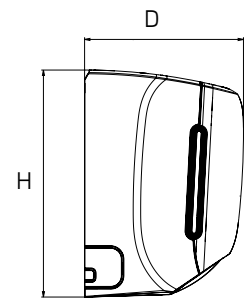
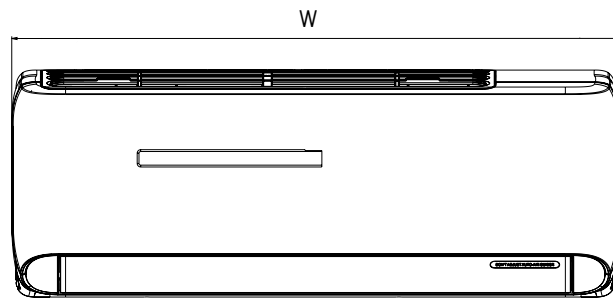
SYSTEM TYPE			HEAT PUMP		FEATURES & FUNCTIONS SUMMARY	
Outdoor Model			LIV18HP230V1R32AO		Inverter Type	
Indoor Model			LIV18HP230V1R32AH		G20	
SYSTEM PERFORMANCE						
Cooling Capacity	Min - Max	Btu/h	9,770 - 22,155			
	Capacity @95°F	Btu/h	18,000			
Heating Capacity	Min - Max	Btu/h	9,081 - 22,838			
	Capacity @47°F	Btu/h	19,100			
	Capacity @17°F	Btu/h	15,300			
	Capacity @5°F	Btu/h	12,100			
SEER2			20.0		Outdoor Fin Coating (Color:Blue)	
EER2			12.35		Acrylic-Resin/Anti-Corrosive	
HSPF2			8.5		Intelligent Defrosting	
COP @5°F			1.75		Force Defrosting	
Cooling Temperature Range		°F	0 - 118		Intelligent Preheating	
Heating Temperature Range		°F	-13 - 75		Low Voltage Startup	
Refrigerant Type			R32		Memory/Power Failure Recovery	
INDOOR UNIT			LIV18HP230V1R32AH		Self Diagnosis	
Air flow (Min - Max)		CFM	282 - 618		Wired Controller Interface	
Sound Pressure Level (Min - Max)		dB(A)	34 - 53		WiFi Included	
Dehumidification		pt/hr	3.80		Indoor Fan Type	
External Dimensions (W x H x D)		in	37-1/8 x 13-7/64 x 9-11/16		Crossflow	
Package Dimension (W x H x D)		in	39-13/32 x 15-15/16 x 12-43/64		Multi Fan Speeds	
Net Weight		lbs	28.7		6 Speeds	
Gross Weight		lbs	34.2		Indoor Unit Display	
OUTDOOR UNIT			LIV18HP230V1R32AO		Auxiliary Electrical Heater	
Compressor Type		GREE G20 / SINGLE CYLINDER / 1 - STAGE INVERTER		No		
Sound Pressure Level		dB(A)	57		Ventilation (Outdoor Air)	
External Dimensions (W x H x D)		in	31-37/64 x 21-27/32 x 13-25/32		No	
Package Dimension (W x H x D)		in	34-21/64 x 24-13/32 x 15-43/64		REMOTE CONTROLLER FUNCTIONS	
Net Weight		lbs	70.6		Auto Mode	
Gross Weight		lbs	76.1		Auto Fan	
REFRIGERANT PIPING					Auto Swing (Horizontal Auto Swing)	
Refrigerant Charge - R32		oz	32.5		Auto Swing (Vertical Auto Swing)	
Additional Charge		oz/ft	0.2		Clock on Remote Controller	
Line Set Size (Liquid - Gas) - Flared Connections		in	1/4 - 1/2		Dry Mode	
Pre-Charge Length		ft	25		Dry Anti-Mildew (X-Fan) Mode	
Pipe Length (Min - Max)		ft	10 - 82		Energy Saving Mode	
Max. Pipe Elevation		ft	33		Dirty Filter Alert	
ELECTRICAL					I Feel Function	
Power Supply		208-230V / 1Ph / 60Hz (Powered by the Outdoor Unit)		Yes		
Voltage Range (Min - Max)		VAC	187 - 253		Lock on Remote Controller	
Rated Current - Cooling		A	9.5		Quiet Mode	
Rated Current - Heating		A	9.5		Room Temperature Display	
MCA		A	13		Sleep Mode	
MOCP		A	15		Timer Mode	
Suggested Breaker Size		A	15		Turbo Mode	
Main Power Wire Size		AWG	Per Local Code		Display On/Off Control	
Interconnecting Wire Size		AWG	14 / 4		Freeze Guard Mode (46°F)	
					Display On/Off Control	

DIMENSIONS

INDOOR UNIT

Unit: inch

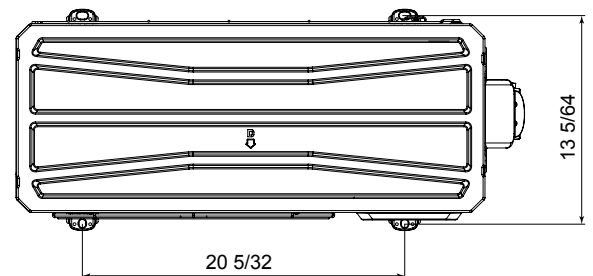
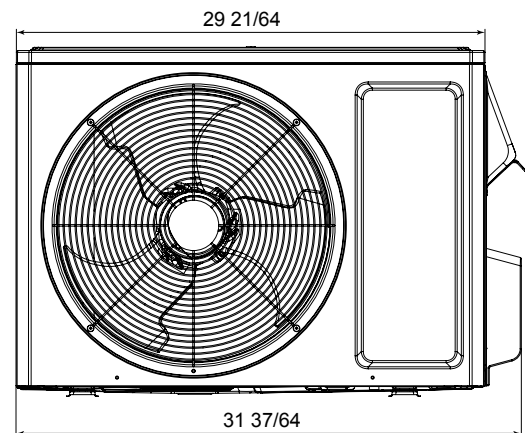
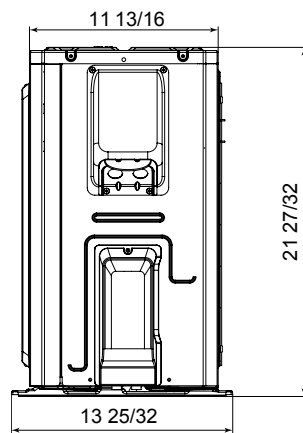
LIV18HP230V1R32AH	
DIMENSIONS	
W	37 1/8
H	13 7/64
D	9 11/16
W1	7 35/64
W2	22 7/64
W3	7 31/64



OUTDOOR UNIT

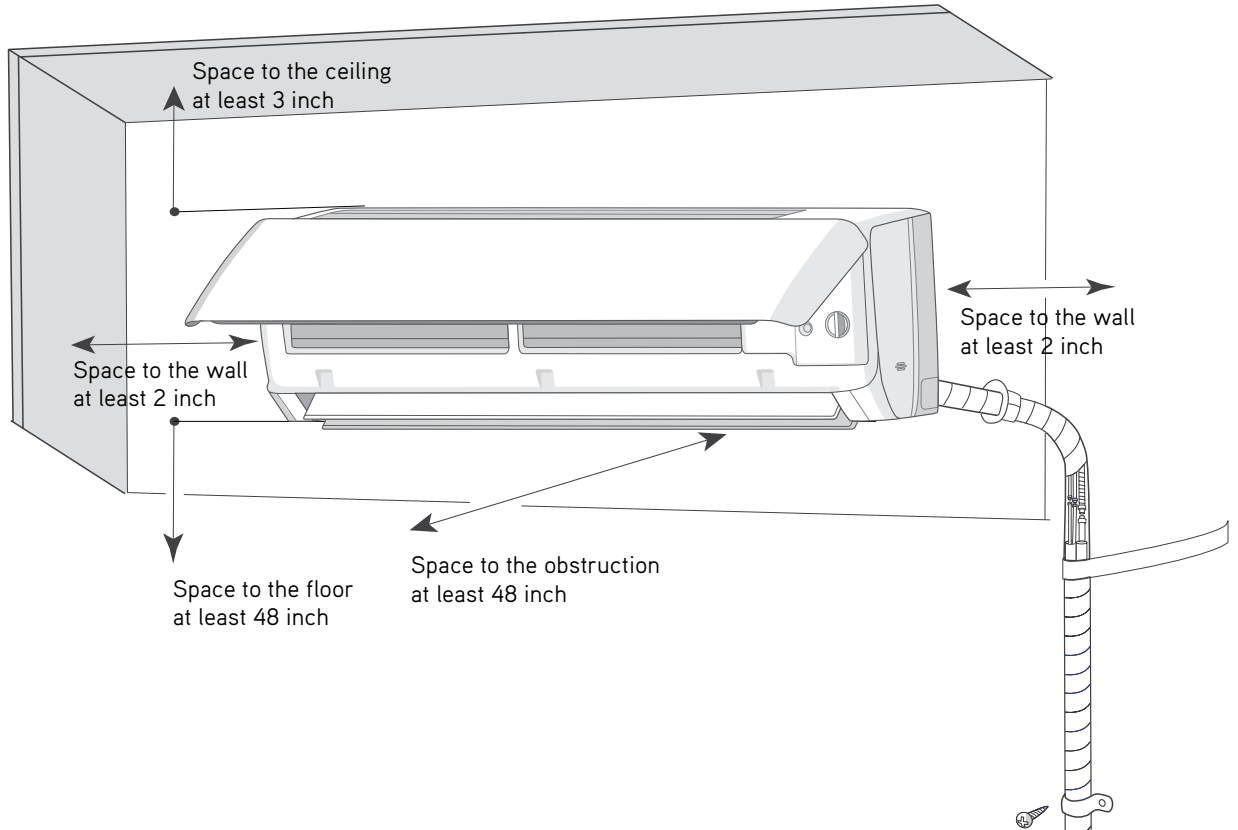
Unit: inch

LIV18HP230V1R32AO

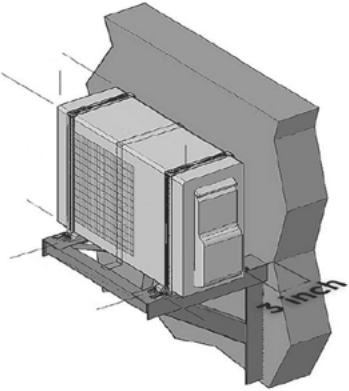


CLEARANCES

INDOOR UNIT Minimum clearance



OUTDOOR UNIT Minimum clearance



NOTE:
If bottom of the unit is free of airflow obstructions similar to the mounting bracket figure, the clearance to the wall on the back can be reduced to 3 inches.



Specifications are subject to change without notice. Manufacturer reserves the right to discontinue or modify specifications or designs without notice or without incurring obligations. All Rights reserved.