





SUBMITTAL DATA

LIV09HP115V1R32AH / LIV09HP115V1R32AO
9000 BTU/H Wall Mounted Heat Pump System

Job Name	Location	Date
Purchaser	Engineer	
Submitted to	For	
Unit Designation	Schedule No.	

			
YBE1FB1F	LIV09HP115V1R32AH	LIV09HP115V1R32AO	XE71 (Optional)

GENERAL FEATURES

- AHRI Certificate: [214779525](#)
- New R32 Refrigerant
- High Efficiency DC Inverter Technology
- Compact and Quiet Design
- Wireless Remote with LCD Display
- Wired Controller Options
- Composite Drain Pan
- Wi-Fi Included
- Low Ambient Cooling down to 0°F (Range 0°F to 118°F)
- Low Ambient Heating down to -13°F (Range -13°F to 75°F)
- Coil (Indoor and Outdoor) Copper Tube / Aluminum Fin
- Blue Colored Fin - 500 Hrs Salt Spray Tested

SPECIFICATIONS, FEATURES & FUNCTION SUMMARY

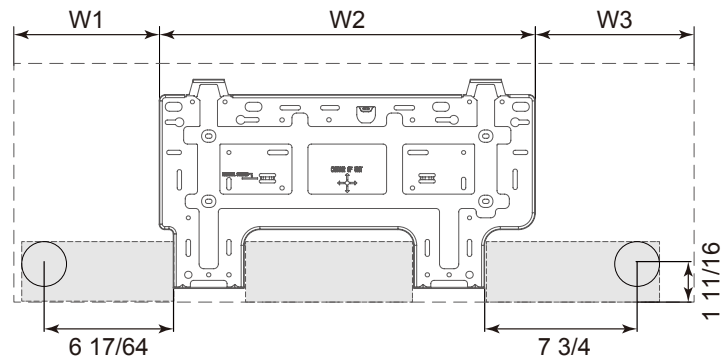
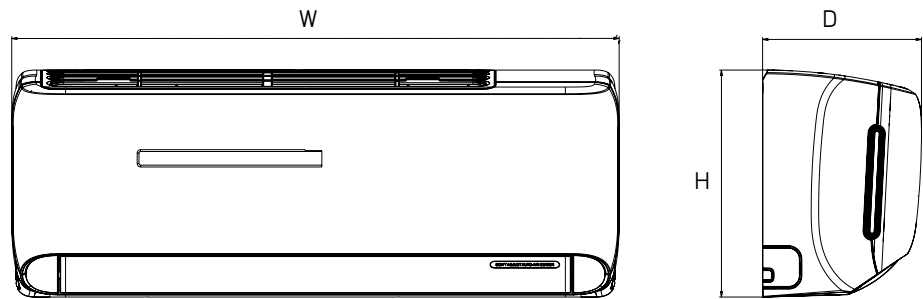
SYSTEM TYPE			HEAT PUMP		FEATURES & FUNCTIONS SUMMARY	
Outdoor Model			LIV09HP115V1R32AO		Inverter Type	G20
Indoor Model			LIV09HP115V1R32AH		Ultra Low Frequency Torque Control	Yes
SYSTEM PERFORMANCE						
Cooling Capacity	Min - Max	Btu/h	8,428 -14,522			
	Capacity @95°F	Btu/h	9,100			
Heating Capacity	Min - Max	Btu/h	6,916 - 13,300			
	Capacity @47°F	Btu/h	10,000			
	Capacity @17°F	Btu/h	8,100			
	Capacity @5°F	Btu/h	7,600			
SEER2			20.5			
EER2			11.9			
HSPF2			8.8			
COP @5°F			1.86			
Cooling Temperature Range		°F	0 - 118			
Heating Temperature Range		°F	-13 - 75			
Refrigerant Type			R32			
INDOOR UNIT			LIV09HP115V1R32AH			
Air flow (Min - Max)		CFM	159 - 353			
Sound Pressure Level (Min - Max)		dB(A)	24 - 43			
Dehumidification		pt/hr	1.69			
External Dimensions (W x H x D)		in	32-7/8 x 10-53/64 x 7-7/8			
Package Dimension (W x H x D)		in	35-15/64 x 13-37/64 x 10-43/64			
Net Weight		lbs	19.8			
Gross Weight		lbs	24.3			
OUTDOOR UNIT			LIV09HP115V1R32AO			
Compressor Type			GREE G20 / SINGLE CYLINDER / 1 - STAGE INVERTER			
Sound Pressure Level		dB(A)	51			
External Dimensions (W x H x D)		in	28-13/16 x 21-7/8 x 12-63/64			
Package Dimension (W x H x D)		in	31-17/64 x 24-7/32 x 14-51/64			
Net Weight		lbs	55.1			
Gross Weight		lbs	60.6			
REFRIGERANT PIPING						
Refrigerant Charge - R32		oz	18.7			
Additional Charge		oz/ft	0.2			
Line Set Size (Liquid - Gas) - Flared Connections		in	1/4 - 3/8			
Pre-Charge Length		ft	25			
Pipe Length (Min - Max)		ft	10 - 66			
Max. Pipe Elevation		ft	40			
ELECTRICAL						
Power Supply			115V / 1Ph / 60Hz (Powered by the Outdoor Unit)			
Voltage Range (Min - Max)		VAC	103 - 126			
Rated Current - Cooling		A	12.5			
Rated Current - Heating		A	15.4			
MCA		A	19			
MOCP		A	20			
Suggested Breaker Size		A	20			
Main Power Wire Size		AWG	Per Local Code			
Interconnecting Wire Size		AWG	14 / 4			
					Memory/Power Failure Recovery	Yes
					Self Diagnosis	Yes
					Wired Controller Interface	Yes
					WiFi Included	Yes
					Indoor Fan Type	Crossflow
					Multi Fan Speeds	6 Speeds
					Indoor Unit Display	Yes
					Auxiliary Electrical Heater	No
					Ventilation (Outdoor Air)	No
REMOTE CONTROLLER FUNCTIONS						
					Auto Mode	Yes
					Auto Fan	Yes
					Auto Swing (Horizontal Auto Swing)	Yes
					Auto Swing (Vertical Auto Swing)	Yes
					Clock on Remote Controller	Yes
					Dry Mode	Yes
					Dry Anti-Mildew (X-Fan) Mode	Yes
					Energy Saving Mode	Yes
					Dirty Filter Alert	No
					I Feel Function	Yes
					Lock on Remote Controller	Yes
					Quiet Mode	Yes
					Room Temperature Display	Yes
					Sleep Mode	Yes
					Timer Mode	Yes
					Turbo Mode	Yes
					Display On/Off Control	Yes
					Freeze Guard Mode (46°F)	Yes
					Display On/Off Control	Yes

DIMENSIONS

INDOOR UNIT

Unit: inch

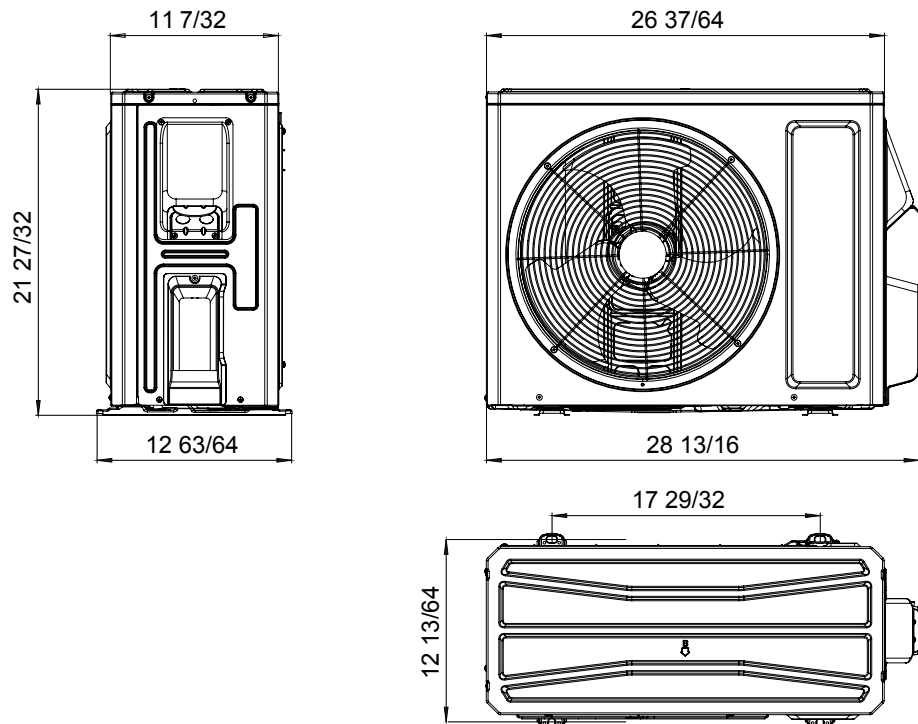
LIV09HP115V1R32AH	
DIMENSIONS	
W	32 7/8
H	10 53/64
D	7 7/8
W1	7 1/64
W2	18 3/16
W3	7 43/64



OUTDOOR UNIT

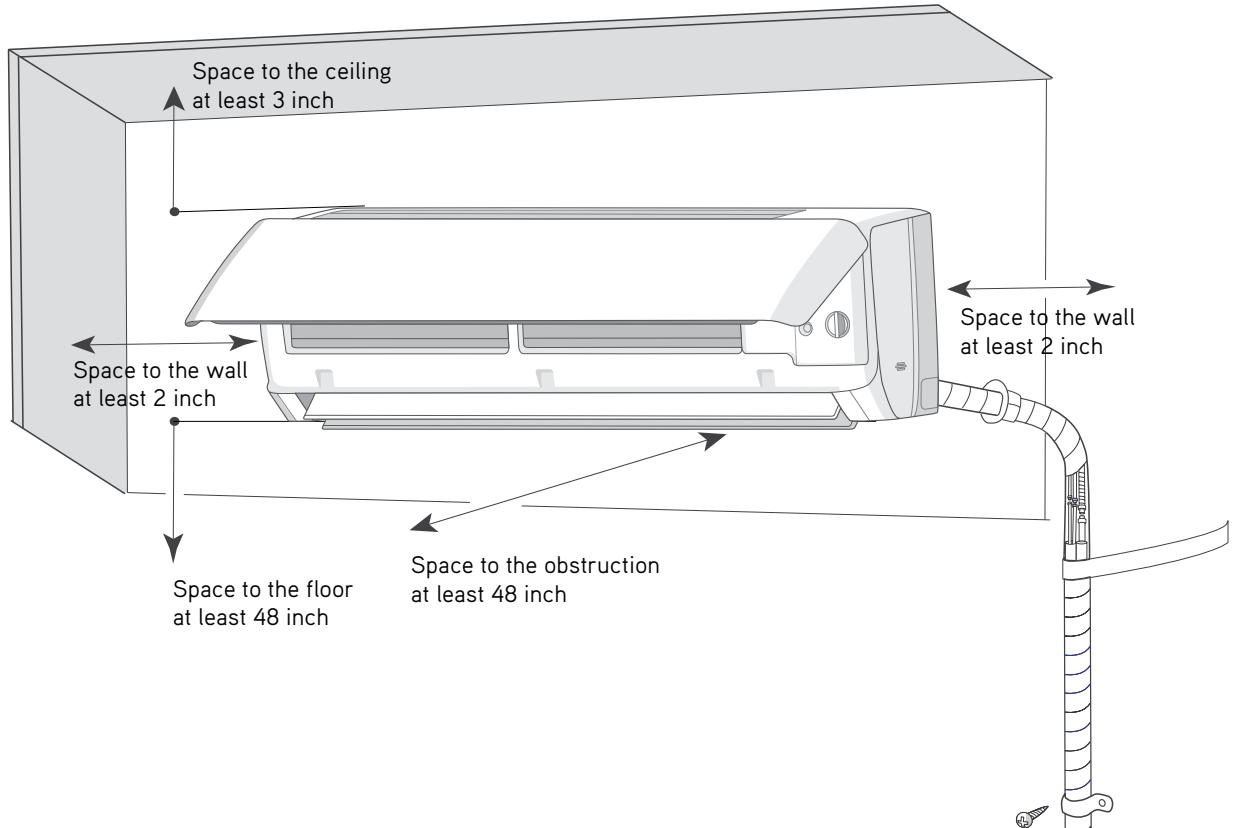
Unit: inch

LIV09HP115V1R32AO

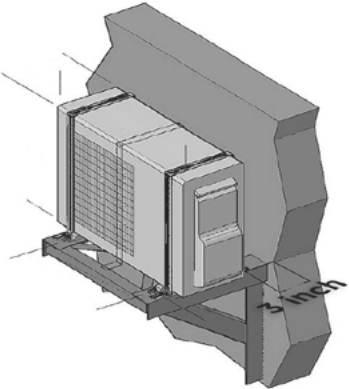


CLEARANCES

INDOOR UNIT Minimum clearance



OUTDOOR UNIT Minimum clearance



NOTE:
If bottom of the unit is free of airflow obstructions similar to the mounting bracket figure, the clearance to the wall on the back can be reduced to 3 inches.



Specifications are subject to change without notice. Manufacturer reserves the right to discontinue or modify specifications or designs without notice or without incurring obligations. All Rights reserved.