




SUBMITTAL DATA

CAS18HP230V1R32AH
18000 BTU/H Cassette Heat Pump System

Job Name	Location	Date
Purchaser	Engineer	
Submitted to	For	
Unit Designation	Schedule No.	
 YBE1FB5F	 CAS18HP230V1R32AH	 XE72-44/E

GENERAL FEATURES

- AHRI Certificate: [215417457 \(Vireo R32\)](#), [215417450 \(Envo R32\)](#), [215416024 \(Sapphire R32\)](#)
- High Efficiency DC Inverter Technology
- Compact and Quiet Design
- 4 - Way Discharge Air
- Swing Louver Control
- Internal Condensate Drain Pump
- Wireless Remote with LCD Display Included
- XE72-44/E Wired Controller Included
- Low Ambient Cooling and Heating
- (Indoor and Outdoor) Copper Tube / Aluminum Fin
- Blue Colored Fin - 500 Hrs Salt Spray Tested
- New R32 Refrigerant with Refrigerant Sensor

SPECIFICATIONS, FEATURES & FUNCTION SUMMARY

SYSTEM TYPE			HEAT PUMP		
Indoor Model			CAS18HP230V1R32AH		
Outdoor Model			VIR18HP230V1R32AO	ENV18HP230V1R32AO	SAP18HP230V1R32AO
SYSTEM PERFORMANCE					
Cooling Capacity	Min - Max	Btu/h	7,987 - 21,599	7,987 - 21,599	8,908 - 21,903
	Capacity @95°F	Btu/h	18,000	18,000	18,000
Heating Capacity	Min - Max	Btu/h	8,364 - 20,472	8,364 - 20,472	9,099 - 21,297
	Capacity @47°F	Btu/h	18,000	18,000	18,000
	Capacity @17°F	Btu/h	14,700	14,700	15,500
	Capacity @5°F	Btu/h	12,600	12,600	13,500
SEER2			21.0	21.0	23.0
EER2			10.9	10.9	10.75
HSPF2			9.0	9.0	9.2
COP @5°F			1.80	1.80	1.80
Cooling Temperature Range		°F	-20 - 122		
Heating Temperature Range		°F	-22 - 86		
Refrigerant Type			R32		
INDOOR UNIT			CAS18HP230V1R32AH		
Air flow (Min-Max)		CFM	206 - 383		
Sound Pressure Level (Min - Max)		dB(A)	30 - 44		
Dehumidification		pt/hr	3.8		
External Dimensions (L x D x H)		in	22-7/16 x 22-7/16 x 10-7/16		
Package Dimension (L x W x H)		in	27-31/64 x 25-45/64 x 11-39/64		
Net Weight		lbs	37.5		
Gross Weight		lbs	48.5		
CASSETTE GRILLE (REQUIRED)			GREETF05		
Grille Dimension (L x D x H)		in	24-13/32 x 24-13/32 x 1-7/8		
Package Dimension (L x W x H)		in	27-19/32 x 27-19/32 x 4-59/64		
Weight (Net / Gross)		lbs	6.6 / 9.9		
OUTDOOR UNIT			VIR18HP230V1R32AO	ENV18HP230V1R32AO	SAP18HP230V1R32AO
Sound Pressure Level		dB(A)	59	59	59
External Dimensions (L x D x H)		in	37-23/32 x 15-53/64 x 25-63/64	37-23/32 x 15-53/64 x 25-63/64	37-23/32 x 15-53/64 x 25-63/64
Package Dimension (L x W x H)		in	40-5/8 x 17-61/64 x 29-1/64	40-5/8 x 17-61/64 x 29-1/64	40-5/8 x 17-61/64 x 29-1/64
Net Weight		lbs	94.8	94.8	94.8
Gross Weight		lbs	104.7	104.7	104.7
REFRIGERANT PIPING					
Refrigerant Charge - R32		oz	40.6	40.6	47.6
Additional Charge		oz/ft	0.2	0.2	0.4
Line Set Sized by Indoor Unit (Liquid - Gas)		in	1/4 - 3/8		
Line Set Size (Liquid - Gas) - Flared Connections		in	1/4 - 1/2	1/4 - 1/2	1/4 - 5/8
Pre-Charge Length		ft	25		
Pipe Length (Min - Max)		ft	10 - 131	10 - 131	10 - 131
Max. Pipe Elevation		ft	82	82	82
ELECTRICAL					
Power Supply			208-230V / 1Ph / 60Hz (Powered by the Outdoor Unit)		
Voltage Range (Min - Max)		VAC	187 - 253		
Rated Current - Cooling		A	11.5	5.9	12.5
Rated Current - Heating		A	11.5	7.8	16
MCA		A	16	11	20
MOCP		A	20	15	25
Suggested Breaker Size		A	20	15	20
Main Power Wire Size		AWG	Per Local Code		
Interconnecting Wire Size		AWG	14 / 4		

FEATURES & FUNCTIONS SUMMARY	
Inverter Type	G20
Ultra Low Frequency Torque Control	Yes
Power Factor Correction	Yes
Compressor Type - Inverter	High Efficiency Rotary
Basepan With Electric Heater	Yes
Indoor & Outdoor Fin Coating (Blue Fin)	Yes
Intelligent Defrosting	Yes
Intelligent Preheating	Yes
Low Voltage Startup	Yes
Memory/Power Failure Recovery	Yes
Self Diagnosis	Yes
Wired Controller Interface	Yes
WiFi Included	No
Indoor Fan Type	Centrifugal
Multi Fan Speeds	7 Speeds
Indoor Unit Display	Yes
Auxiliary Electrical Heater	No
Ventilation (Outdoor Air)	No
REMOTE CONTROLLER FUNCTIONS	
Auto Mode	Yes
Auto Fan	Yes
Auto Swing (Horizontal Auto Swing)	No
Auto Swing - 180° (Vertical Auto Swing)	Yes
Clock	Yes
Dry Mode	Yes
Dry Anti-Mildew (X-Fan) Mode	Yes
Energy Saving Mode	Yes
Dirty Filter Alert	No
Fan Speed Control (7 Speeds)	Yes
I Feel Function	Yes
Privacy Lock	Yes
Quiet Mode	Yes
Room Temperature Display	No
Sleep Mode	Yes
3 Sleep Mode Options	Yes
Timer Mode	Yes
Turbo Mode	Yes
Display On/Off Control	Yes
Freeze Guard Mode	Yes
Power Failure Mode	Yes

NOTE:

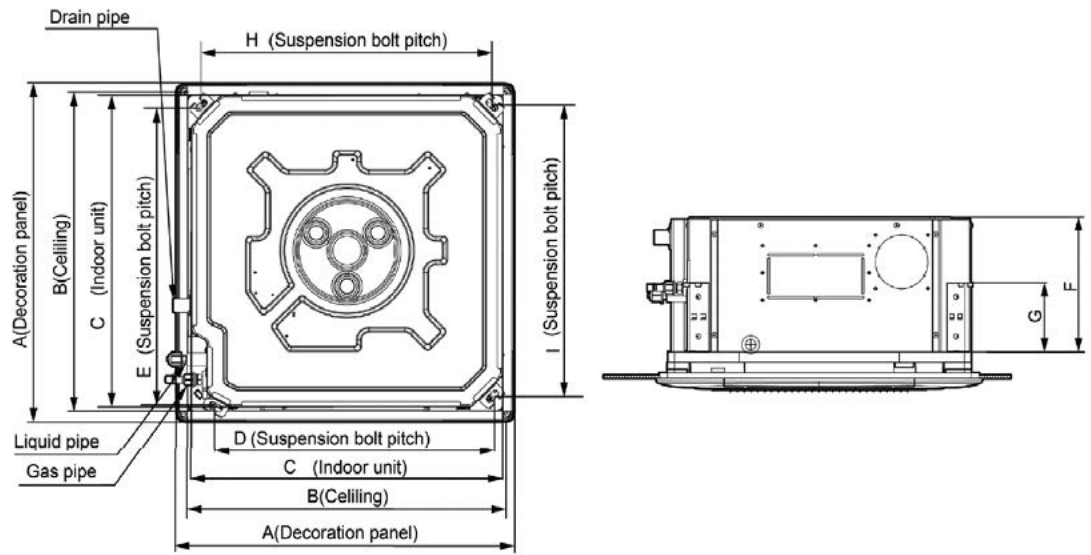
Please check the Multi-zone submittals for Non-Ducted or Mixed Performance table.

DIMENSIONS

INDOOR UNIT

Unit: inch

CAS18HP230V1R32AH	
DIMENSIONS	
A	24 13/32
B	22 53/64
C	22 7/16
D	19 7/8
E	21 21/32
F	10 7/16
G	5 33/64
H	20 55/64
I	20 55/64



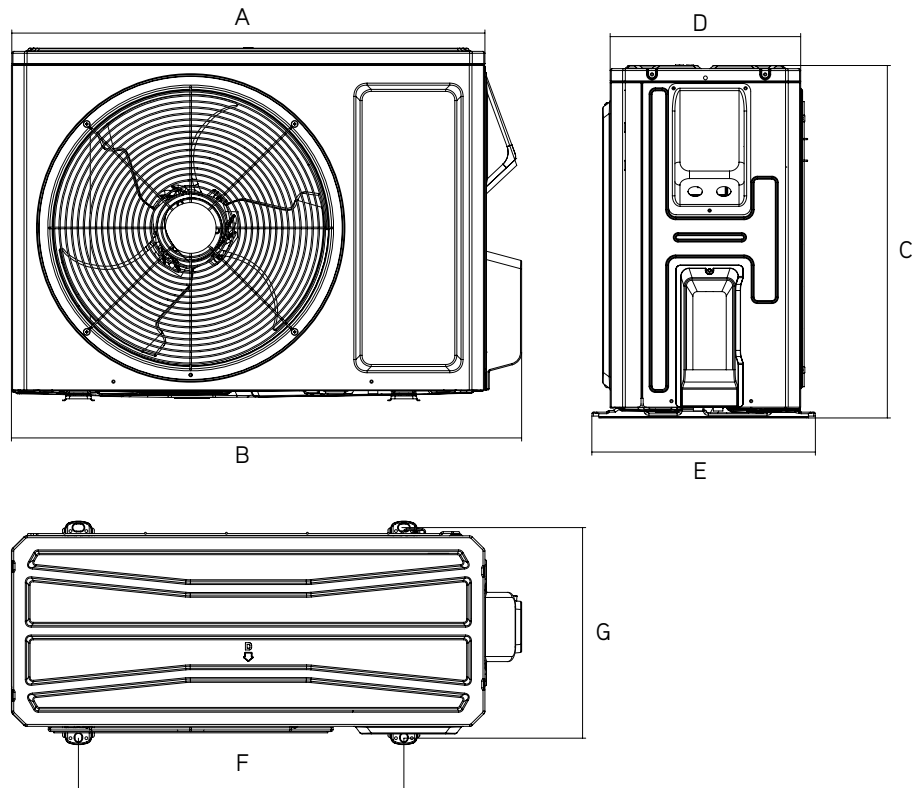
OUTDOOR UNIT

Unit: inch

VIR18HP230V1R32AO	
DIMENSIONS	
A	35
B	37 23/32
C	25 63/64
D	13 25/64
E	15 53/64
F	22 7/16
G	14 39/64

ENV18HP230V1R32AO	
DIMENSIONS	
A	35
B	37 23/32
C	25 63/64
D	13 25/64
E	15 53/64
F	22 7/16
G	14 39/64

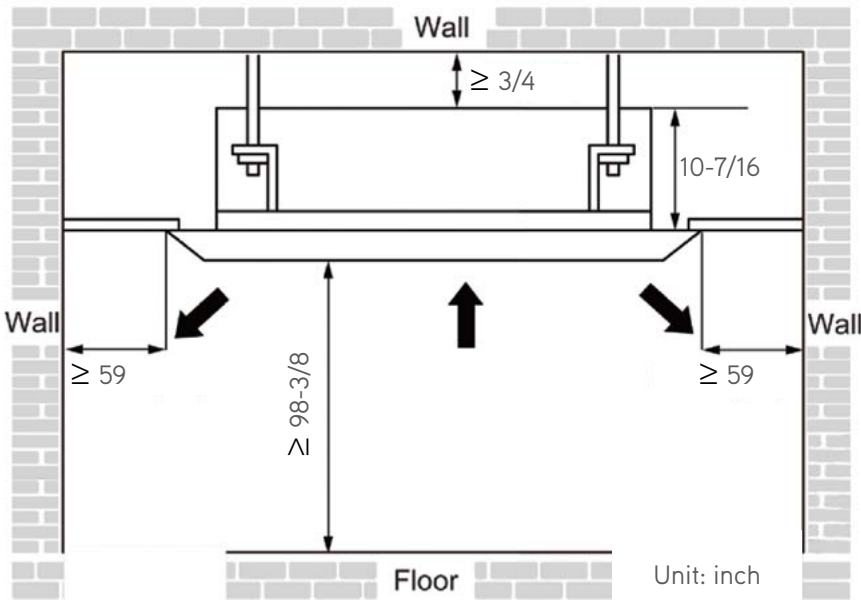
SAP18HP230V1R32AO	
DIMENSIONS	
A	35
B	37 23/32
C	25 63/64
D	13 25/64
E	15 53/64
F	22 7/16
G	14 39/64



CLEARANCES

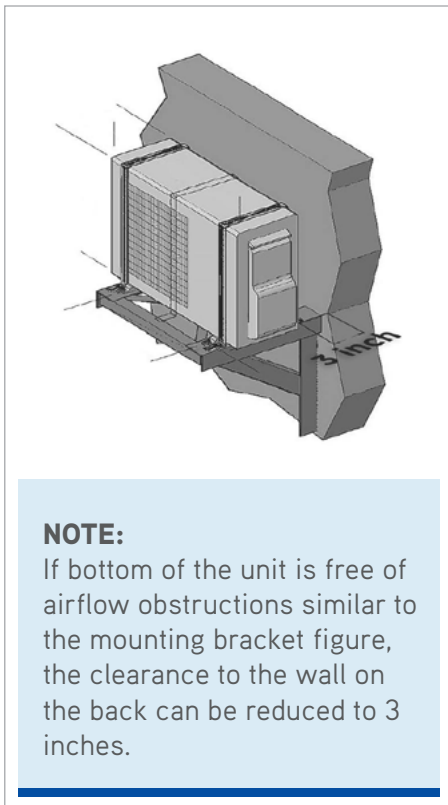
INDOOR UNIT

Minimum clearance



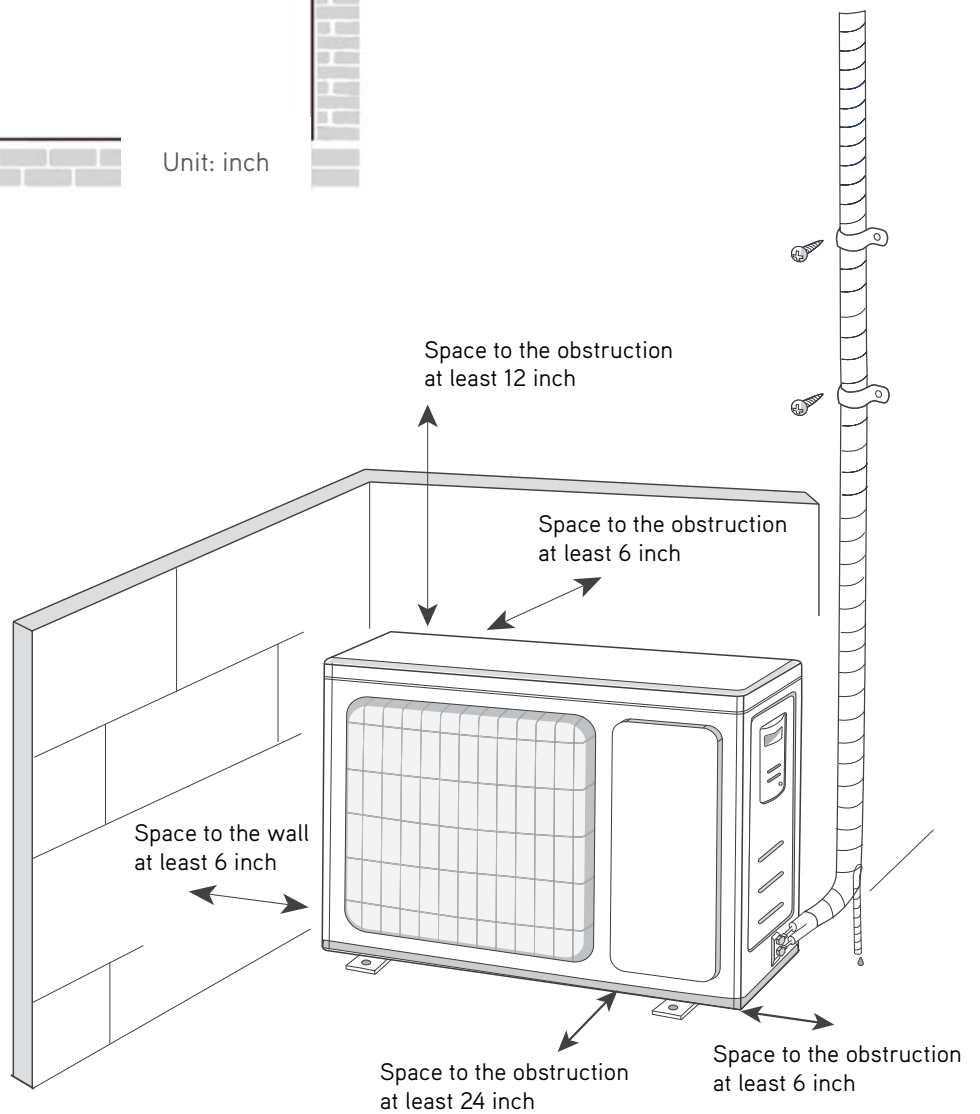
OUTDOOR UNIT

Minimum clearance



NOTE:

If bottom of the unit is free of airflow obstructions similar to the mounting bracket figure, the clearance to the wall on the back can be reduced to 3 inches.



Specifications are subject to change without notice. Manufacturer reserves the right to discontinue or modify specifications or designs without notice or without incurring obligations. All Rights reserved.