





## SUBMITTAL DATA

VIR09HP230V1R32AH / VIR09HP230V1R32AO  
9000 BTU/H Wall Mounted Heat Pump System

Job Name	Location	Date
Purchaser	Engineer	
Submitted to	For	
Unit Designation	Schedule No.	

			
YBE1FBF	VIR09HP230V1R32AH	VIR09HP230V1R32AO	XE71 (Optional)

### GENERAL FEATURES

- AHRI Certificate: [214779340](#)
- High Efficiency DC Inverter Technology
- Compact and Quiet Design
- Auto-Clean Function on Indoor Unit
- Wireless Remote with LCD Display
- Wired Controller Options
- New R32 Refrigerant
- Composite Drain Pan
- Wi-Fi Included (Factory Installed)
- Low Ambient Cooling down to -20°F (Range -20°F to 122°F)
- Low Ambient Heating down to -22°F (Range -22°F to 86°F)
- Coil (Indoor and Outdoor) Copper Tube / Aluminum Fin
- Blue Colored Fin - 500 Hrs Salt Spray Tested

## SPECIFICATIONS, FEATURES & FUNCTION SUMMARY

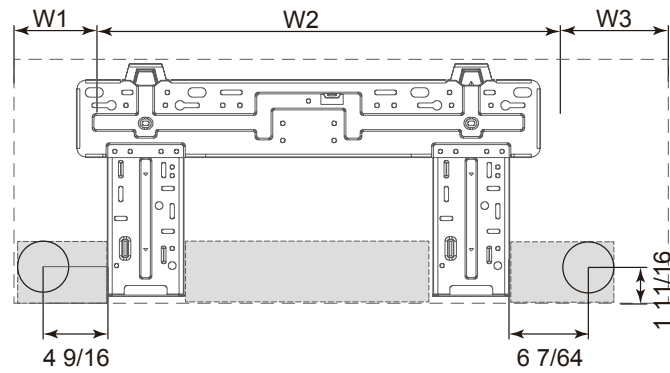
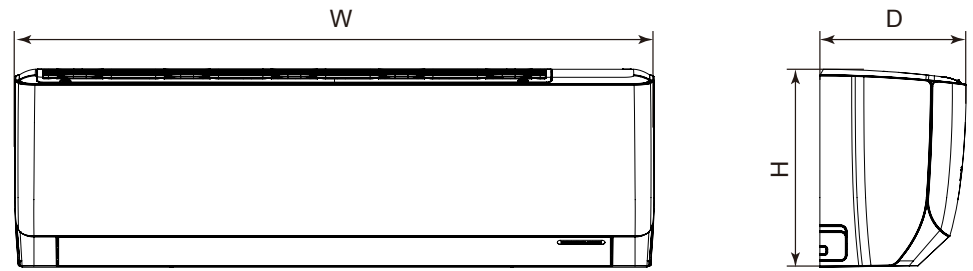
SYSTEM TYPE			HEAT PUMP		FEATURES & FUNCTIONS SUMMARY	
Outdoor Model			VIR09HP230V1R32AO		Inverter Type	
Indoor Model			VIR09HP230V1R32AH		G20	
SYSTEM PERFORMANCE						
Cooling Capacity	Min - Max	Btu/h	2,730 - 12,966		Ultra Low Frequency Torque Control	
	Rated Capacity @95°F	Btu/h	9,100		Yes	
Heating Capacity	Min - Max	Btu/h	2,388 - 15,013		Power Factor Correction	
	Rated Capacity @47°F	Btu/h	10,500		Yes	
	Rated Capacity @17°F	Btu/h	8,800		Basepan With Electric Heater	
	Rated Capacity @5°F	Btu/h	9,500		Yes	
SEER2			26.0		Indoor & Outdoor Fin Coating (Blue Fin)	
EER2			15.0		Yes	
HSPF2			10.4		Intelligent Defrosting	
COP @5°F			1.88		Yes	
Cooling Temperature Range		°F	-20 - 122		Intelligent Preheating	
Heating Temperature Range		°F	-22 - 86		Yes	
Refrigerant Type			R32		Low Voltage Startup	
					Yes	
INDOOR UNIT			VIR09HP230V1R32AH		Memory/Power Failure Recovery	
Air flow (Min - Max)			CFM	194 - 353	Yes	
Sound Pressure Level (Min - Max)			dB(A)	20 - 41	Self Diagnosis	
Dehumidification			pt/hr	1.69	Yes	
External Dimensions (W x H x D)			in	32-31/64 x 11-17/32 x 7-23/32	Wired Controller Interface	
Package Dimension (W x H x D)			in	34-29/64 x 14-3/8 x 10-35/64	Yes	
Net Weight			lbs	20.9	WiFi Included	
Gross Weight			lbs	25.4	Yes	
OUTDOOR UNIT			VIR09HP230V1R32AO		NEW! Easy Service Access	
Compressor Type			GREE G20 / SINGLE CYLINDER / 1 - STAGE INVERTER		Yes	
Sound Pressure Level		dB(A)	52		Indoor Fan Type	
External Dimensions (W x H x D)		in	31-37/64 x 21-27/32 x 13-25/32		Crossflow	
Package Dimension (W x H x D)		in	34-21/64 x 24-13/32 x 15-43/64		Multi Fan Speeds	
Net Weight		lbs	70.6		7 Speeds	
Gross Weight		lbs	76.1		Indoor Unit Display	
REFRIGERANT PIPING					Yes	
Refrigerant Charge - R32		oz	30		Auxiliary Electrical Heater	
Additional Charge		oz/ft	0.2		No	
Line Set Size (Liquid - Gas) - Flared Connections		in	1/4 - 3/8		Ventilation (Outdoor Air)	
Pre-Charge Length		ft	25		No	
Pipe Length (Min - Max)		ft	10 - 66		REMOTE CONTROLLER FUNCTIONS	
Max. Pipe Elevation		ft	40		NEW! Auto Clean	
ELECTRICAL					Yes	
Power Supply			208-230V / 1Ph / 60Hz (Powered by the Outdoor Unit)		Auto Mode	
Voltage Range (Min - Max)		VAC	187 - 253		Yes	
Rated Current - Cooling		A	4.73		Auto Fan	
Rated Current - Heating		A	6		Yes	
MOCP		A	15		Auto Swing (Horizontal Auto Swing)	
MCA		A	10		Yes	
Main Power Wire Size		AWG	Per Local Code		Auto Swing - 180° (Vertical Auto Swing)	
Interconnecting Wire Size		AWG	14 / 4		Yes	
					Clock	
					Yes	
					Dry Mode	
					Yes	
					Dry Anti-Mildew (X-Fan) Mode	
					Yes	
					Energy Saving Mode	
					Yes	
					Dirty Filter Alert	
					Yes	
					Fan Speed Control	
					Yes	
					I Feel Function	
					Yes	
					Privacy Lock	
					Yes	
					Quiet Mode	
					Yes	
					Room Temperature Display	
					Yes	
					Sleep Mode	
					Yes	
					3 Sleep Mode Options	
					Yes	
					Timer Mode	
					Yes	
					Turbo Mode	
					Yes	
					Display On/Off Control	
					Yes	
					Freeze Guard Mode	
					Yes	
					Power Failure Mode	
					Yes	
					Humidity Control	
					Yes	

## DIMENSIONS

### INDOOR UNIT

Unit: inch

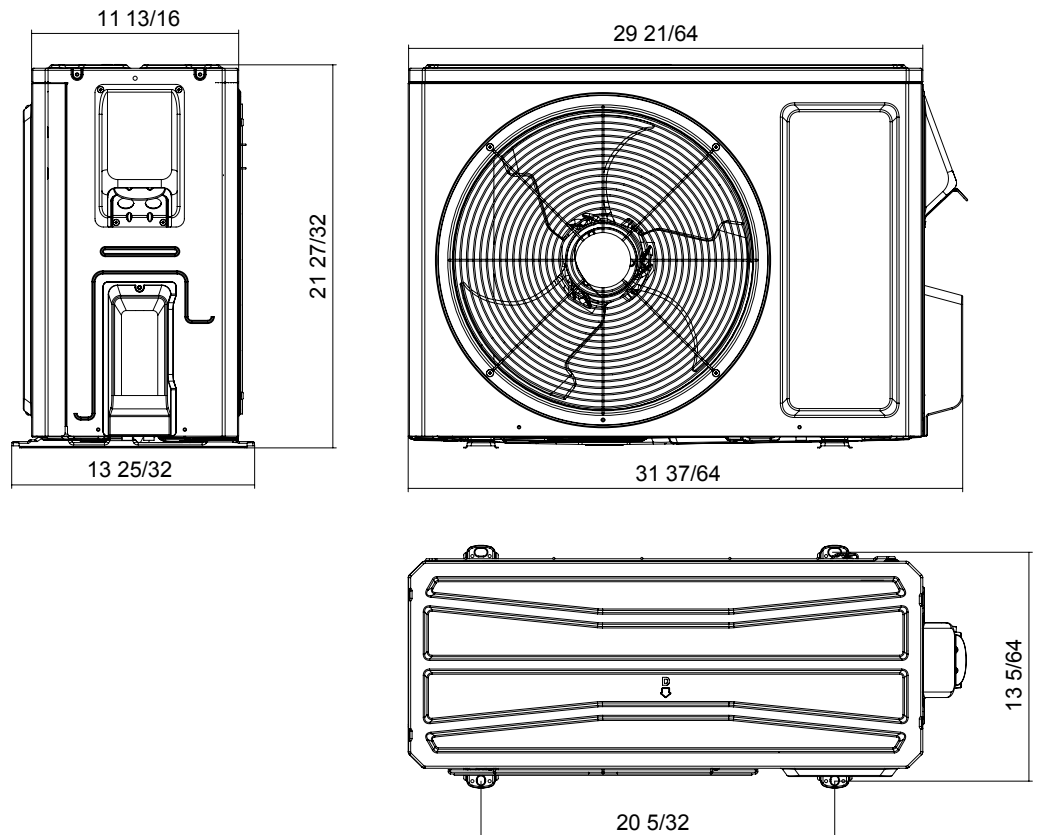
VIR09HP230V1R32AH	
DIMENSIONS	
W	32 31/64
H	11 17/32
D	7 23/32
W1	4 29/64
W2	21 11/32
W3	6 11/16



### OUTDOOR UNIT

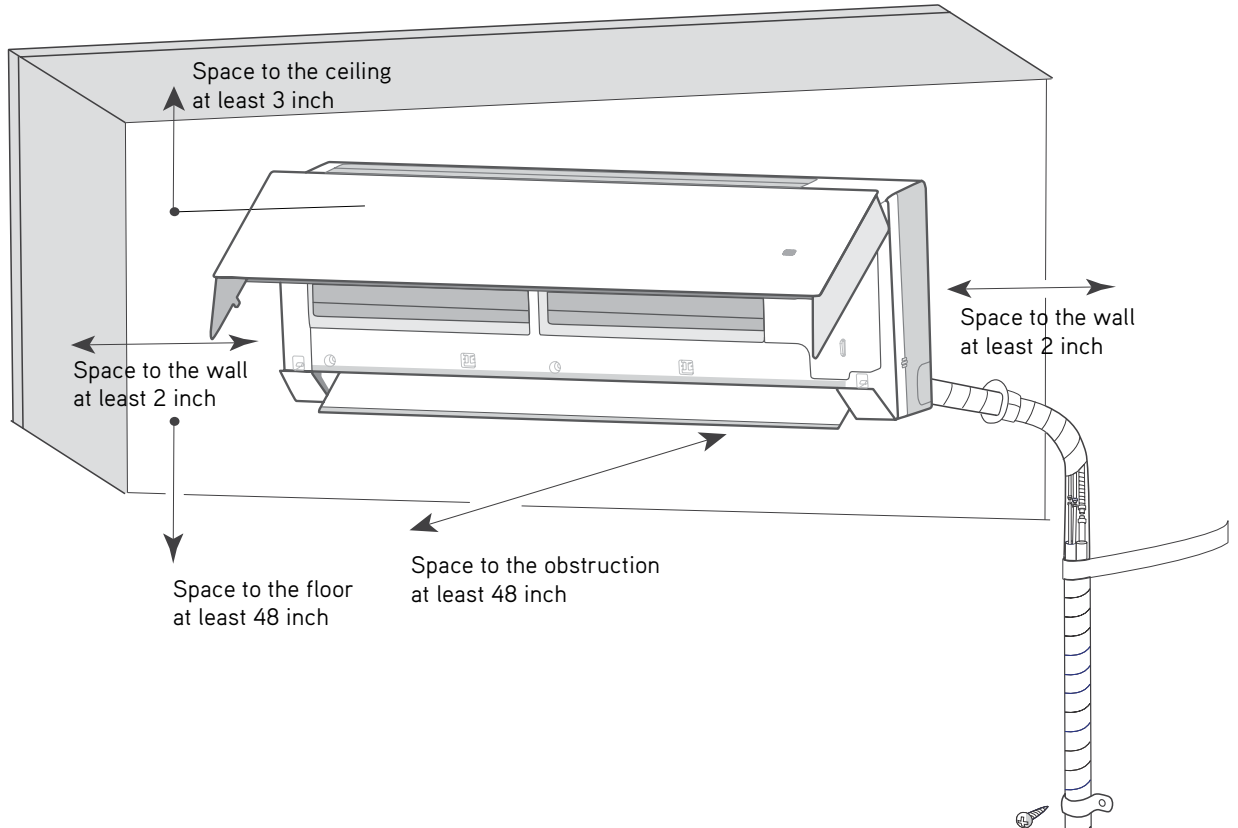
Unit: inch

VIR09HP230V1R32AO

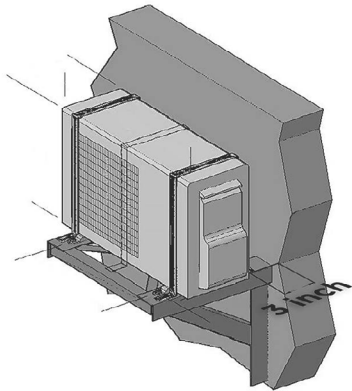


# CLEARANCES

## INDOOR UNIT Minimum clearance



## OUTDOOR UNIT Minimum clearance



**NOTE:**  
If bottom of the unit is free of airflow obstructions similar to the mounting bracket figure, the clearance to the wall on the back can be reduced to 3 inches.



Specifications are subject to change without notice. Manufacturer reserves the right to discontinue or modify specifications or designs without notice or without incurring obligations. All Rights reserved.