
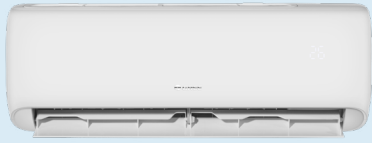




## SUBMITTAL DATA

LIV30HP230V1R32AH / LIV30HP230V1R32AO  
30000 BTU/H Wall Mounted Heat Pump System

Job Name	Location	Date
Purchaser	Engineer	
Submitted to	For	
Unit Designation	Schedule No.	

			
YBE1FB1F	LIV30HP230V1R32AH	LIV30HP230V1R32AO	XE71 (Optional)

### GENERAL FEATURES

- AHRI Certificate: [214802443](#)
- New R32 Refrigerant
- High Efficiency DC Inverter Technology
- Compact and Quiet Design
- Wireless Remote with LCD Display
- Wired Controller Options
- Composite Drain Pan
- Wi-Fi Included
- Low Ambient Cooling down to 0°F (Range 0°F to 118°F)
- Low Ambient Heating down to -13°F (Range -13°F to 75°F)
- Coil (Indoor and Outdoor) Copper Tube / Aluminum Fin
- Blue Colored Fin - 500 Hrs Salt Spray Tested

## SPECIFICATIONS, FEATURES & FUNCTION SUMMARY

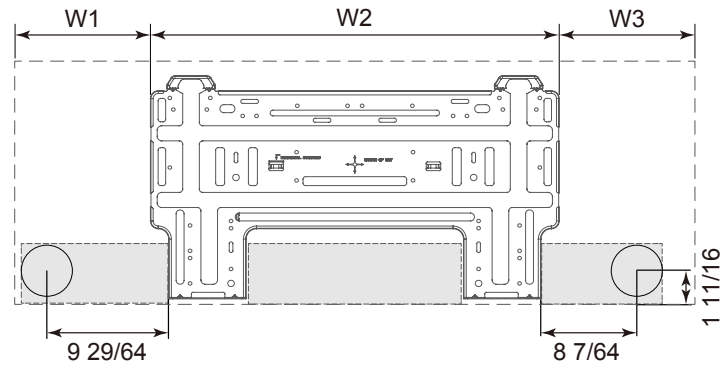
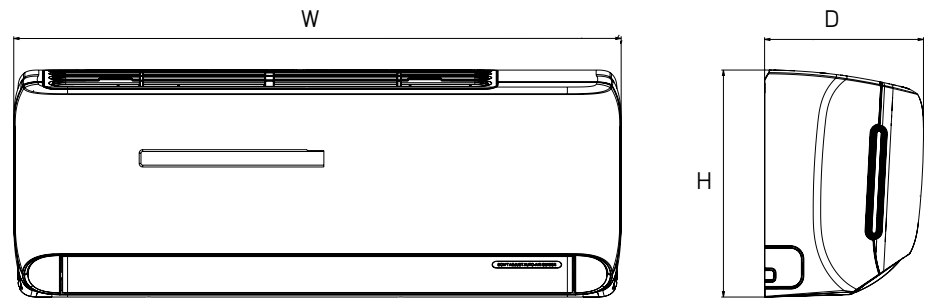
SYSTEM TYPE			HEAT PUMP			FEATURES & FUNCTIONS SUMMARY		
Outdoor Model			LIV30HP230V1R32AO			Inverter Type		
Indoor Model			LIV30HP230V1R32AH			G20		
SYSTEM PERFORMANCE						Ultra Low Frequency Torque Control		
Cooling Capacity	Min - Max	Btu/h	3,000 - 36,000			Power Factor Correction		
	Rated Capacity @95°F	Btu/h	30,000			Yes		
Heating Capacity	Min - Max	Btu/h	5,800 - 35,500			Basepan With Electric Heater		
	Rated Capacity @47°F	Btu/h	30,000			Yes		
	Rated Capacity @17°F	Btu/h	24,000			Compressor With Electric Heater		
	Rated Capacity @5°F	Btu/h	23,000			Yes		
SEER2			22.0			Outdoor Fin Coating (Color:Blue)		
EER2			10.9			Acrylic-Resin/Anti-Corrosive		
HSPF2			9.0			Intelligent Defrosting		
COP @5°F			1.8			Yes		
Cooling Temperature Range		°F	-4 - 122			Force Defrosting		
Heating Temperature Range		°F	-13 - 75			Yes		
Refrigerant Type			R32			Intelligent Preheating		
INDOOR UNIT			LIV30HP230V1R32AH			Low Voltage Startup		
Air flow (Min - Max)		CFM	441 - 794			Yes		
Sound Pressure Level (Min - Max)		dB(A)	36 - 52			Memory/Power Failure Recovery		
Dehumidification		pt/hr	7.40			Yes		
External Dimensions (W x H x D)		in	42-7/16 x 13-7/64 x 9-11/16			Self Diagnosis		
Package Dimension (W x H x D)		in	44-39/64 x 16-19/64 x 13-7/64			Yes		
Net Weight		lbs	34.2			Wired Controller Interface		
Gross Weight		lbs	40.8			Yes		
OUTDOOR UNIT			LIV30HP230V1R32AO			WiFi Included		
Compressor Type		GREE G20 / SINGLE CYLINDER / 1 - STAGE INVERTER					Indoor Fan Type	
Sound Pressure Level		dB(A)	62			Crossflow		
External Dimensions (W x H x D)		in	39-3/8 x 29-3/8 x 15-13/16			Multi Fan Speeds		
Package Dimension (W x H x D)		in	42-33/64 x 31-57/64 x 19-1/64			6 Speeds		
Net Weight		lbs	116.8			Indoor Unit Display		
Gross Weight		lbs	127.9			Yes		
REFRIGERANT PIPING						Auxiliary Electrical Heater		
Refrigerant Charge - R32		oz	56.4			No		
Additional Charge		oz/ft	0.4			Ventilation (Outdoor Air)		
Line Set Size (Liquid - Gas) - Flared Connections		in	1/4 - 5/8			No		
Pre-Charge Length		ft	25			REMOTE CONTROLLER FUNCTIONS		
Pipe Length (Min - Max)		ft	10 - 131			Auto Mode		
Max. Pipe Elevation		ft	82			Yes		
ELECTRICAL						Auto Fan		
Power Supply		208-230V / 1Ph / 60Hz (Powered by the Outdoor Unit)					Manual Horizontal Swing	
Voltage Range (Min - Max)		VAC	187 - 253			Yes		
Rated Current - Cooling		A	20			Auto Swing (Vertical Auto Swing)		
Rated Current - Heating		A	20			Yes		
MOCP		A	30			Clock on Remote Controller		
MCA		A	27			Yes		
Main Power Wire Size		AWG	Per Local Code			Dry Mode		
Interconnecting Wire Size		AWG	14 / 4			Yes		
						Dry Anti-Mildew (X-Fan) Mode		
						Yes		
						Energy Saving Mode		
						Yes		
						Dirty Filter Alert		
						No		
						I Feel Function		
						Yes		
						Lock on Remote Controller		
						Yes		
						Quiet Mode		
						Yes		
						Room Temperature Display		
						Yes		
						Sleep Mode		
						Yes		
						Timer Mode		
						Yes		
						Turbo Mode		
						Yes		
						Display On/Off Control		
						Yes		
						Freeze Guard Mode (46°F)		
						Yes		
						Display On/Off Control		
						Yes		

## DIMENSIONS

### INDOOR UNIT

Unit: inch

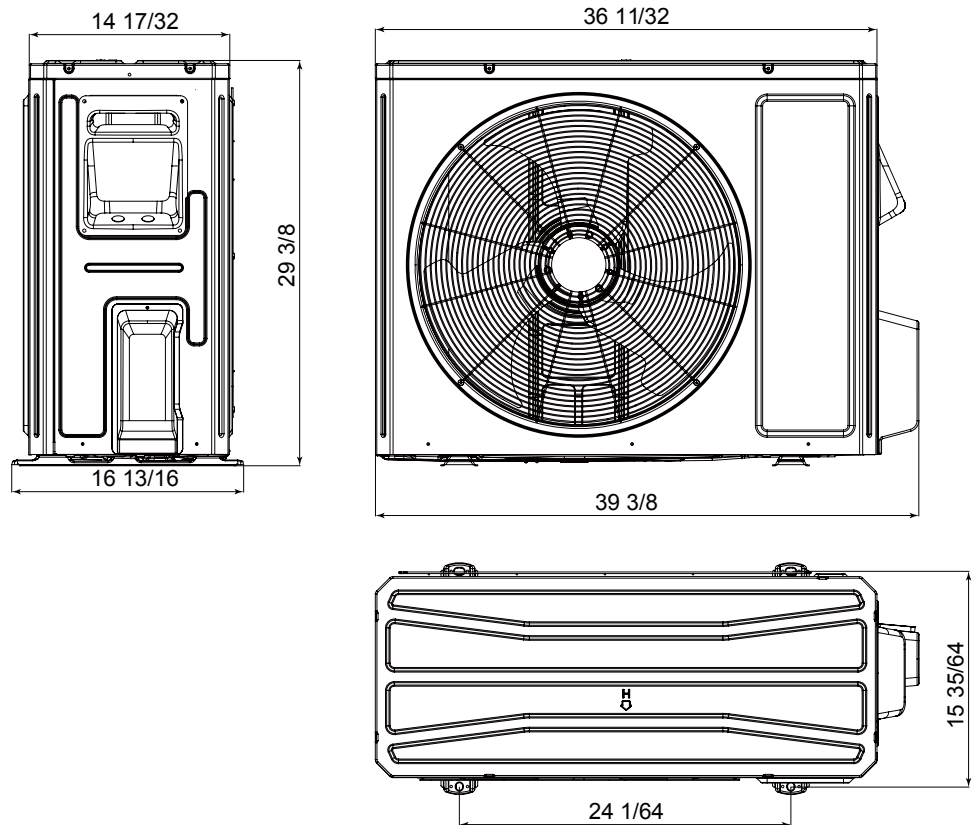
LIV30HP230V1R32AH	
DIMENSIONS	
W	42 7/16
H	13 7/64
D	9 11/16
W1	6 15/64
W2	22 7/64
W3	10 5/32



### OUTDOOR UNIT

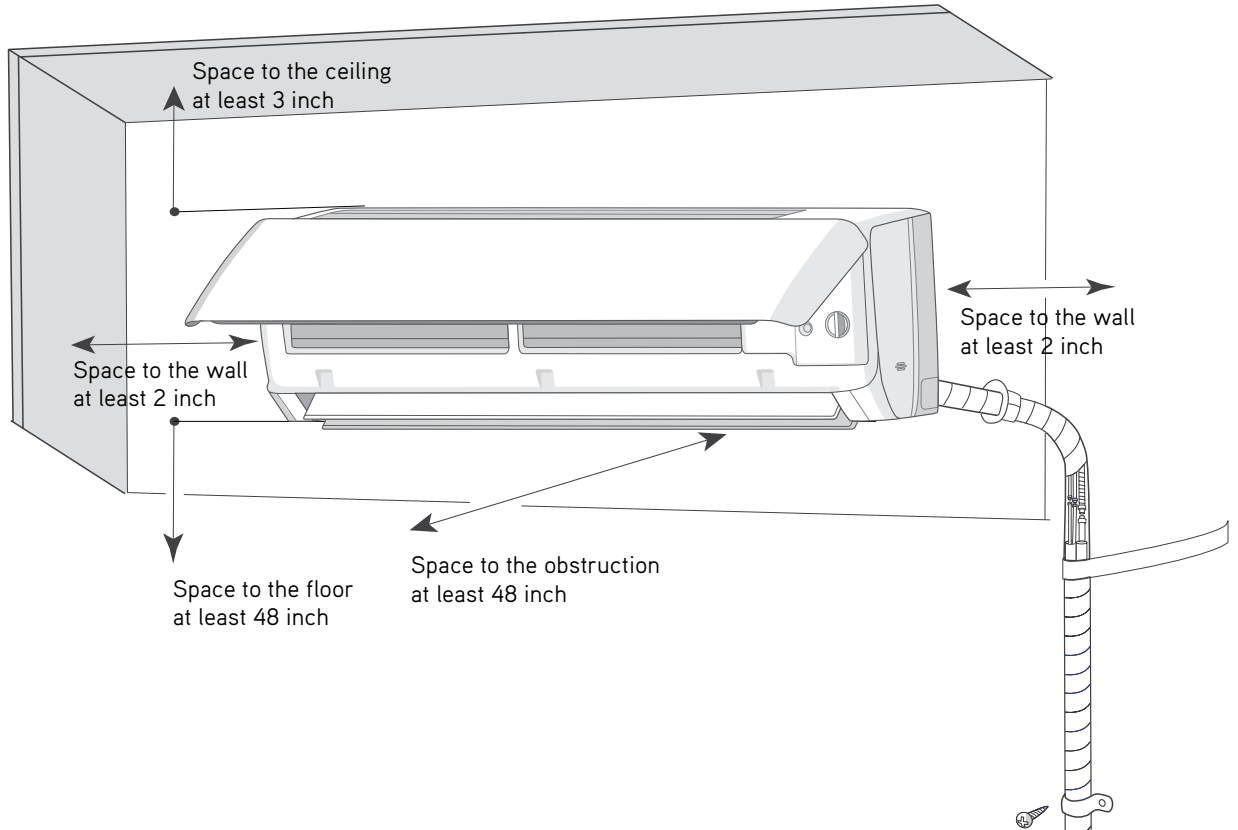
Unit: inch

LIV30HP230V1R32AO
-------------------



# CLEARANCES

## INDOOR UNIT Minimum clearance



## OUTDOOR UNIT Minimum clearance

**NOTE:**  
If bottom of the unit is free of airflow obstructions similar to the mounting bracket figure, the clearance to the wall on the back can be reduced to 3 inches.



Specifications are subject to change without notice. Manufacturer reserves the right to discontinue or modify specifications or designs without notice or without incurring obligations. All Rights reserved.