


## SUBMITTAL DATA

FXU24HP230V1R32AH / FXU24HP230V1R32AO  
24000 BTU/H Unitary Heat Pump Split System

Job Name	Location	Date
Purchaser	Engineer	
Submitted to	For	
Unit Designation	Schedule No.	

	
FXU24HP230V1R32AH	FXU24HP230V1R32AO

### GENERAL FEATURES

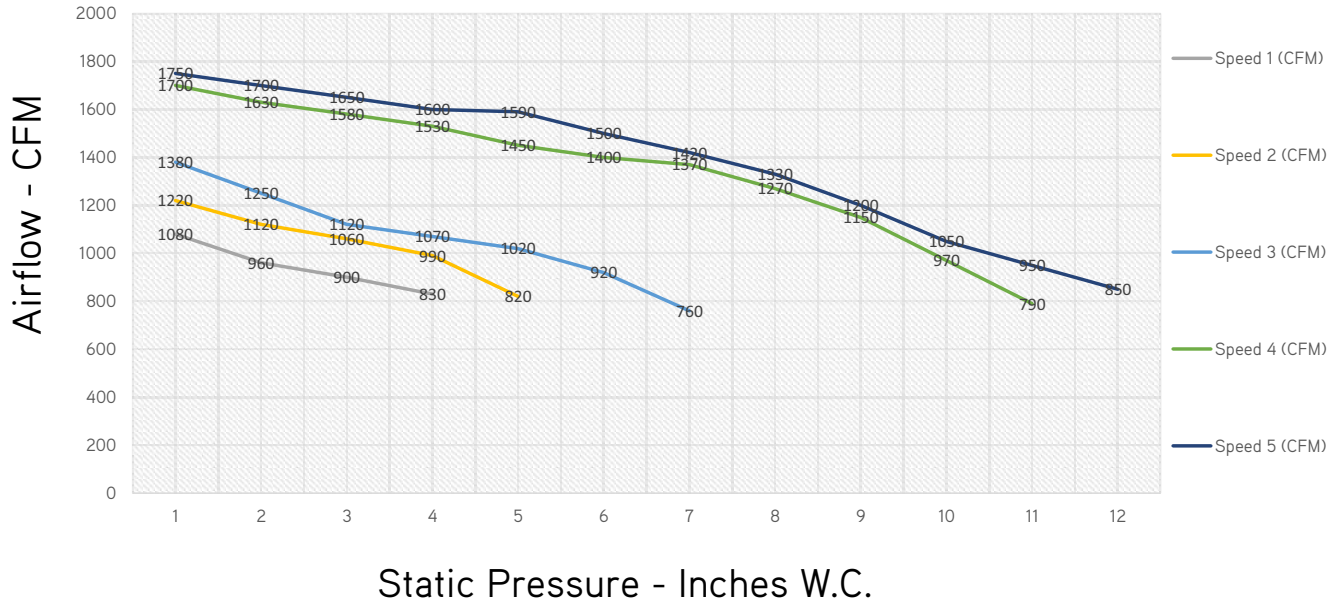
- AHRI Certificate: [215213329](#)
- High Efficiency DC Inverter Technology
- 24VAC Thermostat Compatible
- Zero Lot Line Design
- Match with GREE or Competitive Indoor Unit
- New R32 Refrigerant
- Designed for New Construction or Replacement Market
- Low Ambient Cooling down to -15°C (5°F)
- Low Ambient Heating down to -30°C (-22°F)
- Coil (Outdoor) Copper Tube/Aluminum Fin with Anti-Corrosion Coil Coating (Gold Colored Fin - 1500Hr Salt Spray Rating)
- Coil (Indoor) Copper Tube/Aluminum Fin with Anti-Corrosion Coil Coating (Blue Colored Fin - 500Hr Salt Spray Rating)

## SPECIFICATIONS, FEATURES & FUNCTION SUMMARY

SYSTEM TYPE		
Outdoor Model		FXU24HP230V1R32AO
Indoor Model		FXU24HP230V1R32AH
SYSTEM PERFORMANCE\$		
Cooling Capacity	Min - Max	Btu/h 17,952 - 26,400
	Capacity @95°F	Btu/h 24,000
Heating Capacity	Min - Max	Btu/h 17,287 - 27,000
	Capacity @47°F	Btu/h 25,000
	Capacity @17°F	Btu/h 20,600
	Capacity @5°F	Btu/h 25,000
SEER2		18.0
EER2		12.5
HSPF2		10.0
COP @5°F		2.0
Cooling Temperature Range		°F 5 - 129
Heating Temperature Range		°F -22 - 75
Refrigerant Type		R32
INDOOR UNIT		FXU24HP230V1R32AH
Power Supply		VAC 208-230V / 1Ph / 60 Hz
Sound Pressure Level		dB(A) 50
Control Voltage		VAC 24
Rated Current Cooling		A 1
Rated Current Heating		A 1
MCA		A 4.7
MOCP		A 15
Electric Heater (Optional)		kW 6
Air Flow		CFM 760
External Static Pressure (Up to)		In W.c. 1.0
Dehumidification		pt/hr /
External Dimensions (W x H x D)		in 18-1/8 x 43-1/2 x 21-1/4
Package Dimension (W x H x D)		in 20-5/8 x 45-5/8 x 26
Net Weight		lbs 135.6
Gross Weight		lbs 144.4
OUTDOOR UNIT		FXU24HP230V1R32AO
Power Supply		VAC 208-230V / 1Ph / 60 Hz
Sound Pressure Level		dB(A) 60
Control Voltage		VAC 24
Rated Current Cooling		A 10.36
Rated Current Heating		A 10.05
MCA		A 21
MOCP		A 25
Compressor Type		GREE G20 / Double Cylinder / 2 - Stage Inverter
External Dimensions (W x H x D)		in 39 x 37-13/16 x 14-9/16
Package Dimension (W x H x D)		in 45-3/8 x 43-11/16 x 18-13/16
Net Weight		lbs 187.4
Gross Weight		lbs 211.6
Refrigerant Charge - R32		oz 88.2
Additional Charge		oz/ft 0.323
REFRIGERANT PIPING		
Line Set Size (Liquid - Gas) - Flared Connections		in 3/8 - 3/4
Pre-Charge Length		ft 31
Pipe Length (Min - Max)		ft 10 - 164
Max. Pipe Elevation		ft 98

FEATURES & FUNCTIONS SUMMARY	
Ultra Low Frequency Torque Control	Yes
Power Factor Correction	Yes
Outdoor Electronic Expansion Valve (EEV)	Yes
Indoor TXV Control	Yes
Basepan With Electric Heater	Yes
Compressor With Electric Heater	Yes
Fin Coating (Outdoor - Golden & Indoor - Blue)	Acrylic Resin
Intelligent Defrosting	Yes
Intelligent Preheating	Yes
Low Voltage Startup	Yes
Memory/Power Failure Recovery	Yes
Self Diagnosis	Yes
Low Ambient Cooling	Yes
24VAC Thermostat Compatible	Yes
Indoor Fan Type	Centrifugal
Multi Fan Speeds	5 Speeds
Auxiliary Electrical Heater	Optional

## FAN PERFORMANCE



STATIC PRESSURE Inches W.C.	0	0.1	0.15	0.2	0.3	0.4	0.5	0.6	0.7	0.8	0.9	1.0
Speed 1 - CFM	1080	960	900	830								
Speed 2 - CFM	1220	1120	1060	990	820							
Speed 3 - CFM	1380	1250	1120	1070	1020	920	760					
Speed 4 - CFM	1700	1630	1580	1530	1450	1400	1370	1270	1150	970	790	
Speed 5 - CFM	1750	1700	1650	1600	1590	1500	1420	1330	1200	1050	950	850

### NOTE:

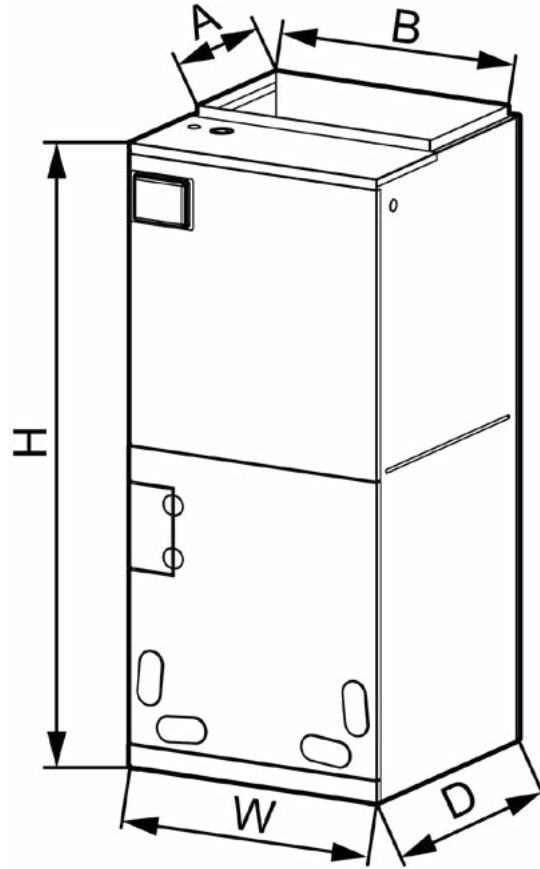
1. Above chart CFM ratings are based on dry coil with factory filter installed.
2. For wet coil CFM ratings, multiply the CFM by 0.96 correction factor.

## DIMENSIONS

### INDOOR UNIT

Unit: inch

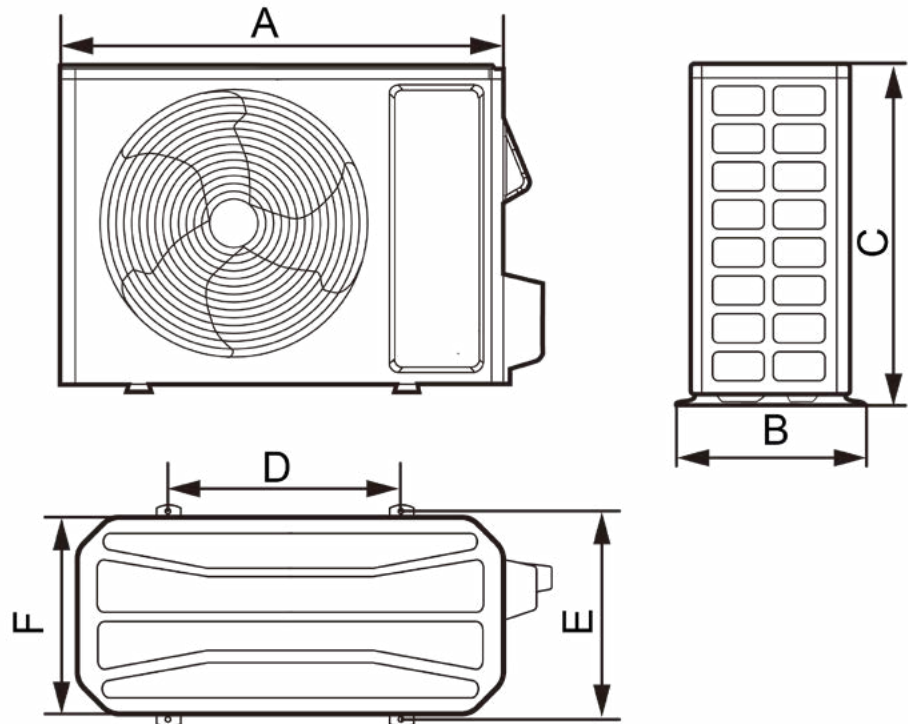
FXU24HP230V1R32AH	
DIMENSIONS	
A	11-5/8
B	16-3/4
H	43-1/2
W	18-1/8
D	21-1/4



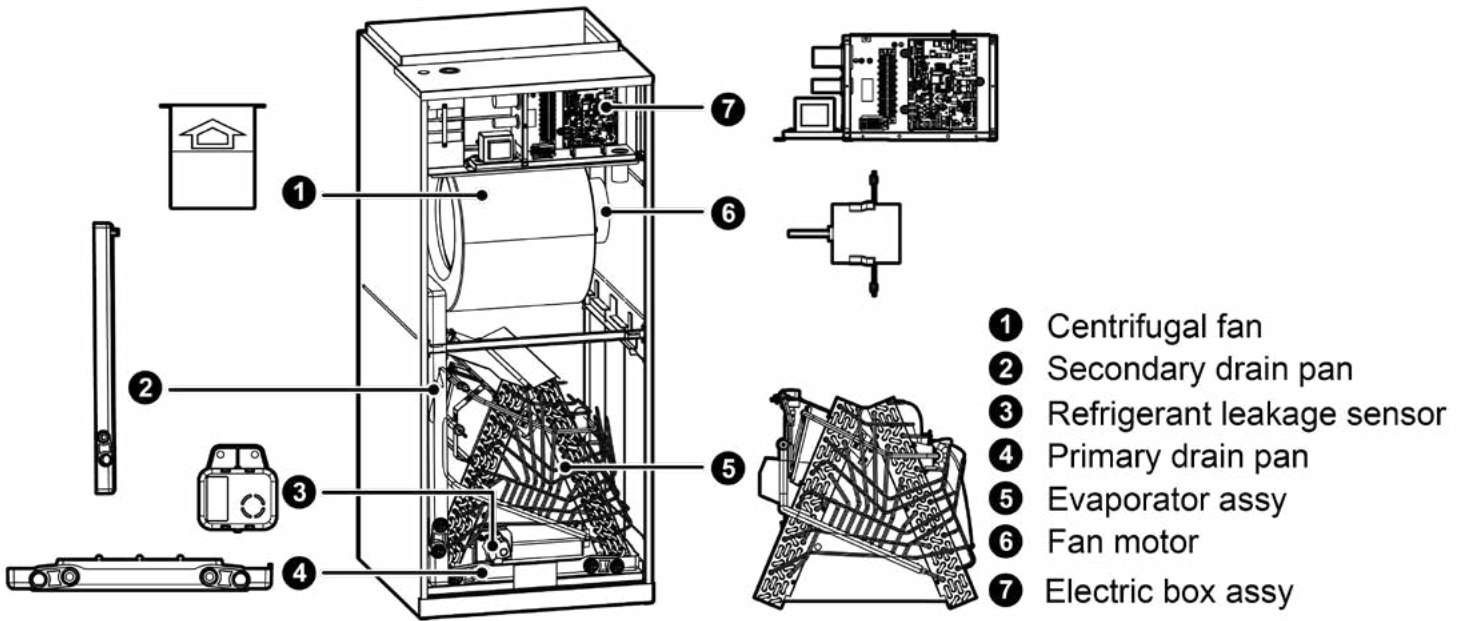
### OUTDOOR UNIT

Unit: inch

FXU24HP230V1R32AO	
DIMENSIONS	
A	39
B	16-13/16
C	37-13/16
D	29-3/4
E	15-9/16
F	14-9/16



## ACCESSORY HEATER AND GENERAL INFORMATION



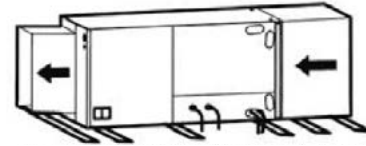
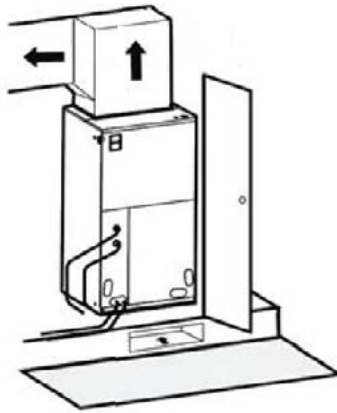
MODEL	Heat Kit Model	Part Number	Electric Heat (kW)		Min. Circuit Ampacity (A)		Max Fuse or Breaker (A)	
			208V	230V	208V	230V	208V	230V
FXU24HP230V1R32AH	320004060223	FLEXA2LHTR06	4.5	5.5	32	34.5	35	35

# CLEARANCES

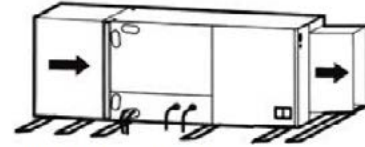
## INDOOR UNIT

Minimum clearance

FRONT > 24



Horizontal Left Configuration - No Modification Needed



Horizontal Right Configuration - Must Relocate Drain Pan

**NOTE:**

Allow a minimum of 24" in front of the unit for service clearance. When installing in an area directly over a finished ceiling (such as an attic), an emergency drain pan is required directly under the unit. **See local and state codes for requirements.** When installing this unit in an area that may become wet, elevate the unit with a sturdy, non-porous material. In installations that may lead to physical damage (i.e. a garage) it is advised to install a protective barrier to prevent such damage. This air handler is designed for a complete supply and return ductwork system.

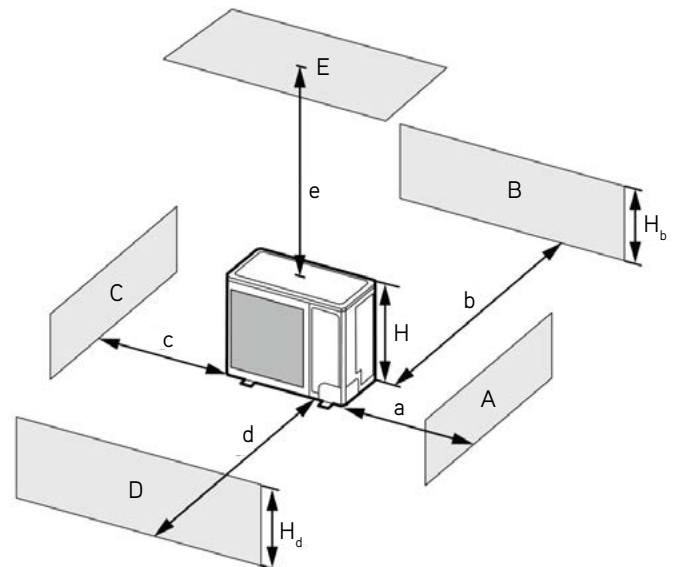
## OUTDOOR UNIT

Minimum clearance

**NOTE:**  
Install the Outdoor Unit **2 Inches**  
Above the Expected Snow Line

1. When one outdoor unit is to be installed.

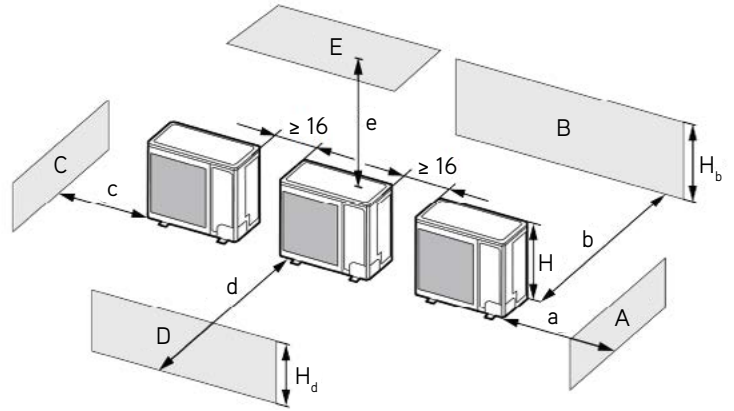
A - E	$H_b$ $H_d$ H		(in)				
			a	b	c	d	e
B	-	-	-	$\geq 4$	-	-	-
A, B, C	-	-	$\geq 12$	$\geq 4$	$\geq 4$	-	-
B, E	-	-	-	$\geq 4$	-	-	$\geq 40$
A, B, C, E	-	-	$\geq 12$	$\geq 6$	$\geq 6$	-	$\geq 40$
D	-	-	-	-	-	$\geq 40$	-
D, E	-	-	-	-	-	$\geq 40$	$\geq 40$
B, D	$H_b < H_d$	$H_d < H$	-	$\geq 4$	-	$\geq 40$	-
	$H_b > H_d$	$H_d > H$	-	$\geq 4$	-	$\geq 40$	-
B, D, E	-	$H_b \leq 1/2H$	-	$\geq 10$	-	$\geq 80$	$\geq 40$
	$H_b < H_d$	$1/2H < H_b \leq H$	-	$\geq 10$	-	$\geq 80$	$\geq 40$
	-	$H_b > H$	Prohibited				
	$H_b > H_d$	$H_b \leq 1/2H$	-	$\geq 4$	-	$\geq 80$	$\geq 40$
	$H_b > H_d$	$1/2H < H_b \leq H$	-	$\geq 8$	-	$\geq 80$	$\geq 40$
-	$H_b > H$	Prohibited					



# CLEARANCES

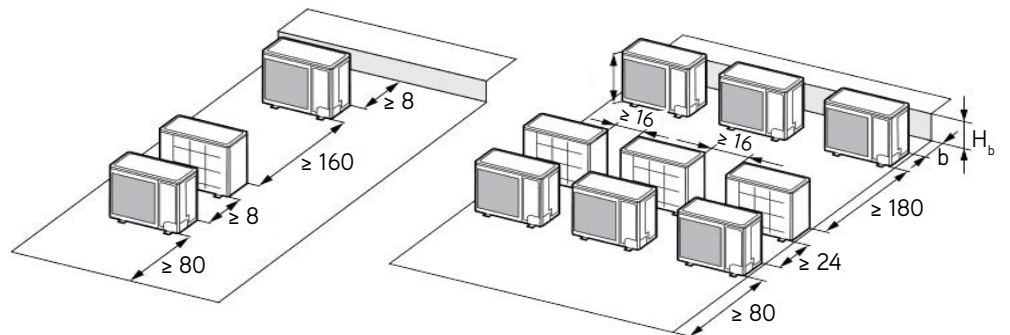
2. When two or more outdoor units are to be installed side by side.

A - E	$H_b$ $H_d$ $H$		(in)				
			a	b	c	d	e
A, B, C	-	-	≥ 12	≥ 12	≥ 40	-	-
A, B, C, E	-	-	≥ 12	≥ 12	≥ 40	-	≥ 40
D	-	-	-	-	-	≥ 80	-
D, E	-	-	-	-	-	≥ 80	≥ 40
B, D	$H_b < H_d$	$H_d > H$	-	≥ 12	-	≥ 80	-
	$H_b > H_d$	$H_d \leq 1/2H$	-	≥ 10	-	≥ 80	-
B, D, E	$H_b > H_d$	$1/2H < H_b \leq H$	-	≥ 12	-	≥ 100	-
		$H_b \leq 1/2H$	-	≥ 12	-	≥ 80	≥ 40
	$H_b < H_d$	$1/2H < H_b \leq H$	-	≥ 12	-	≥ 100	≥ 40
		$H_b > H$	Prohibited				
	$H_b > H_d$	$H_d \leq 1/2H$	-	≥ 10	-	≥ 100	≥ 40
		$1/2H < H_d \leq H$	-	≥ 12	-	≥ 100	≥ 40
	$H_d > H$	Prohibited					-

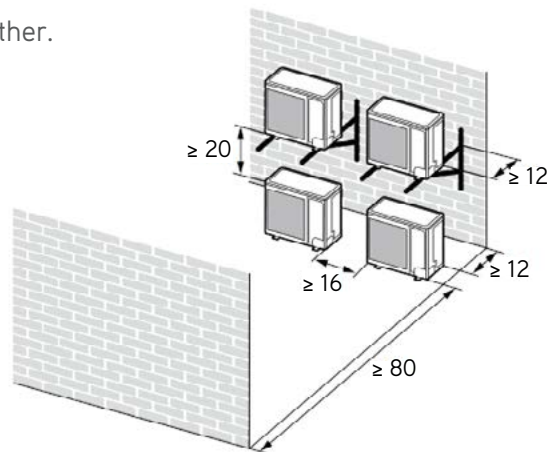


3. When outdoor units are installed in rows.

$H_b$ $H_d$	(in)
$H_b \leq 1/2H$	$b \leq 10$
$1/2H < H_b \leq H$	$b \leq 12$
$H_b > H_d$	Prohibited



4. When outdoor units are installed one above another.



Specifications are subject to change without notice. Manufacturer reserves the right to discontinue or modify specifications or designs without notice or without incurring obligations. All Rights reserved.