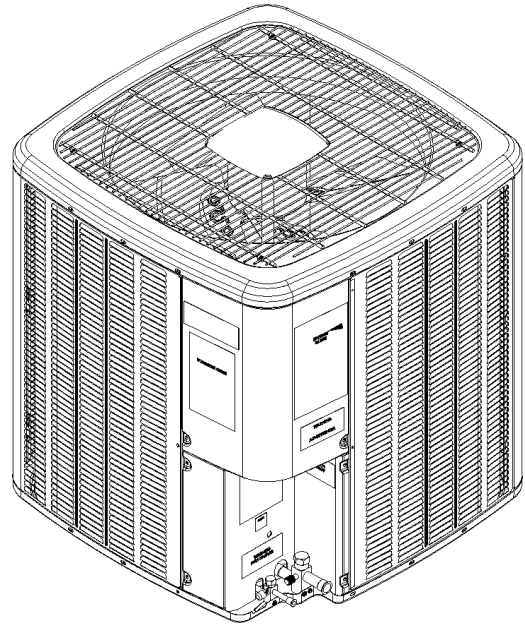




REPAIR PARTS

GSX16 Remote Condensing Unit

GSX160181FA
GSX160181FB
GSX160181FD
GSX160241FA
GSX160241FB
GSX160241FD
GSX160241FE
GSX160301FA
GSX160301FB
GSX160301FD
GSX160301FE
GSX160361FA
GSX160361FB
GSX160361FD
GSX160421FA
GSX160421FB
GSX160421FD
GSX160481FA
GSX160481FB
GSX160481FD
GSX160601FA
GSX160601FB
GSX160601FD
GSX160601FE
GSX160611FA
GSX160611FB
GSX160611FD



This manual is to be used by qualified technicians only.

This manual replaces RP-774F.

© 2013 - 2016, 2019 Goodman Manufacturing Company, L.P. ♦ 19001 Kermier Rd. ♦ Waller, TX 77484

Important Information

Index

Functional Parts List	3
Illustration and Parts	4 - 9

Views shown are for parts illustrations only, not servicing procedures

Text Codes:

AR - As Required

NA - Not Available

NS - Not Shown

00000000 - See Note

QTY - Quantity Example (QTY 3) (If Quantity not shown, Quantity = 1)

M - Model Example (M1) (If M Code not shown, then part is used on all Models)

Expanded Model Nomenclature:

Example M1 - Model#1 M2 - Model#2 M3 - Model#3

Goodman Manufacturing Company, L.P. is not responsible for personal injury or property damage resulting from improper service. Review all service information before beginning repairs.

Warranty service must be performed by an authorized technician, using authorized factory parts. If service is required after the warranty expires, Goodman Manufacturing Company, L.P. also recommends contacting an authorized technician and using authorized factory parts.

Goodman Manufacturing Company, L.P. reserves the right to discontinue, or change at any time, specifications or designs without notice or without incurring obligations.

For assistance within the U.S.A. contact:
Homeowner Support
Goodman Manufacturing Company, L.P.
19001 Kermier Road
Waller, Texas 77484
877-254-4729-Telephone
713-863-2382-Facsimile

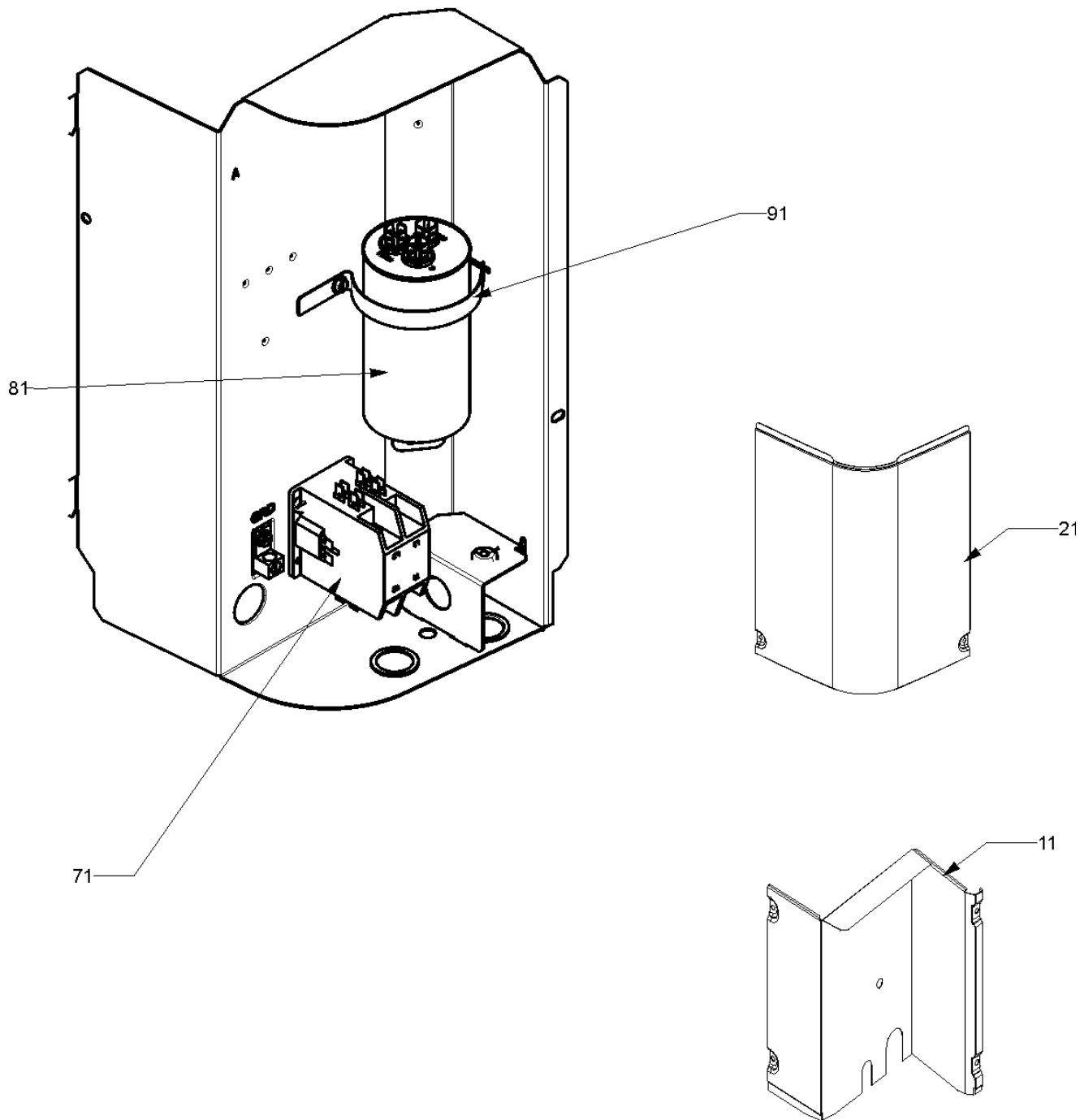
For assistance outside the U.S.A. contact:
International Division
Goodman Manufacturing Company, L.P.
19001 Kermier Road
Waller, Texas 77484
713-861-2500-Telephone
713-863-2382-Facsimile

Functional Parts

Part No: **Description:**

Part No:	Description:	Expanded Model Nomenclature
0151R00081	7/8" BALL VALVE (M20, M23, M24, M27)	M1 - GSX160181FA
0151R00046	7/8" BALL VALVE (M9, M13, M16, M19, M22, M26)	M2 - GSX160181FB
0151R00045	BALL VALVE, 3/4 (M2, M5)	M3 - GSX160181FD
0151R00079	BASE VALVE 3/4" (M1, M3, M4, M6, M7)	M4 - GSX160241FA
0151R00167	BASE VALVE 3/8"	M5 - GSX160241FB
0151R00080	BASE VALVE 7/8" (M8, M10, M11, M12, M14, M15, M17, M18, M21, M25)	M6 - GSX160241FD
CAP050300440CS	CAP.5/30MFD/440V/DUAL RD (M1, M2, M3)	M7 - GSX160241FE
CAP050350440CS	CAPACITOR 5/35/440V (M4, M5, M6, M7)	M8 - GSX160301FA
CAP050400440CT	CAPACITOR 5/40/440V/DUAL RD (M8, M9, M10, M11)	M9 - GSX160301FB
CAP050450440CT	CAPACITOR 5/45/440V/DUAL RD (M12, M13, M14, M15, M16, M17, M18, M19, M20)	M10 - GSX160301FD
CAP050700440CT	CAPACITOR 5/70/440V/DUAL RD (M21, M22, M23, M24, M25, M26, M27)	M11 - GSX160301FE
ZP14K5EPFV130	COMP, 14650,208/230/60/1 (M1, M2, M3)	M12 - GSX160361FA
ZP24K5EPFV130	COMP,24000,208/230/60/1 (M8, M9, M10, M11)	M13 - GSX160361FB
ZP29K5EPFV130	COMP,29000,208/230/60/1 (M12, M13, M14)	M14 - GSX160361FD
ZP44K5EPFV130	COMP,44400,280/230/60/1 (M21, M22, M23, M24)	M15 - GSX160421FA
ZP49K5EPFV130	COMP,49400,208/230/60/1 (M25, M26, M27)	M16 - GSX160421FB
ZP20K5EPFV130	COMPRESSOR 20000, 208/230/60/1 (M4, M5, M6, M7)	M17 - GSX160421FD
ZP34K5EPFV130	COMPRESSOR 34500, 208/230/60/1 (M15, M16, M17)	M18 - GSX160481FA
ZP36K5EPFV130	COMPRESSOR 36200, 208/230/60/1 (M18, M19, M20)	M19 - GSX160481FB
CONT1P025024V	CONTACTOR 25 AMP, 1P, 24V (M1, M2, M3, M4, M5, M6, M7, M12, M13, M14)	M20 - GSX160481FD
CONT1P030024V	CONTACTOR 30 AMP, 1P, 24V (M8, M9, M10, M11, M15, M16, M17, M18, M19, M20, M21, M22, M23, M24, M25, M26, M27)	M21 - GSX160601FA
0131M00761	ECM MOTOR - PROGRAMMED (IGBT) (M21, M22, M23, M24)	M22 - GSX160601FB
0150M00008	FAN BLADE 22" TNT2203-25 (M1, M2, M3, M4, M5, M6, M7, M8, M9, M10, M11, M12, M13, M14)	M23 - GSX160601FD
10625738	FAN BLADE 26" ALUM CCW (M15, M16, M17, M18, M19, M20, M25, M26, M27)	M24 - GSX160601FE
0150M00010	FAN BLADE 26" ALUM CCW (M21, M22, M23, M24)	M25 - GSX160611FA
0163R00003	HEATER, CRANKCASE 230V 40W (M21, M22, M23, M24)	M26 - GSX160611FB
0131M00061	MOTOR, 1/4HP, 1SP, 8PL (M18, M19, M20, M25, M26, M27)	M27 - GSX160611FD
0131M00060	MOTOR, 1/6 HP 1SP 8PL (M1, M2, M4, M5, M8, M9, M12, M13, M15, M16)	
0131M00753	MOTOR, 1/6HP, 1SP, 8PL, AL (M3, M6, M7, M10, M11, M14, M17)	
		0161R00092 NAMEPLATE, GOODMAN

Control Box



Control Box

Ref. Part No:	No:	Description:	Ref. Part No:	No:	Description:
<i>Image 1:</i>			Expanded Model Nomenclature		
11	0121R00663PDG	LOWER ACCESS PANEL (M1, M3, M4, M6, M7)	M1	-	GSX160181FA
11	0121R00316PDG	PANEL, LOWER ACCESS (M12, M14, M18, M20, M25, M26, M27)	M2	-	GSX160181FB
11	0121R00318PDG	PANEL, LOWER ACCESS (M21, M23, M24)	M3	-	GSX160181FD
11	0121R00319PDG	PANEL, LOWER ACCESS (M8, M10, M11, M15, M17)	M4	-	GSX160241FA
11	0121R00357PDG	PANEL, LOWER ACCESS (M2, M5)	M5	-	GSX160241FB
11	0121R00358PDG	PANEL, LOWER ACCESS (M9, M16)	M6	-	GSX160241FD
11	0121R00359PDG	PANEL, LOWER ACCESS (M13, M19)	M7	-	GSX160241FE
11	0121R00516PDG	PANEL, LOWER ACCESS (M22)	M8	-	GSX160301FA
21	0121R00053PDG	CONTROL COVER	M9	-	GSX160301FB
71	CONT1P025024V	CONTACTOR 25 AMP, 1P, 24V (M1, M2, M3, M4, M5, M6, M7, M12, M13, M14)	M10	-	GSX160301FD
71	CONT1P030024V	CONTACTOR 30 AMP, 1P, 24V (M8, M9, M10, M11, M15, M16, M17, M18, M19, M20, M21, M22, M23, M24, M25, M26, M27)	M11	-	GSX160301FE
81	CAP050300440CS	CAP,5/30MFD/440V/DUAL RD (M1, M2, M3)	M12	-	GSX160361FA
81	CAP050350440CS	CAPACITOR 5/35/440V (M4, M5, M6, M7)	M13	-	GSX160361FB
81	CAP050400440CT	CAPACITOR 5/40/440V/DUAL RD (M8, M9, M10, M11)	M14	-	GSX160361FD
81	CAP050450440CT	CAPACITOR 5/45/440V/DUAL RD (M12, M13, M14, M15, M16, M17, M18, M19, M20)	M15	-	GSX160421FA
81	CAP050700440CT	CAPACITOR 5/70/440V/DUAL RD (M21, M22, M23, M24, M25, M26, M27)	M16	-	GSX160421FB
91	4400065	CAPACITOR STRAP	M17	-	GSX160421FD
NS	0161R00092	NAMEPLATE, GOODMAN	M18	-	GSX160481FA
			M19	-	GSX160481FB
			M20	-	GSX160481FD
			M21	-	GSX160601FA
			M22	-	GSX160601FB
			M23	-	GSX160601FD
			M24	-	GSX160601FE
			M25	-	GSX160611FA
			M26	-	GSX160611FB
			M27	-	GSX160611FD

Cabinet Top / Side Panels

IMAGE 1

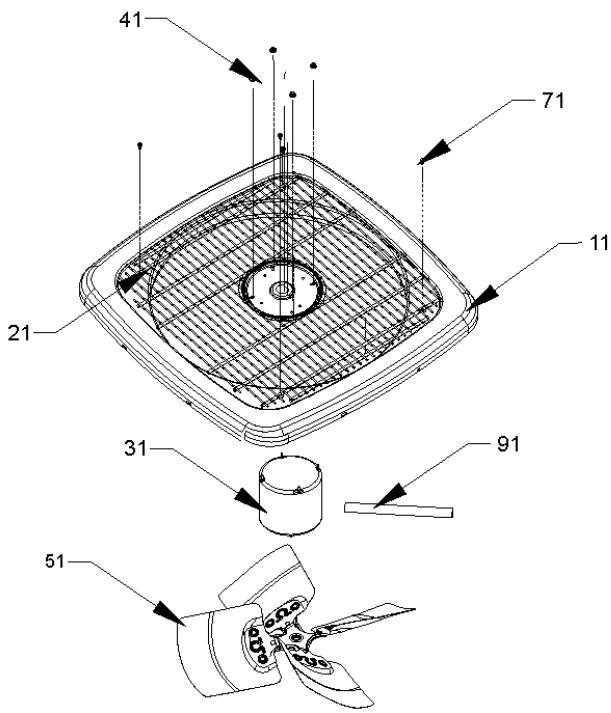


IMAGE 2

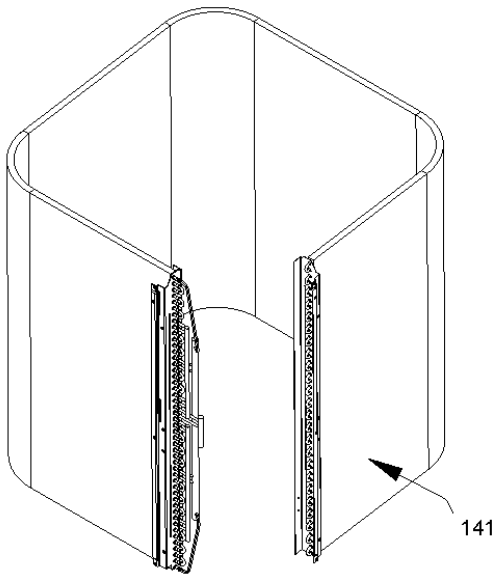
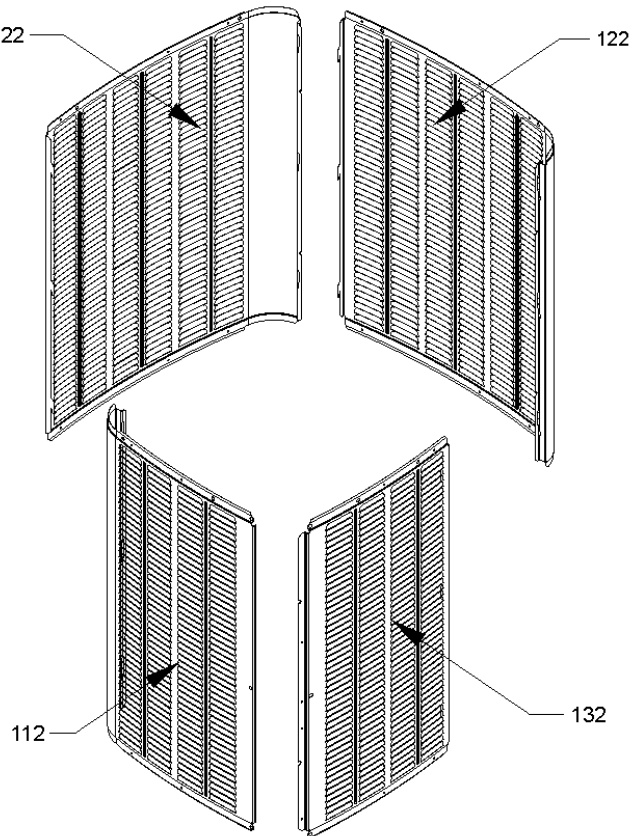
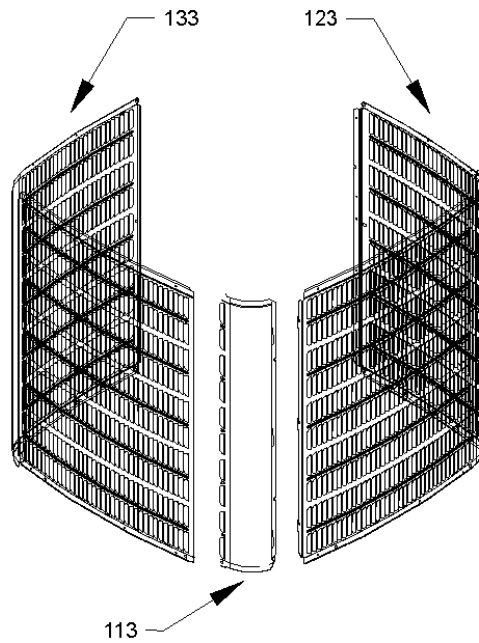


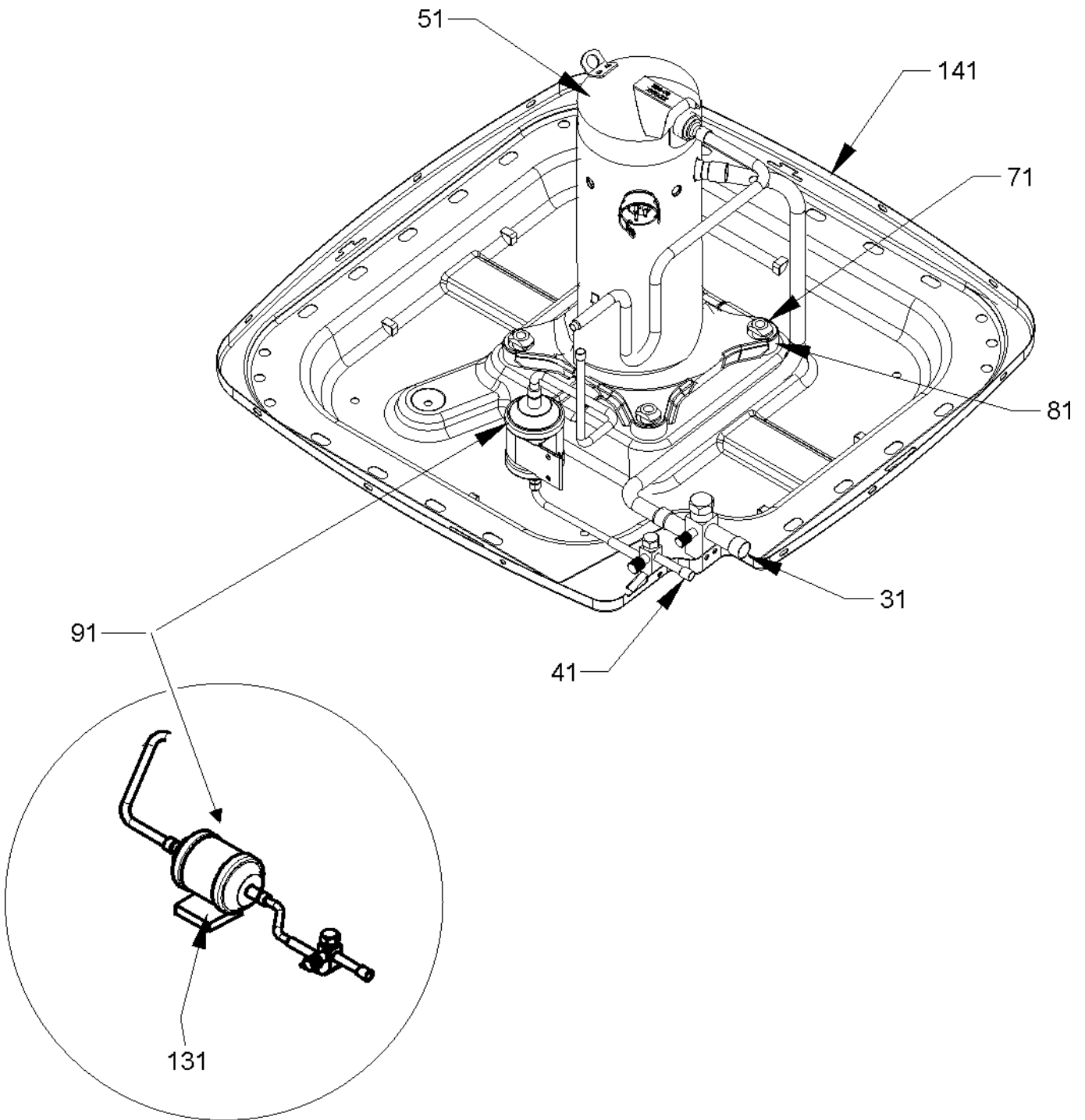
IMAGE 3



Cabinet Top / Side Panels

Ref. Part No:	No:	Description:	Ref. Part No:	No:	Description:
Image 1:			Image 2:		
11	0121R00011PDG	VENTURI TOP PANEL 29" (M1, M2, M3, M4, M5, M6, M7, M8, M9, M10, M11, M12, M13, M14)	132	0121R00051PDG	LOUVERED SIDE PANEL [RT OF CNTL PNL] (M21, M22, M23, M24)
11	0121R00013PDG	VENTURI TOP PANEL 35" (M15, M16, M17, M18, M19, M20, M21, M22, M23, M24, M25, M26, M27)	132	0121R00234PDG	LOUVERED SIDE PANEL [RT OF CNTL PNL] (M15, M16, M17)
21	0152R00015	GRILLE, WIRE 29" TOP (M1, M2, M3, M4, M5, M6, M7, M8, M9, M10, M11, M12, M13, M14)	132	0121R00235PDG	LOUVERED SIDE PANEL [RT OF CNTL PNL] (M18, M19, M20, M25, M26, M27)
21	0152R00016	GRILLE, WIRE 35" TOP (M15, M16, M17, M18, M19, M20, M21, M22, M23, M24, M25, M26, M27)	Image 3:		
31	0131M00761	ECM MOTOR - PROGRAMMED (IGBT) (M21, M22, M23, M24)	113	0121R00350PDG	Louver Post, PDG 28.73 (M1, M2, M3, M4, M5, M6, M7)
31	0131M00061	MOTOR, 1/4HP, 1SP, 8PL (M18, M19, M20, M25, M26, M27)	113	0121R00352PDG	Louver Post, PDG 32.51 (M8, M9, M10, M11)
31	0131M00060	MOTOR, 1/6 HP 1SP 8PL (M1, M2, M4, M5, M8, M9, M12, M13, M15, M16)	113	0121R00354PDG	Louver Post, PDG 36.30 (M12, M13, M14)
31	0131M00753	MOTOR, 1/6HP, 1SP, 8PL, AL (M3, M6, M7, M10, M11, M14, M17)	123	0121R00342PDGRS	LOUVERED PANEL (M1, M2, M3, M4, M5, M6, M7)
41	M0280801	HEX NUT (M1, M2, M3, M4, M5, M6, M7, M8, M9, M10, M11, M12, M13, M14, M15, M16, M17, M18, M19, M20, M25, M26, M27)	123	0121R00344PDGRS	LOUVERED PANEL (M8, M9, M10, M11)
41	B1393024	LOCK NUT (M21, M22, M23, M24)	123	0121R00346PDGRS	LOUVERED PANEL (M12, M13, M14)
51	0150M00008	FAN BLADE 22" TNT2203-25 (M1, M2, M3, M4, M5, M6, M7, M8, M9, M10, M11, M12, M13, M14)	133	0121R00342PDGLS	LOUVERED PANEL (M1, M2, M3, M4, M5, M6, M7)
51	0150M00010	FAN BLADE 26" ALUM CCW (M21, M22, M23, M24)	133	0121R00344PDGLS	LOUVERED PANEL (M8, M9, M10, M11)
51	10625738	FAN BLADE 26" ALUM CCW (M15, M16, M17, M18, M19, M20, M25, M26, M27)	133	0121R00346PDGLS	LOUVERED PANEL (M12, M13, M14)
71	0163M00003P	SCREW #10 X 1/2, A, SLOT, SR, BLACK (QTY 3)	Expanded Model Nomenclature		
91	0161R00002P	CONDUIT (M1, M2, M3, M4, M5, M6, M7, M8, M9, M10, M11, M12, M13, M14)	M1 - GSX160181FA		
91	0161R00004P	CONDUIT (M15, M16, M17, M18, M19, M20, M25, M26, M27)	M2 - GSX160181FB		
141	0201R00236	COIL TUBING ASSY (M12, M13, M14)	M3 - GSX160181FD		
141	0201R00296	COIL TUBING ASSY (M1, M2, M3, M4, M5, M6, M7)	M4 - GSX160241FA		
141	0201R00311	COIL TUBING ASSY (M15, M16, M17)	M5 - GSX160241FB		
141	0201R00315	COIL TUBING ASSY (M8, M9, M10, M11)	M6 - GSX160241FD		
141	0201R00433	COIL TUBING ASSY (M18, M19, M20, M25, M26, M27)	M7 - GSX160241FE		
141	0201R00434	COIL TUBING ASSY (M21, M22, M23, M24)	M8 - GSX160301FA		
NS	0161R00088	CAP, GRILL (M1, M2, M3, M4, M5, M6, M7, M8, M9, M10, M11, M12, M13, M14, M15, M16, M17, M18, M19, M20, M21, M22, M23, M24, M26)	M9 - GSX160301FB		
Image 2:			M10 - GSX160301FD		
112	0121R00043PDGB	LOUVERED SIDE PANEL [LT OF CNTL PNL] (M21, M22, M23, M24)	M11 - GSX160301FE		
112	0121R00228PDGB	LOUVERED SIDE PANEL [LT OF CNTL PNL] (M15, M16, M17)	M12 - GSX160361FA		
112	0121R00229PDGB	LOUVERED SIDE PANEL [LT OF CNTL PNL] (M18, M19, M20, M25, M26, M27)	M13 - GSX160361FB		
122	0121R00047PDGB	LOUVERED PANEL (M21, M22, M23, M24)	M14 - GSX160361FD		
122	0121R00232PDGB	LOUVERED PANEL (M18, M19, M20, M25, M26, M27)	M15 - GSX160421FA		
122	0121R00231PDGB	LOUVERED SIDE PANEL (M15, M16, M17)	M16 - GSX160421FB		
			M17 - GSX160421FD		
			M18 - GSX160481FA		
			M19 - GSX160481FB		
			M20 - GSX160481FD		
			M21 - GSX160601FA		
			M22 - GSX160601FB		
			M23 - GSX160601FD		
			M24 - GSX160601FE		
			M25 - GSX160611FA		
			M26 - GSX160611FB		
			M27 - GSX160611FD		

Compressor / Tubing Assembly



Compressor / Tubing Assembly

Ref. Part No: No:	Description:	Ref. Part No: No:	Description:
Image 1:		Expanded Model Nomenclature	
31	0151R00046	7/8" BALL VALVE (M9, M13, M16, M19, M22, M26)	M1 - GSX160181FA
31	0151R00081	7/8" BALL VALVE (M20, M23, M24, M27)	M2 - GSX160181FB
31	0151R00045	BALL VALVE, 3/4 (M2, M5)	M3 - GSX160181FD
31	0151R00079	BASE VALVE 3/4" (M1, M3, M4, M6, M7)	M4 - GSX160241FA
31	0151R00080	BASE VALVE 7/8" (M8, M10, M11, M12, M14, M15, M17, M18, M21, M25)	M5 - GSX160241FB
41	0151R00167	BASE VALVE 3/8"	M6 - GSX160241FD
51	ZP14K5EPFV130	COMP, 14650,208/230/60/1 (M1, M2, M3)	M7 - GSX160241FE
51	ZP24K5EPFV130	COMP,24000,208/230/60/1 (M8, M9, M10, M11)	M8 - GSX160301FA
51	ZP29K5EPFV130	COMP,29000,208/230/60/1 (M12, M13, M14)	M9 - GSX160301FB
51	ZP44K5EPFV130	COMP,44400,280/230/60/1 (M21, M22, M23, M24)	M10 - GSX160301FD
51	ZP49K5EPFV130	COMP,49400,208/230/60/1 (M25, M26, M27)	M11 - GSX160301FE
51	ZP20K5EPFV130	COMPRESSOR 20000, 208/230/60/1 (M4, M5, M6, M7)	M12 - GSX160361FA
51	ZP34K5EPFV130	COMPRESSOR 34500, 208/230/60/1 (M15, M16, M17)	M13 - GSX160361FB
51	ZP36K5EPFV130	COMPRESSOR 36200, 208/230/60/1 (M18, M19, M20)	M14 - GSX160361FD
71	M0221641	TF SHOULDER SCREW (QTY 4)	M15 - GSX160421FA
81	B1339533	COMPRESSOR GROMMET (QTY 4)	M16 - GSX160421FB
91	0162R00009	FILTER DRIER	M17 - GSX160421FD
131	0141R00061	FOAM BLOCK, FILTER DRYER (M21, M22, M23, M24)	M18 - GSX160481FA
141	0121R00006PDG	BASE PAN 29" (M1, M2, M3, M4, M5, M6, M7, M8, M9, M10, M11, M12, M13, M14)	M19 - GSX160481FB
141	0121R00007PDG	BASE PAN 35" (M15, M16, M17, M18, M19, M20, M21, M22, M23, M24, M25, M26, M27)	M20 - GSX160481FD
NS	0121R00003	BRACKET, MOTOR MOUNT (M21, M22, M23, M24)	M21 - GSX160601FA
NS	0159R00001P	COMPRESSOR SCROLL HARNESS (M1, M2, M3, M4, M5, M6, M7, M8, M9, M10, M11, M12, M13, M14)	M22 - GSX160601FB
NS	0159R00002P	COMPRESSOR SCROLL HARNESS (M15, M16, M17, M18, M19, M20, M21, M22, M23, M24, M25, M26, M27)	M23 - GSX160601FD
NS	B1789872	FLOW CHECK PISTON KIT (M12, M13, M14)	M24 - GSX160601FE
NS	B1789886	FLOW CHECK PISTON KIT (M21, M22, M23, M24)	M25 - GSX160611FA
NS	B1789849	FLOW CHECK PISTON KIT .049 (M1, M2, M3)	M26 - GSX160611FB
NS	B1789857	FLOW CHECK PISTON KIT .057 (M4, M5, M6, M7)	M27 - GSX160611FD
NS	B1789865	FLOW CHECK PISTON KIT .065 (M8, M9, M10, M11)	
NS	B1789874	FLOW CHECK PISTON KIT .074 (M15, M16, M17)	
NS	B1789878	FLOW CHECK PISTON KIT .078 (M18, M19, M20)	
NS	B1789888	FLOW CHECK PISTON KIT .088 (M25, M26, M27)	
NS	0163R00003	HEATER, CRANKCASE 230V 40W (M21, M22, M23, M24)	