



REPAIR PARTS

GSX16 Remote Condensing Unit

GSX160181FE
GSX160181FF
GSX160181FG
GSX160241FF
GSX160241FG
GSX160241FJ
GSX160301FF
GSX160301FG
GSX160301FH
GSX160311AE
GSX160361FE
GSX160361FF
GSX160361FG
GSX160421FE
GSX160421FF
GSX160421FG
GSX160481FE
GSX160481FF
GSX160481FG
GSX160481FH
GSX160481FJ
GSX160601FF
GSX160601FG
GSX160611FE
GSX160611FF
GSX160611FG
GSX160611FH



This manual is to be used by qualified technicians only.

This manual replaces RP-G4303C.

© 2016, 2018, 2021 Goodman Manufacturing Company, L.P. ♦ 5151 San Felipe St, Suite 500 ♦ Houston, TX 77056

Important Information

Index

Functional Parts List	3
Illustration and Parts	4 - 9

Views shown are for parts illustrations only, not servicing procedures.

Text Codes:

AR - As Required

NA - Not Available

NS - Not Shown

00000000 - See Note

QTY - Quantity Example (QTY 3) (If Quantity not shown, Quantity = 1)

M - Model Example (M1) (If M Code not shown, then part is used on all Models)

Expanded Model Nomenclature:

Example M1 - Model#1 M2 - Model#2 M3 - Model#3

Goodman Manufacturing Company, L.P. is not responsible for personal injury or property damage resulting from improper service. Review all service information before beginning repairs.

Warranty service must be performed by an authorized technician, using authorized factory parts. If service is required after the warranty expires, Goodman Manufacturing Company, L.P. also recommends contacting an authorized technician and using authorized factory parts.

Goodman Manufacturing Company, L.P. reserves the right to discontinue, or change at any time, specifications or designs without notice or without incurring obligations.

For assistance within the U.S.A. contact:
Homeowner Support
Goodman Manufacturing Company, L.P.
19001 Kermier Road
Waller, Texas 77484
877-254-4729-Telephone
713-863-2382-Facsimile

For assistance outside the U.S.A. contact:
International Division
Goodman Manufacturing Company, L.P.
19001 Kermier Road
Waller, Texas 77484
713-861-2500-Telephone
713-863-2382-Facsimile

Functional Parts

Part

No: **Description:**

0151R00182	BALL VALVE 7/8" (M17, M18, M19, M20, M21, M22, M23, M24, M25, M26, M27)
0151R00185	BASE VALVE 3/4" (M1, M2, M3, M4, M5, M6)
0151R00187	BASE VALVE 3/8"
0151R00186	BASE VALVE 7/8" (M7, M8, M9, M10, M11, M12, M13, M14, M15, M16)
0150M00010	BLADE-FAN 26" ALUM CCW (M22, M23)
CAP050300440CS	CAP,5/30MFD/440V/DUAL RD (M1, M2, M3)
CAP050350440CS	CAPACITOR 5/35/440V (M4, M5, M6)
CAP050400440CT	CAPACITOR 5/40/440V/DUAL RD (M7, M8, M9, M10)
CAP050450440CT	CAPACITOR 5/45/440V/DUAL RD (M11, M12, M13, M14, M15, M16, M17, M18, M19, M20, M21)
CAP050700440CT	CAPACITOR 5/70/440V/DUAL RD (M22, M23, M24, M25, M26, M27)
ZP14K5EPFV130	COMP, 14650,208/230/60/1 (M1, M2, M3)
ZP20K5EPFV130	COMP,20000,208/230/60/1 (M4, M5, M6)
ZP24K5EPFV130	COMP,24000,208/230/60/1 (M7, M8, M9, M10)
ZP29K5EPFV130	COMP,29000,208/230/60/1 (M11, M12, M13)
ZP34K5EPFV130	COMP,34500,208/230/60/1 (M14, M15, M16)
ZP36K5EPFV130	COMP,36200,208/230/60/1 (M17, M18, M19, M20, M21)
ZP44K5EPFV130	COMP,44400,280/230/60/1 (M22, M23)
ZP49K5EPFV130	COMP,49400,208/230/60/1 (M24, M25, M26, M27)
CONT1P030024V	CONT, 1 POLE, 30 AMP, 24 VAC
0131M00761	ECM MOTOR - PROGRAMMED (IGBT) (M22, M23)
0150M00008	FAN BLADE, 22" TNT2203-25 (M1, M2, M3, M4, M5, M6, M7, M8, M9, M10, M11, M12, M13)
0163R00003	HEATER, CRANKCASE 230V 40W (M22, M23)
0131M00061	MOTOR, 1/4HP, 1SP, 8PL (M17, M24)
0131M00968	MOTOR, 1/4HP, 1SP, 8PL, AL (M21, M27)
0131M00807	MOTOR, 1/4HP,1SP,8PL,AL (M18, M19, M20, M25, M26)
0131M00971	MOTOR, 1/6HP, 1SP, 8PL, AL (M3, M6, M9, M10, M13)
0131M00753	MOTOR, 1/6HP, 1SP, 8PL, AL (M1, M2, M4, M5, M7, M8, M11, M12, M14, M15, M16)
0130M00089	SW-CUTOUT HI PRESS (M10)

Expanded Model Nomenclature

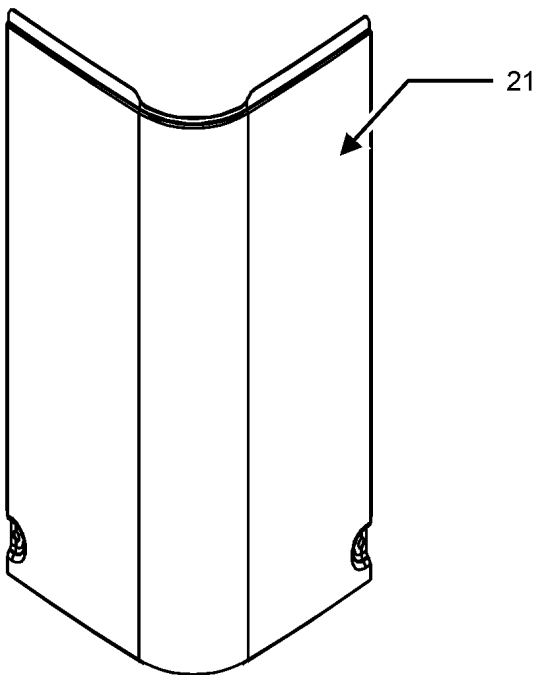
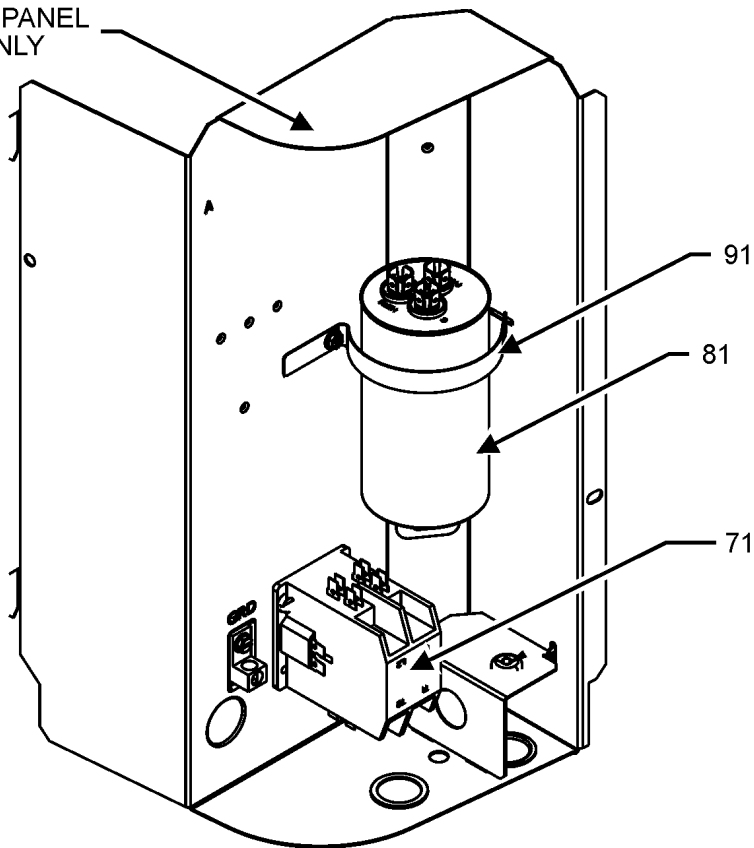
M1 - GSX160181FE
M2 - GSX160181FF
M3 - GSX160181FG
M4 - GSX160241FF
M5 - GSX160241FG
M6 - GSX160241FJ
M7 - GSX160301FF
M8 - GSX160301FG
M9 - GSX160301FH
M10 - GSX160311AE
M11 - GSX160361FE
M12 - GSX160361FF
M13 - GSX160361FG
M14 - GSX160421FE
M15 - GSX160421FF
M16 - GSX160421FG
M17 - GSX160481FE
M18 - GSX160481FF
M19 - GSX160481FG
M20 - GSX160481FH
M21 - GSX160481FJ
M22 - GSX160601FF
M23 - GSX160601FG
M24 - GSX160611FE
M25 - GSX160611FF
M26 - GSX160611FG
M27 - GSX160611FH

SPECIAL PARTS

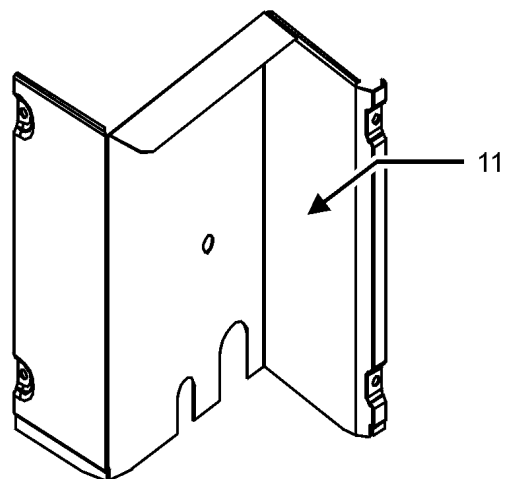
0161R00088	CAP, GRILL (M22, M23)
0161R00092	NAMEPLATE, GOODMAN

Control Box Assembly

CONTROL BOX PANEL
REFERENCE ONLY



UPPER ACCESS PANEL



LOWER ACCESS PANEL

Control Box Assembly

Ref. Part No:	Part No:	Description:	Ref. Part No:	Part No:	Description:
---------------	----------	--------------	---------------	----------	--------------

Image 1:

11	0121R00909PDG	PNL, LWR ACCESS (M10, M11, M12, M13, M17, M18, M19, M20, M21, M24, M25, M26, M27)
11	0121R00911PDG	PNL, LWR ACCESS (M22, M23)
11	0121R00912PDG	PNL, LWR ACCESS (M7, M8, M9, M14, M15, M16)
11	0121R00919PDG	PNL, LWR ACCESS (M1, M2, M3, M4, M5, M6)
21	0121R00937PDG	CONTROL COVER, PNT
71	CONT1P030024V	CONT, 1 POLE, 30 AMP, 24 VAC
81	CAP050300440CS	CAP,5/30MFD/440V/DUAL RD (M1, M2, M3)
81	CAP050350440CS	CAPACITOR 5/35/440V (M4, M5, M6)
81	CAP050400440CT	CAPACITOR 5/40/440V/DUAL RD (M7, M8, M9, M10)
81	CAP050450440CT	CAPACITOR 5/45/440V/DUAL RD (M11, M12, M13, M14, M15, M16, M17, M18, M19, M20, M21)
81	CAP050700440CT	CAPACITOR 5/70/440V/DUAL RD (M22, M23, M24, M25, M26, M27)
91	4400065	CAPACITOR STRAP
NS	0161R00092	NAMEPLATE, GOODMAN

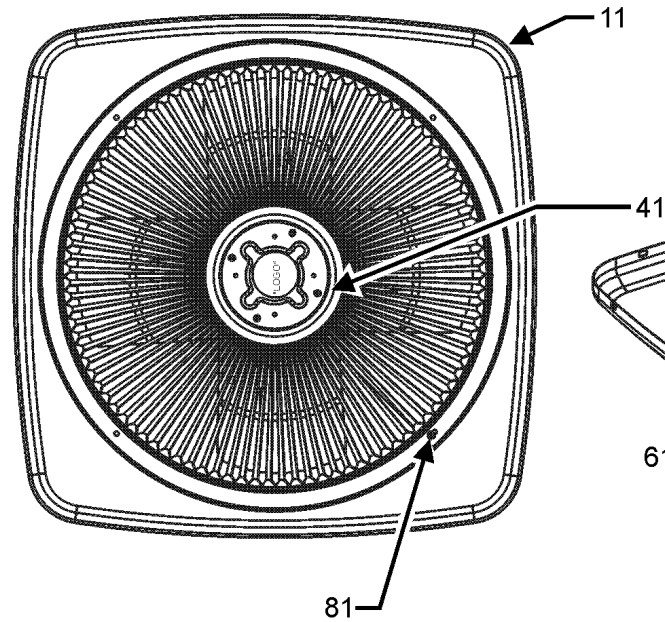
Expanded Model Nomenclature

- M1 - GSX160181FE
- M2 - GSX160181FF
- M3 - GSX160181FG
- M4 - GSX160241FF
- M5 - GSX160241FG
- M6 - GSX160241FJ
- M7 - GSX160301FF
- M8 - GSX160301FG
- M9 - GSX160301FH
- M10 - GSX160311AE
- M11 - GSX160361FE
- M12 - GSX160361FF
- M13 - GSX160361FG
- M14 - GSX160421FE
- M15 - GSX160421FF
- M16 - GSX160421FG
- M17 - GSX160481FE
- M18 - GSX160481FF
- M19 - GSX160481FG
- M20 - GSX160481FH
- M21 - GSX160481FJ
- M22 - GSX160601FF
- M23 - GSX160601FG
- M24 - GSX160611FE
- M25 - GSX160611FF
- M26 - GSX160611FG
- M27 - GSX160611FH

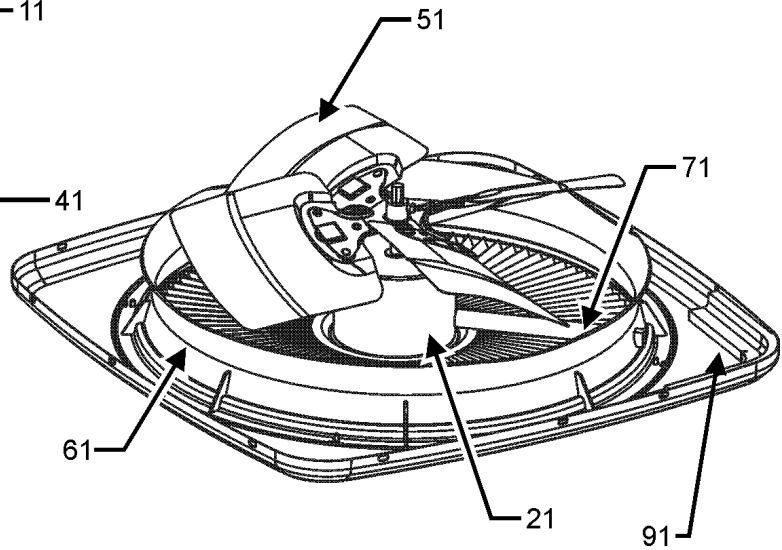
Cabinet Top and Side Panel Assy

TOP PANEL ASSEMBLY

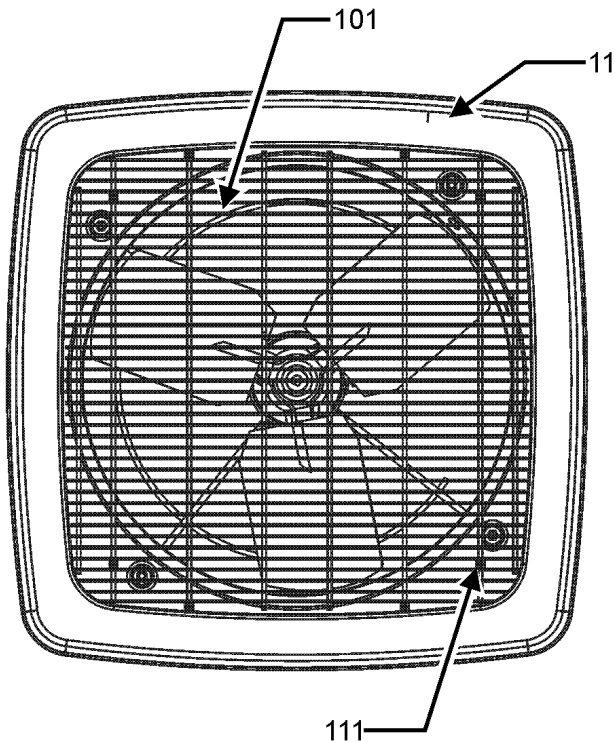
TOP VIEW



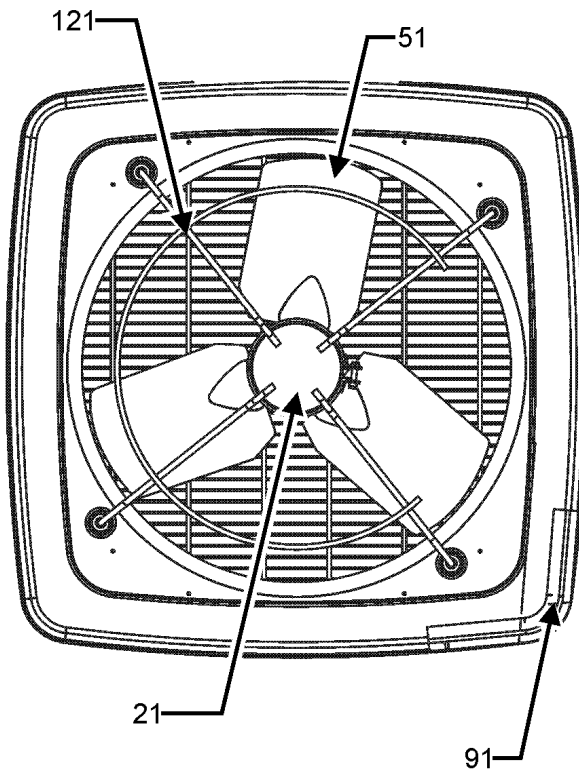
SIDE VIEW



TOP VIEW



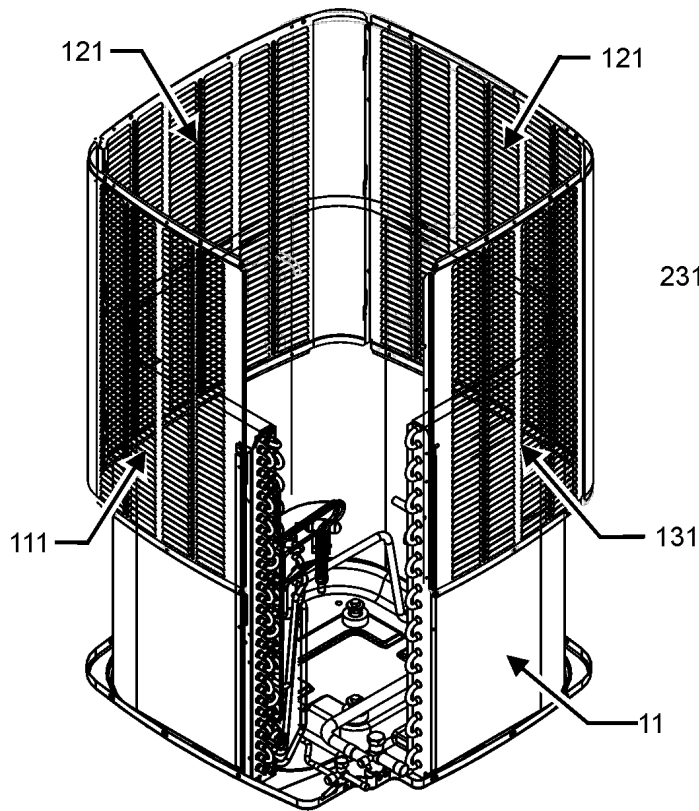
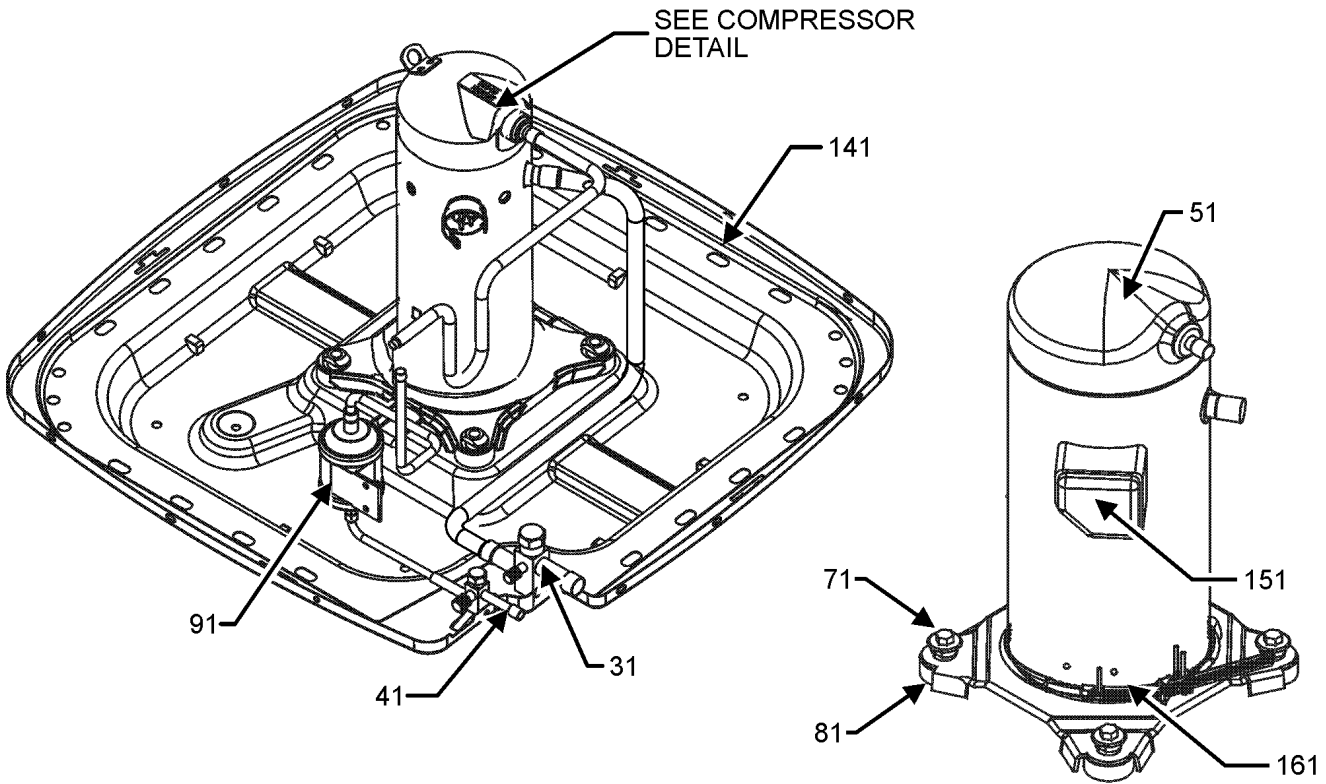
BOTTOM VIEW



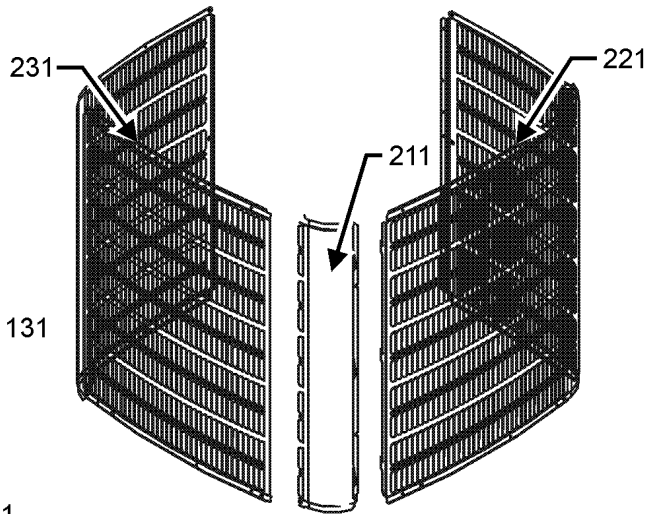
Cabinet Top and Side Panel Assy

Ref. Part No:	No:	Description:	Ref. Part No:	No:	Description:
Image 1:			Expanded Model Nomenclature		
11	0121R00010PDG	TOP PANEL 29" (M1, M2, M3, M4, M5, M6, M7, M8, M9, M10, M11, M12, M13)	M1	-	GSX160181FE
11	0121R00269PDG	Top Panel, 35" Pnt (M14, M15, M16, M17, M18, M19, M20, M21, M24, M25, M26, M27)	M2	-	GSX160181FF
11	0121R00013PDG	VENTURI TOP PANEL 35" (M22, M23)	M3	-	GSX160181FG
21	0131M00061	MOTOR, 1/4HP, 1SP, 8PL (M17, M24)	M4	-	GSX160241FF
21	0131M00968	MOTOR, 1/4HP, 1SP, 8PL, AL (M21, M27)	M5	-	GSX160241FG
21	0131M00753	MOTOR, 1/6HP, 1SP, 8PL, AL (M1, M2, M4, M5, M7, M8, M11, M12, M14, M15, M16)	M6	-	GSX160241FJ
21	0131M00761	ECM MOTOR - PROGRAMMED (IGBT) (M22, M23)	M7	-	GSX160301FF
21	0131M00807	MOTOR, 1/4HP, 1SP, 8PL, AL (M18, M19, M20, M25, M26)	M8	-	GSX160301FG
21	0131M00971	MOTOR, 1/6HP, 1SP, 8PL, AL (M3, M6, M9, M10, M13)	M9	-	GSX160301FH
41	0163M00006P	ACORN NUT 5/16 HEX BLACK (M1, M2, M3, M4, M5, M6, M7, M8, M9, M10, M11, M12, M13, M14, M15, M16, M17, M18, M19, M20, M21, M24, M25, M26, M27)	M10	-	GSX160311AE
51	0150M00010	BLADE-FAN 26" ALUM CCW (M22, M23)	M11	-	GSX160361FE
51	10625738	BLADE-FAN 26" ALUM CCW (M17, M24)	M12	-	GSX160361FF
51	0150M00008	FAN BLADE, 22" TNT2203-25 (M1, M2, M3, M4, M5, M6, M7, M8, M9, M10, M11, M12, M13)	M13	-	GSX160361FG
51	0150M00066	FAN BLADE, 26" (M14, M15, M16, M18, M19, M20, M21, M25, M26, M27)	M14	-	GSX160421FE
61	0161R00048	MOLDED RING-VENTURI 22 (M10)	M15	-	GSX160421FF
61	0161R00007P	RING, VENTURI 35" (M14, M15, M16, M17, M18, M19, M20, M21, M24, M25, M26, M27)	M16	-	GSX160421FG
61	0161L00000	RING-VENTURI 22 (M1, M2, M3, M4, M5, M6, M7, M8, M9, M11, M12, M13)	M17	-	GSX160481FE
71	0161R00002P	CONDUIT (M1, M2, M3, M4, M5, M6, M7, M8, M9, M10, M11, M12, M13)	M18	-	GSX160481FF
71	0161R00004P	CONDUIT (M14, M15, M16, M17, M18, M19, M20, M21, M24, M25, M26, M27)	M19	-	GSX160481FG
81	0163M00004	SCREW #10X3/4", BLACK (M1, M2, M3, M4, M5, M6, M7, M8, M9, M10, M11, M12, M13, M14, M15, M16, M17, M18, M19, M20, M21, M24, M25, M26, M27)	M20	-	GSX160481FH
91	0154R00045	GASKET, CONTROL PANEL	M21	-	GSX160481FJ
101	0152R00016	GRILLE, WIRE 35" TOP (M22, M23)	M22	-	GSX160601FF
111	0163M00003P	SCREW, #10 X 1/2, A, SLOT, SR, BLK (QTY 3)	M23	-	GSX160601FG
121	0121R00003	BRACKET, MOTOR MOUNT (M22, M23)	M24	-	GSX160611FE
NS	0161R00088	CAP, GRILL (M22, M23)	M25	-	GSX160611FF
NS	B1393024	LOCK NUT (M22, M23)	M26	-	GSX160611FG
NS	B1393804	NYLON LOCKNUT, .31 - 18 (M22, M23)	M27	-	GSX160611FH
NS	0163M00129	SCREW H2 .31 X 1.52 (M22, M23)			
NS	0163M00005P	WASHER, BLACK (.50 OD .218D) (M1, M2, M3, M4, M5, M6, M7, M8, M9, M10, M11, M12, M13, M14, M15, M16, M17, M18, M19, M20, M21, M24, M25, M26, M27)			

Compressor and Tubing Assembly



LOUVER PANEL ASSEMBLY
STYLE 1



LOUVER PANEL ASSEMBLY
STYLE 2

Compressor and Tubing Assembly

Ref. Part No:	Ref. Part No:	Description:	Description:		
Image 1:		Image 1:			
11	0201R00434	COIL TBG 36XL 5CR (M22, M23)	211	0121R00354PDG	Louver Post, PDG 36.30 (M10, M11, M12, M13)
11	0201R00296	COIL TUBING ASSEMBLY (M1, M2, M3, M4, M5,	221	0121R00342PDGGRS	Louver Panel, PDG 29" _28.73 (M1, M2, M3, M4, M5, M6)
11	0201R00236	COIL TUBING ASSY (M10, M11, M12, M13)	221	0121R00344PDGGRS	Louver Panel, PDG 29" _32.51 (M7, M8, M9)
11	0201R00311	COIL TUBING ASSY (M14, M15, M16)	221	0121R00346PDGGRS	Louver Panel, PDG 29" _36.30 (M10, M11, M12, M13)
11	0201R00315	COIL TUBING ASSY (M7, M8, M9)	231	0121R00342PDGLS	LOUVERED PANEL (M1, M2, M3, M4, M5, M6)
11	0201R00433	COIL TUBING ASSY (M17, M18, M19, M20, M21, M24, M25, M26, M27)	231	0121R00344PDGLS	LOUVERED PANEL (M7, M8, M9)
31	0151R00182	BALL VALVE 7/8" (M17, M18, M19, M20, M21, M22, M23, M24, M25, M26, M27)	231	0121R00346PDGLS	LOUVERED PANEL (M10, M11, M12, M13)
31	0151R00185	BASE VALVE 3/4" (M1, M2, M3, M4, M5, M6)	NS	B1789849	FLOW CHECK PISTON (M1, M2, M3)
31	0151R00186	BASE VALVE 7/8" (M7, M8, M9, M10, M11, M12, M13, M14, M15, M16)	NS	B1789857	FLOW CHECK PISTON KIT (M4, M5, M6)
41	0151R00187	BASE VALVE 3/8"	NS	B1789865	FLOW CHECK PISTON KIT (M7, M8, M9, M10)
51	ZP14K5EPFV130	COMP, 14650,208/230/60/1 (M1, M2, M3)	NS	B1789872	FLOW CHECK PISTON KIT (M11, M12, M13)
51	ZP20K5EPFV130	COMP,20000,208/230/60/1 (M4, M5, M6)	NS	B1789874	FLOW CHECK PISTON KIT (M14, M15, M16)
51	ZP24K5EPFV130	COMP,24000,208/230/60/1 (M7, M8, M9, M10)	NS	B1789878	FLOW CHECK PISTON KIT (M17, M18, M19, M20, M21)
51	ZP29K5EPFV130	COMP,29000,208/230/60/1 (M11, M12, M13)	NS	B1789886	FLOW CHECK PISTON KIT (M22, M23)
51	ZP34K5EPFV130	COMP,34500,208/230/60/1 (M14, M15, M16)	NS	B1789888	FLOW CHECK PISTON KIT (M24, M25, M26, M27)
51	ZP36K5EPFV130	COMP,36200,208/230/60/1 (M17, M18, M19, M20, M21)	NS	0130M00089	SW-CUTOUT HI PRESS (M10)
51	ZP44K5EPFV130	COMP,44400,280/230/60/1 (M22, M23)	Expanded Model Nomenclature		
51	ZP49K5EPFV130	COMP,49400,208/230/60/1 (M24, M25, M26, M27)	M1 - GSX160181FE		
71	M0221641	TF SHOULDER SCREW (QTY 4)	M2 - GSX160181FF		
81	B1339533	COMPRESSOR GROMMET (QTY 4)	M3 - GSX160181FG		
91	0162R00057	FILTER DRIER	M4 - GSX160241FF		
111	0121R00228PDG	PANEL 1, LOUVER 35, 5MM, PNT (M14, M15, M16)	M5 - GSX160241FG		
111	0121R00043PDG	PANEL 1, LOUVER 35_36.0 PNT (M22, M23)	M6 - GSX160241FJ		
111	0121R00229PDG	PANEL 1, LOUVER 35,37.8 5MM,PNT (M17, M18, M19, M20, M21, M24, M25, M26, M27)	M7 - GSX160301FF		
121	0121R00232PDG	PANEL 2, LOUVER 35 (M17, M18, M19, M20, M21, M24, M25, M26, M27)	M8 - GSX160301FG		
121	0121R00231PDG	PANEL 2, LOUVER 35, 5MM, PNT (M14, M15, M16)	M9 - GSX160301FH		
121	0121R00047PDG	PANEL 2, LOUVER 35_36.0 PNT (M22, M23)	M10 - GSX160311AE		
131	0121R00234PDG	LOUVERED SIDE PANEL [RT OF CNTL PNL] (M14, M15, M16)	M11 - GSX160361FE		
131	0121R00235PDG	LOUVERED SIDE PANEL [RT OF CNTL PNL] (M17, M18, M19, M20, M21, M24, M25, M26, M27)	M12 - GSX160361FF		
131	0121R00051PDG	PANEL 3, LOUVER 35_36.0 PNT (M22, M23)	M13 - GSX160361FG		
141	0121R00006PDG	BASE PAN 29" (M1, M2, M3, M4, M5, M6, M7, M8, M9, M10, M11, M12, M13)	M14 - GSX160421FE		
141	0121R00007PDG	BASE PAN 35" (M14, M15, M16, M17, M18, M19, M20, M21, M22, M23, M24, M25, M26, M27)	M15 - GSX160421FF		
151	0159R00020	HARNESS, COMP SCROLL (M2, M3, M6, M10, M12, M13)	M16 - GSX160421FG		
151	0159R00021	HARNESS, COMP SCROLL (M16)	M17 - GSX160481FE		
151	0159R00001P	HARNESS, COMP SCROLL 130 42" (M1, M4, M5, M7, M8, M9, M11)	M18 - GSX160481FF		
151	0159R00002P	HARNESS, COMP SCROLL 130 46" (M14, M15, M17, M18, M19, M20, M21)	M19 - GSX160481FG		
151	0159R00017	HARNESS, COMP-SCROLL (M22, M23, M24, M25, M26, M27)	M20 - GSX160481FH		
161	0163R00003	HEATER, CRANKCASE 230V 40W (M22, M23)	M21 - GSX160481FJ		
211	0121R00350PDG	Louver Post, PDG 28.73 (M1, M2, M3, M4, M5, M6)	M22 - GSX160601FF		
211	0121R00352PDG	Louver Post, PDG 32.51 (M7, M8, M9)	M23 - GSX160601FG		
			M24 - GSX160611FE		
			M25 - GSX160611FF		
			M26 - GSX160611FG		
			M27 - GSX160611FH		