

---

**GSX14 Remote Condensing Unit**

GSX140181LB  
GSX140181LC  
GSX140181MA  
GSX140191KC  
GSX140241LC  
GSX140241LD  
GSX140251LB  
GSX140301KC  
GSX140301LA  
GSX140301LB  
GSX140301NA  
GSX140301NC  
GSX140301ND  
GSX140301NE  
GSX140311KC  
GSX140361KD  
GSX140361KE  
GSX140361KF  
GSX140361KH  
GSX140371KD  
GSX140421KD  
GSX140421KE  
GSX140431KD  
GSX140481KC  
GSX140481KD  
GSX140601KC  
GSX140601KD



This manual is to be used by qualified technicians only.

This manual replaces RP-G4302G.

© 2016 - 2017, 2019, 2021 - 2022 Goodman Manufacturing Company, L.P. ♦ 5151 San Felipe St, Suite 500 ♦ Houston, TX 77056

# Important Information

---

## Index

Functional Parts List .....	3
Illustration and Parts .....	4 - 9

*Views shown are for parts illustrations only, not servicing procedures.*

### Text Codes:

AR - As Required

NA - Not Available

NS - Not Shown

00000000 - See Note

QTY - Quantity Example (QTY 3) (If Quantity not shown, Quantity = 1)

M - Model Example (M1) (If M Code not shown, then part is used on all Models)

### Expanded Model Nomenclature:

Example M1 - Model#1 M2 - Model#2 M3 - Model#3
---

Goodman Manufacturing Company, L.P. is not responsible for personal injury or property damage resulting from improper service. Review all service information before beginning repairs.

Warranty service must be performed by an authorized technician, using authorized factory parts. If service is required after the warranty expires, Goodman Manufacturing Company, L.P. also recommends contacting an authorized technician and using authorized factory parts.

Goodman Manufacturing Company, L.P. reserves the right to discontinue, or change at any time, specifications or designs without notice or without incurring obligations.

For assistance within the U.S.A. contact:  
Homeowner Support  
Goodman Manufacturing Company, L.P.  
19001 Kermier Road  
Waller, Texas 77484  
877-254-4729-Telephone  
713-863-2382-Facsimile

For assistance outside the U.S.A. contact:  
International Division  
Goodman Manufacturing Company, L.P.  
19001 Kermier Road  
Waller, Texas 77484  
713-861-2500-Telephone  
713-863-2382-Facsimile

# Functional Parts

## Part

### No: Description:

50N382YV-5AKM	1.5T RECHI COMPRESSOR (3-LEGS) (M3)
50N382YV-ZAKM	1.5T RECHI COMPRESSOR (4-LEGS) (M1,
0131M00266	1/8 HP 8 PL PSC MOTOR (M1, M6)
0131M00811	1/8 HP 8 PL PSC MOTOR (M2, M4, M5, M7)
50N492ZV-ZAKM	2.0TONRECHI COMPR.4 LEGS (M5, M6)
50N6229V-ZAKM	2.5 TON RECHI COMPR. 4 LEGS (M9, M10)
0151R00185	BASE VALVE 3/4" (M1, M2, M3, M4, M5, M6, M7, M8, M9, M10, M11, M12, M13, M14, M15, M16, M17, M18, M19, M20)
0151R00187	BASE VALVE 3/8"
0151R00186	BASE VALVE 7/8" (M21, M22, M23, M24, M25, M26, M27)
0150M00012	BLADE-FAN 20" CCW (M1, M2, M4, M5, M6, M7)
CAP050350440CS	CAP, 5/35 MFD/440V/DUAL RD (M1, M2, M3, M7)
CAP050400440CT	CAP, 5/40 MFD/440V/DUAL RD (M8, M11, M12, M13, M14, M15)
CAP050450440CT	CAP, 5/45 MFD/440V/DUAL RD (M5, M6, M16, M17, M18, M19, M20, M21, M22, M23, M24, M25)
CAP050500440CT	CAP, 5/50 MFD/440V/DUAL RD (M9, M10)
CAP050700440CT	CAP, 5/70 MFD/440V/DUAL RD (M26, M27)
CAP050300440CS	CAP,5/30MFD/440V/DUAL RD (M4)
ZP14K6EPFV120	COMP, 20200, 208/230/60/1 (M4)
ZP24K6EPFV120	COMP, 32500, 208/230/60/1 (M15)
ZP29K6EPFV120	COMP, 39700, 208/230/60/1 (M18, M20)
ZP20K5EPFV130	COMP,20000,208/230/60/1 (M7)
ZP24K5EPFV130	COMP,24000,208/230/60/1 (M8)
ZP29K5EPFV130	COMP,29000,208/230/60/1 (M16, M17)
ZP31K5EPFV130	COMP,31100,208/230/60/1 (M21, M22, M23)
ZP38K5EPFV130	COMP,37500,208/230/60/1 (M24, M25)
ZP49K5EPFV130	COMP,49400,208/230/60/1 (M26, M27)
5VS250FAC21	COMPRESSOR, PANASONIC (M14)
5VS250FAA21	COMPRESSOR, PANASONIC (M11)
5VS250FAB21	COMPRESSOR, PANASONIC (M12, M13)
CONT1P030024V	CONTACTOR 30 AMP, 1P, 24V
0130M00178	DPDT RELAY 24VAC (M9, M10)
0150M00030	FAN BLADE, 18" (M3)
0150M00008	FAN BLADE, 22" TNT2203-25 (M8, M9, M10, M11, M12, M13, M14, M15, M16, M17, M18, M19, M20, M21, M22, M23)
0150M00066	FAN BLADE, 26" (M24, M25, M26, M27)
0163R00002	HEATER, CRANKCASE 230V, 40W (M9, M10)
APG029KAC	LG COMP, 39600,208-230/60/1 (M19)
0131M00807	MOTOR, 1/4HP,1SP,8PL,AL (M24, M25, M26, M27)
0131M00753	MOTOR, 1/6HP, 1SP, 8PL, AL (M8, M9, M10, M11, M15, M16, M17, M18, M20, M21, M22, M23)
0131M00971	MOTOR, 1/6HP, 1SP, 8PL, AL (M12, M13, M14, M19)
0131M00593	MOTOR, 1/8 HP, ISP, 6PL, AL (M3)
0130M00441	RELAY, HARD START (M13)
0130M00089	SW-CUTOUT HI PRESS (M1, M2, M3, M5, M6, M9, M10, M11, M12, M13, M14)

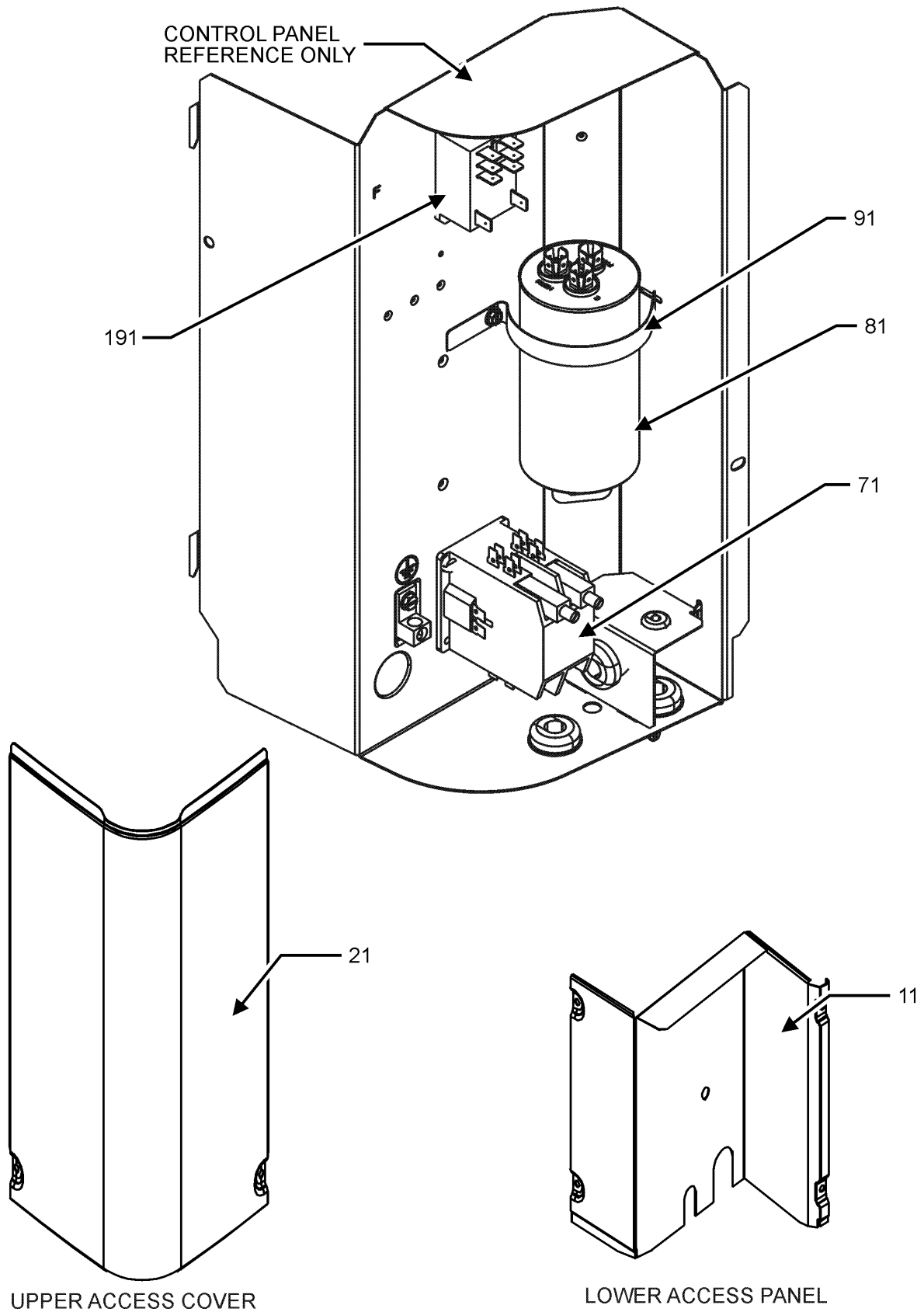
0161R00092 NAMEPLATE, GOODMAN

### Expanded Model Nomenclature

M1 - GSX140181LB
M2 - GSX140181LC
M3 - GSX140181MA
M4 - GSX140191KC
M5 - GSX140241LC
M6 - GSX140241LD
M7 - GSX140251LB
M8 - GSX140301KC
M9 - GSX140301LA
M10 - GSX140301LB
M11 - GSX140301NA
M12 - GSX140301NC
M13 - GSX140301ND
M14 - GSX140301NE
M15 - GSX140311KC
M16 - GSX140361KD
M17 - GSX140361KE
M18 - GSX140361KF
M19 - GSX140361KH
M20 - GSX140371KD
M21 - GSX140421KD
M22 - GSX140421KE
M23 - GSX140431KD
M24 - GSX140481KC
M25 - GSX140481KD
M26 - GSX140601KC
M27 - GSX140601KD

### SPECIAL PARTS

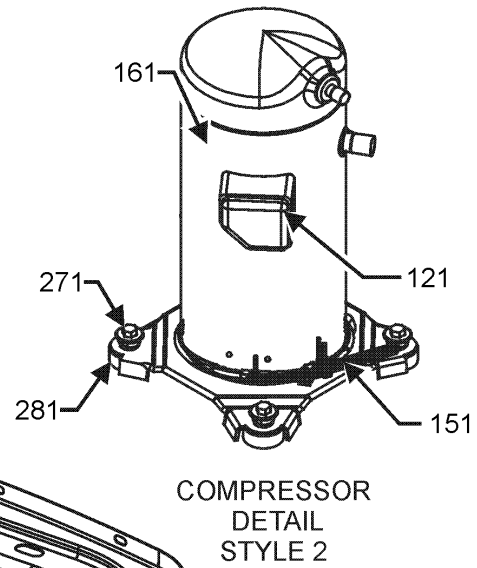
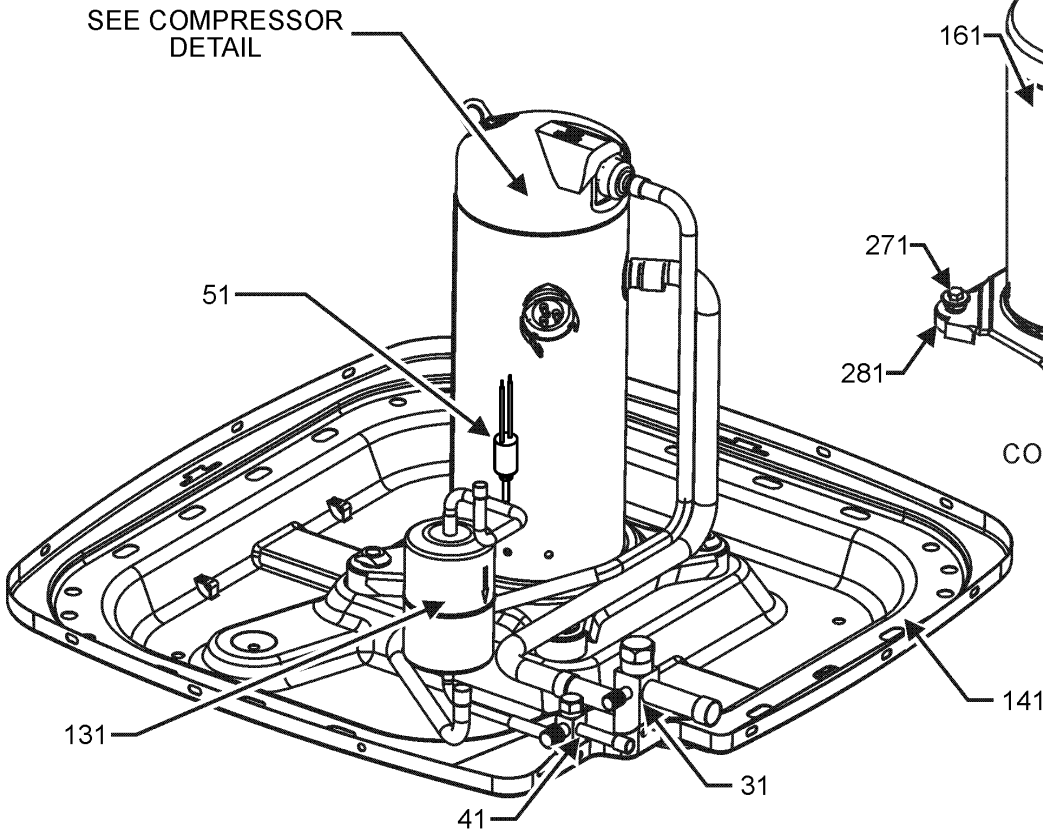
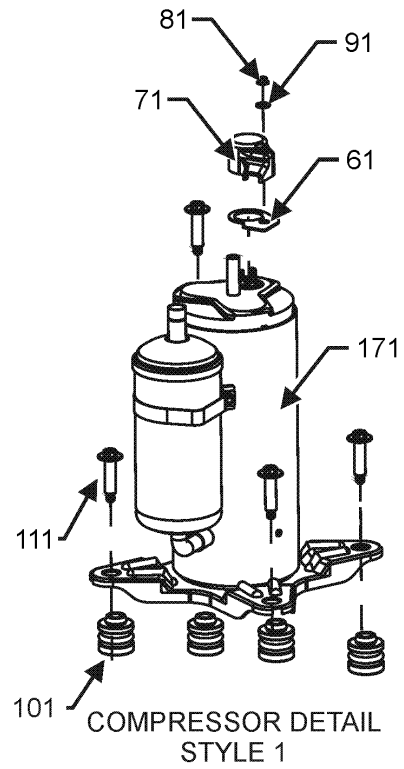
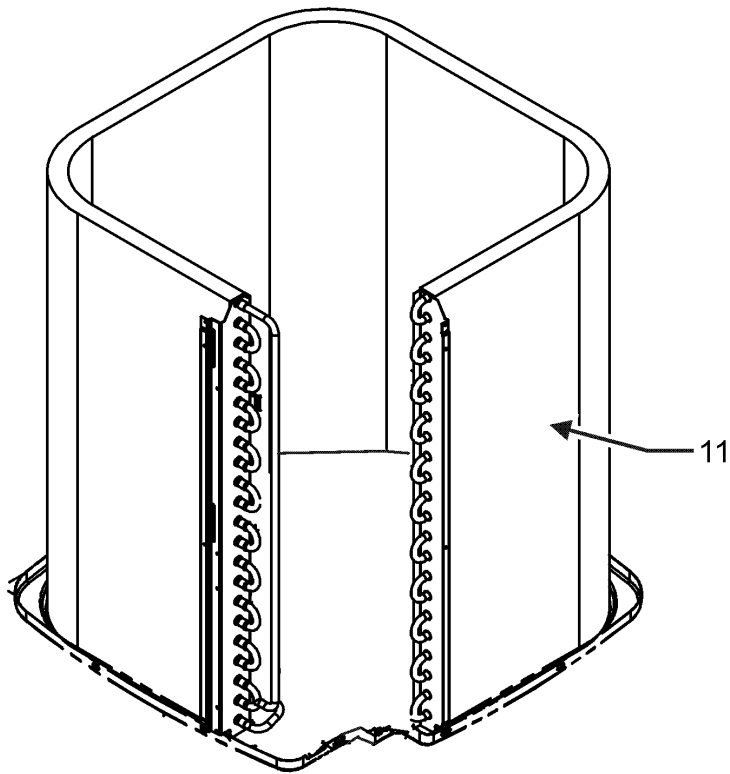
# Control Panel Assembly



# Control Panel Assembly

Ref. Part No:	No:	Description:	Ref. Part No:	No:	Description:
<b>Image 1:</b>			<b>Expanded Model Nomenclature</b>		
11	0121R00319PDG	PANEL, LOWER ACCESS PNT (M9, M10)	M1	-	GSX140181LB
11	0121R00265PDG	PANEL, LOWER ACCESS 23_25.2 PNT (M3)	M2	-	GSX140181LC
11	0121R00909PDG	PNL, LWR ACCESS (M26, M27)	M3	-	GSX140181MA
11	0121R00912PDG	PNL, LWR ACCESS (M21, M22, M23, M24, M25)	M4	-	GSX140191KC
11	0121R00915PDG	PNL, LWR ACCESS (M1, M2, M4, M5, M6)	M5	-	GSX140241LC
11	0121R00919PDG	PNL, LWR ACCESS (M7, M8, M11, M12, M13, M14, M15, M16, M17, M18, M19, M20)	M6	-	GSX140241LD
21	0121R00937PDG	CONTROL COVER, PNT (M1, M2, M4, M5, M6, M7, M8, M9, M10, M11, M12, M13, M14, M15, M16, M17, M18, M19, M20, M21, M22, M23, M24, M25, M26, M27)	M7	-	GSX140251LB
21	0121R00268PDG	COVER, CONTROL, PNT DG (M3)	M8	-	GSX140301KC
71	CONT1P030024V	CONTACTOR 30 AMP, 1P, 24V	M9	-	GSX140301LA
81	CAP050350440CS	CAP, 5/35 MFD/440V/DUAL RD (M1, M2, M3, M7)	M10	-	GSX140301LB
81	CAP050400440CT	CAP, 5/40 MFD/440V/DUAL RD (M8, M11, M12, M13, M14, M15)	M11	-	GSX140301NA
81	CAP050450440CT	CAP, 5/45 MFD/440V/DUAL RD (M5, M6, M16, M17, M18, M19, M20, M21, M22, M23, M24, M25)	M12	-	GSX140301NC
81	CAP050500440CT	CAP, 5/50 MFD/440V/DUAL RD (M9, M10)	M13	-	GSX140301ND
81	CAP050700440CT	CAP, 5/70 MFD/440V/DUAL RD (M26, M27)	M14	-	GSX140301NE
81	CAP050300440CS	CAP, 5/30MFD/440V/DUAL RD (M4)	M15	-	GSX140311KC
91	4400065	CAPACITOR STRAP	M16	-	GSX140361KD
191	0130M00178	DPDT RELAY 24VAC (M9, M10)	M17	-	GSX140361KE
NS	0161R00092	NAMEPLATE, GOODMAN	M18	-	GSX140361KF
NS	0130M00441	RELAY, HARD START (M13)	M19	-	GSX140361KH
			M20	-	GSX140371KD
			M21	-	GSX140421KD
			M22	-	GSX140421KE
			M23	-	GSX140431KD
			M24	-	GSX140481KC
			M25	-	GSX140481KD
			M26	-	GSX140601KC
			M27	-	GSX140601KD

# Compressor and Tubing Assembly



ACTUAL TUBING ASSEMBLY MAY DIFFER FROM WHAT IS SHOWN

# Compressor and Tubing Assembly

Ref. Part No:	Ref. Part No:	Description:	Description:
<b>Image 1:</b>		<b>Image 1:</b>	
11	0201R00230	COIL TUBING ASSY (M8)	141 0121R00272PDG BASE PAN, 23", PNT DG (M3)
11	0201R00279	COIL TUBING ASSY (M16, M17)	151 0163R00002 HEATER, CRANKCASE 230V, 40W (M9, M10)
11	0201R00296	COIL TUBING ASSY (M11, M12, M13, M14, M15, M18, M19, M20)	161 ZP14K6EPFV120 COMP, 20200, 208/230/60/1 (M4)
11	0201R00385	COIL TUBING ASSY (M24, M25)	161 ZP24K6EPFV120 COMP, 32500, 208/230/60/1 (M15)
11	0201R00433	COIL TUBING ASSY (M26, M27)	161 ZP29K6EPFV120 COMP, 39700, 208/230/60/1 (M18, M20)
11	0201R00458	COIL TUBING ASSY (M1, M2, M4, M5, M6)	161 ZP20K5EPFV130 COMP, 20000, 208/230/60/1 (M7)
11	0201R00566	COIL TUBING ASSY (M9, M10, M21, M22, M23)	161 ZP24K5EPFV130 COMP, 24000, 208/230/60/1 (M8)
11	0201R00666	COIL TUBING ASSY (M7)	161 ZP29K5EPFV130 COMP, 29000, 208/230/60/1 (M16, M17)
11	0201R00683	COIL TUBING ASSY (M3)	161 ZP31K5EPFV130 COMP, 31100, 208/230/60/1 (M21, M22, M23)
31	0151R00185	BASE VALVE 3/4" (M1, M2, M3, M4, M5, M6, M7, M8, M9, M10, M11, M12, M13, M14, M15, M16, M17, M18, M19, M20)	161 ZP38K5EPFV130 COMP, 37500, 208/230/60/1 (M24, M25)
31	0151R00186	BASE VALVE 7/8" (M21, M22, M23, M24, M25, M26, M27)	161 ZP49K5EPFV130 COMP, 49400, 208/230/60/1 (M26, M27)
41	0151R00187	BASE VALVE 3/8"	171 50N382YV-5AKM 1.5T RECHI COMPRESSOR (3-LEGS) (M3)
51	0130M00089	SW-CUTOUT HI PRESS (M1, M2, M3, M5, M6, M9, M10, M11, M12, M13, M14)	171 50N382YV-ZAKM 1.5T RECHI COMPRESSOR (4-LEGS) (M1, M2)
61	0154M00003	GASKET, TERM COVER (M11, M12, M13, M14)	171 50N492ZV-ZAKM 2.0TONRECHI COMPR. 4 LEGS (M5, M6)
61	60100107	TERMINAL COVER GASKET (M1, M2, M3, M5, M6, M9, M10)	171 50N6229V-ZAKM 2.5 TON RECHI COMPR. 4 LEGS (M9, M10)
71	0130M00028	TERMINAL COVER (M11, M12, M13, M14)	171 5VS250FAA21 COMPRESSOR, PANASONIC (M11)
71	60100317	TERMINAL COVER (M1, M2, M3, M5, M6, M9, M10)	171 5VS250FAB21 COMPRESSOR, PANASONIC (M12, M13)
81	0163M00468	TERMINAL COVER NUT (M11, M12, M13, M14)	171 5VS250FAC21 COMPRESSOR, PANASONIC (M14)
81	60100401	TERMINAL NUT - RECHI COMP (M1, M2, M3, M5, M6, M9, M10)	171 APG029KAC LG COMP, 39600, 208-230/60/1 (M19)
91	0154M00078	TERMINAL COVER NUT GASKET (M11, M12, M13, M14)	271 M0221641 TF SHOULDER SCREW (M18, M20)
91	60100201	WASHER - RECHI COMPRESSOR (M1, M2, M3, M5, M6, M9, M10)	281 B1339533 COMPRESSOR GROMMET (M18, M20)
101	60140209	GROMMET - RECHI COMPRESSOR (M1, M2, M3, M5, M6, M9, M10)	NS 0160M00036 COMPRESSOR BLANKET (M9, M10, M11)
101	0164M00000P	GROMMET, COMP, PANASONIC (M11, M12, M13, M14)	NS B1789851 FLOW CHECK PISTON KIT (M1, M2, M3)
111	0163M00186	SCREW-SHOULDER TF (M1, M2, M3, M5, M6, M9, M10)	NS B1789853 FLOW CHECK PISTON KIT (M4)
111	0163M00502	SCREW-SHOULDER TF BLUE (M11, M12, M13, M14)	NS B1789857 FLOW CHECK PISTON KIT (M5, M6)
121	0159R00019	HARNESS, COMP SCROLL (M4, M7, M18, M20)	NS B1789863 FLOW CHECK PISTON KIT (M15)
121	0159R00020	HARNESS, COMP SCROLL (M8, M15, M16, M21, M23)	NS B1789865 FLOW CHECK PISTON KIT (M8)
121	0159R00021	HARNESS, COMP SCROLL (M25)	NS B1789867 FLOW CHECK PISTON KIT (M9, M10, M11, M12, M13, M14)
121	0159R00001P	HARNESS, COMP SCROLL 130 42" (M17, M22)	NS B1789868 FLOW CHECK PISTON KIT (M16, M17, M18, M19)
121	0159R00002P	HARNESS, COMP SCROLL 130 46" (M24, M26, M27)	NS B1789872 FLOW CHECK PISTON KIT (M20)
121	0159R00022	HARNESS, COMP SCROLL 42" (M19)	NS B1789874 FLOW CHECK PISTON KIT (M21, M22, M23)
131	0162R00009	DRIER - FILTER (M24)	NS B1789878 FLOW CHECK PISTON KIT (M24, M25)
131	0162R00057	FILTER DRIER (M1, M2, M3, M4, M5, M6, M7, M8, M9, M10, M11, M12, M13, M14, M15, M16, M17, M18, M19, M20, M21, M22, M23, M25, M26, M27)	NS B1789888 FLOW CHECK PISTON KIT (M26, M27)
141	0121R00005PDG	BASE PAN 26" (M1, M2, M4, M5, M6, M7)	NS B1789859 KIT, FLOW CHECK PISTON (M7)
141	0121R00006PDG	BASE PAN 29" (M8, M9, M10, M11, M12, M13, M14, M15, M16, M17, M18, M19, M20, M21, M22, M23)	
141	0121R00007PDG	BASE PAN 35" (M24, M25, M26, M27)	

# Compressor and Tubing Assembly

Ref. Part

No: No:

Description:

Ref. Part

No: No:

Description:

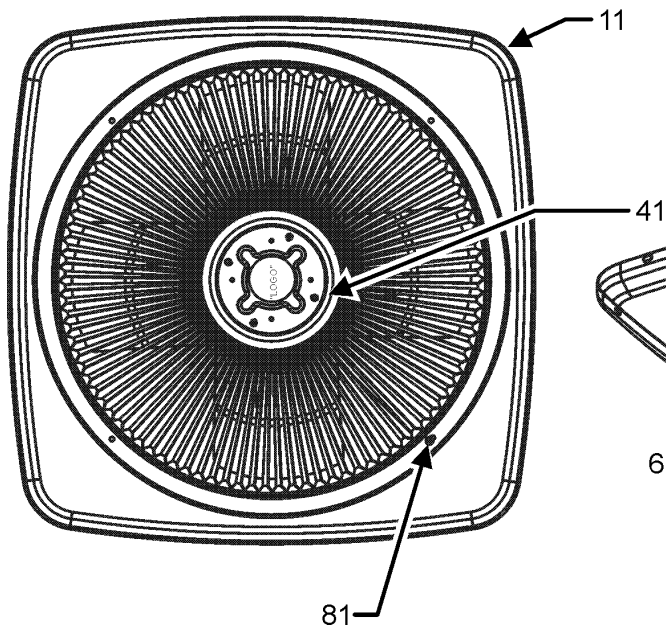
---

## Expanded Model Nomenclature

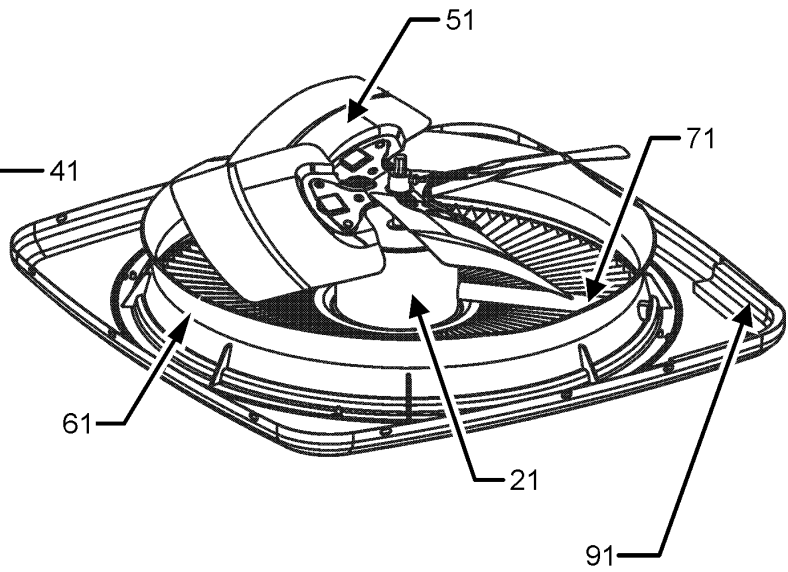
M1 - GSX140181LB  
M2 - GSX140181LC  
M3 - GSX140181MA  
M4 - GSX140191KC  
M5 - GSX140241LC  
M6 - GSX140241LD  
M7 - GSX140251LB  
M8 - GSX140301KC  
M9 - GSX140301LA  
M10 - GSX140301LB  
M11 - GSX140301NA  
M12 - GSX140301NC  
M13 - GSX140301ND  
M14 - GSX140301NE  
M15 - GSX140311KC  
M16 - GSX140361KD  
M17 - GSX140361KE  
M18 - GSX140361KF  
M19 - GSX140361KH  
M20 - GSX140371KD  
M21 - GSX140421KD  
M22 - GSX140421KE  
M23 - GSX140431KD  
M24 - GSX140481KC  
M25 - GSX140481KD  
M26 - GSX140601KC  
M27 - GSX140601KD

# Top and Louver Panel Assembly

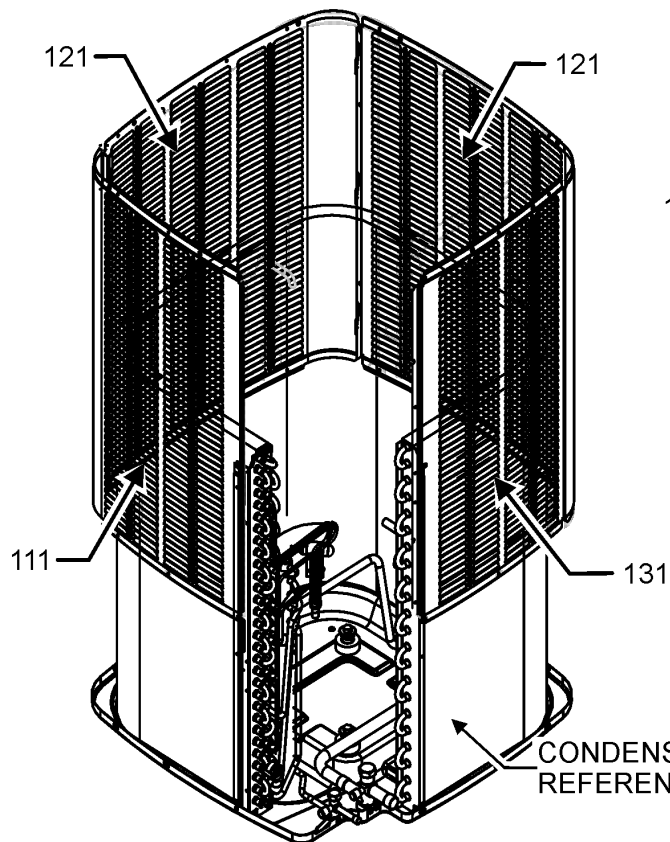
TOP PANEL ASSEMBLY  
TOP VIEW



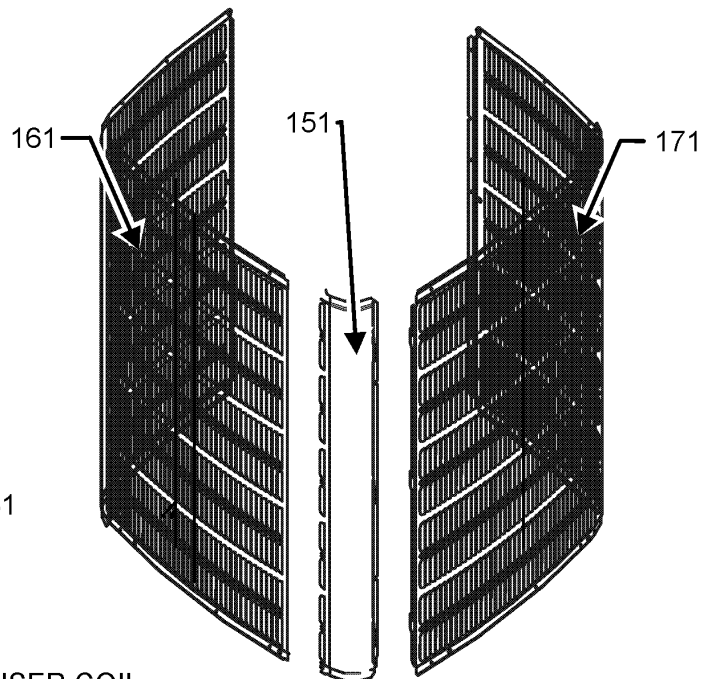
TOP PANEL ASSEMBLY  
BOTTOM VIEW



LOUVER PANEL ASSEMBLY STYLE 1



LOUVER PANEL ASSEMBLY STYLE 2



# Top and Louver Panel Assembly

Ref. Part No:	Ref. Part No:	Description:	Description:
<b>Image 1:</b>		<b>Image 1:</b>	
11	0121R00270PDG	PANEL, TOP, PNT DG (M3)	171 0121R00337PDGRS Louver Panel, PDG 26" _28.73 (M7)
11	0121R00008PDG	TOP PANEL 26" (M1, M2, M4, M5, M6, M7)	171 0121R00342PDGRS Louver Panel, PDG 29" _28.73 (M8, M11, M12, M13, M14, M15, M16, M17, M18, M19, M20)
11	0121R00010PDG	TOP PANEL 29" (M8, M9, M10, M11, M12, M13, M14, M15, M16, M17, M18, M19, M20, M21, M22, M23)	171 0121R00344PDGRS Louver Panel, PDG 29" _32.51 (M9, M10, M21, M22, M23)
11	0121R00269PDG	Top Panel, 35" Pnt (M24, M25, M26, M27)	171 0121R00274PDGRS PANEL, LOUVER 23_25.2, PNT DG (M3)
21	0131M00266	1/8 HP 8 PL PSC MOTOR (M1, M6)	NS 0121R00297 RAIN SHEILD (M3)
21	0131M00811	1/8 HP 8 PL PSC MOTOR (M2, M4, M5, M7)	NS 0163M00005P WASHER, BLACK (.50 OD .218D) (QTY 4)
21	0131M00807	MOTOR, 1/4HP,1SP,8PL,AL (M24, M25, M26, M27)	
21	0131M00753	MOTOR, 1/6HP, 1SP, 8PL, AL (M8, M9, M10, M11, M15, M16, M17, M18, M20, M21, M22, M23)	
21	0131M00971	MOTOR, 1/6HP, 1SP, 8PL, AL (M12, M13, M14, M19)	
21	0131M00593	MOTOR, 1/8 HP, 1SP, 6PL, AL (M3)	
41	0163M00006P	ACORN NUT 5/16 HEX BLACK (QTY 4)	
51	0150M00012	BLADE-FAN 20" CCW (M1, M2, M4, M5, M6, M7)	
51	0150M00030	FAN BLADE, 18" (M3)	
51	0150M00008	FAN BLADE, 22" TNT2203-25 (M8, M9, M10, M11, M12, M13, M14, M15, M16, M17, M18, M19, M20, M21, M22, M23)	
51	0150M00066	FAN BLADE, 26" (M24, M25, M26, M27)	
61	0161R00048	MOLDED RING-VENTURI 22 (M16)	
61	0161R00007P	RING, VENTURI 35" (M24, M25)	
61	0161L00000	RING-VENTURI 22 (M8, M9, M10, M11, M12, M13, M14, M15, M17, M18, M19, M20, M21, M22, M23)	
71	0161R00001P	CONDUIT (M1, M2, M4, M5, M6, M7)	
71	0161R00002P	CONDUIT (M8, M9, M10, M11, M12, M13, M14, M15, M16, M17, M18, M19, M20, M21, M22, M23)	
71	0161R00004P	CONDUIT (M24, M25)	
71	0161R00005P	CONDUIT (M26, M27)	
71	0161R00032	conduit (M3)	
81	0163M00003P	SCREW,#10 X 1/2,A,SLOT,SR,BLK (M1, M2, M3, M4, M5, M6, M7)	
81	0163M00004	SCREW,#10X3/4",BLK (M8, M9, M10, M11, M12, M13, M14, M15, M16, M17, M18, M19, M20, M21, M22, M23, M24, M25, M26, M27)	
91	0154R00045	GASKET, CONTROL PANEL	
111	0121R00228PDG	PANEL 1, LOUVER 35, 5MM, PNT (M24, M25)	
111	0121R00229PDG	PANEL 1,LOUVER 35,37.8 5MM,PNT (M26, M27)	
121	0121R00232PDG	PANEL 2, LOUVER 35 (M26, M27)	
121	0121R00231PDG	PANEL 2, LOUVER 35, 5MM, PNT (M24, M25)	
131	0121R00235PDG	PANEL 3, LOUVER 35, 37.8 (M26, M27)	
131	0121R00234PDG	PANEL 3, LOUVER 35, 5MM, PNT (M24, M25)	
151	0121R00347PDG	Louver Post, PDG 23.73 (M1, M2, M4, M5, M6)	
151	0121R00350PDG	Louver Post, PDG 28.73 (M7, M8, M11, M12, M13, M14, M15, M16, M17, M18, M19, M20)	
151	0121R00352PDG	Louver Post, PDG 32.51 (M9, M10, M21, M22, M23)	
151	0121R00280PDG	POST, LOUVER 23_25.2, PNT DG (M3)	
161	0121R00336PDGLS	Louver Panel, PDG 26" _23.73 (M1, M2, M4, M5, M6)	
161	0121R00337PDGLS	Louver Panel, PDG 26" _28.73 (M7)	
161	0121R00342PDGLS	Louver Panel, PDG 29" _28.73 (M8, M11, M12, M13, M14, M15, M16, M17, M18, M19, M20)	
161	0121R00344PDGLS	Louver Panel, PDG 29" _32.51 (M9, M10, M21, M22, M23)	
161	0121R00274PDGLS	PANEL, LOUVER 23_25.2, PNT DG (M3)	
171	0121R00336PDGRS	Louver Panel, PDG 26" _23.73 (M1, M2, M4, M5, M6)	

**Expanded Model Nomenclature**

M1 - GSX140181LB
M2 - GSX140181LC
M3 - GSX140181MA
M4 - GSX140191KC
M5 - GSX140241LC
M6 - GSX140241LD
M7 - GSX140251LB
M8 - GSX140301KC
M9 - GSX140301LA
M10 - GSX140301LB
M11 - GSX140301NA
M12 - GSX140301NC
M13 - GSX140301ND
M14 - GSX140301NE
M15 - GSX140311KC
M16 - GSX140361KD
M17 - GSX140361KE
M18 - GSX140361KF
M19 - GSX140361KH
M20 - GSX140371KD
M21 - GSX140421KD
M22 - GSX140421KE
M23 - GSX140431KD
M24 - GSX140481KC
M25 - GSX140481KD
M26 - GSX140601KC
M27 - GSX140601KD