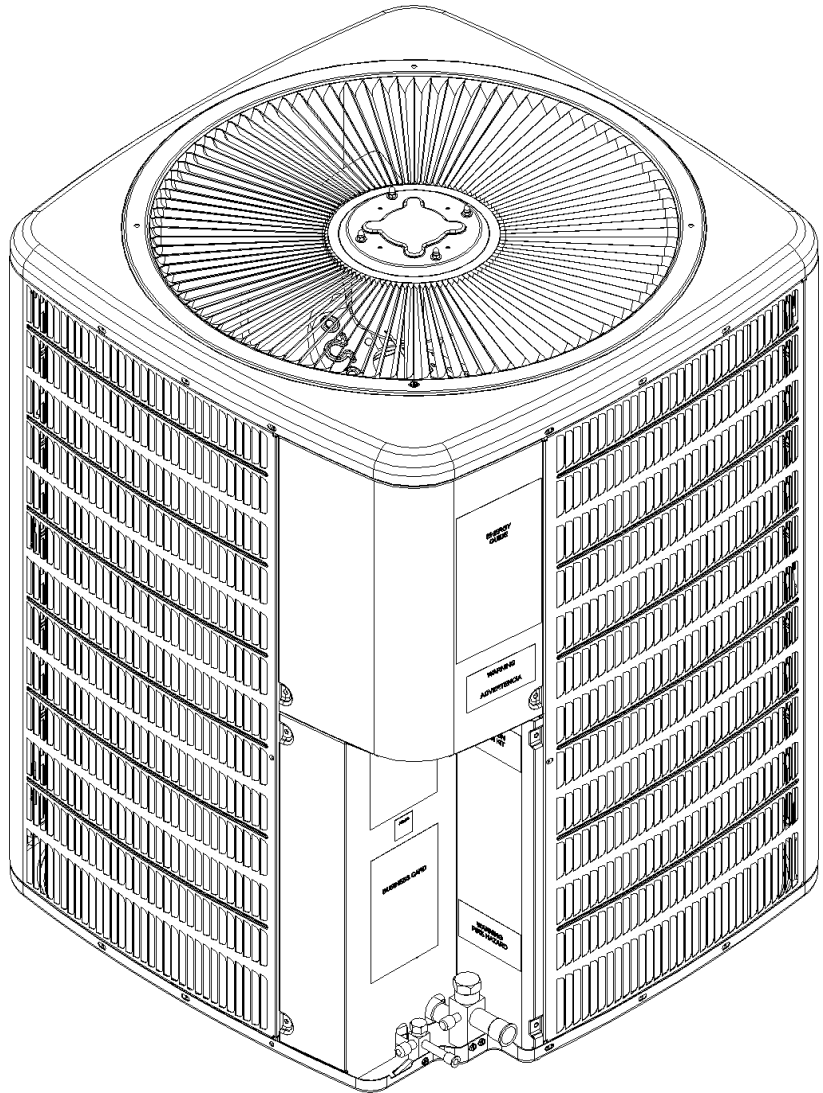


**GSX13 Remote Condensing Unit**

GSX130181EC  
GSX130181ED  
GSX130181EF  
GSX130241DB  
GSX130242AB  
GSX130301BB  
GSX130301BC  
GSX130301BD  
GSX130361CA  
GSX130361EA  
GSX130361EB  
GSX130361EC  
GSX130362AB  
GSX130363AB  
GSX130363AC  
GSX130365AB  
GSX130421BC  
GSX130421BD  
GSX130481BC  
GSX130481BD  
GSX130483AC  
GSX130483AD  
GSX130484AB  
GSX130484AC  
GSX130485AB  
GSX130601BB  
GSX130601BC  
GSX130605AB  
GSX130611AB  
GSX130613AB  
GSX130614AB



This manual is to be used by qualified technicians only.

This manual replaces RP-716F.

# Important Information

---

## Index

Functional Parts List .....	3
Illustration and Parts .....	4 - 9

*Views shown are for parts illustrations only, not servicing procedures*

### Text Codes:

AR - As Required

NA - Not Available

NS - Not Shown

00000000 - See Note

QTY - Quantity Example (QTY 3) (If Quantity not shown, Quantity = 1)

M - Model Example (M1) (If M Code not shown, then part is used on all Models)

### Expanded Model Nomenclature:

Example M1 - Model#1 M2 - Model#2 M3 - Model#3
---

Goodman Manufacturing Company, L.P. is not responsible for personal injury or property damage resulting from improper service. Review all service information before beginning repairs.

Warranty service must be performed by an authorized technician, using authorized factory parts. If service is required after the warranty expires, Goodman Manufacturing Company, L.P. also recommends contacting an authorized technician and using authorized factory parts.

Goodman Manufacturing Company, L.P. reserves the right to discontinue, or change at any time, specifications or designs without notice or without incurring obligations.

For assistance within the U.S.A. contact:  
Homeowner Support  
Goodman Manufacturing Company, L.P.  
19001 Kermier Road  
Waller, Texas 77484  
877-254-4729-Telephone  
713-863-2382-Facsimile

For assistance outside the U.S.A. contact:  
International Division  
Goodman Manufacturing Company, L.P.  
19001 Kermier Road  
Waller, Texas 77484  
713-861-2500-Telephone  
713-863-2382-Facsimile

# Functional Parts

## Part

## No: Description:

50N382XV-5AKM	1.5 Rechi Compressor (M1, M2, M3)	0150M00018	FAN BLADE 20" (M6, M7, M8)
0151R00079	BASE VALVE 3/4" (M1, M2, M3, M4, M5, M6, M7, M8, M9, M10, M11, M12, M14, M15)	0150M00008	FAN BLADE 22" TNT2203-25 (M13)
0151R00078	BASE VALVE 3/8"	B1086750	FAN BLADE 22", 3 BLADE, 24° (M17, M18, M19, M20, M21, M22, M25, M26, M27)
0151R00080	BASE VALVE 7/8" (M13, M16, M17, M18, M19, M20, M21, M22, M23, M24, M25, M26, M27, M28, M29, M30, M31)	10625738	FAN BLADE 26" ALUM CCW (M28, M29, M30, M31)
CAP050600440CT	CAP, 5/60 MFD/440V/DUAL RD (M13)	B1086764	FAN BLADE TYPE 2 (M9, M14, M15, M16)
CAP050350440CS	CAPACITOR 5/35/440V (M1, M2, M3, M4)	B1086765	FAN BLADE TYPE 3 (M23, M24)
CAP050000370LA	CAPACITOR 5/370V (M14, M15, M16, M21, M22, M23, M24, M25, M28, M30, M31)	0150M00029	FAN BLADE, 18" (M5)
CAP050400440CT	CAPACITOR 5/40/440V/DUAL RD (M5, M6, M7, M8)	0150M00030	FAN BLADE, 18" (M1, M2, M3, M4)
CAP050450440CT	CAPACITOR 5/45/440V/DUAL RD (M9, M10, M11, M12, M17, M18, M19, M20)	0131M00022	MOTOR 1/4 HP, 8 PL, 460V (M23, M24, M31)
CAP050700440CT	CAPACITOR 5/70/440V/DUAL RD (M26, M27, M29)		
ZP25K5EPFJ130	COMP, 20400, 220/240/50/1 (M5)		
ZP36K5ETFD130	COMP, 29300, 380/420/50/3 (M16)		
ZP49K5ETFD130	COMP, 40700, 380/420/50/3 (M25)		
ZP24K5EPFV130	COMP, 24000, 208/230/60/1 (M6, M7, M8)		
ZP29K5EPFV130	COMP, 29000, 208/230/60/1 (M9, M10, M11, M12)		
ZP49K5EPFV130	COMP, 49400, 208/230/60/1 (M26, M27)		
ZP36K5EPFJ130	COMPRESSOR (M13)		
ZP57K5ETFD130	COMPRESSOR (M28)		
ZP20K5EPFV130	COMPRESSOR 20000, 208/230/60/1 (M4)		
ZP31K5ETF5130	COMPRESSOR 31200, 200/230/60/3 (M14, M15)		
ZP34K5EPFV130	COMPRESSOR 34500, 208/230/60/1 (M17, M18)		
ZP39K5ETF5130	COMPRESSOR 39000, 200/230/60/3 (M21, M22)		
ZP39K5EPFV130	COMPRESSOR 39000, 208/230/60/1 (M19, M20)		
ZP39K5ETFD130	COMPRESSOR 39000, 460/60/3 (M23, M24)		
ZP51K5EPFV130	COMPRESSOR 51000, 208/230/60/1 (M29)		
ZP51K5ETF5130	COMPRESSOR 51000, 208/230/60/3 (M30)		
ZP51K5ETFD130	COMPRESSOR 51000, 460/60/3 (M31)		
B13400249	COND MOTOR 1/3 HP, 460V (M28)		
0131M00018P	COND MOTOR 1/4 HP, 1 SP, 6 PL (M10, M11, M12, M17, M18, M19, M20, M21, M22, M26, M27)		
0131M00061	COND MOTOR 1/4 HP, 1 SP, 8 PL (M29, M30)		
B13400500	COND MOTOR 1/4 HP, 220-240V 50HZ (M5, M13)		
0131M00060	COND MOTOR 1/6 HP, 1 SP, 8 PL (M9, M14, M15)		
B13400269	COND MOTOR 380/460 50/60 CYCLE (M16, M25)		
0131M00276	COND MOTOR, 1/8 HP, ISP, 6PL (M1, M2, M4)		
0131M00593	COND MOTOR, 1/8 HP, ISP, 6PL, AL (M3)		
0131M00294	COND MOTOR, 1/8HP, ISP, 6PL (M6, M7, M8)		
CONT1P025024V	CONTACTOR 25 AMP, 1P, 24V (M1, M2, M3, M4, M5, M6, M7, M8, M9, M10, M11, M12, M13, M17, M18)		
CONT3P025024V	CONTACTOR 25 AMP, 3P, 24V (M14, M15, M16, M21, M22, M23, M24, M25, M28, M30, M31)		
CONT1P030024V	CONTACTOR 30 AMP, 1P, 24V (M19, M20, M26, M27, M29)		
0150M00041	FAN BLADE (M10, M11, M12)		

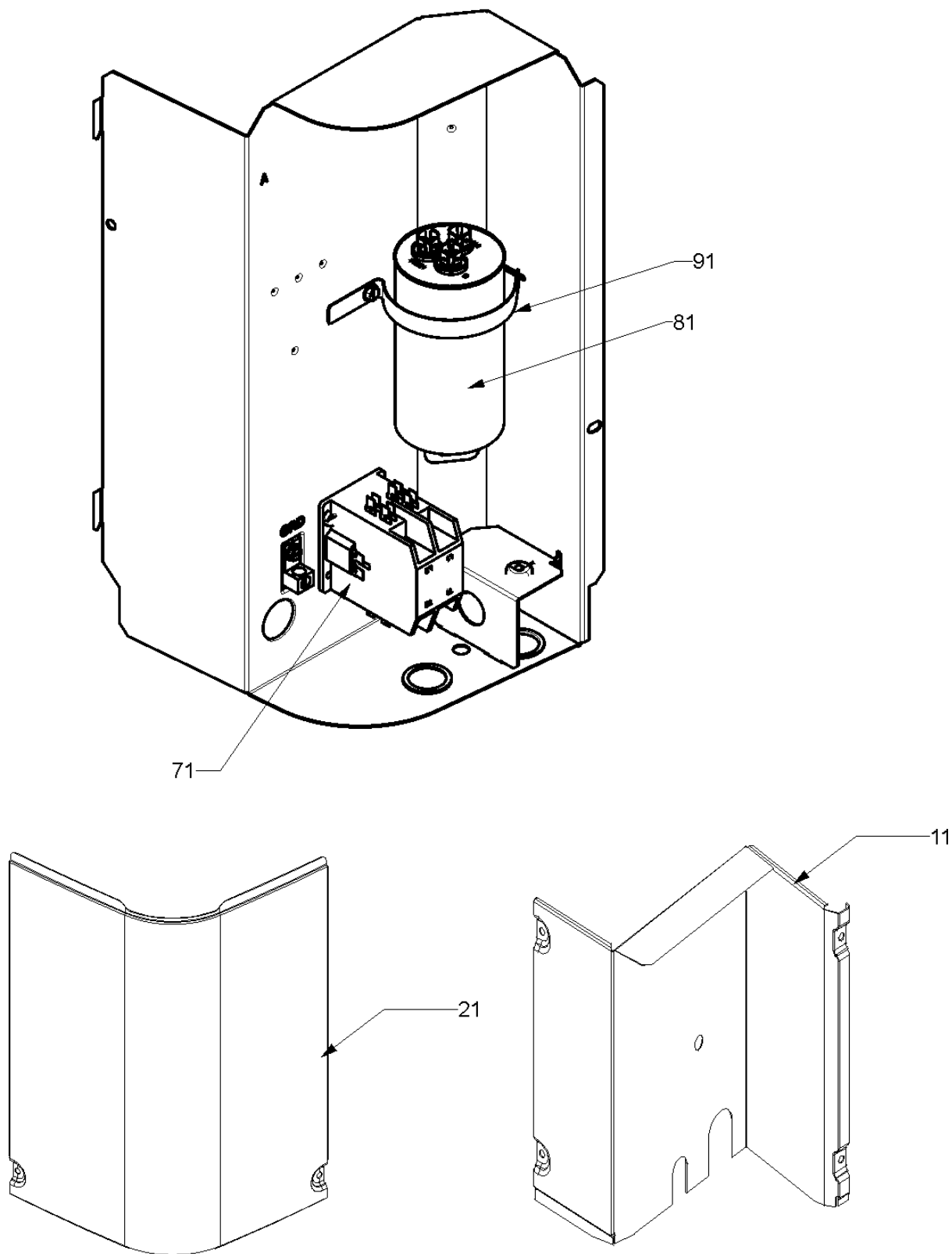
### SPECIAL PARTS

0161R00009P NAMEPLATE

### Expanded Model Nomenclature

M1 - GSX130181EC
M2 - GSX130181ED
M3 - GSX130181EF
M4 - GSX130241DB
M5 - GSX130242AB
M6 - GSX130301BB
M7 - GSX130301BC
M8 - GSX130301BD
M9 - GSX130361CA
M10 - GSX130361EA
M11 - GSX130361EB
M12 - GSX130361EC
M13 - GSX130362AB
M14 - GSX130363AB
M15 - GSX130363AC
M16 - GSX130365AB
M17 - GSX130421BC
M18 - GSX130421BD
M19 - GSX130481BC
M20 - GSX130481BD
M21 - GSX130483AC
M22 - GSX130483AD
M23 - GSX130484AB
M24 - GSX130484AC
M25 - GSX130485AB
M26 - GSX130601BB
M27 - GSX130601BC
M28 - GSX130605AB
M29 - GSX130611AB
M30 - GSX130613AB
M31 - GSX130613AB

# Control Cover / Control Box



# Control Cover / Control Box

Ref. Part No: No:	Description:	Ref. Part No: No:	Description:
<i>Image 1:</i>		<b>Expanded Model Nomenclature</b>	
11	0121R00265PDG PANEL, LOWER ACCESS PNT (M1, M2, M3, M4, M5)	M1 - GSX130181EC	
11	0121R00316PDG PANEL, LOWER ACCESS PNT (M26, M27)	M2 - GSX130181ED	
11	0121R00319PDG PANEL, LOWER ACCESS PNT (M17, M18, M19, M20, M21, M22, M23, M24, M25, M28, M29, M30, M31)	M3 - GSX130181EF	
11	0121R00325PDG PANEL, LOWER ACCESS PNT (M9, M13, M14, M15, M16)	M4 - GSX130241DB	
11	0121R00326PDG PANEL, LOWER ACCESS PNT (M6, M7, M8, M10, M11, M12)	M5 - GSX130242AB	
21	0121R00053PDG CONTROL COVER (M6, M7, M8, M9, M10, M11, M12, M13, M14, M15, M16, M17, M18, M19, M20, M21, M22, M23, M24, M25, M26, M27, M28, M29, M30, M31)	M6 - GSX130301BB	
21	0121R00268PDG CONTROL COVER (M1, M2, M3, M4, M5)	M7 - GSX130301BC	
71	CONT1P025024V CONTACTOR 25 AMP, 1P, 24V (M1, M2, M3, M4, M5, M6, M7, M8, M9, M10, M11, M12, M13, M17, M18)	M8 - GSX130301BD	
71	CONT3P025024V CONTACTOR 25 AMP, 3P, 24V (M14, M15, M16, M21, M22, M23, M24, M25, M28, M30, M31)	M9 - GSX130361CA	
71	CONT1P030024V CONTACTOR 30 AMP, 1P, 24V (M19, M20, M26, M27, M29)	M10 - GSX130361EA	
81	CAP050600440CT CAP, 5/60 MFD/440V/DUAL RD (M13)	M11 - GSX130361EB	
81	CAP050350440CS CAPACITOR 5/35/440V (M1, M2, M3, M4)	M12 - GSX130361EC	
81	CAP050000370LA CAPACITOR 5/370V (M14, M15, M16, M21, M22, M23, M24, M25, M28, M30, M31)	M13 - GSX130362AB	
81	CAP050400440CT CAPACITOR 5/40/440V/DUAL RD (M5, M6, M7, M8)	M14 - GSX130363AB	
81	CAP050450440CT CAPACITOR 5/45/440V/DUAL RD (M9, M10, M11, M12, M17, M18, M19, M20)	M15 - GSX130363AC	
81	CAP050700440CT CAPACITOR 5/70/440V/DUAL RD (M26, M27, M29)	M16 - GSX130365AB	
91	4400065 CAPACITOR STRAP	M17 - GSX130421BC	
NS	0161R00009P NAMEPLATE	M18 - GSX130421BD	
		M19 - GSX130481BC	
		M20 - GSX130481BD	
		M21 - GSX130483AC	
		M22 - GSX130483AD	
		M23 - GSX130484AB	
		M24 - GSX130484AC	
		M25 - GSX130485AB	
		M26 - GSX130601BB	
		M27 - GSX130601BC	
		M28 - GSX130605AB	
		M29 - GSX130611AB	
		M30 - GSX130613AB	
		M31 - GSX130613AB	

# Compressor / Tubing Assembly/Condenser

Image 1

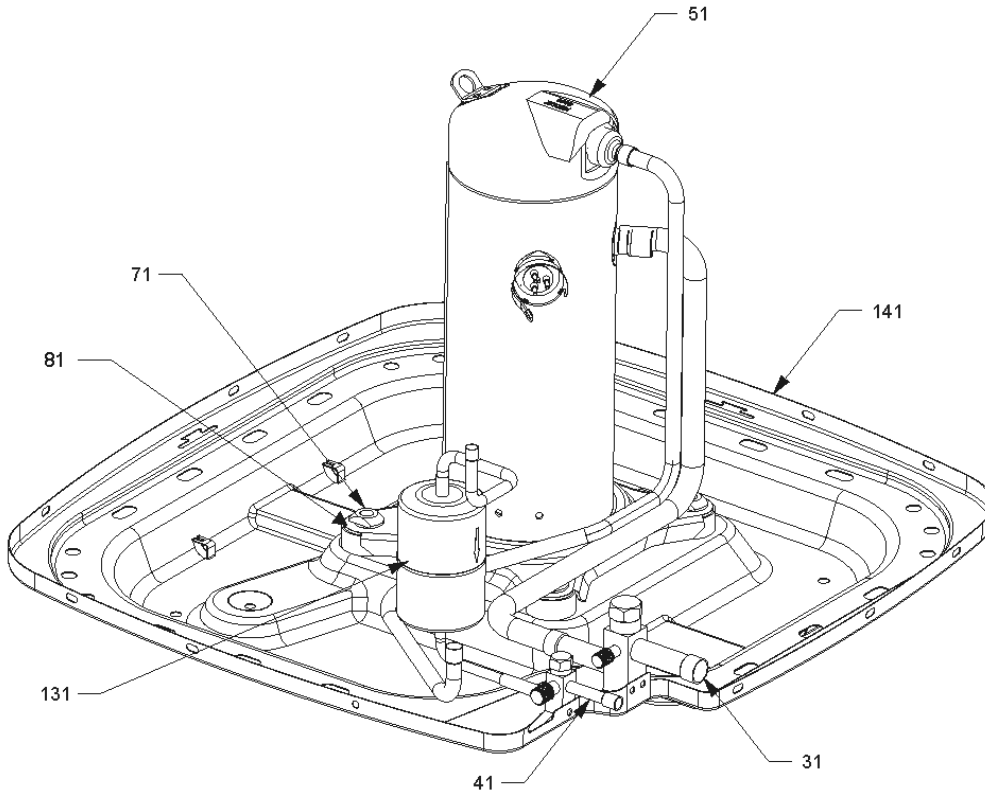


Image 2

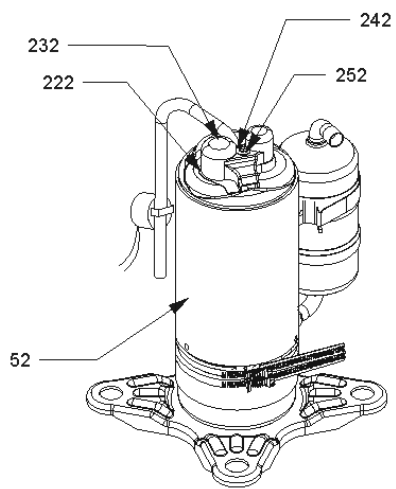
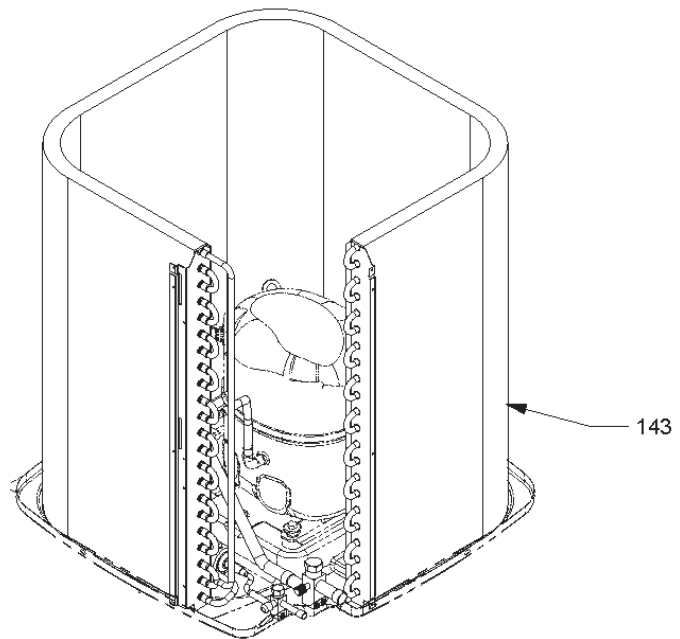


Image 3



# Compressor / Tubing Assembly/Condenser

Ref. Part No:	Ref. Part No:	Description:	Description:
<b>Image 1:</b>		<b>Image 3:</b>	
31	0151R00079	BASE VALVE 3/4" (M1, M2, M3, M4, M5, M6, M7, M8, M9, M10, M11, M12, M14, M15)	143 0201R00336 TUBING ASSY, COND COIL (M22, M24)
31	0151R00080	BASE VALVE 7/8" (M13, M16, M17, M18, M19, M20, M21, M22, M23, M24, M25, M26, M27, M28, M29, M30, M31)	143 0201R00337 TUBING ASSY, COND COIL (M21, M23)
41	0151R00078	BASE VALVE 3/8"	143 0201R00349 TUBING ASSY, COND COIL (M27)
51	ZP25K5EPFJ130	COMP, 20400, 220/240/50/1 (M5)	143 0201R00385 TUBING ASSY, COND COIL (M28, M29, M30, M31)
51	ZP36K5ETFD130	COMP, 29300, 380/420/50/3 (M16)	143 0201R00390 TUBING ASSY, COND COIL (M2)
51	ZP49K5ETFD130	COMP, 40700, 380/420/50/3 (M25)	143 0201R00410 TUBING ASSY, COND COIL (M18, M20, M25)
51	ZP24K5EPFV130	COMP,24000,208/230/60/1 (M6, M7, M8)	143 0201R00453 TUBING ASSY, COND COIL (M1, M3)
51	ZP29K5EPFV130	COMP,29000,208/230/60/1 (M9, M10, M11, M12)	143 0201R00458 TUBING ASSY, COND COIL (M8, M12)
51	ZP49K5EPFV130	COMP,49400,208/230/60/1 (M26, M27)	143 0201R00463 TUBING ASSY, COND COIL (M26)
51	ZP36K5EPFJ130	COMPRESSOR (M13)	143 0201R00464 TUBING ASSY, COND COIL (M13, M15, M16)
51	ZP57K5ETFD130	COMPRESSOR (M28)	143 0201R00467 TUBING ASSY, COND COIL (M4, M5)
51	ZP20K5EPFV130	COMPRESSOR 20000, 208/230/60/1 (M4)	143 0201R00492 TUBING ASSY, COND COIL (M7, M11)
51	ZP31K5ETF5130	COMPRESSOR 31200, 200/230/60/3 (M14, M15)	
51	ZP34K5EPFV130	COMPRESSOR 34500, 208/230/60/1 (M17, M18)	
51	ZP39K5ETF5130	COMPRESSOR 39000, 200/230/60/3 (M21, M22)	
51	ZP39K5EPFV130	COMPRESSOR 39000, 208/230/60/1 (M19, M20)	
51	ZP39K5ETFD130	COMPRESSOR 39000, 460/60/3 (M23, M24)	
51	ZP51K5EPFV130	COMPRESSOR 51000, 208/230/60/1 (M29)	
51	ZP51K5ETF5130	COMPRESSOR 51000, 208/230/60/3 (M30)	
51	ZP51K5ETFD130	COMPRESSOR 51000, 460/60/3 (M31)	
71	0163M00186	TF SHOULDER SCREW (M1, M2, M3)	
71	M0221641	TF SHOULDER SCREW (M4, M5, M6, M7, M8, M9, M10, M11, M12, M13, M14, M15, M16, M17, M18, M19, M20, M21, M22, M23, M24, M25, M26, M27, M28, M29, M30, M31)	
81	B1339533	COMPRESSOR GROMMET (M4, M5, M6, M7, M8, M9, M10, M11, M12, M13, M14, M15, M16, M17, M18, M19, M20, M21, M22, M23, M24, M25, M26, M27, M28, M29, M30, M31)	
81	60140209	GROMMET - RECHI COMPRESSOR (M1, M2, M3)	
131	0162R00009	FILTER DRIER	
141	0121R00272	BASE PAN 23" (M1, M2, M3, M4, M5)	
141	0121R00005PDG	BASE PAN 26" (M6, M7, M8, M10, M11, M12)	
141	0121R00006PDG	BASE PAN 29" (M9, M13, M14, M15, M16, M17, M18, M19, M20, M21, M22, M23, M24, M25, M26, M27)	
141	0121R00007PDG	BASE PAN 35" (M28, M29, M30, M31)	
NS	0159R00000P	COMPRESSOR SCROLL HARNESS (M4, M6, M7, M8, M10, M11, M12)	
NS	0159R00001P	COMPRESSOR SCROLL HARNESS (M9, M17, M18, M19, M20)	
NS	0159R00002P	COMPRESSOR SCROLL HARNESS (M26, M27, M29)	
NS	0159R00008	COMPRESSOR SCROLL HARNESS (M14, M15)	
NS	0159R00009	COMPRESSOR SCROLL HARNESS (M5, M13, M16, M21, M22, M23, M24, M25, M28, M30, M31)	
<b>Image 2:</b>		<b>Expanded Model Nomenclature</b>	
52	50N382XV-5AKM	1.5 Rechi Compressor (M1, M2, M3)	M1 - GSX130181EC
222	60100107	TERMINAL COVER GASKET (M1, M2, M3)	M2 - GSX130181ED
232	60100317	TERMINAL COVER (M1, M2, M3)	M3 - GSX130181EF
242	60100401	TERMINAL NUT - RECHI COMP (M1, M2, M3)	M4 - GSX130241DB
252	60100201	WASHER - RECHI COMPRESSOR (M1, M2, M3)	M5 - GSX130242AB
143	0201R00242S	TUBING ASSY, COND COIL (M17, M19)	M6 - GSX130301BB
143	0201R00271	TUBING ASSY, COND COIL (M6, M10)	M7 - GSX130301BC
143	0201R00272	TUBING ASSY, COND COIL (M9, M14)	M8 - GSX130301BD
			M9 - GSX130361CA
			M10 - GSX130361EA
			M11 - GSX130361EB
			M12 - GSX130361EC
			M13 - GSX130362AB
			M14 - GSX130363AB
			M15 - GSX130363AC
			M16 - GSX130365AB
			M17 - GSX130421BC
			M18 - GSX130421BD
			M19 - GSX130481BC
			M20 - GSX130481BD
			M21 - GSX130483AC
			M22 - GSX130483AD
			M23 - GSX130484AB
			M24 - GSX130484AC
			M25 - GSX130485AB
			M26 - GSX130601BB
			M27 - GSX130601BC
			M28 - GSX130605AB
			M29 - GSX130611AB
			M30 - GSX130613AB
			M31 - GSX130613AB

# Cabinet Top / Side Panels

Image 1

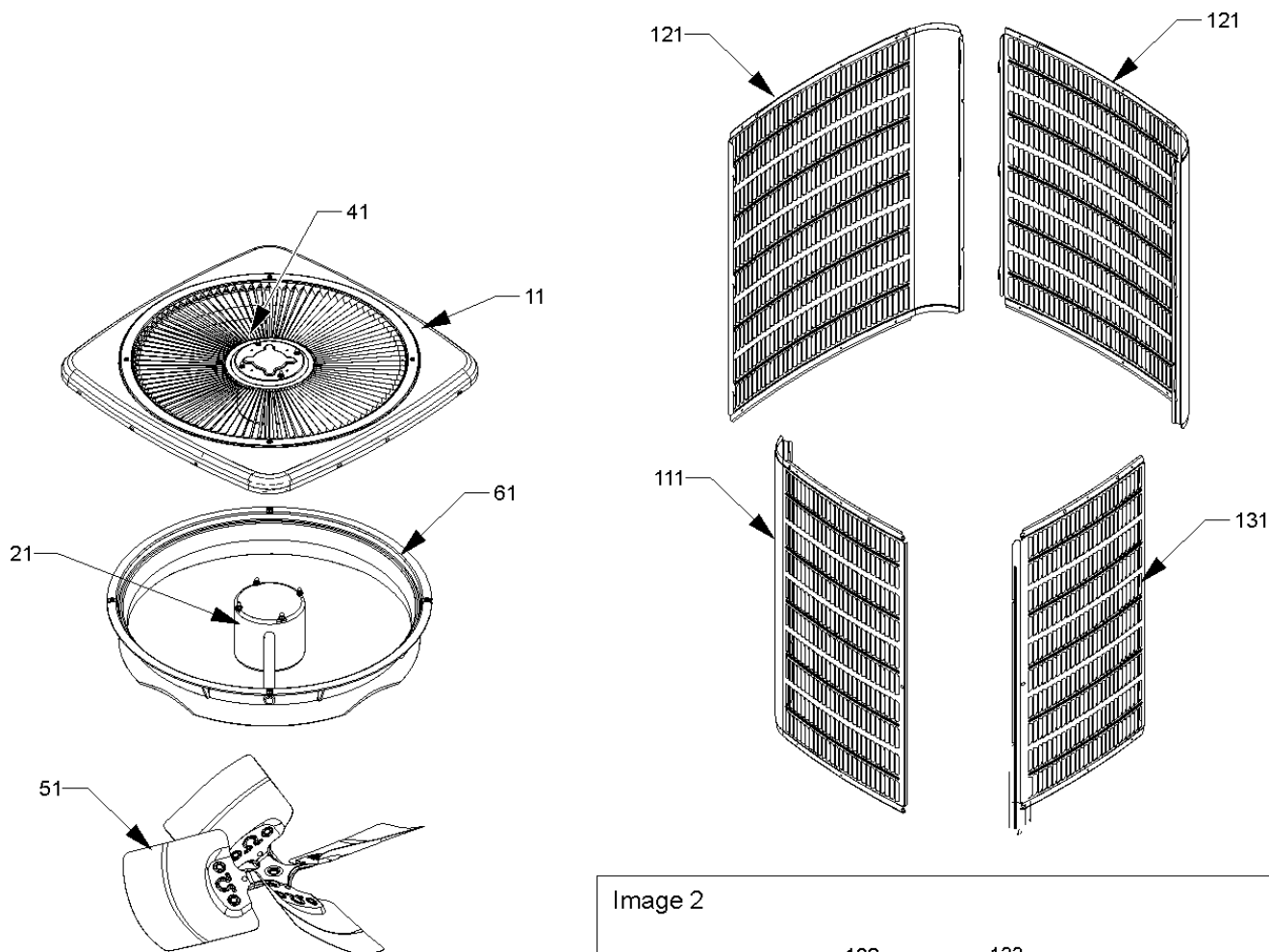
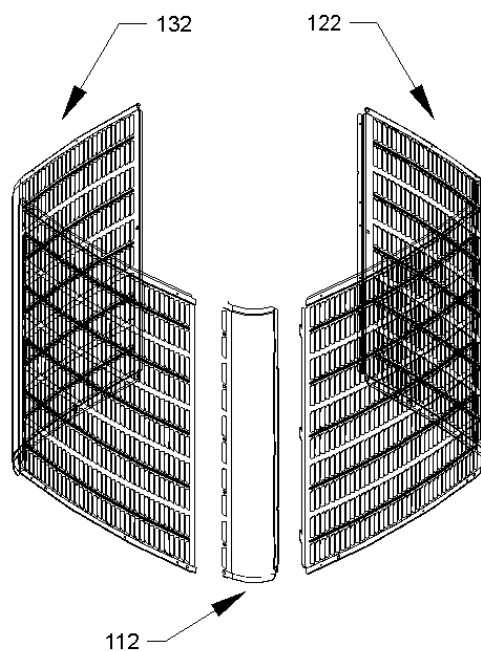


Image 2



# Cabinet Top / Side Panels

Ref. Part No: No:	Description:	Ref. Part No: No:	Description:
<b>Image 1:</b>		<b>Image 2:</b>	
11	0121R00270PDG Top Panel (M1, M2, M3, M4, M5)	122	0121R00274PDGRS Louver Panel, PDG 23_25.2 (M1, M2, M3, M4, M5)
11	0121R00008PDG TOP PANEL 26" (M6, M7, M8, M10, M11, M12)	122	0121R00336PDGRS Louver Panel, PDG 26"_23.73 (M7, M8, M11, M12)
11	0121R00010PDG TOP PANEL 29" (M9, M13, M14, M15, M16, M17, M18, M19, M20, M21, M22, M23, M24, M25, M26, M27)	122	0121R00344PDGRS Louver Panel, PDG 29"_32.51 (M17, M18, M19, M20, M21, M22, M23, M24)
11	0121R00269PDG Top Panel, 35" Pnt (M28, M29, M30, M31)	122	0121R00346PDGRS Louver Panel, PDG 29"_36.30 (M26, M27)
21	B13400249 COND MOTOR 1/3 HP, 460V (M28)	122	0121R00340PDGRS Louver Panel, PDG 29_24.95 (M14, M15)
21	0131M00018P COND MOTOR 1/4 HP, 1 SP, 6 PL (M10, M11, M12, M17, M18, M19, M20, M21, M22, M26, M27)	132	0121R00274PDGLS Louver Panel, PDG 23_25.2 (M1, M2, M3, M4, M5)
21	0131M00061 COND MOTOR 1/4 HP, 1 SP, 8 PL (M29, M30)	132	0121R00336PDGLS Louver Panel, PDG 26"_23.73 (M7, M8, M11, M12)
21	B13400500 COND MOTOR 1/4 HP, 220-240V 50HZ (M5, M13)	132	0121R00344PDGLS Louver Panel, PDG 29"_32.51 (M17, M18, M19, M20, M21, M22, M23, M24)
21	0131M00060 COND MOTOR 1/6 HP, 1 SP, 8 PL (M9, M14, M15)	132	0121R00346PDGLS Louver Panel, PDG 29"_36.30 (M26, M27)
21	B13400269 COND MOTOR 380/460 50/60 CYCLE (M16, M25)	132	0121R00340PDGLS Louver Panel, PDG 29_24.95 (M14, M15)
21	0131M00276 COND MOTOR, 1/8 HP, ISP, 6PL (M1, M2, M4)	<b>Expanded Model Nomenclature</b>	
21	0131M00593 COND MOTOR, 1/8 HP, ISP, 6PL, AL (M3)	M1 - GSX130181EC	
21	0131M00294 COND MOTOR, 1/8HP, ISP, 6PL (M6, M7, M8)	M2 - GSX130181ED	
21	0131M00022 MOTOR 1/4 HP, 8 PL, 460V (M23, M24, M31)	M3 - GSX130181EF	
41	0163M00006P ACORN NUT 5/16 HEX BLACK (QTY 4)	M4 - GSX130241DB	
51	0150M00041 FAN BLADE (M10, M11, M12)	M5 - GSX130242AB	
51	0150M00018 FAN BLADE 20" (M6, M7, M8)	M6 - GSX130301BB	
51	0150M00008 FAN BLADE 22" TNT2203-25 (M13)	M7 - GSX130301BC	
51	B1086750 FAN BLADE 22", 3 BLADE, 24° (M17, M18, M19, M20, M21, M22, M25, M26, M27)	M8 - GSX130301BD	
51	10625738 FAN BLADE 26" ALUM CCW (M28, M29, M30, M31)	M9 - GSX130361CA	
51	B1086764 FAN BLADE TYPE 2 (M9, M14, M15, M16)	M10 - GSX130361EA	
51	B1086765 FAN BLADE TYPE 3 (M23, M24)	M11 - GSX130361EB	
51	0150M00029 FAN BLADE, 18" (M5)	M12 - GSX130361EC	
51	0150M00030 FAN BLADE, 18" (M1, M2, M3, M4)	M13 - GSX130362AB	
61	0161L00000 VENTURI RING 22" (M9, M13, M14, M15, M17, M18, M19, M20, M21, M22, M23, M24, M26, M27)	M14 - GSX130363AB	
61	0161R00007P VENTURI RING 35" (M28, M29, M30, M31)	M15 - GSX130363AC	
111	0121R00124PDGB LOUVERED SIDE PANEL (M9, M13, M16)	M16 - GSX130365AB	
111	0121R00102PDGB LOUVERED SIDE PANEL [LT OF CNTL PNL] (M6, M10)	M17 - GSX130421BC	
111	0121R00127PDGB LOUVERED SIDE PANEL [LT OF CNTL PNL] (M25)	M18 - GSX130421BD	
111	0121R00228PDGB LOUVERED SIDE PANEL [LT OF CNTL PNL] (M28, M29, M30, M31)	M19 - GSX130481BC	
121	0121R00109PDGB LOUVERED SIDE PANEL (M6, M10)	M20 - GSX130481BD	
121	0121R00131PDGB LOUVERED SIDE PANEL (M9, M13, M16)	M21 - GSX130483AC	
121	0121R00134PDGB LOUVERED SIDE PANEL (M25)	M22 - GSX130483AD	
131	0121R00138PDG LOUVERED SIDE PANEL (M9, M13, M16)	M23 - GSX130484AB	
131	0121R00116S LOUVERED SIDE PANEL [RT OF CNTL PNL] (M6, M10)	M24 - GSX130484AC	
131	0121R00141PDG LOUVERED SIDE PANEL [RT OF CNTL PNL] (M25)	M25 - GSX130485AB	
131	0121R00234PDG LOUVERED SIDE PANEL [RT OF CNTL PNL] (M28, M29, M30, M31)	M26 - GSX130601BB	
NS	0161R00001P CONDUIT (M6, M7, M8, M10, M11, M12)	M27 - GSX130601BC	
NS	0161R00002P CONDUIT (M9, M13, M14, M15, M17, M18, M19, M20, M21, M22, M23, M24, M26, M27)	M28 - GSX130605AB	
NS	0161R00004P CONDUIT (M28, M29, M30, M31)	M29 - GSX130611AB	
NS	0161R00032 CONDUIT (M1, M2, M3, M4, M5)	M30 - GSX130613AB	
		M31 - GSX130613AB	
<b>Image 2:</b>			
112	0121R00347PDG Louver Post, PDG 23.73 (M7, M8, M11, M12)		
112	0121R00280PDG Louver Post, PDG 23_25.2 (M1, M2, M3, M4, M5)		
112	0121R00348PDG Louver Post, PDG 24.95 (M14, M15)		
112	0121R00352PDG Louver Post, PDG 32.51 (M17, M18, M19, M20, M21, M22, M23, M24)		
112	0121R00354PDG Louver Post, PDG 36.30 (M26, M27)		