

REPAIR PARTS

GSX13 [EXPORT] R410A Remote Condensing Units

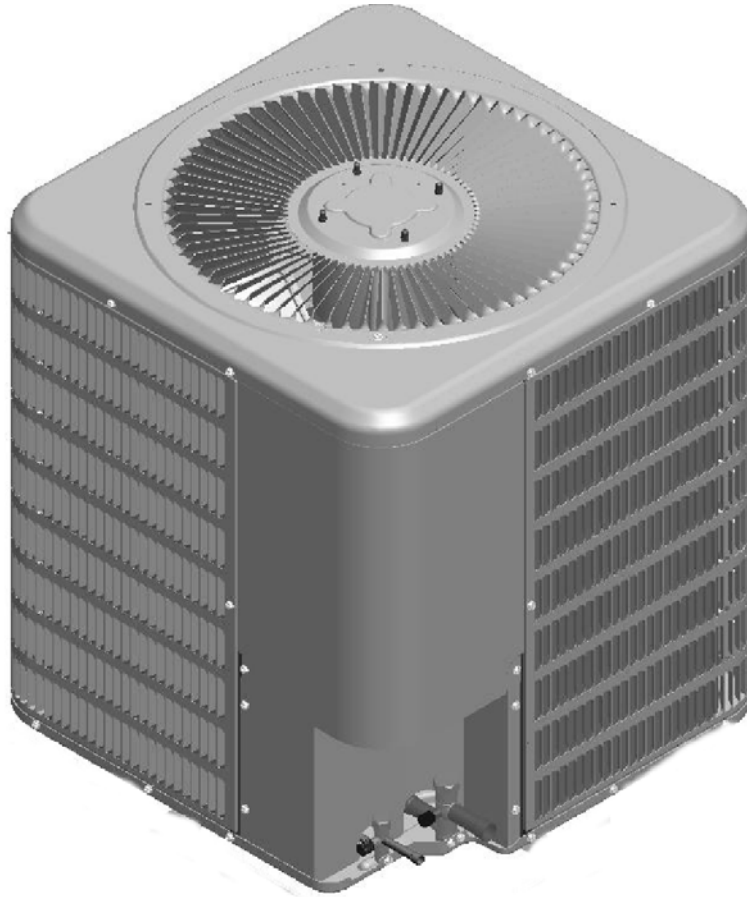
GSX130242AA

GSX130362AA

GSX130365AA

GSX130485AA

GSX130605AA



This manual is to be used by qualified technicians only.

© 2012 Goodman Manufacturing Company, L.P. ♦ 5151 San Felipe, Suite 500 ♦ Houston, TX 77056

Important Information

Index

Functional Parts List	3
Illustration and Parts	4 - 9

Views shown are for parts illustrations only, not servicing procedures.

50 Hertz R410A Condensing Units

Text Codes:

AR - As Required

NA - Not Available

NS - Not Shown

00000000 - See Note

QTY - Quantity Example (QTY 3) (If Quantity not shown, Quantity = 1)

M - Model Example (M1) (If M Code not shown, then part is used on all Models)

Expanded Model Nomenclature:

Example M1 - Model#1 M2 - Model#2 M3 - Model#3

Goodman Manufacturing Company, L.P. is not responsible for personal injury or property damage resulting from improper service. Review all service information before beginning repairs.

Warranty service must be performed by an authorized technician, using authorized factory parts. If service is required after the warranty expires, Goodman Manufacturing Company, L.P. also recommends contacting an authorized technician and using authorized factory parts.

Goodman Manufacturing Company, L.P. reserves the right to discontinue, or change at any time, specifications or designs without notice or without incurring obligations.

For assistance within the U.S.A. contact:
Consumer Affairs Department
Goodman Manufacturing Company, L.P.
7401 Security Way
Houston, Texas 77040
877-254-4729-Telephone
713-863-2382-Facsimile

For assistance outside the U.S.A. contact:
International Division
Goodman Manufacturing Company, L.P.
7401 Security Way
Houston, Texas 77040
713-861-2500-Telephone
713-863-2382-Facsimile

Functional Parts

Part

No: Description:

B12825171	3/8" SERVICE VALVE
CAP050000370VA	CAPACITOR 5/370V (M3, M4, M5)
CAP050400440RT	CAPACITOR 5/40/440V (M1)
CAP050600440RT	CAPACITOR 5/60/440V (M2)
ZP25K5EPFJ130	COMP, 20400, 220/240/50/1 (M1)
ZP36K5ETFD130	COMP, 29300, 380/420/50/3 (M3)
ZP49K5ETFD130	COMP, 40700, 380/420/50/3 (M4)
ZP57K5ETFD130	COMPRESSOR (M5)
ZP36K5EPFJ130	COMPRESSOR (M2)
B13400249	COND MOTOR 1/3 HP, 460V (M5)
B13400269	COND MOTOR 380/460 50/60 CYCLE (M3, M4)
B13400500	COND MOTOR, 1/4HP, 220-240V 50HZ (M1, M2)
CONT1P025024V	CONTACTOR 25 AMP, 1P, 24V (M1, M2)
CONT3P025024V	CONTACTOR 25 AMP, 3P, 24V (M3, M4, M5)
0150M00008	FAN BLADE 22" TNT2203-25 (M2)
B1086750	FAN BLADE 22", 3 BLADE, 24° (M4)
10625738	FAN BLADE 26" ALUM CCW (M5)
B1086764	FAN BLADE TYPE 2 (M3)
0150M00029	FAN BLADE, 18" (M1)
B1789855	FLOW CHECK PISTON KIT .055 (M1)
B1789865	FLOW CHECK PISTON KIT .065 (M2, M3)
B1789876	FLOW CHECK PISTON KIT .076 (M4)
B1789882	FLOW CHECK PISTON KIT .082 (M5)
0151R00032	VALVE, BASE 3/4" OPEN LEFT (M1)
0151R00033	VALVE, BASE 7/8" OPEN LEFT (M2, M3, M4, M5)

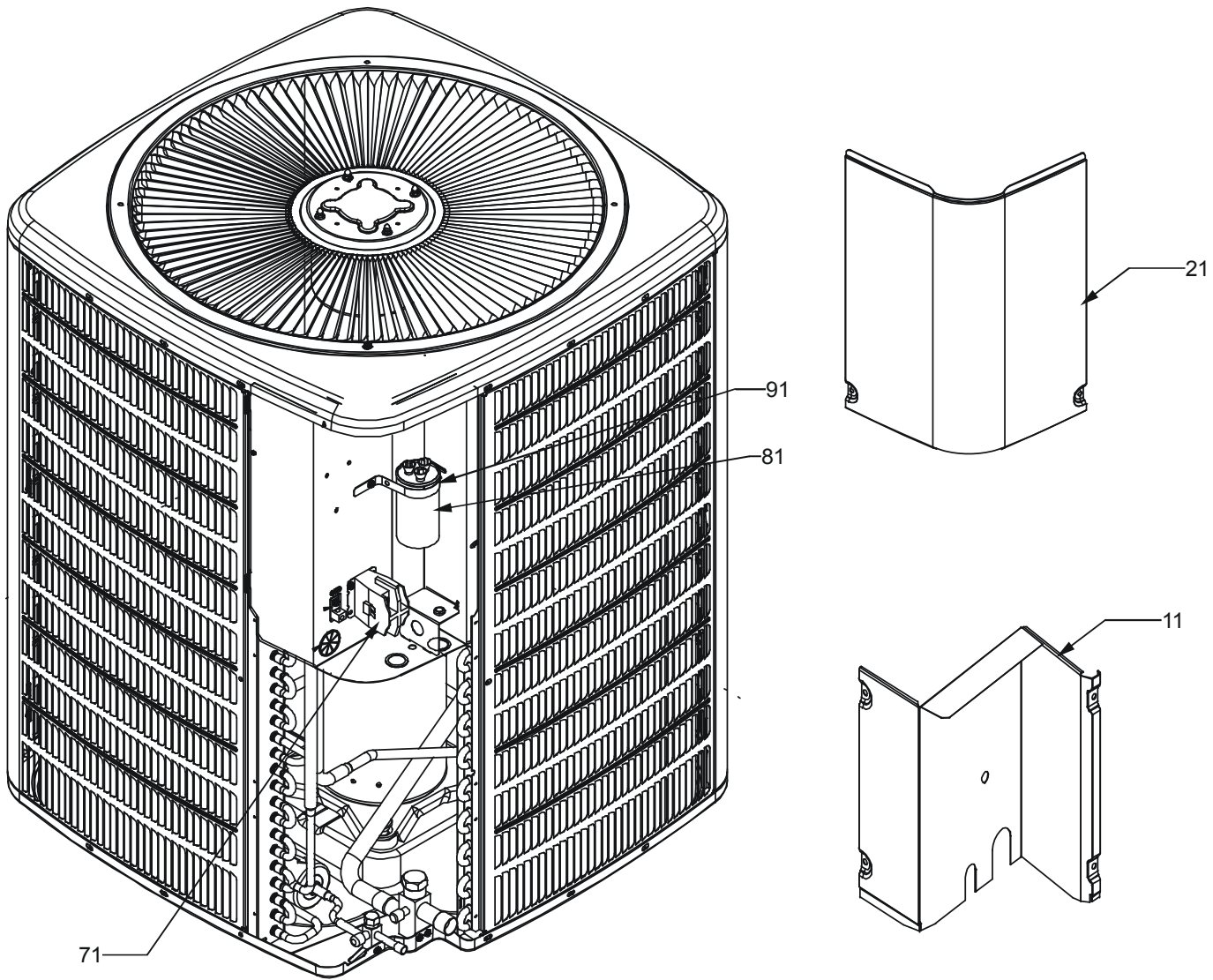
SPECIAL PARTS

0161R00009P NAMEPLATE

Expanded Model Nomenclature

M1 - GSX130242AA
M2 - GSX130362AA
M3 - GSX130365AA
M4 - GSX130485AA
M5 - GSX130605AA

Control Cover / Control Box



Control Cover / Control Box

Ref. Part No:	No:	Description:	Ref. Part No:	No:	Description:
---------------	-----	--------------	---------------	-----	--------------

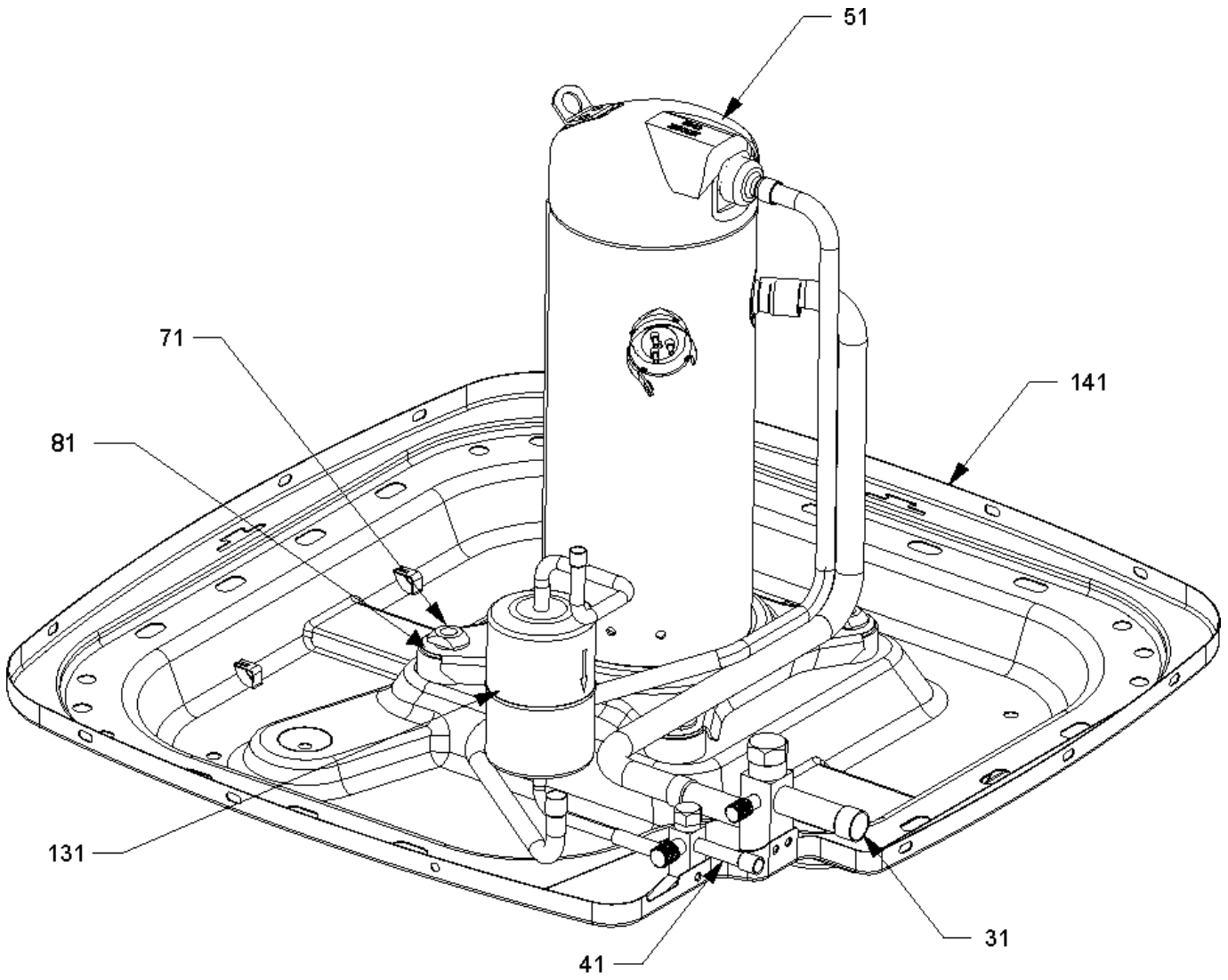
Image 1:

11	0121R00265	PANEL, LOWER ACCESS (M1)
11	0121R00319PDG	PANEL, LOWER ACCESS (M4, M5)
11	0121R00325PDG	PANEL, LOWER ACCESS (M2, M3)
21	0121R00053PDG	CONTROL COVER (M2, M3, M4, M5)
21	0121R00268	CONTROL COVER (M1)
71	CONT1P025024V	CONTACTOR 25 AMP, 1P, 24V (M1, M2)
71	CONT3P025024V	CONTACTOR 25 AMP, 3P, 24V (M3, M4, M5)
81	CAP050000370VA	CAPACITOR 5/370V (M3, M4, M5)
81	CAP050400440RT	CAPACITOR 5/40/440V (M1)
81	CAP050600440RT	CAPACITOR 5/60/440V (M2)
91	4400065	CAPACITOR STRAP (M2, M3, M4, M5)
NS	0161R00009P	NAMEPLATE

Expanded Model Nomenclature

M1 - GSX130242AA
M2 - GSX130362AA
M3 - GSX130365AA
M4 - GSX130485AA
M5 - GSX130605AA

Compressor / Tubing Assembly



Compressor / Tubing Assembly

Ref. Part No:	No:	Description:	Ref. Part No:	No:	Description:
---------------	-----	--------------	---------------	-----	--------------

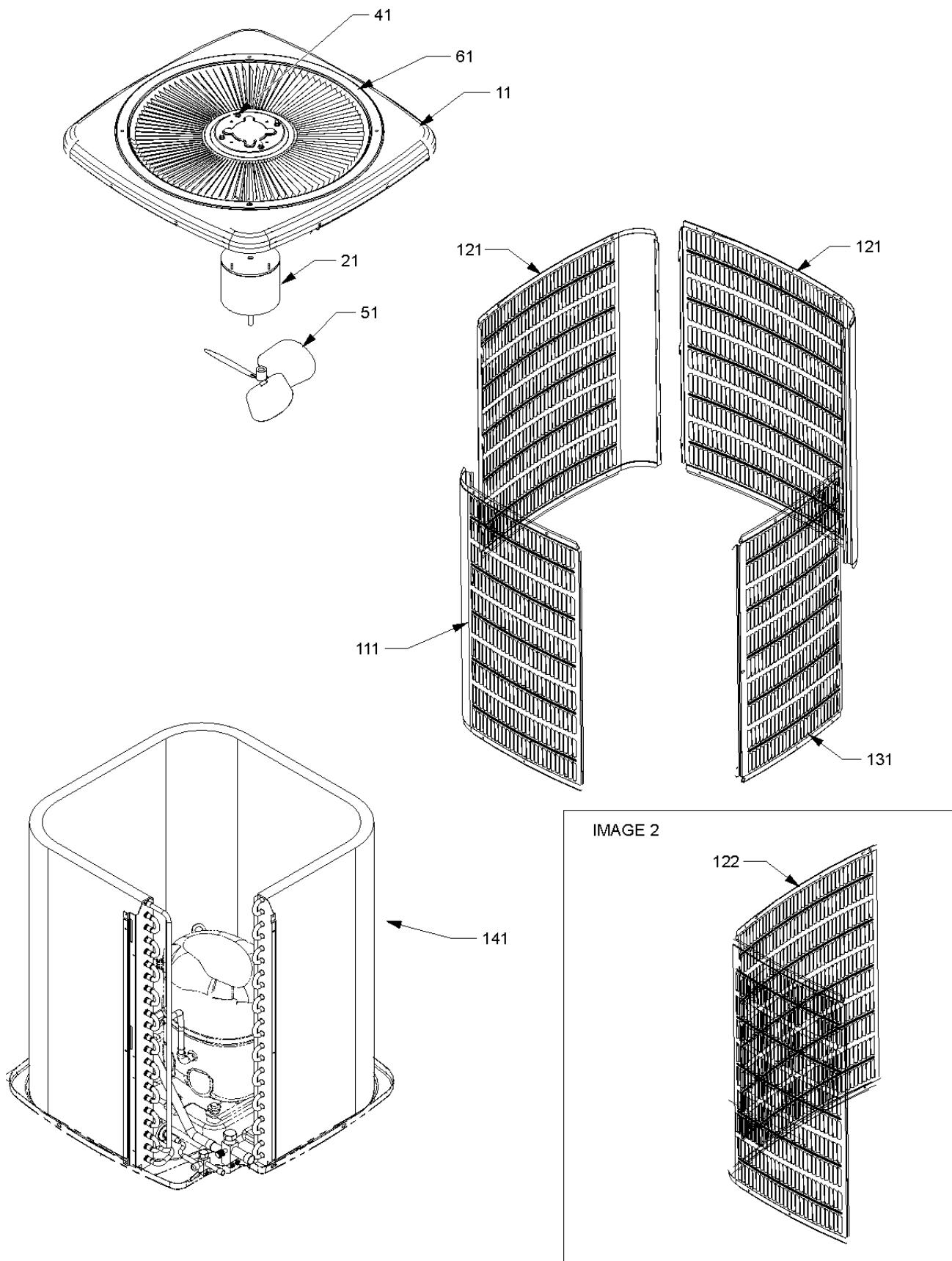
Image 1:

31	0151R00032	VALVE, BASE 3/4" OPEN LEFT (M1)
31	0151R00033	VALVE, BASE 7/8" OPEN LEFT (M2, M3, M4, M5)
41	B12825171	3/8" SERVICE VALVE
51	ZP25K5EPFJ130	COMP, 20400, 220/240/50/1 (M1)
51	ZP36K5ETFD130	COMP, 29300, 380/420/50/3 (M3)
51	ZP49K5ETFD130	COMP, 40700, 380/420/50/3 (M4)
51	ZP36K5EPFJ130	COMPRESSOR (M2)
51	ZP57K5ETFD130	COMPRESSOR (M5)
71	M0221641	TF SHOULDER SCREW (QTY 4)
81	B1339533	COMPRESSOR GROMMET (QTY 4)
131	0162R00009	FILTER DRIER
141	0121R00006PDG	BASE PAN 29" (M2, M3, M4)
141	0121R00007PDG	BASE PAN 35" (M5)
141	0121R00272	BASE PAN, 23" (M1)
NS	0159R00009	COMPRESSOR SCROLL HARNESS

Expanded Model Nomenclature

M1 - GSX130242AA
M2 - GSX130362AA
M3 - GSX130365AA
M4 - GSX130485AA
M5 - GSX130605AA

Cabinet Top / Side Panels



Cabinet Top / Side Panels

Ref. Part No: No:	Description:	Ref. Part No: No:	Description:
-------------------	--------------	-------------------	--------------

Image 1:

11	0121R00010PDG	PANEL, TOP 29" PNT (M2, M3, M4)
11	0121R00269PDG	PANEL, TOP 35" PNT (M5)
11	0121R00270PDG	PANEL, TOP, PNT DG (M1)
21	B13400249	COND MOTOR 1/3 HP, 460V (M5)
21	B13400269	COND MOTOR 380/460 50/60 CYCLE (M3, M4)
21	B13400500	COND MOTOR, 1/4HP, 220-240V 50HZ (M1, M2)
41	0163M00006P	ACORN NUT 5/16 HEX BLACK (QTY 4)
51	0150M00008	FAN BLADE 22" TNT2203-25 (M2)
51	B1086750	FAN BLADE 22", 3 BLADE, 24° (M4)
51	10625738	FAN BLADE 26" ALUM CCW (M5)
51	B1086764	FAN BLADE TYPE 2 (M3)
51	0150M00029	FAN BLADE, 18" (M1)
61	0161L00000	VENTURI RING 22" (M2)
61	0161R00007P	VENTURI RING 35" (M5)
111	0121R00124PDG	LOUVERED SIDE PANEL [LT OF CNTL PNL] (M2, M3)
111	0121R00127PDGB	LOUVERED SIDE PANEL [LT OF CNTL PNL] (M4)
111	0121R00228PDGB	LOUVERED SIDE PANEL [LT OF CNTL PNL] (M5)
121	0121R00131PDGB	LOUVERED SIDE PANEL (M2, M3)
121	0121R00134PDGB	LOUVERED SIDE PANEL (M4)
121	0121R00231PDGB	LOUVERED SIDE PANEL (M5)
131	0121R00138PDG	LOUVERED SIDE PANEL (M2, M3)
131	0121R00141PDG	LOUVERED SIDE PANEL [RT OF CNTL PNL] (M4)
131	0121R00234PDG	LOUVERED SIDE PANEL [RT OF CNTL PNL] (M5)
141	0201R00242	TUBING ASSY, COND COIL (M4)
141	0201R00272	TUBING ASSY, COND COIL (M2, M3)
141	0201R00311	TUBING ASSY, COND COIL (M5)
141	0201R00383	TUBING ASSY, COND COIL (M1)
NS	0161R00002P	CONDUIT (M2)
NS	0161R00003P	CONDUIT (M3, M4)
NS	0161R00004P	CONDUIT (M5)
NS	0161R00032	CONDUIT (M1)
NS	B1789855	FLOW CHECK PISTON KIT .055 (M1)
NS	B1789865	FLOW CHECK PISTON KIT .065 (M2, M3)
NS	B1789876	FLOW CHECK PISTON KIT .076 (M4)
NS	B1789882	FLOW CHECK PISTON KIT .082 (M5)

Image 2:

122	0121R00274PDGL	LOUVERED SIDE PANEL (M1)
122	0121R00274PDGR	LOUVERED SIDE PANEL (M1)

Expanded Model Nomenclature

M1 - GSX130242AA
M2 - GSX130362AA
M3 - GSX130365AA
M4 - GSX130485AA
M5 - GSX130605AA