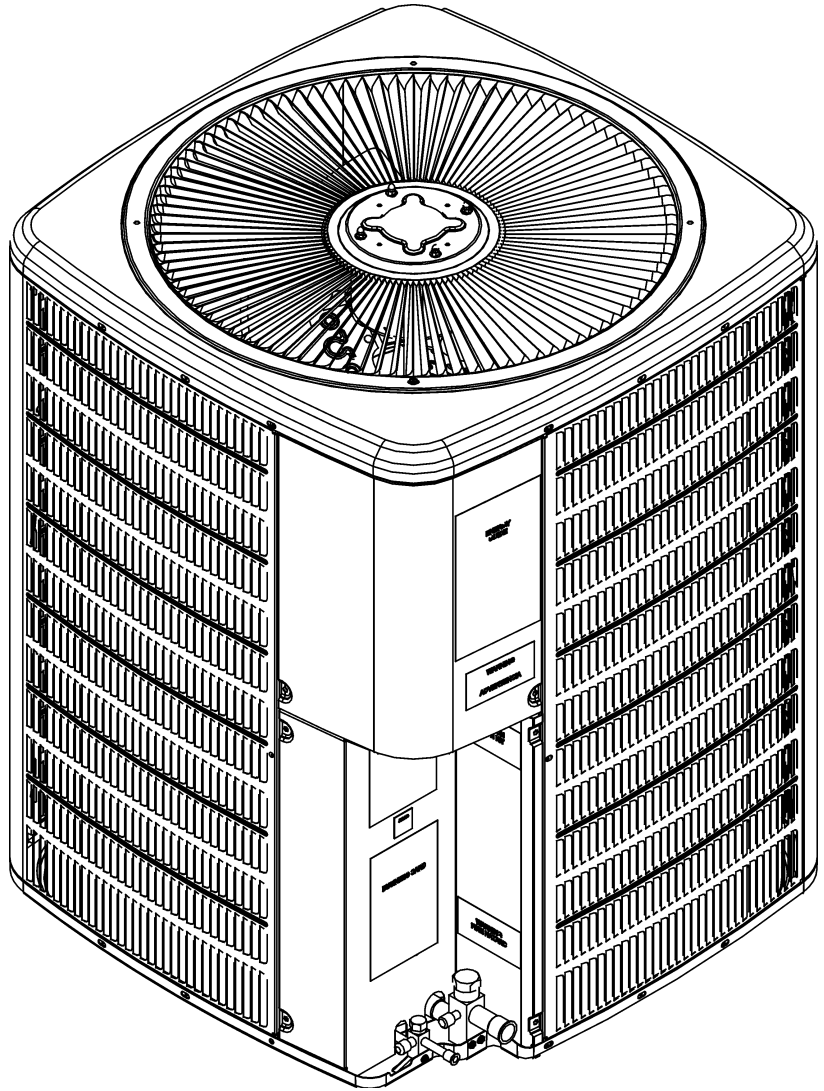


GSX13 Remote Condensing Unit [EXPORT]

GSX130242XCAC
GSX130242XCAB
GSX130362XCAB
GSX130365XCAB
GSX130485XCAB
GSX130605XCAB



This manual is to be used by qualified technicians only.

Important Information

Index

Functional Parts List	3
Illustration and Parts	4 - 9

Views shown are for parts illustrations only, not servicing procedures

Text Codes:

AR - As Required

NA - Not Available

NS - Not Shown

00000000 - See Note

QTY - Quantity Example (QTY 3) (If Quantity not shown, Quantity = 1)

M - Model Example (M1) (If M Code not shown, then part is used on all Models)

Expanded Model Nomenclature:

Example M1 - Model#1 M2 - Model#2 M3 - Model#3

Goodman Manufacturing Company, L.P. is not responsible for personal injury or property damage resulting from improper service. Review all service information before beginning repairs.

Warranty service must be performed by an authorized technician, using authorized factory parts. If service is required after the warranty expires, Goodman Manufacturing Company, L.P. also recommends contacting an authorized technician and using authorized factory parts.

Goodman Manufacturing Company, L.P. reserves the right to discontinue, or change at any time, specifications or designs without notice or without incurring obligations.

For assistance within the U.S.A. contact:
Homeowner Support
Goodman Manufacturing Company, L.P.
19001 Kermier Road
Waller, Texas 77484
877-254-4729-Telephone
713-863-2382-Facsimile

For assistance outside the U.S.A. contact:
International Division
Goodman Manufacturing Company, L.P.
19001 Kermier Road
Waller, Texas 77484
713-861-2500-Telephone
713-863-2382-Facsimile

Functional Parts

Part

No: **Description:**

0151R00079	BASE VALVE 3/4" (M1, M2)
0151R00078	BASE VALVE 3/8"
0151R00080	BASE VALVE 7/8" (M3, M4, M5, M6)
CAP050600440CT	CAP, 5/60 MFD/440V/DUAL RD (M3)
CAP050000370LA	CAPACITOR 5/370V (M4, M5, M6)
CAP050400440CT	CAPACITOR 5/40/440V/DUAL RD (M1, M2)
ZP25K5EPFJ130	COMP, 20400, 220/240/50/1 (M1, M2)
ZP36K5ETFD130	COMP, 29300, 380/420/50/3 (M4)
ZP49K5ETFD130	COMP, 40700, 380/420/50/3 (M5)
ZP57K5ETFD130	COMPRESSOR (M6)
ZP36K5EPFJ130	COMPRESSOR (M3)
B13400249	COND MOTOR 1/3 HP, 460V (M6)
B13400500	COND MOTOR 1/4 HP, 220-240V 50HZ (M1, M2, M3)
B13400269	COND MOTOR 380/460 50/60 CYCLE (M4, M5)
CONT1P025024V	CONTACTOR 25 AMP, 1P, 24V (M1, M2, M3)
CONT3P025024V	CONTACTOR 25 AMP, 3P, 24V (M4, M5, M6)
0150M00008	FAN BLADE 22" TNT2203-25 (M3)
B1086750	FAN BLADE 22", 3 BLADE, 24° (M5)
10625738	FAN BLADE 26" ALUM CCW (M6)
B1086764	FAN BLADE TYPE 2 (M4)
0150M00029	FAN BLADE, 18" (M1, M2)

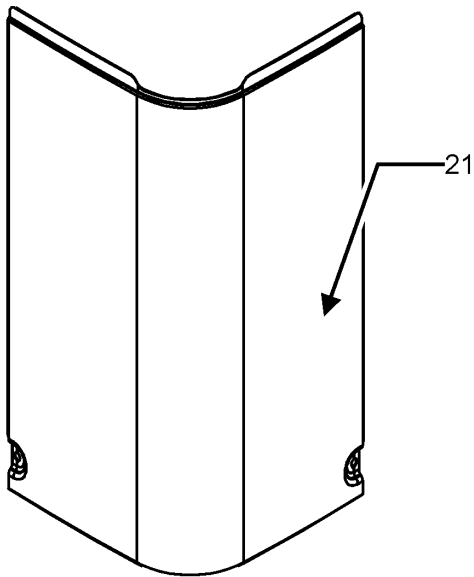
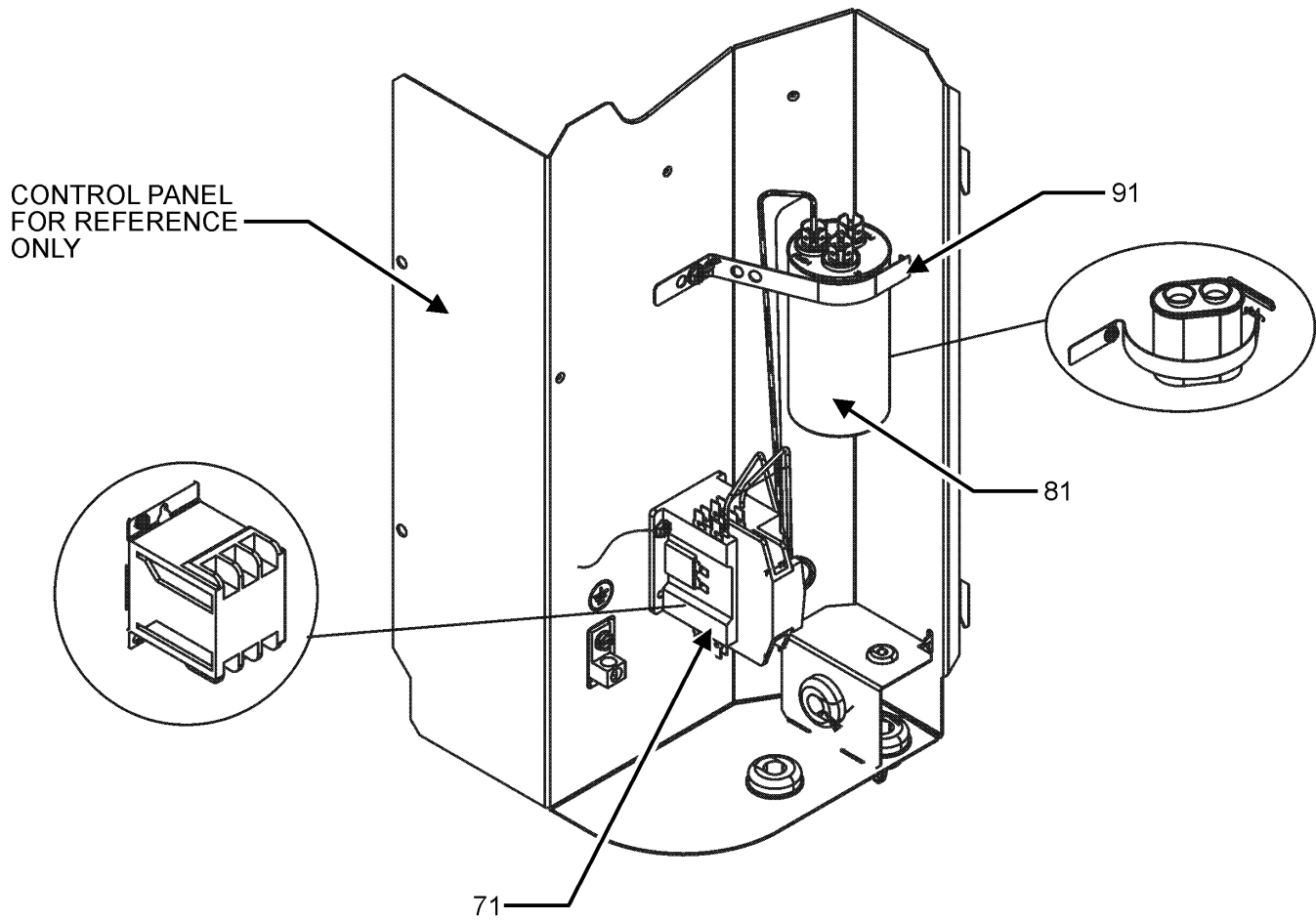
SPECIAL PARTS

0161R00009P NAMEPLATE

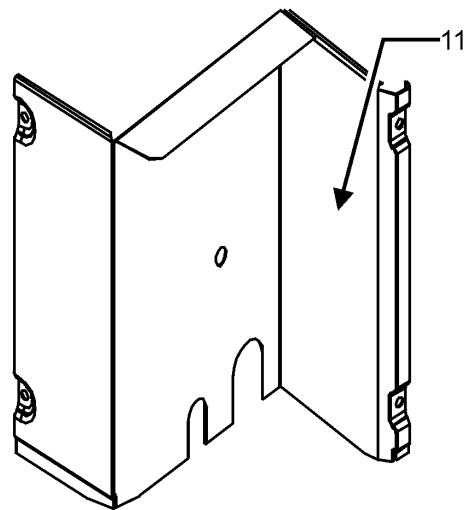
Expanded Model Nomenclature

M1 - GSX130242XCAB
M2 - GSX130242XCAC
M3 - GSX130362XCAB
M4 - GSX130365XCAB
M5 - GSX130485XCAB
M6 - GSX130605XCAB

Control Box Assembly



UPPER ACCESS COVER



LOWER ACCESS PANEL

Control Box Assembly

Ref. Part No:	No:	Description:	Ref. Part No:	No:	Description:
---------------	-----	--------------	---------------	-----	--------------

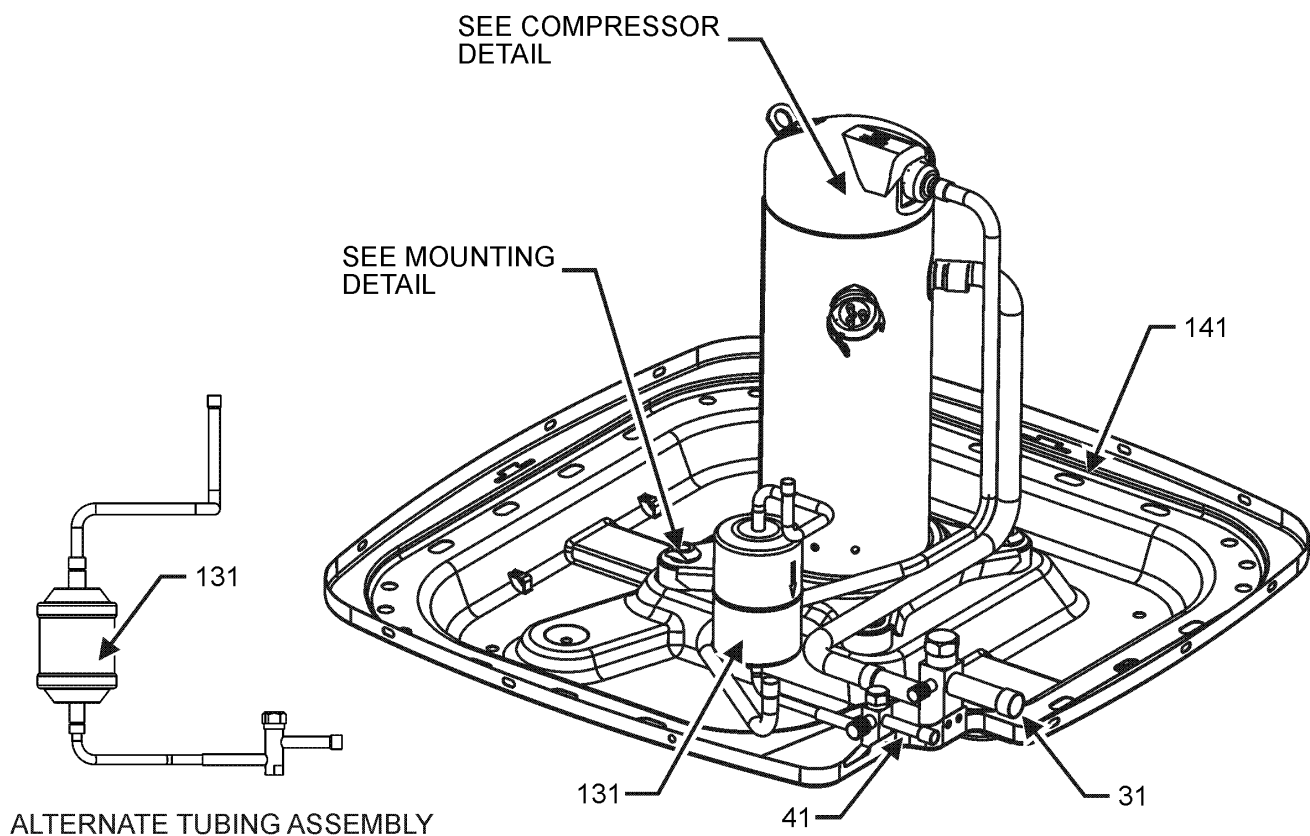
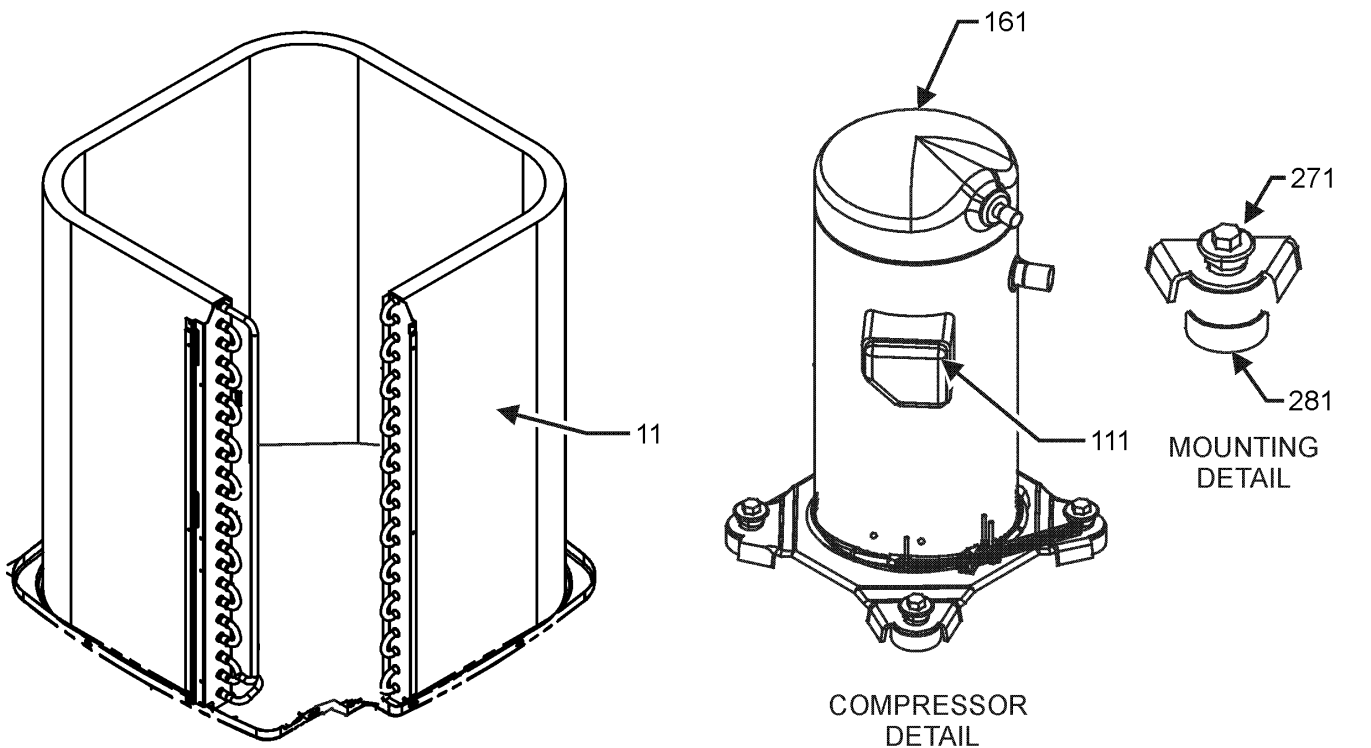
Image 1:

11	0121R00265PDG	LOWER ACCESS PANEL (M1, M2)
11	0121R00319PDG	LOWER ACCESS PANEL (M5, M6)
11	0121R00325PDG	LOWER ACCESS PANEL (M3, M4)
21	0121R00053PDG	CONTROL COVER (M3, M4, M5, M6)
21	0121R00268PDG	CONTROL COVER (M1, M2)
71	CONT1P025024V	CONTACTOR 25 AMP, 1P, 24V (M1, M2, M3)
71	CONT3P025024V	CONTACTOR 25 AMP, 3P, 24V (M4, M5, M6)
81	CAP050600440CT	CAP, 5/60 MFD/440V/DUAL RD (M3)
81	CAP050000370LA	CAPACITOR 5/370V (M4, M5, M6)
81	CAP050400440CT	CAPACITOR 5/40/440V/DUAL RD (M1, M2)
91	4400065	CAPACITOR STRAP
NS	0161R00009P	NAMEPLATE

Expanded Model Nomenclature

M1 - GSX130242XCAB
M2 - GSX130242XCAC
M3 - GSX130362XCAB
M4 - GSX130365XCAB
M5 - GSX130485XCAB
M6 - GSX130605XCAB

Compressor and Tubing Assembly



TUBING ASSEMBLY MAY DIFFER FROM WHAT IS SHOWN

Compressor and Tubing Assembly

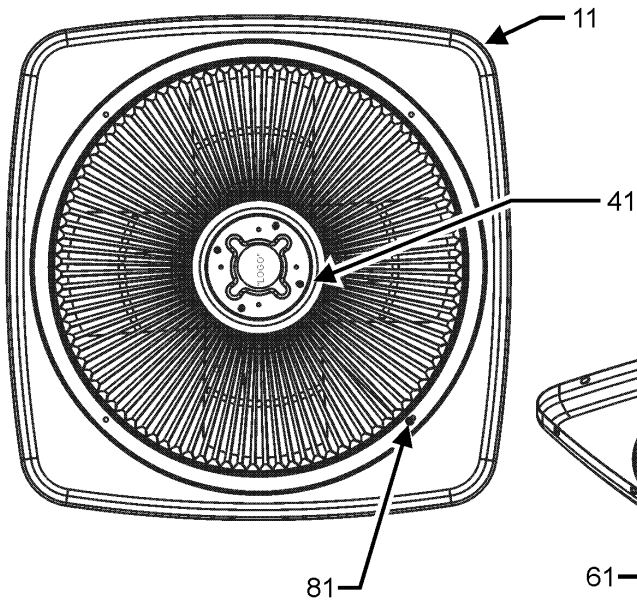
Ref. Part No: No:	Description:	Ref. Part No: No:	Description:
Image 1:			
11	0201R00385		COIL TUBING ASSY (M6)
11	0201R00464		COIL TUBING ASSY (M3, M4)
11	0201R00467		COIL TUBING ASSY (M1, M2)
11	0201R00472		COIL TUBING ASSY (M5)
31	0151R00079		BASE VALVE 3/4" (M1, M2)
31	0151R00080		BASE VALVE 7/8" (M3, M4, M5, M6)
41	0151R00078		BASE VALVE 3/8"
111	0159R00009		COMPRESSOR SCROLL HARNESS
131	0162R00009		FILTER DRIER
141	0121R00006PDG		BASE PAN 29" (M3, M4, M5)
141	0121R00007PDG		BASE PAN 35" (M6)
141	0121R00272PDG		BASE PAN, 23" (M1, M2)
161	ZP25K5EPFJ130		COMP, 20400, 220/240/50/1 (M1, M2)
161	ZP36K5ETFD130		COMP, 29300, 380/420/50/3 (M4)
161	ZP49K5ETFD130		COMP, 40700, 380/420/50/3 (M5)
161	ZP36K5EPFJ130		COMPRESSOR (M3)
161	ZP57K5ETFD130		COMPRESSOR (M6)
271	M0221641		TF SHOULDER SCREW (QTY 4)
281	B1339533		COMPRESSOR GROMMET (QTY 4)
NS	B1789855		FLOW CHECK PISTON KIT .055 (M1, M2)
NS	B1789865		FLOW CHECK PISTON KIT .065 (M3, M4)
NS	B1789876		FLOW CHECK PISTON KIT .076 (M5)
NS	B1789882		FLOW CHECK PISTON KIT .082 (M6)

Expanded Model Nomenclature

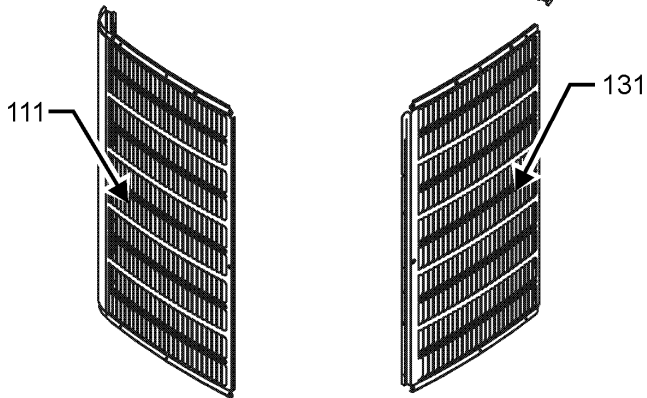
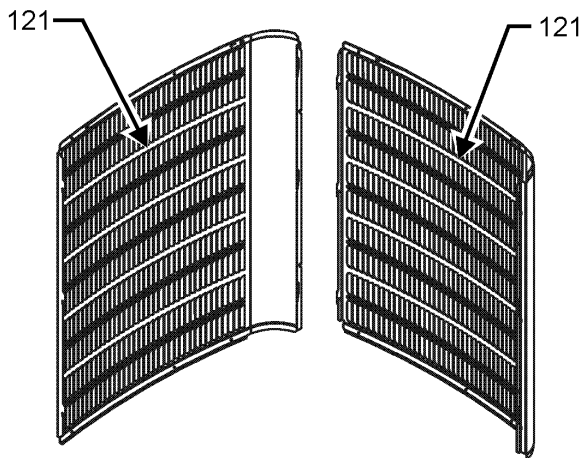
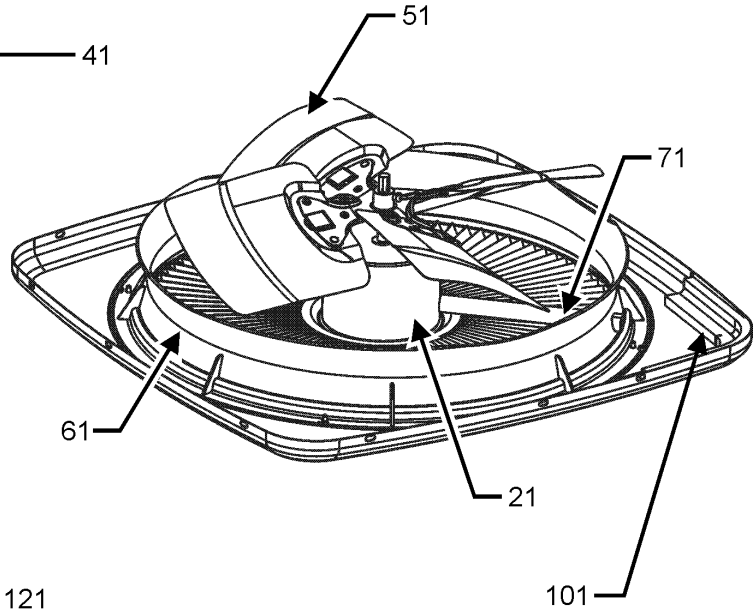
M1 - GSX130242XCAB
M2 - GSX130242XCAC
M3 - GSX130362XCAB
M4 - GSX130365XCAB
M5 - GSX130485XCAB
M6 - GSX130605XCAB

Top and Louver Panel Assembly

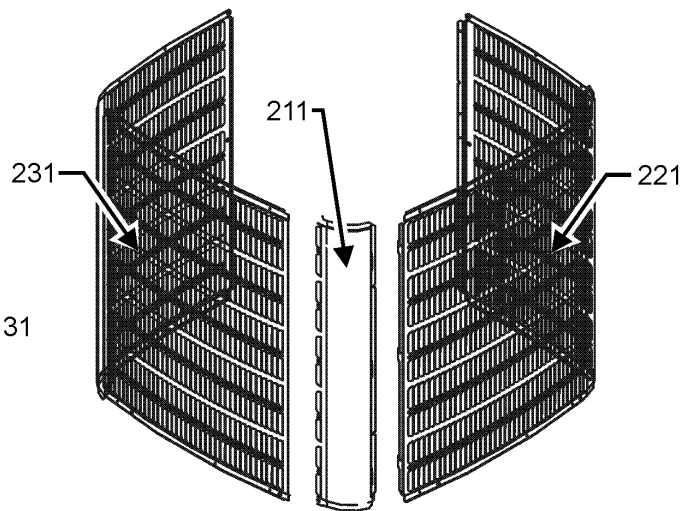
TOP VIEW



BOTTOM VIEW



LOUVER PANEL ASSEMBLY
STYLE 1



LOUVER PANEL ASSEMBLY
STYLE 2

Top and Louver Panel Assembly

Ref. Part No:	Ref. Part No:	Description:	Description:
Image 1:			
11	0121R00270PDG	PANEL, TOP, PNT DG (M1, M2)	
11	0121R00010PDG	TOP PANEL 29" (M3, M4, M5)	
11	0121R00269PDG	Top Panel, 35" Pnt (M6)	
21	B13400249	COND MOTOR 1/3 HP, 460V (M6)	
21	B13400500	COND MOTOR 1/4 HP, 220-240V 50HZ (M1, M2, M3)	
21	B13400269	COND MOTOR 380/460 50/60 CYCLE (M4, M5)	
41	0163M00006P	ACORN NUT 5/16 HEX BLACK (QTY 4)	
51	0150M00008	FAN BLADE 22" TNT2203-25 (M3)	
51	B1086750	FAN BLADE 22", 3 BLADE, 24° (M5)	
51	10625738	FAN BLADE 26" ALUM CCW (M6)	
51	B1086764	FAN BLADE TYPE 2 (M4)	
51	0150M00029	FAN BLADE, 18" (M1, M2)	
61	0161L00000	VENTURI RING 22" (M3)	
61	0161R00007P	VENTURI RING 35" (M6)	
71	0161R00002P	CONDUIT (M3)	
71	0161R00003P	CONDUIT (M4, M5)	
71	0161R00004P	CONDUIT (M6)	
71	0161R00032	CONDUIT (M1, M2)	
81	0163M00003P	SCREW #10 X 1/2, A, SLOT, SR, BLACK (M1, M2, M4, M5)	
81	0163M00004	SCREW #10X3/4", BLACK (M3, M6)	
101	0154R00006	GASKET, CONTROL PANEL (M3, M4, M5, M6)	
111	0121R00231PDGB	LOUVERED SIDE PANEL (M6)	
121	0121R00228PDGB	LOUVERED SIDE PANEL [LT OF CNTL PNL] (M6)	
131	0121R00234PDG	LOUVERED SIDE PANEL [RT OF CNTL PNL] (M6)	
211	0121R00348PDG	Louver Post, PDG 24.95 (M3, M4)	
211	0121R00352PDG	Louver Post, PDG 32.51 (M5)	
211	0121R00280PDG	POST, LOUVER 23_25.2, PNT DG (M1, M2)	
221	0121R00274PDGRS	Louver Panel, PDG 26"_23.73 (M1, M2)	
221	0121R00340PDGRS	Louver Panel, PDG 29"_32.51 (M3, M4)	
221	0121R00344PDGRS	Louver Panel, PDG 29"_36.30 (M5)	
231	0121R00274PDGLS	Louver Panel, PDG 26"_23.73 (M1, M2)	
231	0121R00340PDGLS	Louver Panel, PDG 29"_32.51 (M3, M4)	
231	0121R00344PDGLS	Louver Panel, PDG 29"_36.30 (M5)	
NS	0121R00297	SHIELD, RAIN (M1, M2)	
NS	0163M00005P	WASHER, BLACK (.50 OD .218D) (M3, M4, M5, M6)	

Expanded Model Nomenclature

M1 - GSX130242XCAB
M2 - GSX130242XCAC
M3 - GSX130362XCAB
M4 - GSX130365XCAB
M5 - GSX130485XCAB
M6 - GSX130605XCAB