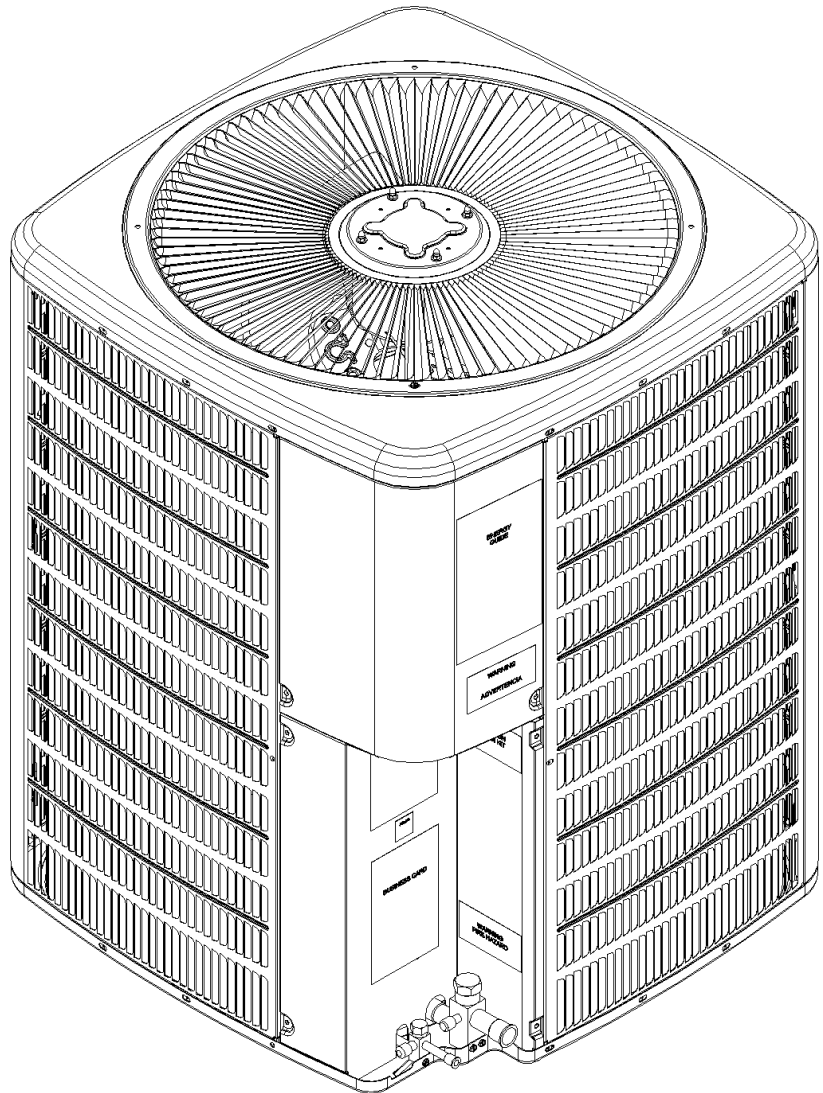


GSX13 Remote Condensing Unit

GSX130241EA
GSX130241EB
GSX130241EC
GSX130301BE
GSX130301BF
GSX130361ED
GSX130421BE
GSX130481BE
GSX130601BD



This manual is to be used by qualified technicians only.

This manual replaces RP-878C.

© 2016 Goodman Manufacturing Company, L.P. ♦ 5151 San Felipe St., Suite 500 ♦ Houston, TX 77056

Important Information

Index

Functional Parts List	3
Illustration and Parts	4 - 9

Views shown are for parts illustrations only, not servicing procedures

Text Codes:

AR - As Required

NA - Not Available

NS - Not Shown

00000000 - See Note

QTY - Quantity Example (QTY 3) (If Quantity not shown, Quantity = 1)

M - Model Example (M1) (If M Code not shown, then part is used on all Models)

Expanded Model Nomenclature:

Example M1 - Model#1 M2 - Model#2 M3 - Model#3

Goodman Manufacturing Company, L.P. is not responsible for personal injury or property damage resulting from improper service. Review all service information before beginning repairs.

Warranty service must be performed by an authorized technician, using authorized factory parts. If service is required after the warranty expires, Goodman Manufacturing Company, L.P. also recommends contacting an authorized technician and using authorized factory parts.

Goodman Manufacturing Company, L.P. reserves the right to discontinue, or change at any time, specifications or designs without notice or without incurring obligations.

For assistance within the U.S.A. contact:
Homeowner Support
Goodman Manufacturing Company, L.P.
19001 Kermier Road
Waller, Texas 77484
877-254-4729-Telephone
713-863-2382-Facsimile

For assistance outside the U.S.A. contact:
International Division
Goodman Manufacturing Company, L.P.
19001 Kermier Road
Waller, Texas 77484
713-861-2500-Telephone
713-863-2382-Facsimile

Functional Parts

Part

No: Description:

50N492ZV-ZAKM	2.0TONRECHI COMPR.4 LEGS (M1, M2, M3)
B12825171	3/8" SERVICE VALVE
CAP050400440CT	CAPACITOR 5/40/440V/DUAL RD (M4, M5)
CAP050450440CT	CAPACITOR 5/45/440V/DUAL RD (M1, M2, M3, M6, M7, M8)
CAP050700440CT	CAPACITOR 5/70/440V/DUAL RD (M9)
ZP24K5EPFV130	COMP,24000,208/230/60/1 (M4, M5)
ZP29K5EPFV130	COMP,29000,208/230/60/1 (M6)
ZP49K5EPFV130	COMP,49400,208/230/60/1 (M9)
ZP34K5EPFV130	COMPRESSOR 34500, 208/230/60/1 (M7)
ZP39K5EPFV130	COMPRESSOR 39000, 208/230/60/1 (M8)
0131M00018P	COND MOTOR 1/4 HP, 1 SP, 6 PL (M6, M7, M8, M9)
0131M00294	COND MOTOR, 1/8HP, ISP, 6PL (M1, M2, M4)
CONT1P025024V	CONTACTOR 25 AMP, 1P, 24V (M1, M2, M3, M4, M5, M6, M7)
CONT1P030024V	CONTACTOR 30 AMP, 1P, 24V (M8, M9)
0130M00089	CUT-OUT SWITCH, HIGH PRESSURE (M1, M2, M3)
0150M00041	FAN BLADE (M6)
0150M00018	FAN BLADE 20" (M1, M2, M3, M4, M5)
B1086750	FAN BLADE 22", 3 BLADE, 24° (M7, M8, M9)
0131M00800	MOTOR, 1/8HP, 1SP, 6PL, AL (M3, M5)
0151R00032	VALVE, BASE 3/4" OPEN LEFT (M1, M2, M3, M4, M5, M6)
0151R00033	VALVE, SERVICE 7/8" OPEN LEFT (M7, M8, M9)

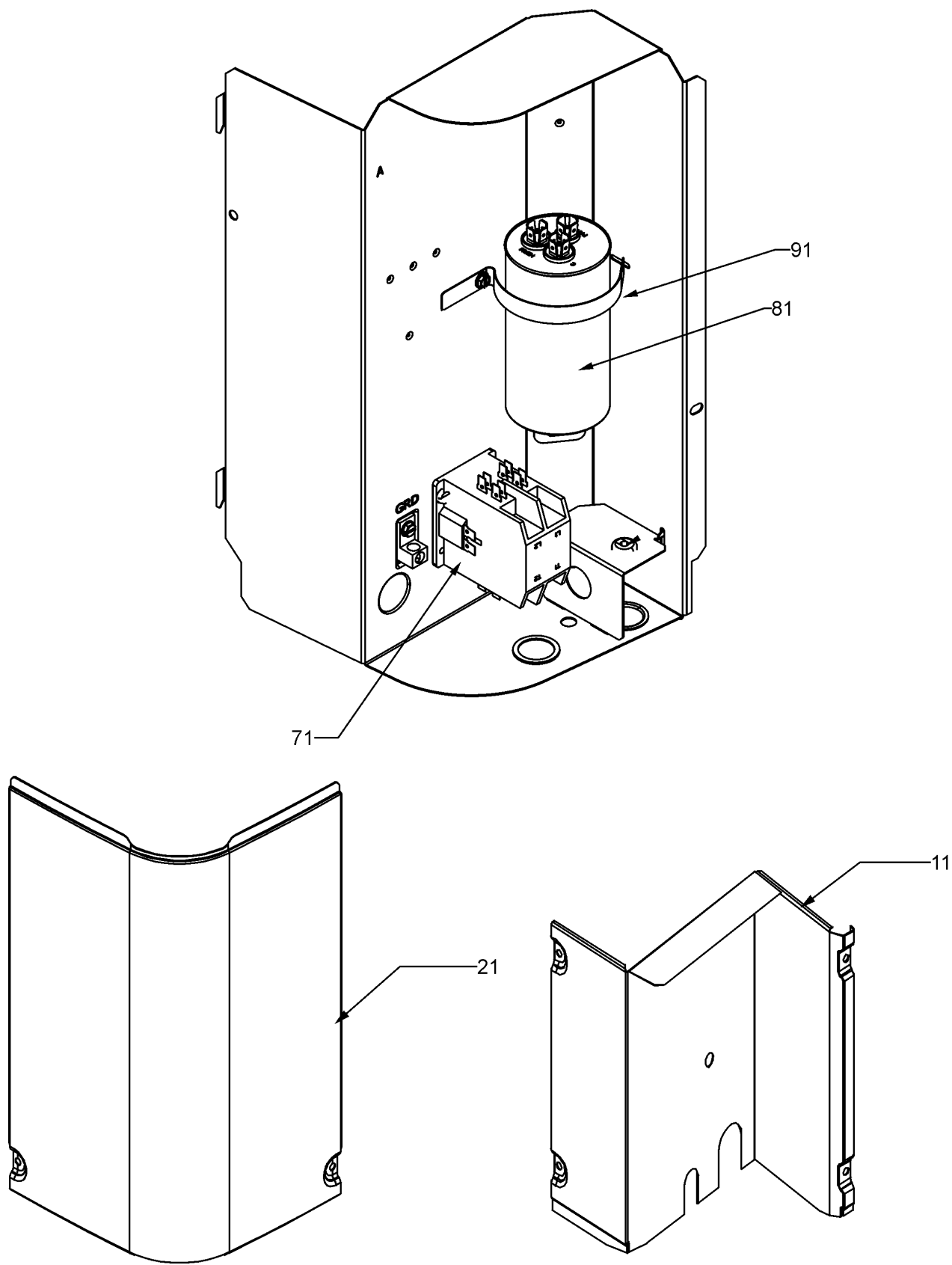
SPECIAL PARTS

0161R00009P NAMEPLATE

Expanded Model Nomenclature

M1 - GSX130241EA
M2 - GSX130241EB
M3 - GSX130241EC
M4 - GSX130301BE
M5 - GSX130301BF
M6 - GSX130361ED
M7 - GSX130421BE
M8 - GSX130481BE
M9 - GSX130601BD

Control Box Assy



Control Box Assy

Ref. Part No: No:	Description:	Ref. Part No: No:	Description:
-------------------	--------------	-------------------	--------------

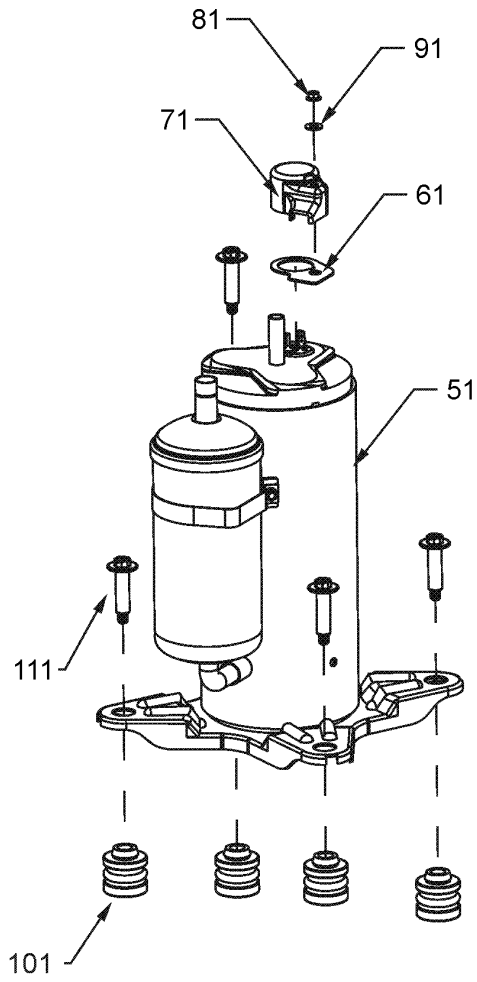
Image 1:

11	0121R00316PDG	LOWER ACCESS PANEL (M9)
11	0121R00319PDG	LOWER ACCESS PANEL (M7, M8)
11	0121R00326PDG	LOWER ACCESS PANEL (M1, M2, M3, M4, M5, M6)
21	0121R00053PDG	CONTROL COVER
71	CONT1P025024V	CONTACTOR 25 AMP, 1P, 24V (M1, M2, M3, M4, M5, M6, M7)
71	CONT1P030024V	CONTACTOR 30 AMP, 1P, 24V (M8, M9)
81	CAP050400440CT	CAPACITOR 5/40/440V/DUAL RD (M4, M5)
81	CAP050450440CT	CAPACITOR 5/45/440V/DUAL RD (M1, M2, M3, M6, M7, M8)
81	CAP050700440CT	CAPACITOR 5/70/440V/DUAL RD (M9)
91	4400065	CAPACITOR STRAP
NS	0161R00009P	NAMEPLATE

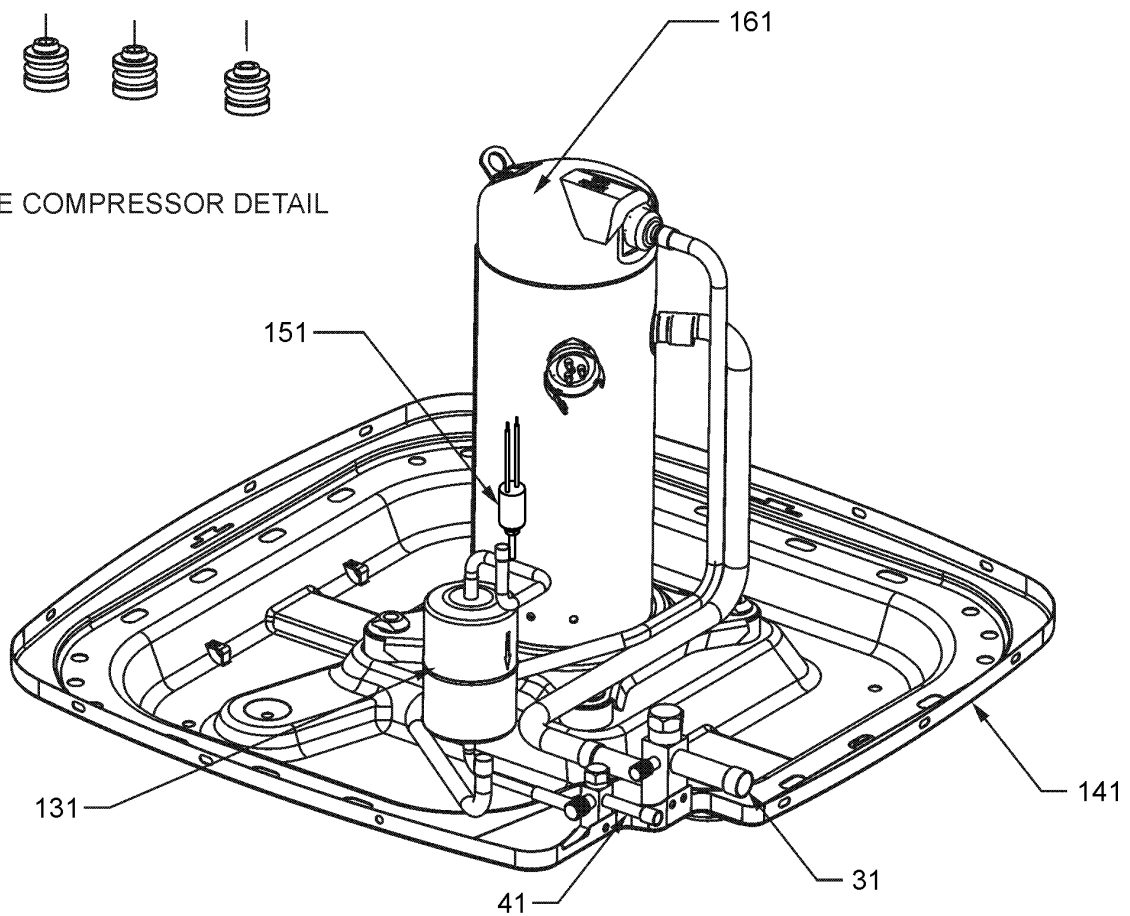
Expanded Model Nomenclature

M1 - GSX130241EA
M2 - GSX130241EB
M3 - GSX130241EC
M4 - GSX130301BE
M5 - GSX130301BF
M6 - GSX130361ED
M7 - GSX130421BE
M8 - GSX130481BE
M9 - GSX130601BD

Compressor and Tubing Assy



ALTERNATE COMPRESSOR DETAIL



Compressor and Tubing Assy

Ref. Part No: No:	Description:	Ref. Part No: No:	Description:
-------------------	--------------	-------------------	--------------

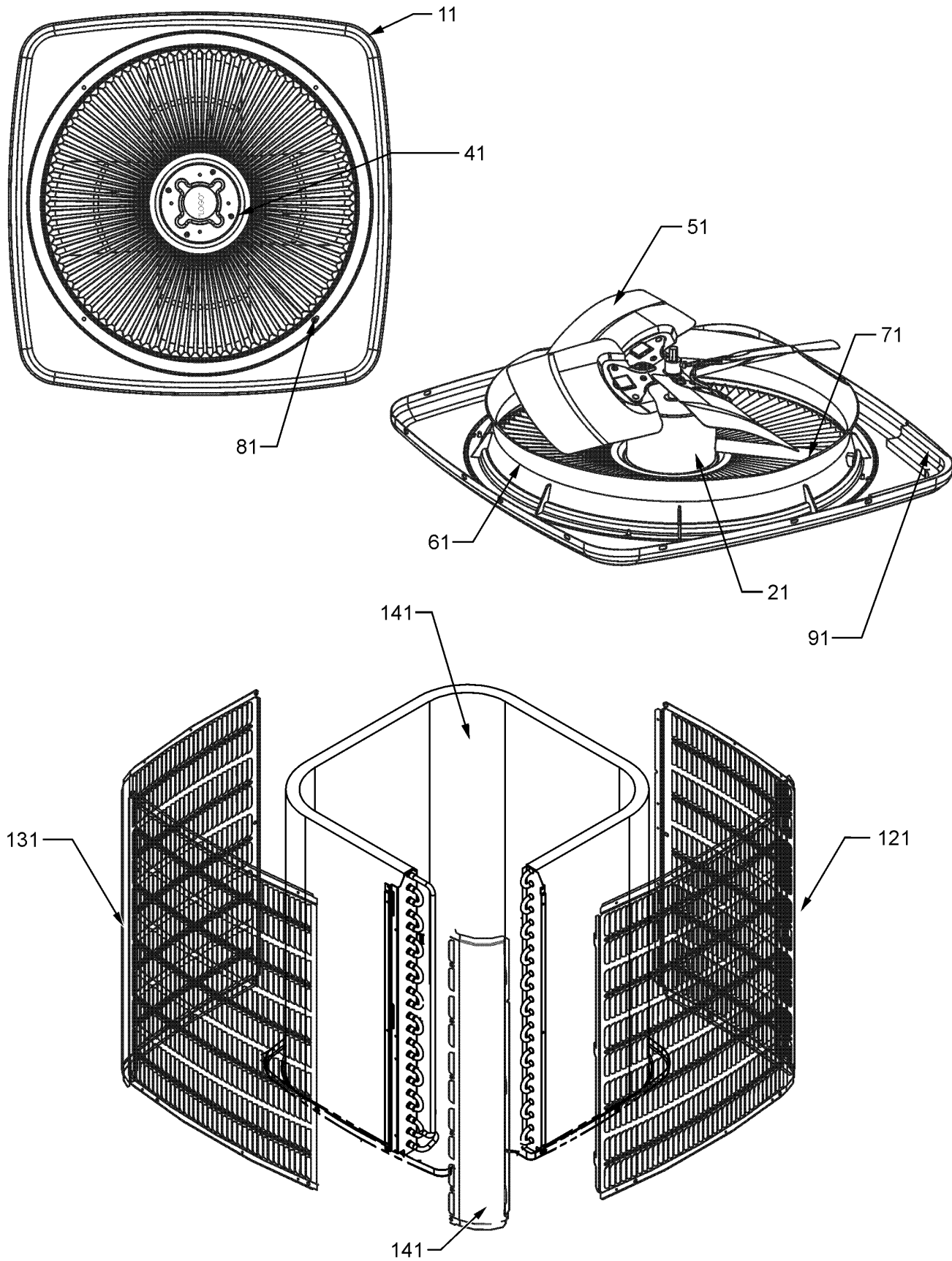
Image 1:

31	0151R00032	VALVE, BASE 3/4" OPEN LEFT (M1, M2, M3, M4, M5, M6)
31	0151R00033	VALVE, SERVICE 7/8" OPEN LEFT (M7, M8, M9)
41	B12825171	3/8" SERVICE VALVE
51	50N492ZV-ZAKM	2.0TONRECHI COMPR.4 LEGS (M1, M2, M3)
61	60100107	TERMINAL COVER GASKET (M1, M2, M3)
71	60100317	TERMINAL COVER (M1, M2, M3)
81	60100401	TERMINAL NUT - RECHI COMP (M1, M2, M3)
91	60100201	WASHER - RECHI COMPRESSOR (M1, M2, M3)
101	B1339533	COMPRESSOR GROMMET (M4, M5, M6, M7, M8, M9)
101	60140209	GROMMET - RECHI COMPRESSOR (M1, M2, M3)
111	0163M00186	TF SHOULDER SCREW (M1, M2, M3)
111	M0221641	TF SHOULDER SCREW (M4, M5, M6, M7, M8, M9)
131	0162R00009	FILTER DRIER
141	0121R00005PDG	BASE PAN 26" (M1, M2, M3, M4, M5, M6)
141	0121R00006PDG	BASE PAN 29" (M7, M8, M9)
151	0130M00089	CUT-OUT SWITCH, HIGH PRESSURE (M1, M2, M3)
161	ZP24K5EPFV130	COMP,24000,208/230/60/1 (M4, M5)
161	ZP29K5EPFV130	COMP,29000,208/230/60/1 (M6)
161	ZP49K5EPFV130	COMP,49400,208/230/60/1 (M9)
161	ZP34K5EPFV130	COMPRESSOR 34500, 208/230/60/1 (M7)
161	ZP39K5EPFV130	COMPRESSOR 39000, 208/230/60/1 (M8)
NS	0159R00000P	COMPRESSOR SCROLL HARNESS (M4, M5, M6)
NS	0159R00001P	COMPRESSOR SCROLL HARNESS (M7, M8)
NS	0159R00002P	COMPRESSOR SCROLL HARNESS (M9)
NS	B1789886	FLOW CHECK PISTON KIT (M9)
NS	B1789855	FLOW CHECK PISTON KIT .055 (M1, M2, M3)
NS	B1789861	FLOW CHECK PISTON KIT .061 (M4, M5)
NS	B1789870	FLOW CHECK PISTON KIT .070 (M6)
NS	B1789876	FLOW CHECK PISTON KIT .076 (M7)
NS	B1789880	FLOW CHECK PISTON KIT .080 (M8)

Expanded Model Nomenclature

- | |
|------------------|
| M1 - GSX130241EA |
| M2 - GSX130241EB |
| M3 - GSX130241EC |
| M4 - GSX130301BE |
| M5 - GSX130301BF |
| M6 - GSX130361ED |
| M7 - GSX130421BE |
| M8 - GSX130481BE |
| M9 - GSX130601BD |

Cabinet Top and Side Panel Assy



Cabinet Top and Side Panel Assy

Ref. Part No: No:	Description:	Ref. Part No: No:	Description:
Image 1:			
11	0121R00008PDG		TOP PANEL 26" (M1, M2, M3, M4, M5, M6)
11	0121R00010PDG		TOP PANEL 29" (M7, M8, M9)
21	0131M00018P		COND MOTOR 1/4 HP, 1 SP, 6 PL (M6, M7, M8,
21	0131M00294		COND MOTOR, 1/8HP, ISP, 6PL (M1, M2, M4)
21	0131M00800		MOTOR, 1/8HP, 1SP, 6PL, AL (M3, M5)
41	0163M00006P		ACORN NUT 5/16 HEX BLACK (QTY 4)
51	0150M00041		FAN BLADE (M6)
51	0150M00018		FAN BLADE 20" (M1, M2, M3, M4, M5)
51	B1086750		FAN BLADE 22", 3 BLADE, 24° (M7, M8, M9)
61	0161L00000		VENTURI RING 22" (M7, M8, M9)
71	0161R00001P		CONDUIT (M1, M2, M3, M4, M5, M6)
81	0163M00004		SCREW #10X3/4", BLACK (M7, M8, M9)
91	0154R00006		GASKET, CONTROL PANEL
111	0121R00347PDG		Louver Post, PDG 23.73 (M1, M2, M3, M4, M5, M6)
111	0121R00352PDG		Louver Post, PDG 32.51 (M7, M8)
111	0121R00354PDG		Louver Post, PDG 36.30 (M9)
121	0121R00336PDGRS		Louver Panel, PDG 26"_23.73 (M1, M2, M3, M4, M5, M6)
121	0121R00344PDGRS		Louver Panel, PDG 29"_32.51 (M7, M8)
121	0121R00346PDGRS		Louver Panel, PDG 29"_36.30 (M9)
131	0121R00336PDGLS		Louver Panel, PDG 26"_23.73 (M1, M2, M3, M4, M5, M6)
131	0121R00344PDGLS		Louver Panel, PDG 29"_32.51 (M7, M8)
131	0121R00346PDGLS		Louver Panel, PDG 29"_36.30 (M9)
141	0201R00349		COIL TUBING ASSY (M9)
141	0201R00458		COIL TUBING ASSY (M4, M5, M6)
141	0201R00472		COIL TUBING ASSY (M7, M8)
141	0201R00510		COIL TUBING ASSY (M1, M2, M3)
NS	0163M00005P		WASHER, BLACK (.50 OD .218D) (QTY 4)

Expanded Model Nomenclature

M1 - GSX130241EA
M2 - GSX130241EB
M3 - GSX130241EC
M4 - GSX130301BE
M5 - GSX130301BF
M6 - GSX130361ED
M7 - GSX130421BE
M8 - GSX130481BE
M9 - GSX130601BD