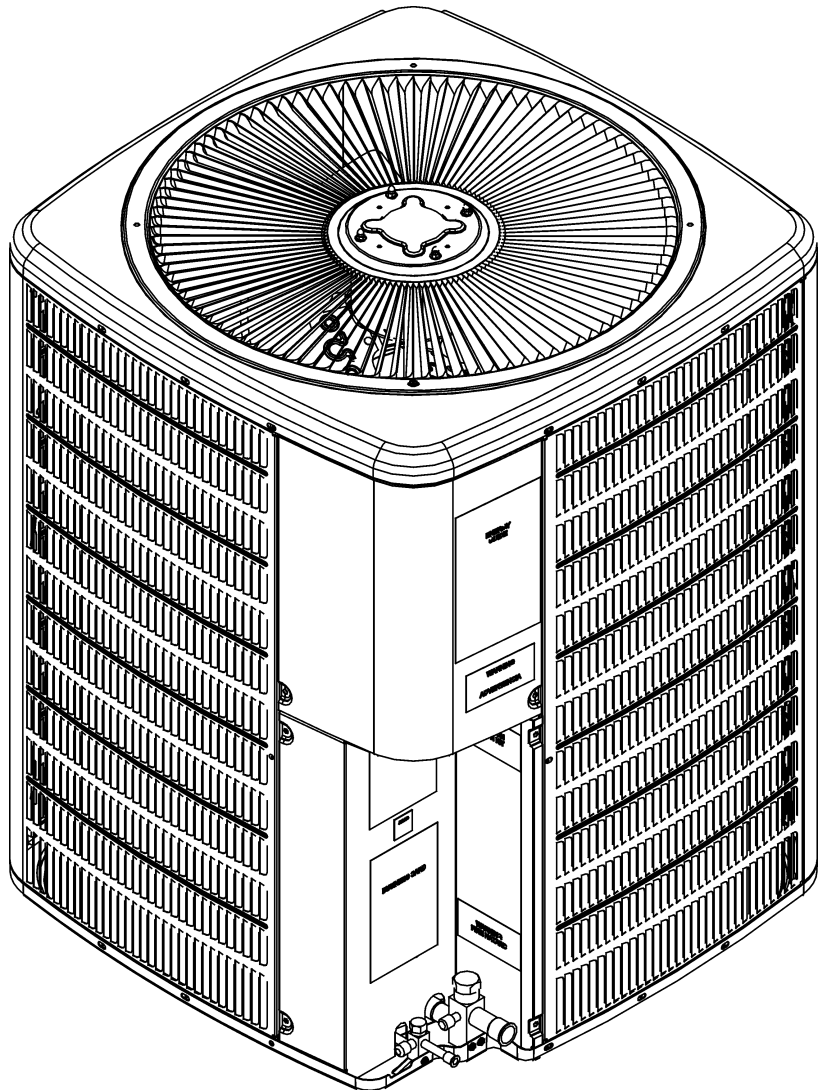


GSX13 Remote Condensing Unit [EXPORT]

GSX130242XCAA
GSX130242XKAA
GSX130362XCAA
GSX130362XKAA
GSX130365XCAA
GSX130365XKAA
GSX130485XCAA
GSX130485XKAA
GSX130605XCAA
GSX130605XKAA



This manual is to be used by qualified technicians only.

This manual replaces RP-G4009.

Important Information

Index

Functional Parts List	3
Illustration and Parts	4 - 9

Views shown are for parts illustrations only, not servicing procedures

Text Codes:

AR - As Required

NA - Not Available

NS - Not Shown

00000000 - See Note

QTY - Quantity Example (QTY 3) (If Quantity not shown, Quantity = 1)

M - Model Example (M1) (If M Code not shown, then part is used on all Models)

Expanded Model Nomenclature:

Example M1 - Model#1 M2 - Model#2 M3 - Model#3

Goodman Manufacturing Company, L.P. is not responsible for personal injury or property damage resulting from improper service. Review all service information before beginning repairs.

Warranty service must be performed by an authorized technician, using authorized factory parts. If service is required after the warranty expires, Goodman Manufacturing Company, L.P. also recommends contacting an authorized technician and using authorized factory parts.

Goodman Manufacturing Company, L.P. reserves the right to discontinue, or change at any time, specifications or designs without notice or without incurring obligations.

For assistance within the U.S.A. contact:
Homeowner Support
Goodman Manufacturing Company, L.P.
19001 Kermier Road
Waller, Texas 77484
877-254-4729-Telephone
713-863-2382-Facsimile

For assistance outside the U.S.A. contact:
International Division
Goodman Manufacturing Company, L.P.
19001 Kermier Road
Waller, Texas 77484
713-861-2500-Telephone
713-863-2382-Facsimile

Functional Parts

Part

No: Description:

0151R00079	BASE VALVE 3/4" (M1, M2)
0151R00078	BASE VALVE 3/8"
0151R00080	BASE VALVE 7/8" (M3, M4, M5, M6, M7, M8, M9, M10)
CAP050600440CT	CAP, 5/60 MFD/440V/DUAL RD (M3, M4)
CAP050000370LA	CAPACITOR 5/370V (M5, M6, M7, M8, M9, M10)
CAP050400440CT	CAPACITOR 5/40/440V/DUAL RD (M1, M2)
ZP25K5EPFJ130	COMP, 20400, 220/240/50/1 (M1, M2)
ZP36K5ETFD130	COMP, 29300, 380/420/50/3 (M5, M6)
ZP49K5ETFD130	COMP, 40700, 380/420/50/3 (M7, M8)
ZP57K5ETFD130	COMPRESSOR (M9, M10)
ZP36K5EPFJ130	COMPRESSOR (M3, M4)
B13400249	COND MOTOR 1/3 HP, 460V (M9, M10)
B13400500	COND MOTOR 1/4 HP, 220-240V 50HZ (M1, M2, M3, M4)
B13400269	COND MOTOR 380/460 50/60 CYCLE (M5, M6, M7, M8)
CONT1P025024V	CONTACTOR 25 AMP, 1P, 24V (M1, M2, M3, M4)
CONT3P025024V	CONTACTOR 25 AMP, 3P, 24V (M5, M6, M7, M8, M9, M10)
0150M00001P	FAN BLADE 20 INCH (M2)
0150M00008	FAN BLADE 22" TNT2203-25 (M3, M4)
B1086750	FAN BLADE 22", 3 BLADE, 24° (M7)
10625738	FAN BLADE 26" ALUM CCW (M8, M9, M10)
B1086764	FAN BLADE TYPE 2 (M5, M6)
0150M00029	FAN BLADE, 18" (M1)

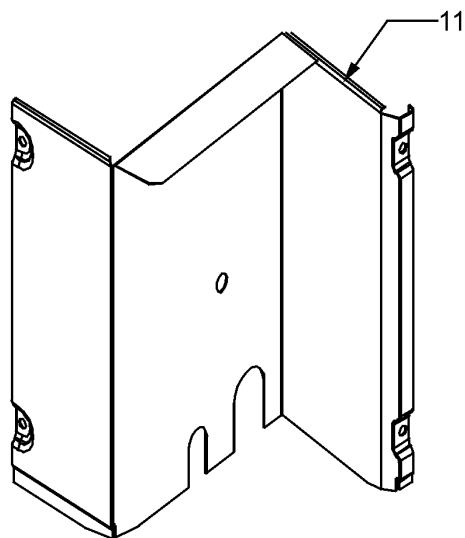
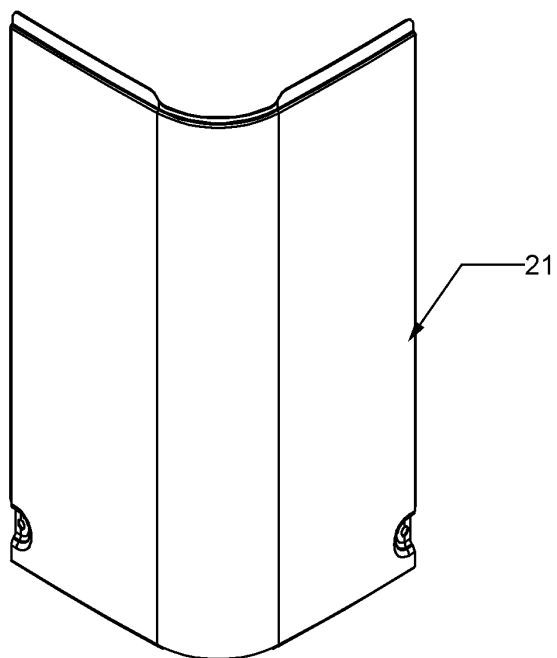
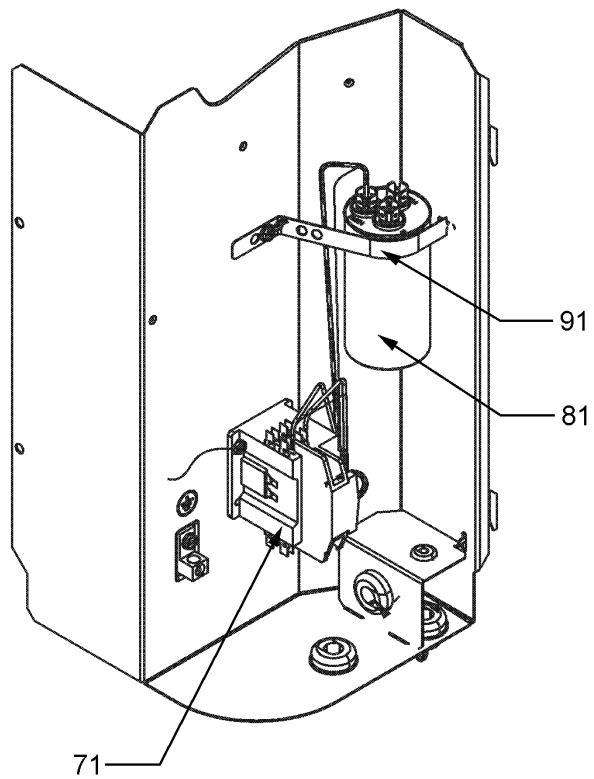
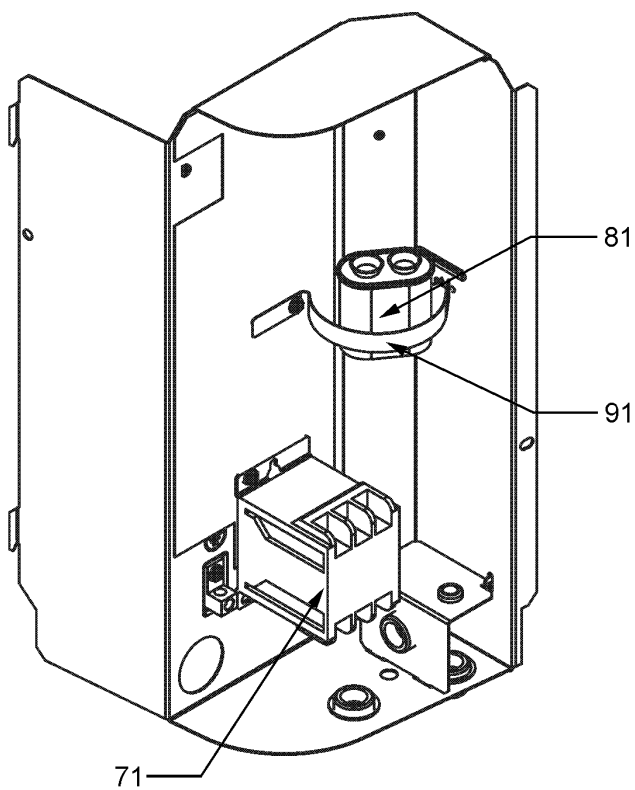
SPECIAL PARTS

0161R00009P NAMEPLATE

Expanded Model Nomenclature

M1 - GSX130242XCAA
M2 - GSX130242XKAA
M3 - GSX130362XCAA
M4 - GSX130362XKAA
M5 - GSX130365XCAA
M6 - GSX130365XKAA
M7 - GSX130485XCAA
M8 - GSX130485XKAA
M9 - GSX130605XCAA
M10 - GSX130605XKAA

Control Box Assembly



Control Box Assembly

Ref. Part No:	Part No:	Description:	Ref. Part No:	Part No:	Description:
---------------	----------	--------------	---------------	----------	--------------

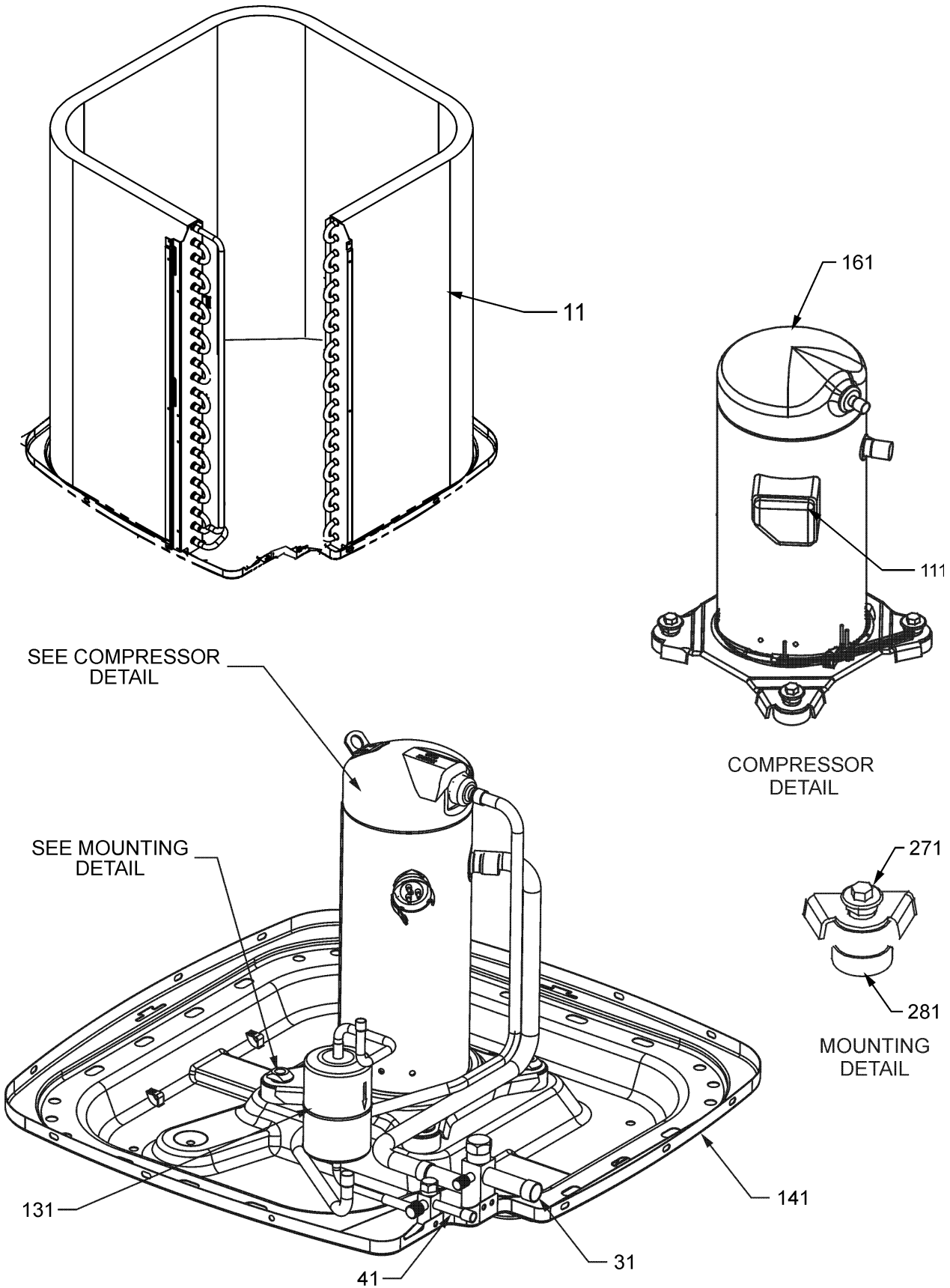
Image 1:

11	0121R00265PDG	LOWER ACCESS PANEL (M1)
11	0121R00319PDG	LOWER ACCESS PANEL (M7, M8, M9, M10)
11	0121R00325PDG	LOWER ACCESS PANEL (M3, M4, M5, M6)
11	0121R00326PDG	LOWER ACCESS PANEL (M2)
21	0121R00053PDG	CONTROL COVER (M2, M3, M4, M5, M6, M7, M8, M9, M10)
21	0121R00268PDG	CONTROL COVER (M1)
71	CONT1P025024V	CONTACTOR 25 AMP, 1P, 24V (M1, M2, M3, M4)
71	CONT3P025024V	CONTACTOR 25 AMP, 3P, 24V (M5, M6, M7, M8, M9, M10)
81	CAP050600440CT	CAP, 5/60 MFD/440V/DUAL RD (M3, M4)
81	CAP050000370LA	CAPACITOR 5/370V (M5, M6, M7, M8, M9, M10)
81	CAP050400440CT	CAPACITOR 5/40/440V/DUAL RD (M1, M2)
91	4400065	CAPACITOR STRAP (M2, M3, M4, M5, M6, M7, M8, M9, M10)
NS	0161R00009P	NAMEPLATE
NS	0121R00297	SHIELD, RAIN (M1)

Expanded Model Nomenclature

M1 - GSX130242XCAA
M2 - GSX130242XKAA
M3 - GSX130362XCAA
M4 - GSX130362XKAA
M5 - GSX130365XCAA
M6 - GSX130365XKAA
M7 - GSX130485XCAA
M8 - GSX130485XKAA
M9 - GSX130605XCAA
M10 - GSX130605XKAA

Compressor and Tubing Assembly



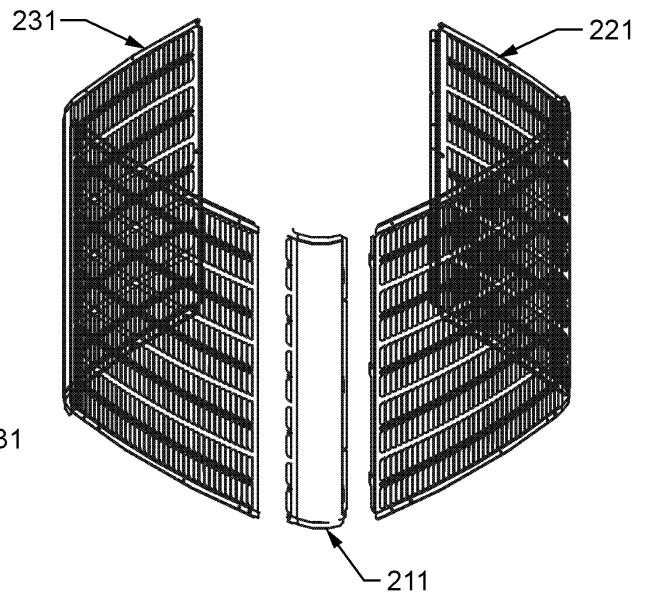
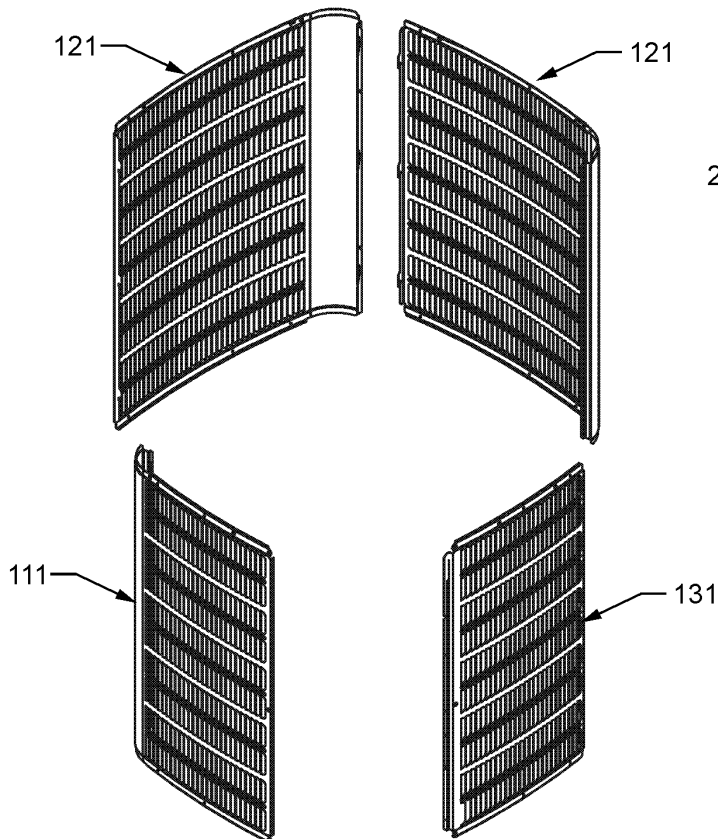
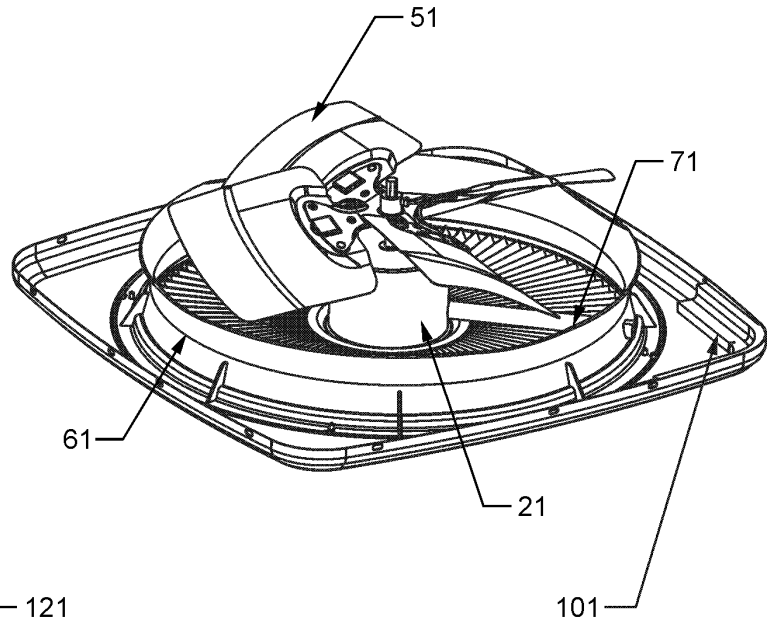
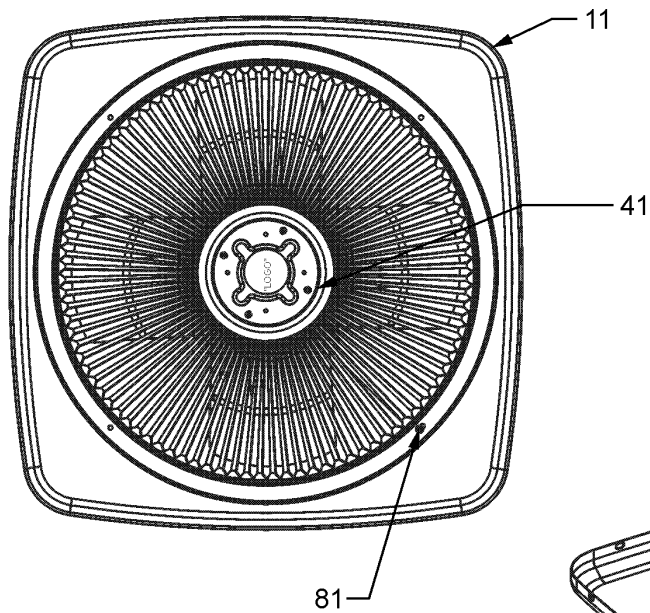
Compressor and Tubing Assembly

Ref. Part No: No:	Description:	Ref. Part No: No:	Description:
Image 1:			
11	0201R00385		COIL TUBING ASSY (M8, M9, M10)
11	0201R00458		COIL TUBING ASSY (M2)
11	0201R00464		COIL TUBING ASSY (M3, M4, M5, M6)
11	0201R00467		COIL TUBING ASSY (M1)
11	0201R00472		COIL TUBING ASSY (M7)
31	0151R00079		BASE VALVE 3/4" (M1, M2)
31	0151R00080		BASE VALVE 7/8" (M3, M4, M5, M6, M7, M8, M9, M10)
41	0151R00078		BASE VALVE 3/8"
111	0159R00009		COMPRESSOR SCROLL HARNESS
131	0162R00009		FILTER DRIER
141	0121R00005PDG		BASE PAN 26" (M2)
141	0121R00006PDG		BASE PAN 29" (M3, M4, M5, M6, M7)
141	0121R00007PDG		BASE PAN 35" (M8, M9, M10)
141	0121R00272PDG		BASE PAN, 23" (M1)
161	ZP25K5EPFJ130		COMP, 20400, 220/240/50/1 (M1, M2)
161	ZP36K5ETFD130		COMP, 29300, 380/420/50/3 (M5, M6)
161	ZP49K5ETFD130		COMP, 40700, 380/420/50/3 (M7, M8)
161	ZP36K5EPFJ130		COMPRESSOR (M3, M4)
161	ZP57K5ETFD130		COMPRESSOR (M9, M10)
271	M0221641		TF SHOULDER SCREW (QTY 4)
281	B1339533		COMPRESSOR GROMMET (QTY 4)
NS	B1789872		FLOW CHECK PISTON KIT (M4, M6)
NS	B1789855		FLOW CHECK PISTON KIT .055 (M1, M2)
NS	B1789865		FLOW CHECK PISTON KIT .065 (M3, M5)
NS	B1789876		FLOW CHECK PISTON KIT .076 (M7)
NS	B1789880		FLOW CHECK PISTON KIT .080 (M8)
NS	B1789882		FLOW CHECK PISTON KIT .082 (M9)
NS	B1789884		FLOW CHECK PISTON KIT .084 (M10)

Expanded Model Nomenclature

M1 - GSX130242XCAA
M2 - GSX130242XKAA
M3 - GSX130362XCAA
M4 - GSX130362XKAA
M5 - GSX130365XCAA
M6 - GSX130365XKAA
M7 - GSX130485XCAA
M8 - GSX130485XKAA
M9 - GSX130605XCAA
M10 - GSX130605XKAA

Top and Louver Assembly



Top and Louver Assembly

Ref. Part No:	Ref. Part No:	Description:	Description:
Image 1:			
11	0121R00270PDG	PANEL, TOP, PNT DG (M1)	
11	0121R00008PDG	TOP PANEL 26" (M2)	
11	0121R00010PDG	TOP PANEL 29" (M3, M4, M5, M6, M7)	
11	0121R00269PDG	Top Panel, 35" Pnt (M8, M9, M10)	
21	B13400249	COND MOTOR 1/3 HP, 460V (M9, M10)	
21	B13400500	COND MOTOR 1/4 HP, 220-240V 50HZ (M1, M2, M3, M4)	
21	B13400269	COND MOTOR 380/460 50/60 CYCLE (M5, M6, M7, M8)	
41	0163M00006P	ACORN NUT 5/16 HEX BLACK (QTY 4)	
51	0150M00001P	FAN BLADE 20 INCH (M2)	
51	0150M00008	FAN BLADE 22" TNT2203-25 (M3, M4)	
51	B1086750	FAN BLADE 22", 3 BLADE, 24° (M7)	
51	10625738	FAN BLADE 26" ALUM CCW (M8, M9, M10)	
51	B1086764	FAN BLADE TYPE 2 (M5, M6)	
51	0150M00029	FAN BLADE, 18" (M1)	
61	0161L00000	VENTURI RING 22" (M3, M4)	
61	0161R00007P	VENTURI RING 35" (M8, M9, M10)	
71	0161R00001P	CONDUIT (M2)	
71	0161R00002P	CONDUIT (M3, M4)	
71	0161R00003P	CONDUIT (M5, M6, M7)	
71	0161R00004P	CONDUIT (M8, M9, M10)	
71	0161R00032	CONDUIT (M1)	
81	0163M00003P	SCREW #10 X 1/2, A, SLOT, SR, BLACK (M1, M2, M5, M6, M7)	
81	0163M00004	SCREW #10X3/4", BLACK (M3, M4, M8, M9, M10)	
101	0154R00006	GASKET, CONTROL PANEL (M2, M3, M4, M5, M6, M7, M8, M9, M10)	
111	0121R00231PDGB	LOUVERED SIDE PANEL (M8, M9, M10)	
121	0121R00228PDGB	LOUVERED SIDE PANEL [LT OF CNTL PNL] (M8, M9, M10)	
131	0121R00234PDG	LOUVERED SIDE PANEL [RT OF CNTL PNL] (M8, M9, M10)	
211	0121R00348PDG	Louver Post, PDG 24.95 (M3, M4, M5, M6)	
211	0121R00352PDG	Louver Post, PDG 32.51 (M7)	
211	0121R00280PDG	POST, LOUVER 23_25.2, PNT DG (M1)	
221	0121R00274PDGRS	Louver Panel, PDG 26"_23.73 (M1)	
221	0121R00340PDGRS	Louver Panel, PDG 29"_32.51 (M3, M4, M5, M6)	
221	0121R00344PDGRS	Louver Panel, PDG 29"_36.30 (M7)	
231	0121R00274PDGLS	Louver Panel, PDG 26"_23.73 (M1)	
231	0121R00340PDGLS	Louver Panel, PDG 29"_32.51 (M3, M4, M5, M6)	
231	0121R00344PDGLS	Louver Panel, PDG 29"_36.30 (M7)	
NS	0163M00005P	WASHER, BLACK (.50 OD .218D) (QTY 4)	

Expanded Model Nomenclature

M1 - GSX130242XCAA
M2 - GSX130242XKAA
M3 - GSX130362XCAA
M4 - GSX130362XKAA
M5 - GSX130365XCAA
M6 - GSX130365XKAA
M7 - GSX130485XCAA
M8 - GSX130485XKAA
M9 - GSX130605XCAA
M10 - GSX130605XKAA