

GSX13 Remote Condensing Units

GSX130242AC



This manual is to be used by qualified technicians only.

© 2017 Goodman Manufacturing Company, L.P. ♦ 5151 San Felipe St., Suite 500 ♦ Houston, TX 77056

Important Information

Index

Functional Parts List	3
Illustration and Parts	4 - 9

Views shown are for parts illustrations only, not servicing procedures.

Text Codes:

AR - As Required

NA - Not Available

NS - Not Shown

00000000 - See Note

QTY - Quantity Example (QTY 3) (If Quantity not shown, Quantity = 1)

M - Model Example (M1) (If M Code not shown, then part is used on all Models)

Expanded Model Nomenclature:

Example M1 - Model#1 M2 - Model#2 M3 - Model#3

Goodman Manufacturing Company, L.P. is not responsible for personal injury or property damage resulting from improper service. Review all service information before beginning repairs.

Warranty service must be performed by an authorized technician, using authorized factory parts. If service is required after the warranty expires, Goodman Manufacturing Company, L.P. also recommends contacting an authorized technician and using authorized factory parts.

Goodman Manufacturing Company, L.P. reserves the right to discontinue, or change at any time, specifications or designs without notice or without incurring obligations.

For assistance within the U.S.A. contact:
Homeowner Support
Goodman Manufacturing Company, L.P.
19001 Kermier Road
Waller, Texas 77484
877-254-4729-Telephone
713-863-2382-Facsimile

For assistance outside the U.S.A. contact:
International Division
Goodman Manufacturing Company, L.P.
19001 Kermier Road
Waller, Texas 77484
713-861-2500-Telephone
713-863-2382-Facsimile

Functional Parts

Part

No: **Description:**

0151R00079	BASE VALVE 3/4"
0151R00078	BASE VALVE 3/8"
CAP050400440CT	CAPACITOR 5/40/440V/DUAL RD
ZP25K5EPFJ130	COMP, 20400, 220/240/50/1
B13400500	COND MOTOR 1/4 HP, 220-240V 50HZ
0150M00029	FAN BLADE, 18"

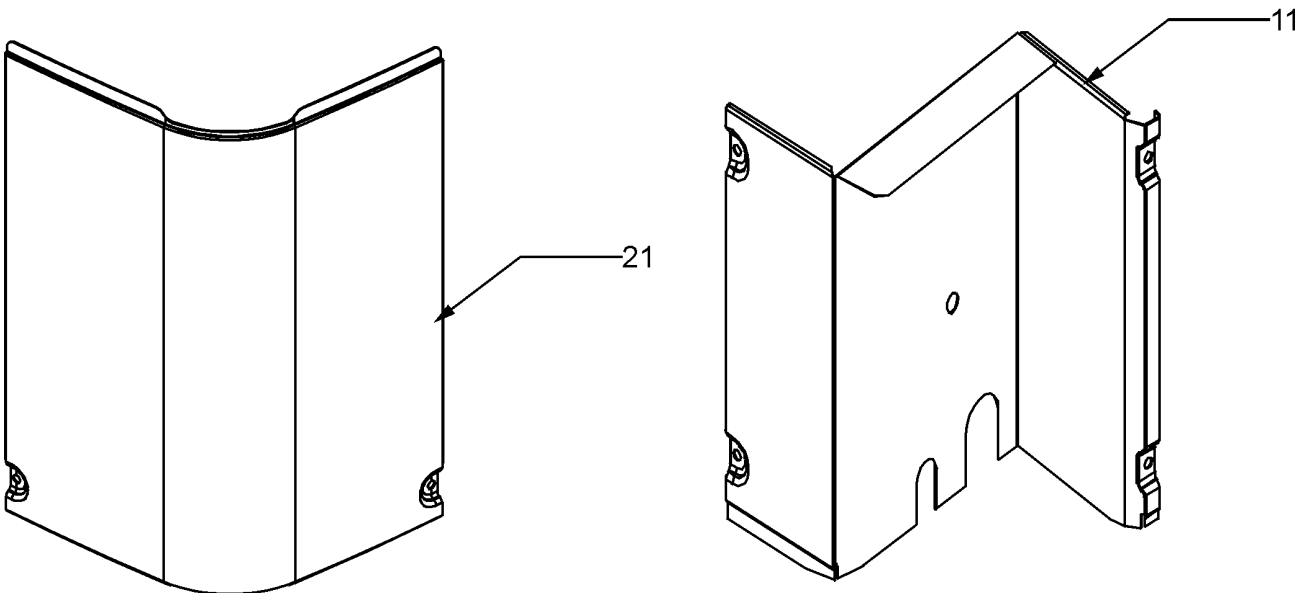
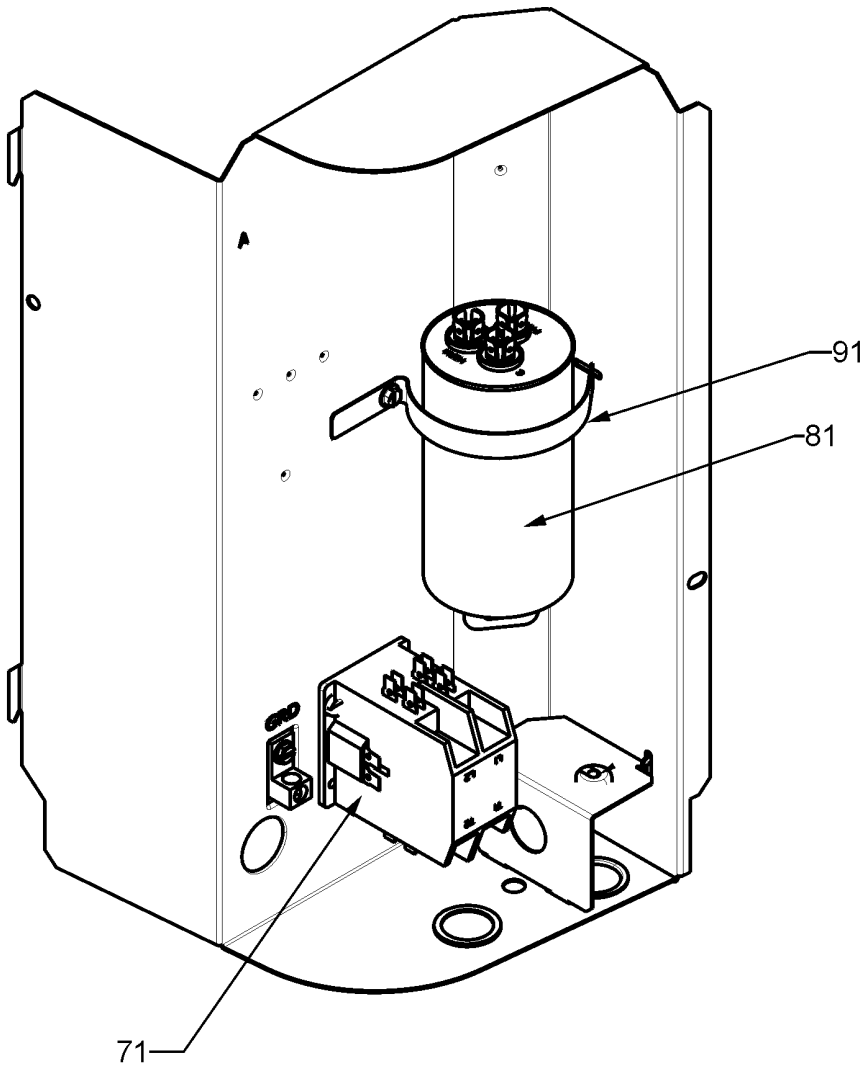
SPECIAL PARTS

0161R00009P NAMEPLATE

Expanded Model Nomenclature

M1 - GSX130242AC

Control Cover / Control Box Assembly



Control Cover / Control Box Assembly

Ref. Part

No: No:

Description:

Ref. Part

No: No:

Description:

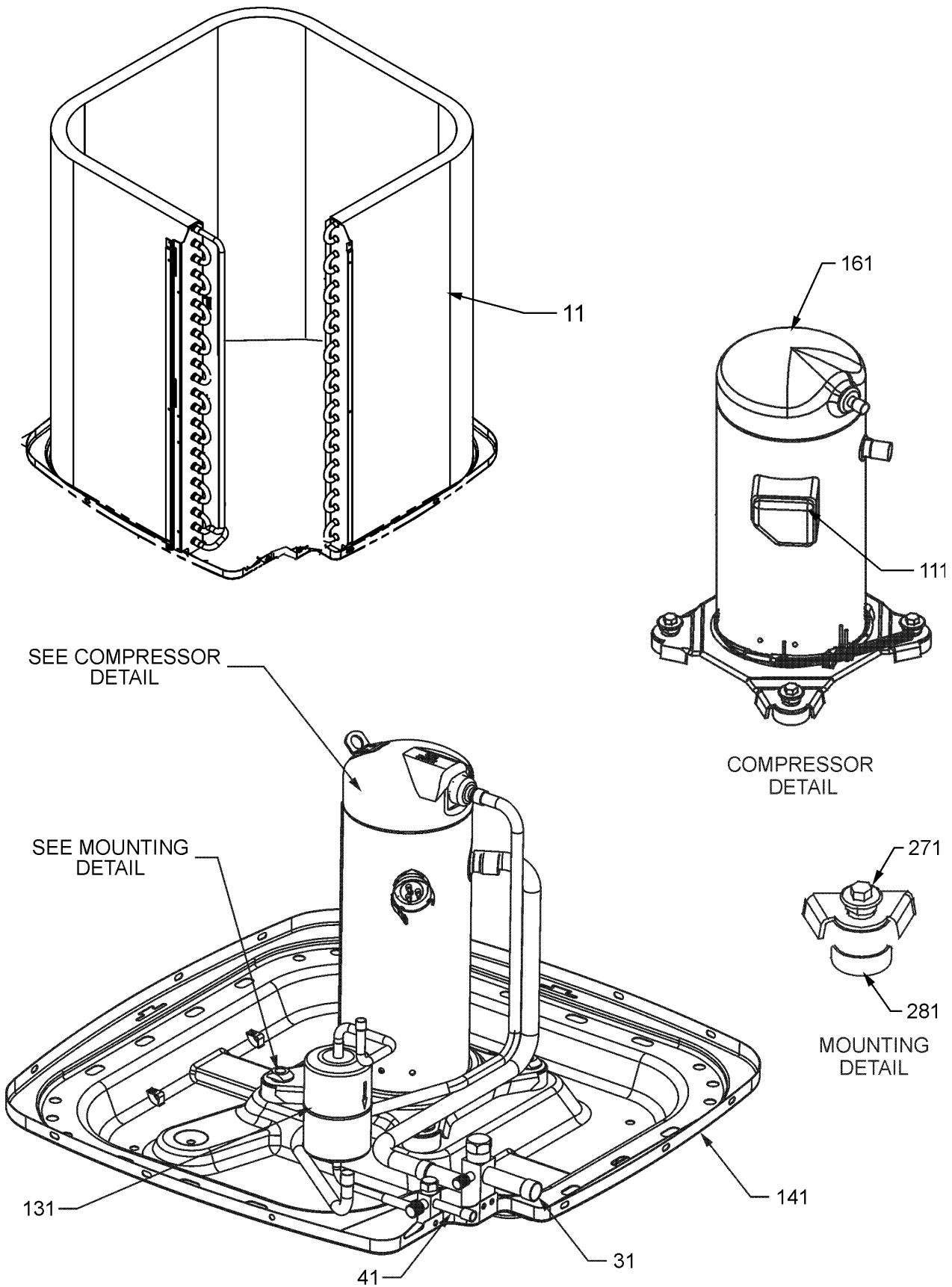
Image 1:

11	0121R00265PDG	PANEL, LOWER ACCESS
21	0121R00268PDG	CONTROL COVER
71	CONT1P025024V	CONTACTOR 25 AMP, 1P, 24V
81	CAP050400440CT	CAPACITOR 5/40/440V/DUAL RD
91	4400065	CAPACITOR STRAP
NS	0161R00009P	NAMEPLATE

Expanded Model Nomenclature

M1 - GSX130242AC

Compressor / Tubing Assembly



Compressor / Tubing Assembly

Ref. Part

No: No:

Description:

Ref. Part

No: No:

Description:

Image 1:

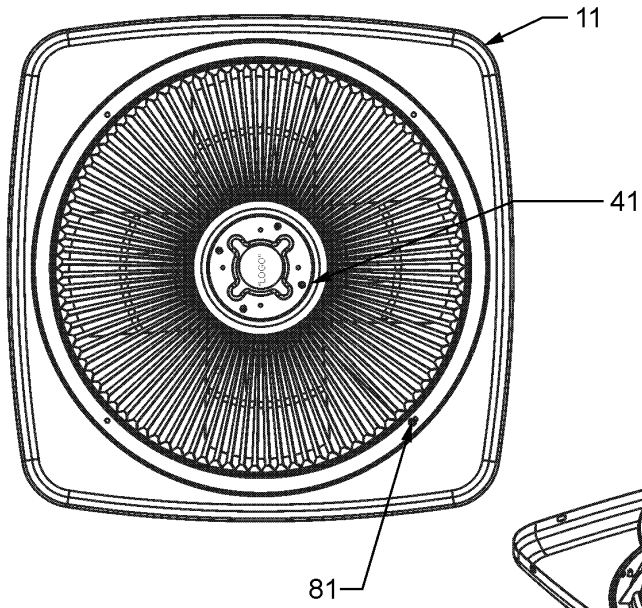
11	0201R00467	COIL TUBING ASSY
31	0151R00079	BASE VALVE 3/4"
41	0151R00078	BASE VALVE 3/8"
111	0159R00009	COMPRESSOR SCROLL HARNESS
131	0162R00009	FILTER DRIER
141	0121R00272PDG	BASE PAN, 23"
161	ZP25K5EPFJ130	COMP, 20400, 220/240/50/1
271	M0221641	TF SHOULDER SCREW (QTY 4)
281	B1339533	COMPRESSOR GROMMET (QTY 4)
NS	B1789855	FLOW CHECK PISTON KIT .055

Expanded Model Nomenclature

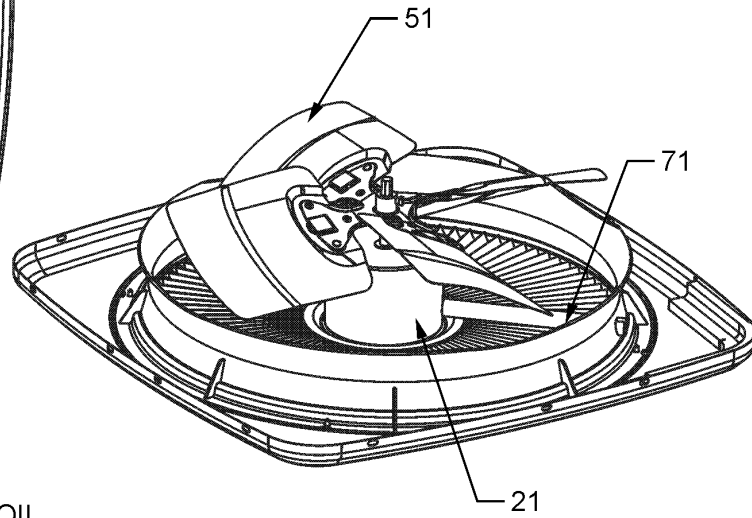
M1 - GSX130242AC

Cabinet Top / Side Panel Assembly

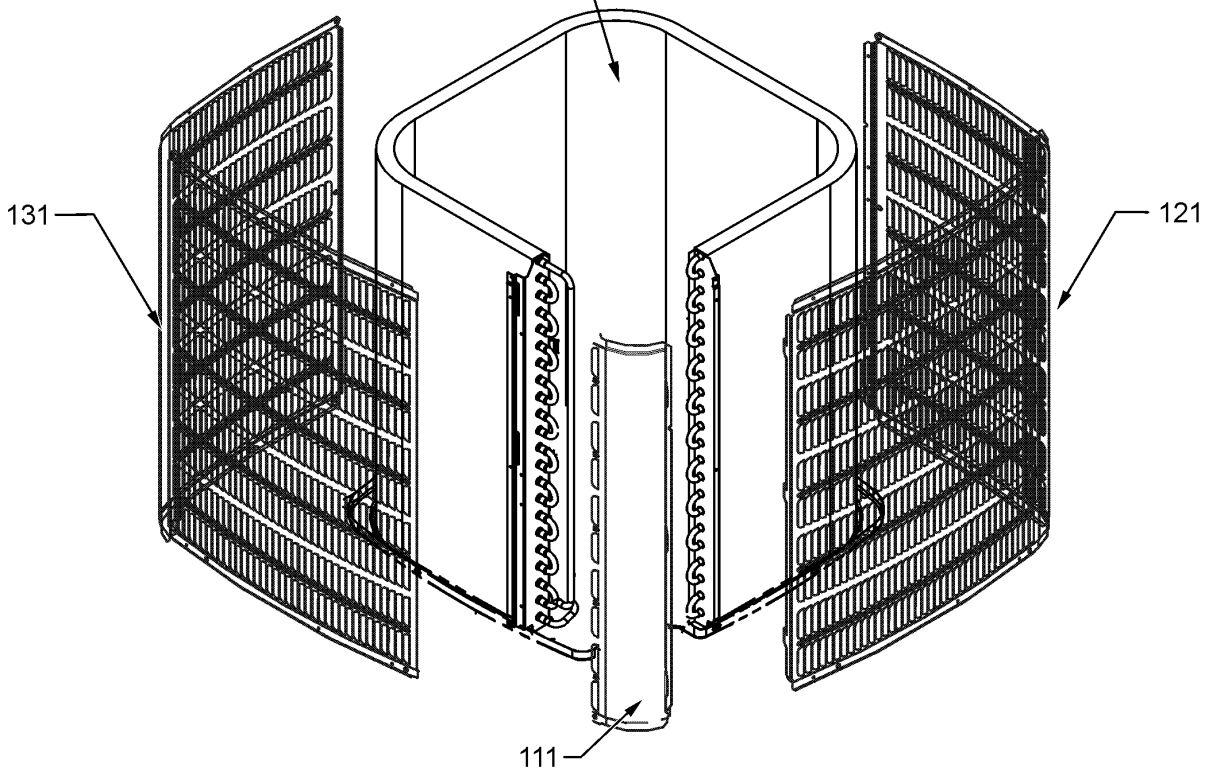
TOP VIEW



BOTTOM VIEW



CONDENSER COIL REFERENCE



Cabinet Top / Side Panel Assembly

Ref. Part

No: No:

Description:

Ref. Part

No: No:

Description:

Image 1:

11	0121R00270PDG	PANEL, TOP, PNT DG
21	B13400500	COND MOTOR 1/4 HP, 220-240V 50HZ
41	0163M00006P	ACORN NUT 5/16 HEX BLACK (QTY 4)
51	0150M00029	FAN BLADE, 18"
71	0161R00032	CONDUIT
81	0163M00004	SCREW #10X3/4", BLACK
111	0121R00280PDG	POST, LOUVER 23_25.2, PNT DG
121	0121R00274PDGRS	PANEL, LOUVER 23_25.2, PNT DG
131	0121R00274PDGLS	PANEL, LOUVER 23_25.2, PNT DG
NS	B1789855	FLOW CHECK PISTON KIT .055
NS	0121R00297	SHIELD, RAIN

Expanded Model Nomenclature

M1 - GSX130242AC