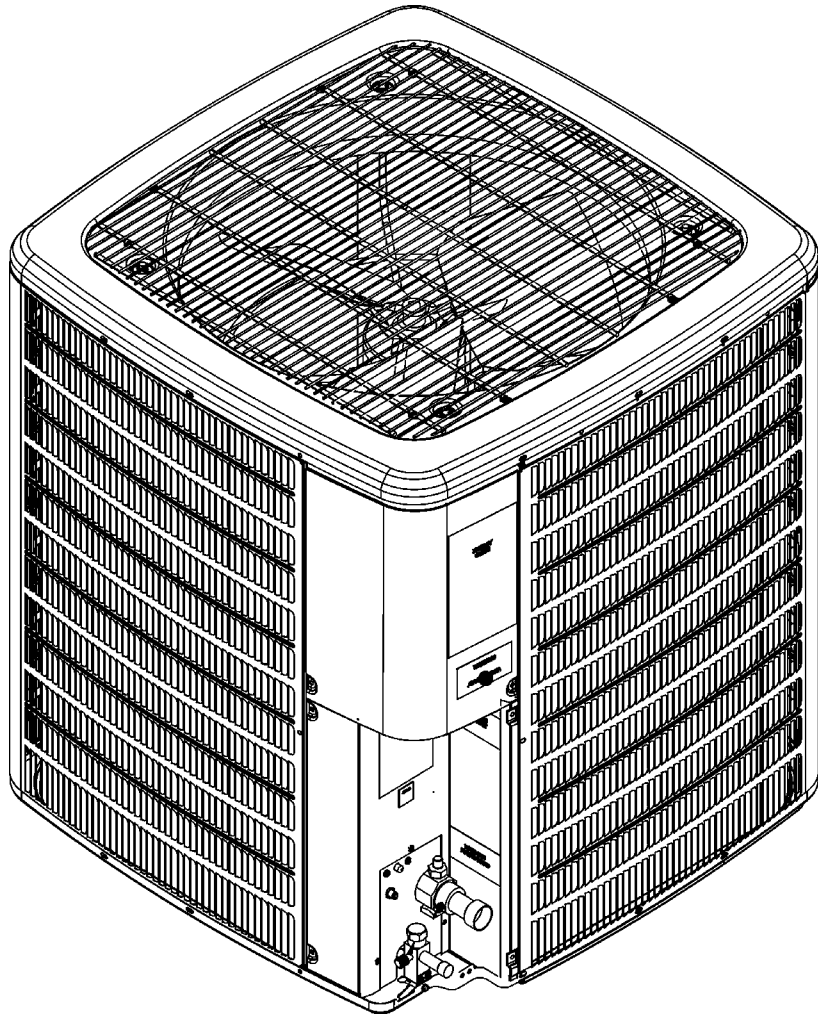


# REPAIR PARTS

---

## GSX11 Remote Condensing Unit

GSX110903AA  
GSX110903AB  
GSX110904AA  
GSX110904AB  
GSX111203AA  
GSX111203AB  
GSX111204AA  
GSX111204AB



This manual is to be used by qualified technicians only.

This manual replaces RP-635.

© 2009,2012 Goodman Manufacturing Company, L.P. ♦ 5151 San Felipe, Suite 500 ♦ Houston, TX 77056

# Important Information

---

## Index

Functional Parts List .....	3
Illustration and Parts .....	4 - 9

*Views shown are for parts illustrations only, not servicing procedures.*

### Text Codes:

AR - As Required

NA - Not Available

NS - Not Shown

00000000 - See Note

QTY - Quantity Example (QTY 3) (If Quantity not shown, Quantity = 1)

M - Model Example (M1) (If M Code not shown, then part is used on all Models)

### Expanded Model Nomenclature:

Example M1 - Model#1 M2 - Model#2 M3 - Model#3
---

Goodman Manufacturing Company, L.P. is not responsible for personal injury or property damage resulting from improper service. Review all service information before beginning repairs.

Warranty service must be performed by an authorized technician, using authorized factory parts. If service is required after the warranty expires, Goodman Manufacturing Company, L.P. also recommends contacting an authorized technician and using authorized factory parts.

Goodman Manufacturing Company, L.P. reserves the right to discontinue, or change at any time, specifications or designs without notice or without incurring obligations.

For assistance within the U.S.A. contact:  
Consumer Affairs Department  
Goodman Manufacturing Company, L.P.  
7401 Security Way  
Houston, Texas 77040  
877-254-4729-Telephone  
713-863-2382-Facsimile

For assistance outside the U.S.A. contact:  
International Division  
Goodman Manufacturing Company, L.P.  
7401 Security Way  
Houston, Texas 77040  
713-861-2500-Telephone  
713-863-2382-Facsimile

# Functional Parts

## Part

## No: Description:

---

B1282574	1 1/8" SERVICE VALVE
B1282573	5/8" SERVICE VALVE
CAP200000440RPS	CAPACITOR 20/370V
ZP103KCETF5855	COMP, 105,000, 200/230/60/3 (M5, M6)
ZP103KCETFD855	COMP, 105000, 460/60/3 (M7, M8)
ZP83KCETF5830	COMP, 83000, 200/230/60/3 (M1, M2)
ZP83KCETFD830	COMP, 83000, 460/60/3 (M3, M4)
0131M00040S	COND MOTOR 1 HP, 1 SP, 230V (M1, M2, M5, M6)
0131M00041S	COND MOTOR 1 HP, 1 SP, 460V (M3, M4, M7, M8)
CONT3P040024VS	CONTACTOR 40 AMP, 3P, 24V
0130L00023	CRANK CASE HEATER 70W 240V (M1, M2)
0130L00024	CRANK CASE HEATER 70W, 480V (M3, M4)
0130R00042	DISCHARGE THERMOSTAT
B1086768	FAN BLADE 26"
20322603	HIGH PRESSURE SWITCH
0130R00001	LOW PRESSURE SWITCH

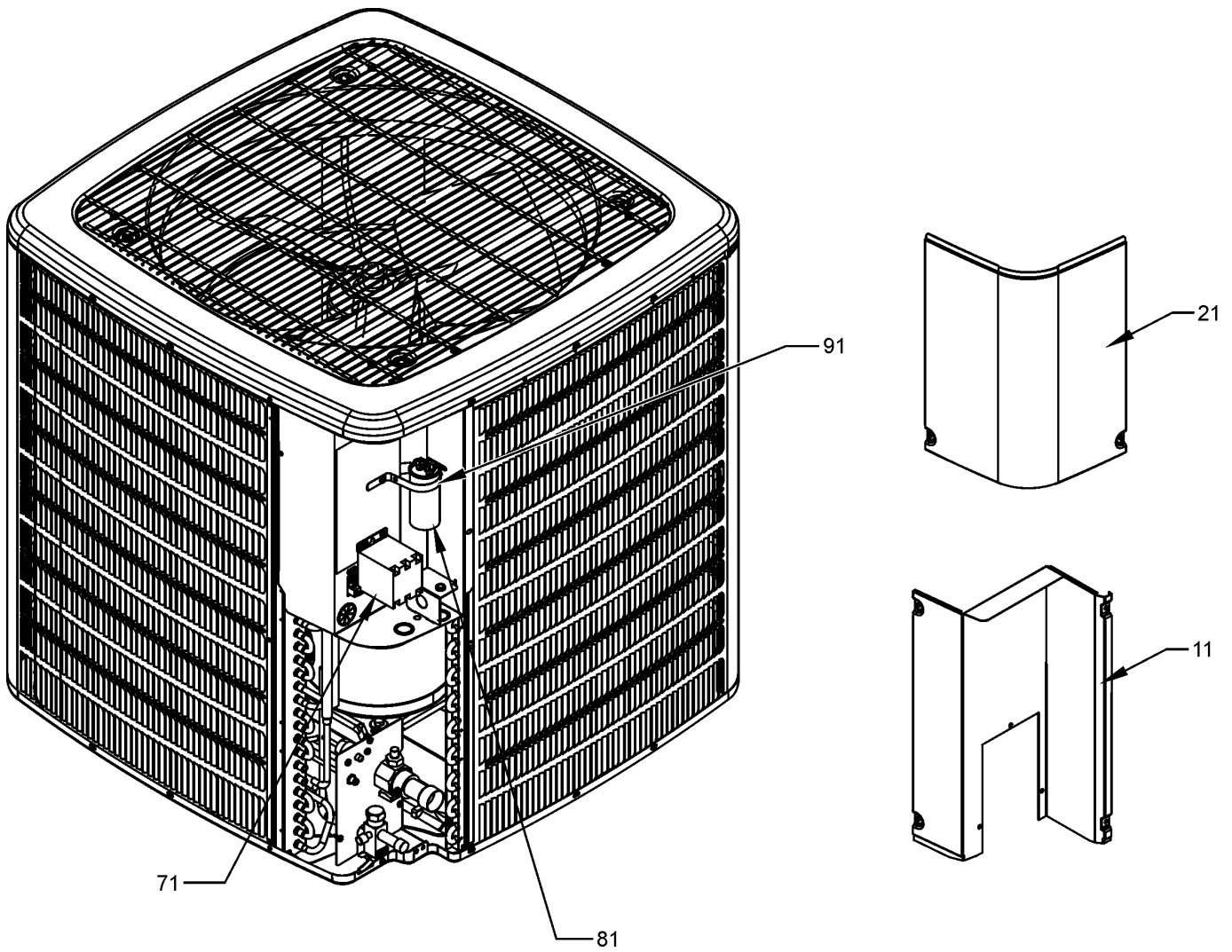
## SPECIAL PARTS

0161R00009P NAMEPLATE

## Expanded Model Nomenclature

M1 - GSX110903AA
M2 - GSX110903AB
M3 - GSX110904AA
M4 - GSX110904AB
M5 - GSX111203AA
M6 - GSX111203AB
M7 - GSX111204AA
M8 - GSX111204AB

# Control Box / Control Cover



# Control Box / Control Cover

Ref. Part No:	No:	Description:	Ref. Part No:	No:	Description:
---------------	-----	--------------	---------------	-----	--------------

---

Image 1:

11	4400211PDG	LOWER ACCESS PANEL
21	0121R00053PDG	CONTROL COVER
71	CONT3P040024VS	CONTACTOR 40 AMP, 3P, 24V
81	CAP200000440RPS	CAPACITOR 20/370V
91	4400065	CAPACITOR STRAP
NS	0161R00009P	NAMEPLATE
NS	B1372801	SIGHT GLASS CL90/120

Expanded Model Nomenclature

M1 - GSX110903AA
M2 - GSX110903AB
M3 - GSX110904AA
M4 - GSX110904AB
M5 - GSX111203AA
M6 - GSX111203AB
M7 - GSX111204AA
M8 - GSX111204AB

# Compressor / Tubing Assembly

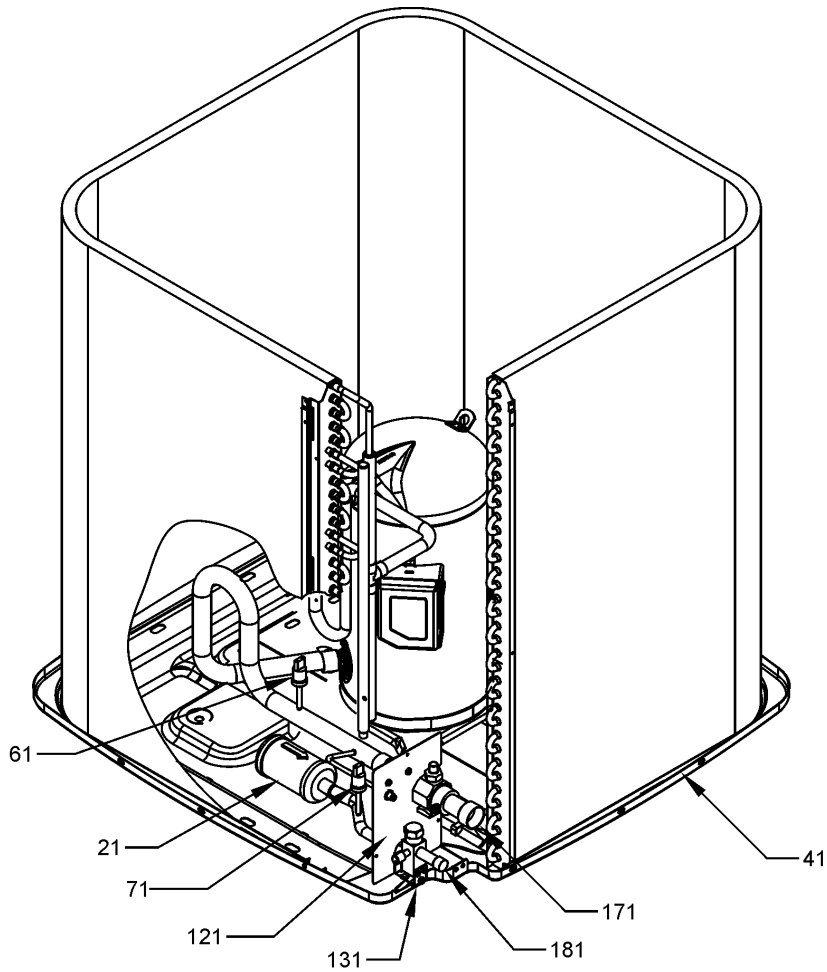


Image 1

Image 2

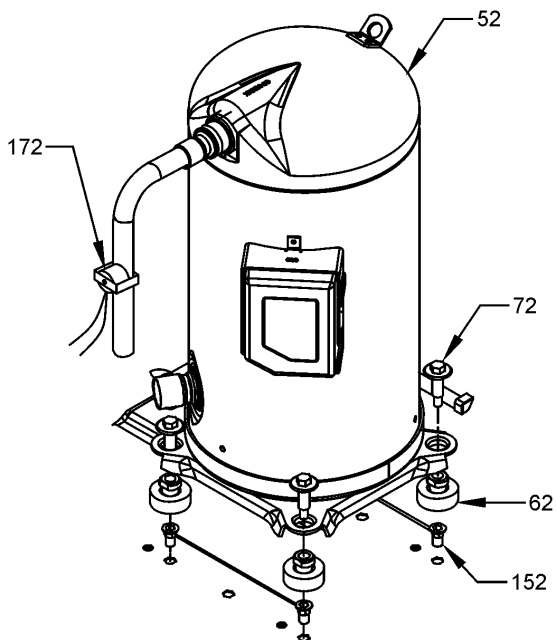
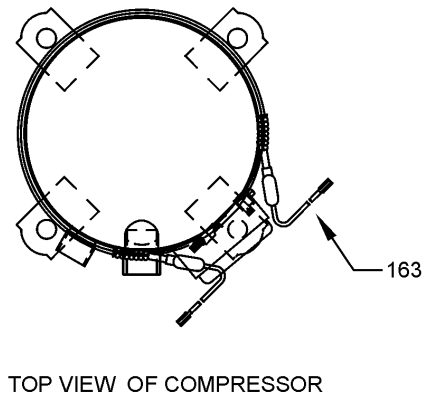


Image 3



# Compressor / Tubing Assembly

Ref. Part No: No:	Description:	Ref. Part No: No:	Description:
-------------------	--------------	-------------------	--------------

*Image 1:*

21	B1219228	FILTER DRIER
41	0121R00007PDG	BASE PAN 35"
61	0130R00001	LOW PRESSURE SWITCH
71	20322603	HIGH PRESSURE SWITCH
121	0121R00300PDG	PANEL, BALL VALVE MOUNTING PNT
131	4400031	VALVE BRACKET
171	B1282574	1 1/8" SERVICE VALVE
181	B1282573	5/8" SERVICE VALVE
NS	0159G00003	COMPRESSOR HARNESS (M3, M4)
NS	0159L00053	HARNESS, COMP SCROLL (M5, M6)

*Image 2:*

52	ZP103KCETF5855	COMP, 105,000, 200/230/60/3 (M5, M6)
52	ZP103KCETFD855	COMP, 105000, 460/60/3 (M7, M8)
52	ZP83KCETF5830	COMP, 83000, 200/230/60/3 (M1, M2)
52	ZP83KCETFD830	COMP, 83000, 460/60/3 (M3, M4)
62	0164M00018	COMPRESSOR GROMMET (QTY 4)
72	B1393740	COMPRESSOR BOLT & SLEEVE (QTY 4)
152	B1393027	HEX NUT INSERT 5/16-18 (QTY 4)
172	0130R00042	DISCHARGE THERMOSTAT

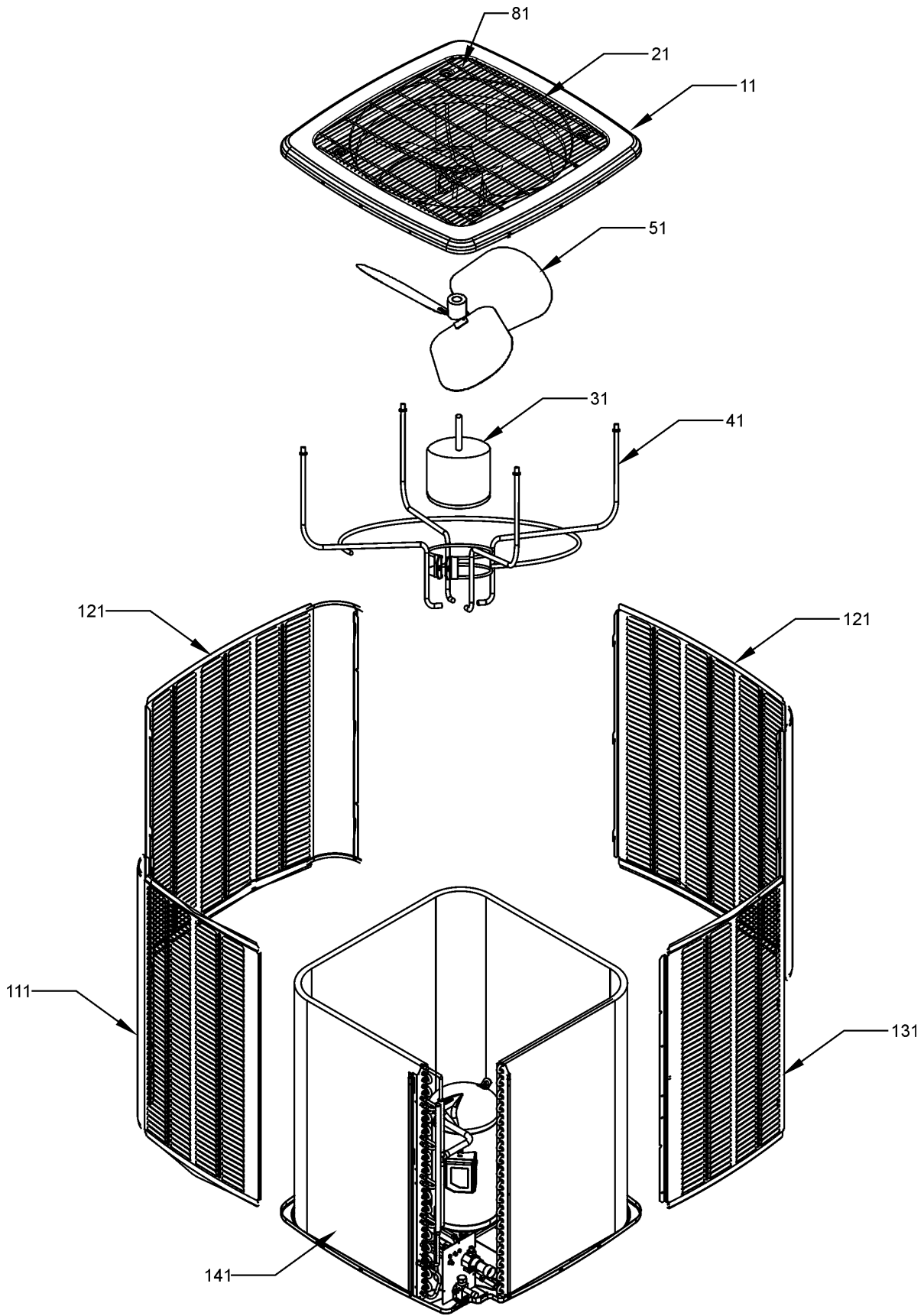
*Image 3:*

163	0130L00023	CRANK CASE HEATER 70W 240V (M1, M2)
163	0130L00024	CRANK CASE HEATER 70W, 480V (M3, M4)

Expanded Model Nomenclature

M1 - GSX110903AA
M2 - GSX110903AB
M3 - GSX110904AA
M4 - GSX110904AB
M5 - GSX111203AA
M6 - GSX111203AB
M7 - GSX111204AA
M8 - GSX111204AB

# Coil / Cabinet Top / Side Panels



# Coil / Cabinet Top / Side Panels

Ref. Part No:	No:	Description:	Ref. Part No:	No:	Description:
---------------	-----	--------------	---------------	-----	--------------

---

*Image 1:*

11	0121R00013PDG	VENTURI TOP PANEL 35"
21	0152R00013	GRILL, WIRE 35" COM TOP
31	0131M00040S	COND MOTOR 1 HP, 1 SP, 230V (M1, M2, M5, M6)
31	0131M00041S	COND MOTOR 1 HP, 1 SP, 460V (M3, M4, M7, M8)
41	0121R00301	BRACKET, MOTOR MOUNTING
51	B1086768	FAN BLADE 26"
81	0163M00003P	SCREW #10 X 1/2, A, SLOT, SR, BLACK (QTY 8)
111	0121R00043PDGB	LOUVERED SIDE PANEL [LT OF CNTL PNL]
121	0121R00047PDGB	LOUVERED SIDE PANEL (QTY 4)
131	0121R00051PDG	LOUVERED SIDE PANEL [RT OF CNTL PNL]
141	0201R00377	TUBING ASSY, COND COIL

Expanded Model Nomenclature

M1 - GSX110903AA
M2 - GSX110903AB
M3 - GSX110904AA
M4 - GSX110904AB
M5 - GSX111203AA
M6 - GSX111203AB
M7 - GSX111204AA
M8 - GSX111204AB