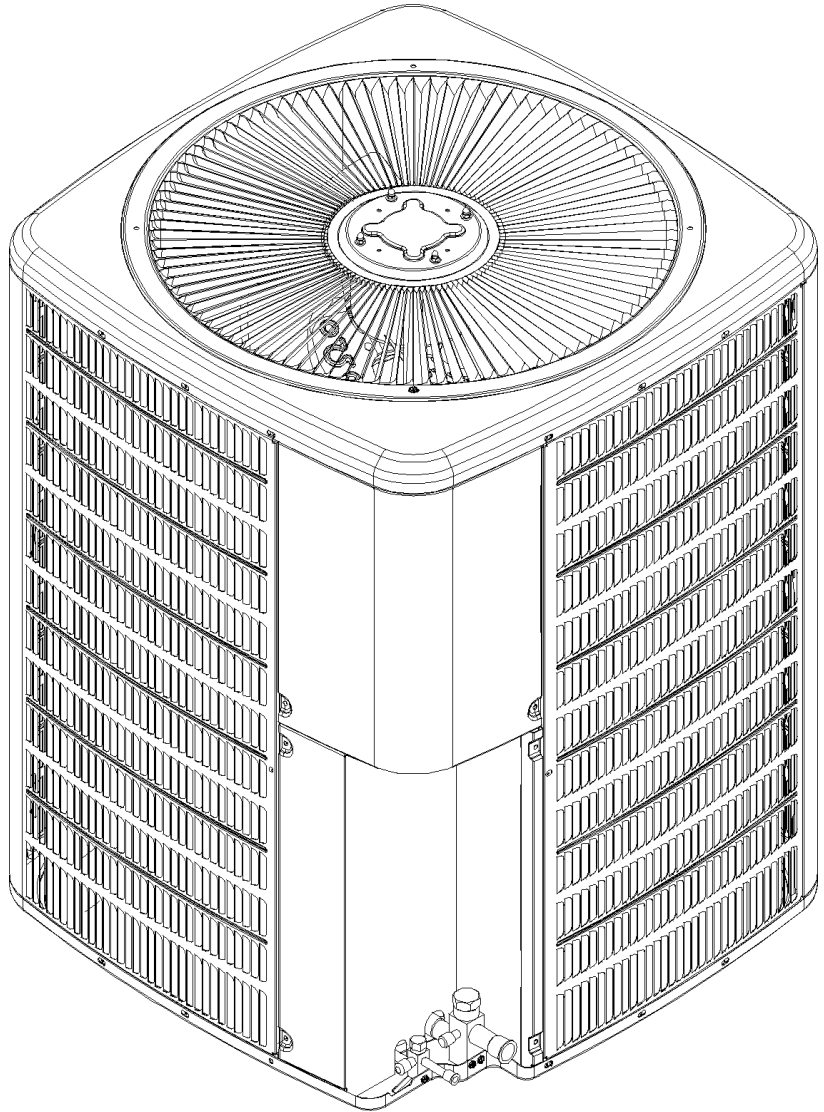




REPAIR PARTS

GSH13 Remote Heat Pump Unit

GSH130361CF
GSH130421BD
GSH130481BD



This manual is to be used by qualified technicians only.

© 2017 Goodman Manufacturing Company, L.P. ♦ 5151 San Felipe St., Suite 500 ♦ Houston, TX 77056

Important Information

Index

| | |
|------------------------------|-------|
| Functional Parts List | 3 |
| Illustration and Parts | 4 - 9 |

Views shown are for parts illustrations only, not servicing procedures

Text Codes:

AR - As Required

NA - Not Available

NS - Not Shown

00000000 - See Note

QTY - Quantity Example (QTY 3) (If Quantity not shown, Quantity = 1)

M - Model Example (M1) (If M Code not shown, then part is used on all Models)

Expanded Model Nomenclature:

| |
|---|
| Example M1 - Model#1 M2 - Model#2 M3 - Model#3 |
|---|

Goodman Manufacturing Company, L.P. is not responsible for personal injury or property damage resulting from improper service. Review all service information before beginning repairs.

Warranty service must be performed by an authorized technician, using authorized factory parts. If service is required after the warranty expires, Goodman Manufacturing Company, L.P. also recommends contacting an authorized technician and using authorized factory parts.

Goodman Manufacturing Company, L.P. reserves the right to discontinue, or change at any time, specifications or designs without notice or without incurring obligations.

For assistance within the U.S.A. contact:
Homeowner Support
Goodman Manufacturing Company, L.P.
19001 Kermier Road
Waller, Texas 77484
877-254-4729-Telephone
713-863-2382-Facsimile

For assistance outside the U.S.A. contact:
International Division
Goodman Manufacturing Company, L.P.
19001 Kermier Road
Waller, Texas 77484
713-861-2500-Telephone
713-863-2382-Facsimile

Functional Parts

Part

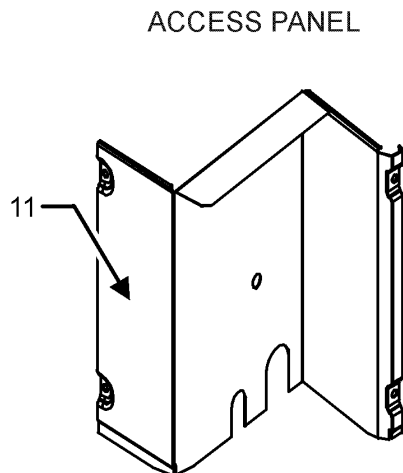
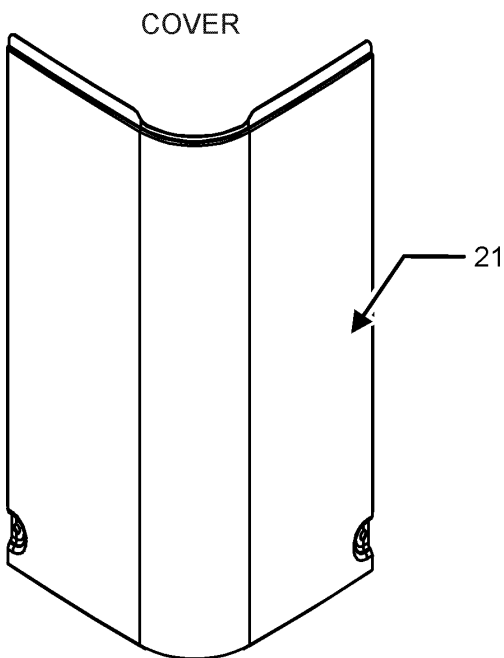
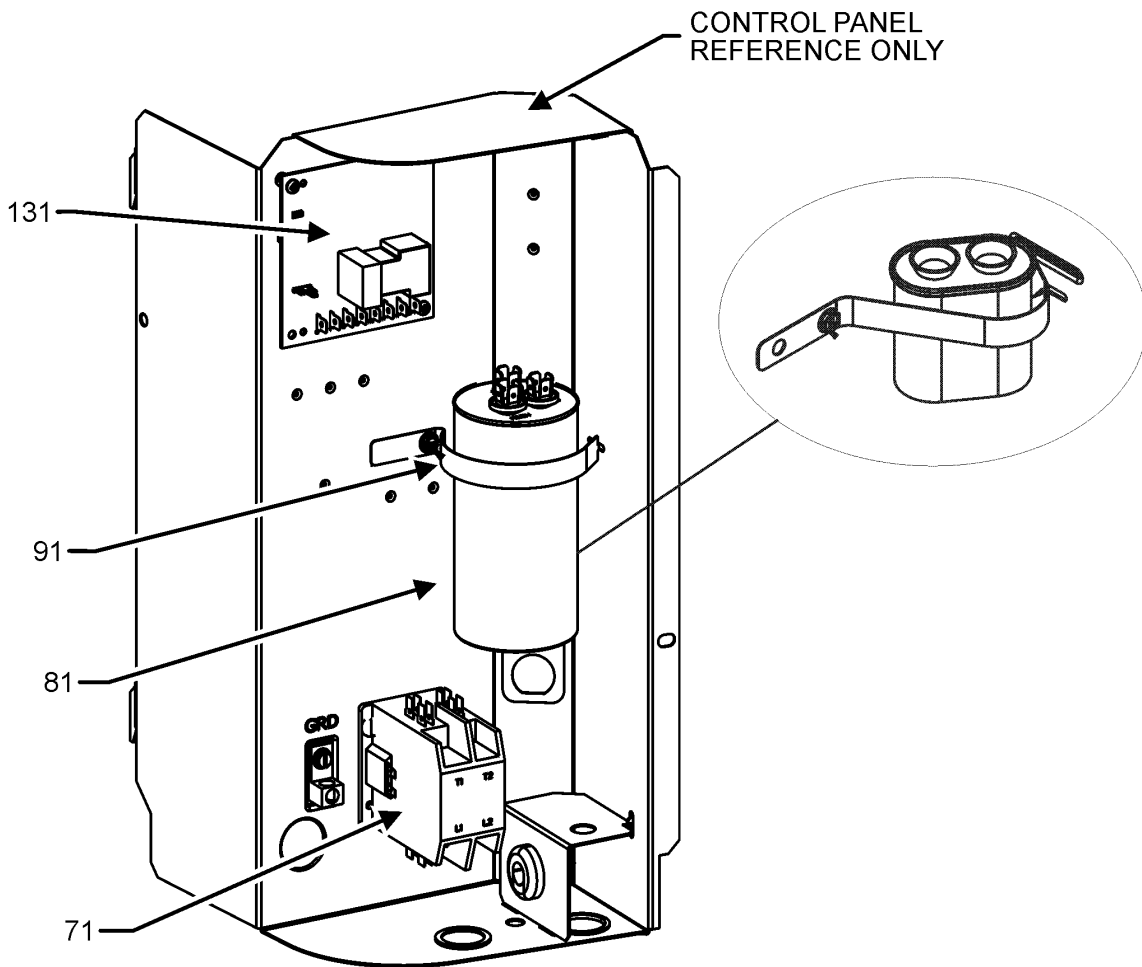
No: **Description:**

| | |
|----------------|--|
| B1226207 | ACCUMULATOR .875 |
| 0151R00078 | BASE VALVE 3/8" |
| 0151R00080 | BASE VALVE 7/8" |
| CAP050550440CT | CAP, 5/55 MFD/440V/DUAL RD (M2, M3) |
| CAP050450440CT | CAPACITOR 5/45/440V/DUAL RD (M1) |
| ZR38K5EPFV130 | COMP,38000,208/230/60/1 (M2) |
| ZR42K5EPFV130 | COMPRESSOR, 42200,208/230/60/1 (M3) |
| ZR28K5EPFV130 | COMPRESSOR,28500,208/230/60/1 (M1) |
| CONT1P030024V | CONTACTOR 30 AMP, 1P, 24V |
| 0130M00105 | CONTROL, DEFROST |
| PCBDM101 | DEFROST CONTROL BOARD |
| 0130M00106 | DISC THERMOSTAT CRNKCS HTR SW (M2, M3) |
| B1086750 | FAN BLADE 22", 3 BLADE, 24° (M1, M3) |
| 0150M00022 | FAN BLADE, 22" (M2) |
| 0163R00007 | HEATER, CRANKCASE 230V, 40W (M2, M3) |
| 0131M00813 | MOTOR, 1/4HP, 1SP, 6PL |
| 0151R00071 | REVERSING VALVE (M2) |
| 0151R00070 | REVERSING VALVE (M1, M3) |
| 0130R00058 | SW-CUTOUT LOW PRESS |

Expanded Model Nomenclature

| |
|------------------|
| M1 - GSH130361CF |
| M2 - GSH130421BD |
| M3 - GSH130481BD |

Control Box Assembly



Control Box Assembly

| Ref. Part No: | Ref. Part No: | Description: | Description: |
|---------------|---------------|--------------|--------------|
|---------------|---------------|--------------|--------------|

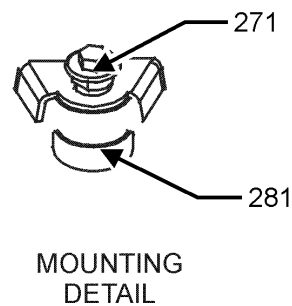
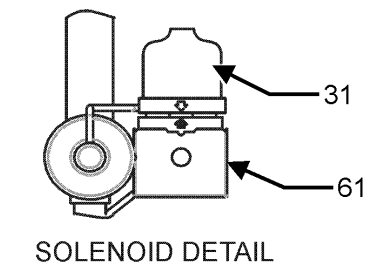
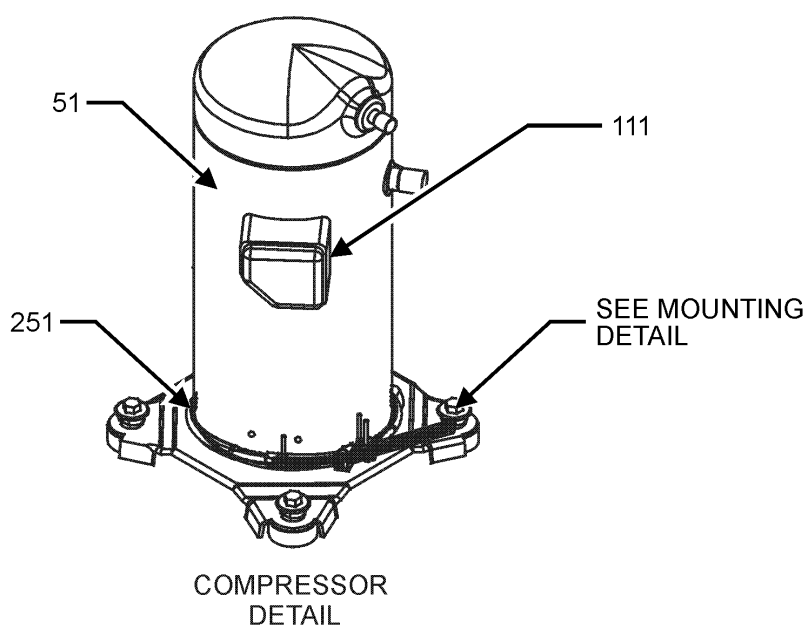
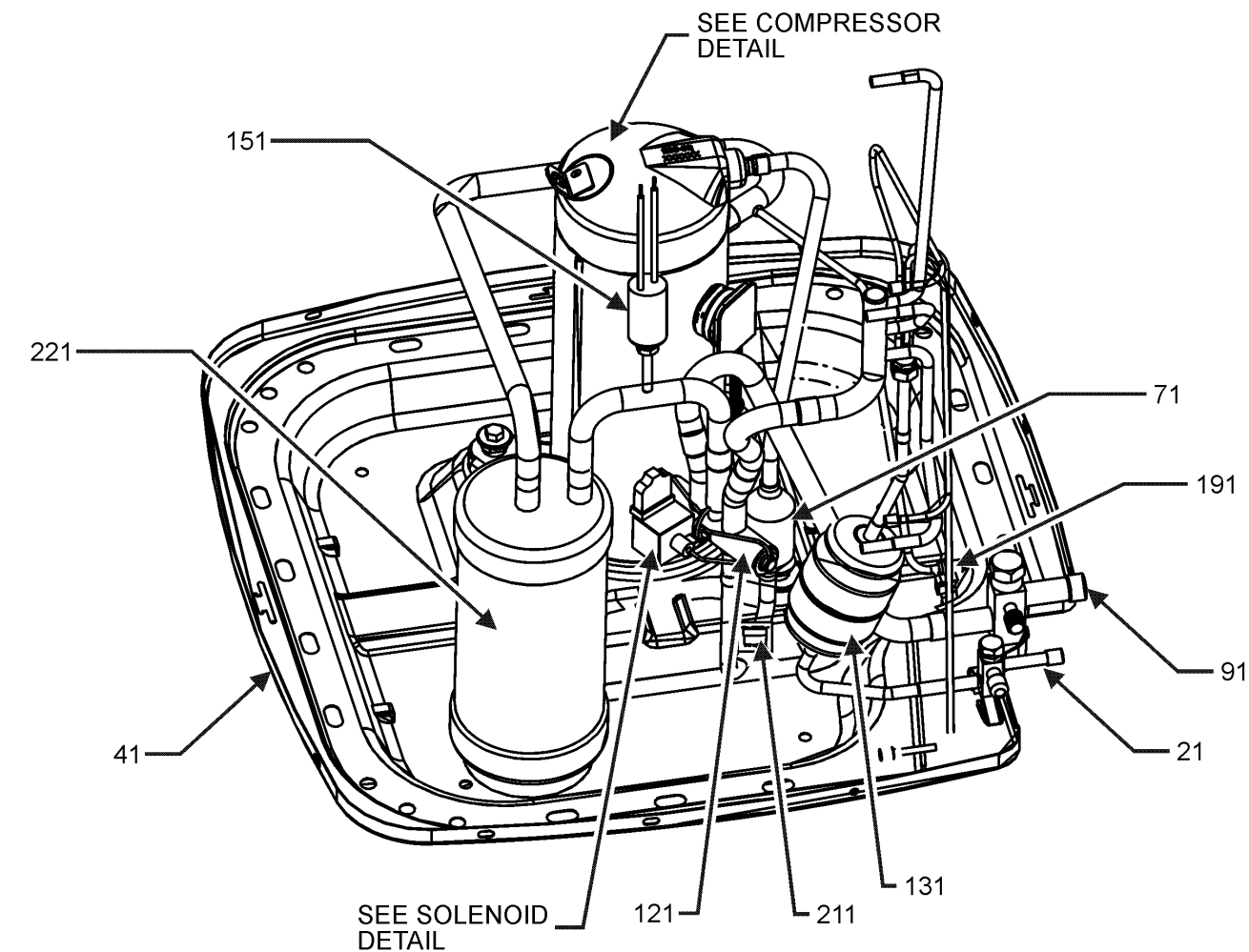
Image 1:

| | | |
|-----|----------------|-------------------------------------|
| 11 | 0121R00663PDG | LOWER ACCESS PANEL (M2) |
| 11 | 0121R00318PDG | PANEL, LOWER ACCESS PNT (M1) |
| 11 | 0121R00321PDG | PANEL, LOWER ACCESS PNT (M3) |
| 21 | 0121R00053PDG | CONTROL COVER |
| 71 | CONT1P030024V | CONTACTOR 30 AMP, 1P, 24V |
| 81 | CAP050550440CT | CAP, 5/55 MFD/440V/DUAL RD (M2, M3) |
| 81 | CAP050450440CT | CAPACITOR 5/45/440V/DUAL RD (M1) |
| 91 | 4400065 | CAPACITOR STRAP |
| 131 | PCBDM101 | DEFROST CONTROL BOARD |

Expanded Model Nomenclature

| |
|------------------|
| M1 - GSH130361CF |
| M2 - GSH130421BD |
| M3 - GSH130481BD |

Compressor and Tubing Assembly



NOTE; ACTUAL TUBING ASSEMBLY MAY DIFFER FROM WHAT IS SHOWN

Compressor and Tubing Assembly

| Ref. Part No: No: | Description: | Ref. Part No: No: | Description: |
|-------------------|--------------|-------------------|--------------|
|-------------------|--------------|-------------------|--------------|

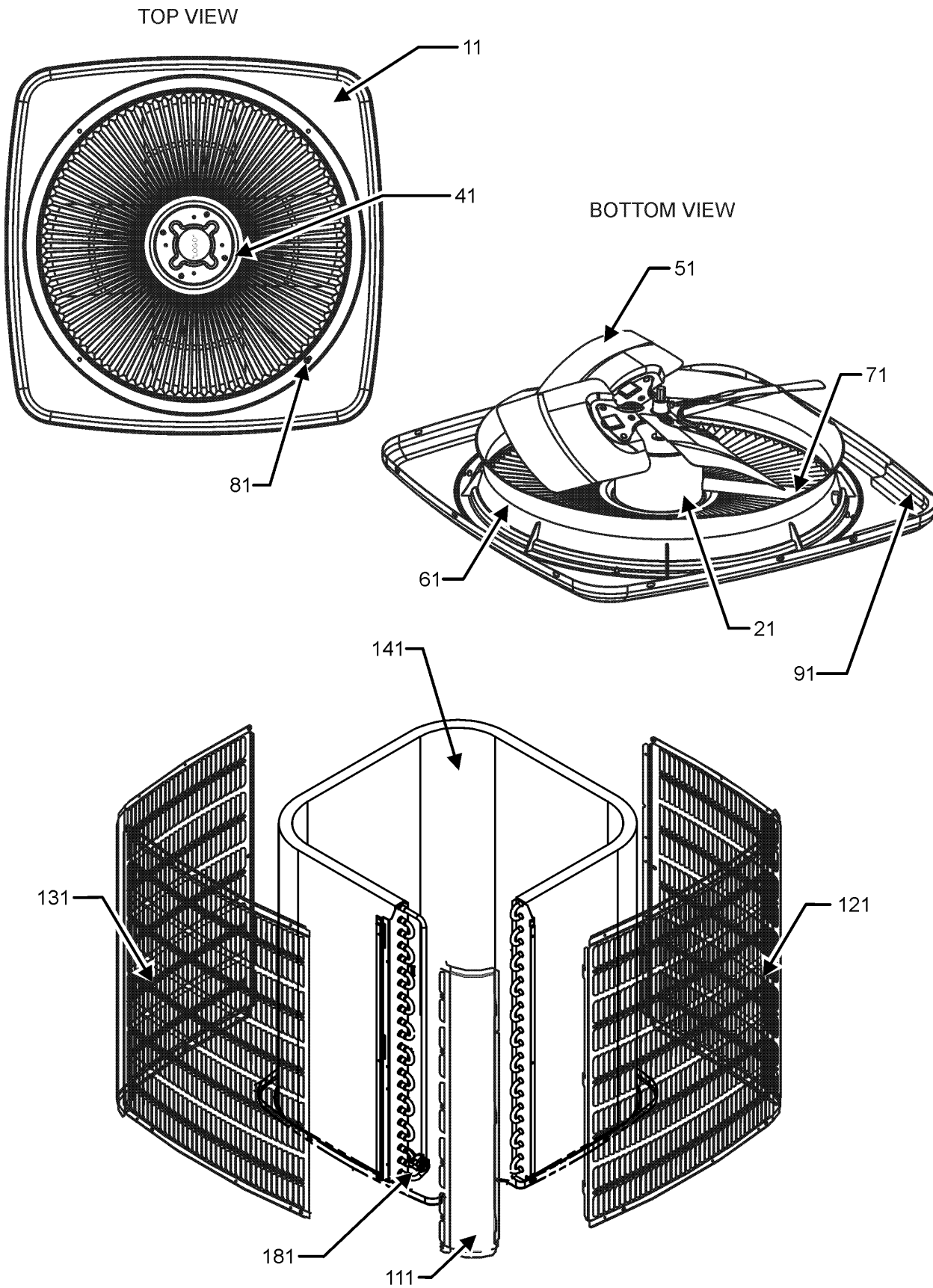
Image 1:

| | | |
|-----|---------------|--|
| 21 | 0151R00078 | BASE VALVE 3/8" |
| 31 | 0130M00083 | REVERSING VALVE HARNESS |
| 41 | 0121R00006PDG | BASE PAN 29" |
| 51 | ZR38K5EPFV130 | COMP,38000,208/230/60/1 (M2) |
| 51 | ZR42K5EPFV130 | COMPRESSOR, 42200,208/230/60/1 (M3) |
| 51 | ZR28K5EPFV130 | COMPRESSOR,28500,208/230/60/1 (M1) |
| 61 | B1225022 | SOLENOID COIL |
| 71 | B1219301 | MUFFLER 1/2 X 1/2 (M1) |
| 91 | 0151R00080 | BASE VALVE 7/8" |
| 111 | 0159R00001P | COMPRESSOR SCROLL HARNESS |
| 121 | 0151R00070 | REVERSING VALVE (M1, M3) |
| 121 | 0151R00071 | REVERSING VALVE (M2) |
| 131 | B1219204 | BI-FLOW FILTER DRIER |
| 151 | 0130R00058 | SW-CUTOUT LOW PRESS |
| 191 | B1787000 | VALVE CORE |
| 211 | 0130M00106 | DISC THERMOSTAT CRNKCS HTR SW (M2, M3) |
| 221 | B1226207 | ACCUMULATOR .875 |
| 251 | 0163R00007 | HEATER, CRANKCASE 230V, 40W (M2, M3) |
| 271 | M0221641 | TF SHOULDER SCREW (QTY 4) |
| 281 | B1339533 | COMPRESSOR GROMMET (QTY 4) |
| NS | B1789871 | FLOW CHECK PISTON KIT .071 (M1) |
| NS | B1789880 | FLOW CHECK PISTON KIT .080 (M2) |
| NS | B1789884 | FLOW CHECK PISTON KIT .084 (M3) |

Expanded Model Nomenclature

| |
|------------------|
| M1 - GSH130361CF |
| M2 - GSH130421BD |
| M3 - GSH130481BD |

Cabinet Top and Side Panel Assembly



Cabinet Top and Side Panel Assembly

| Ref. Part No: No: | Description: | Ref. Part No: No: | Description: |
|-------------------|--------------|-------------------|--------------|
|-------------------|--------------|-------------------|--------------|

Image 1:

| | | |
|-----|-----------------|--------------------------------------|
| 11 | 0121R00010PDG | TOP PANEL 29" |
| 21 | 0131M00813 | MOTOR, 1/4HP, 1SP, 6PL |
| 41 | 0163M00006P | ACORN NUT 5/16 HEX BLACK (QTY 4) |
| 51 | B1086750 | FAN BLADE 22", 3 BLADE, 24° (M1, M3) |
| 51 | 0150M00022 | FAN BLADE, 22" (M2) |
| 61 | 0161L00000 | VENTURI RING 22" |
| 71 | 0161R00002P | CONDUIT |
| 81 | 0163M00004 | SCREW #10X3/4", BLACK |
| 91 | 0154R00006 | GASKET, CONTROL PANEL |
| 111 | 0121R00351PDG | LOUVER POST 30.49 (M3) |
| 111 | 0121R00353PDG | LOUVER POST 34.49 (M1) |
| 111 | 0121R00349PDG | Louver Post, PDG 28.49 (M2) |
| 121 | 0121R00343PDGRS | LOUVER PANEL 29"_30.49 (M3) |
| 121 | 0121R00345PDGRS | LOUVER PANEL 29"_34.49 (M1) |
| 121 | 0121R00341PDGRS | Louver Panel, PDG 29"_28.49 (M2) |
| 131 | 0121R00343PDGLS | LOUVER PANEL 29"_30.49 (M3) |
| 131 | 0121R00345PDGLS | LOUVER PANEL 29"_34.49 (M1) |
| 131 | 0121R00341PDGLS | Louver Panel, PDG 29"_28.49 (M2) |
| 141 | 0201R00425 | COIL TBG 36XM 6CR 1CTC (M1) |
| 141 | 0201R00068 | TUBING ASSY, COND COIL (M3) |
| 141 | 0201R00070 | TUBING ASSY, COND COIL (M2) |
| 181 | 0130M00105 | CONTROL, DEFROST |
| NS | 0163M00005P | WASHER, BLACK (.50 OD .218D) (QTY 4) |

Expanded Model Nomenclature

| |
|------------------|
| M1 - GSH130361CF |
| M2 - GSH130421BD |
| M3 - GSH130481BD |