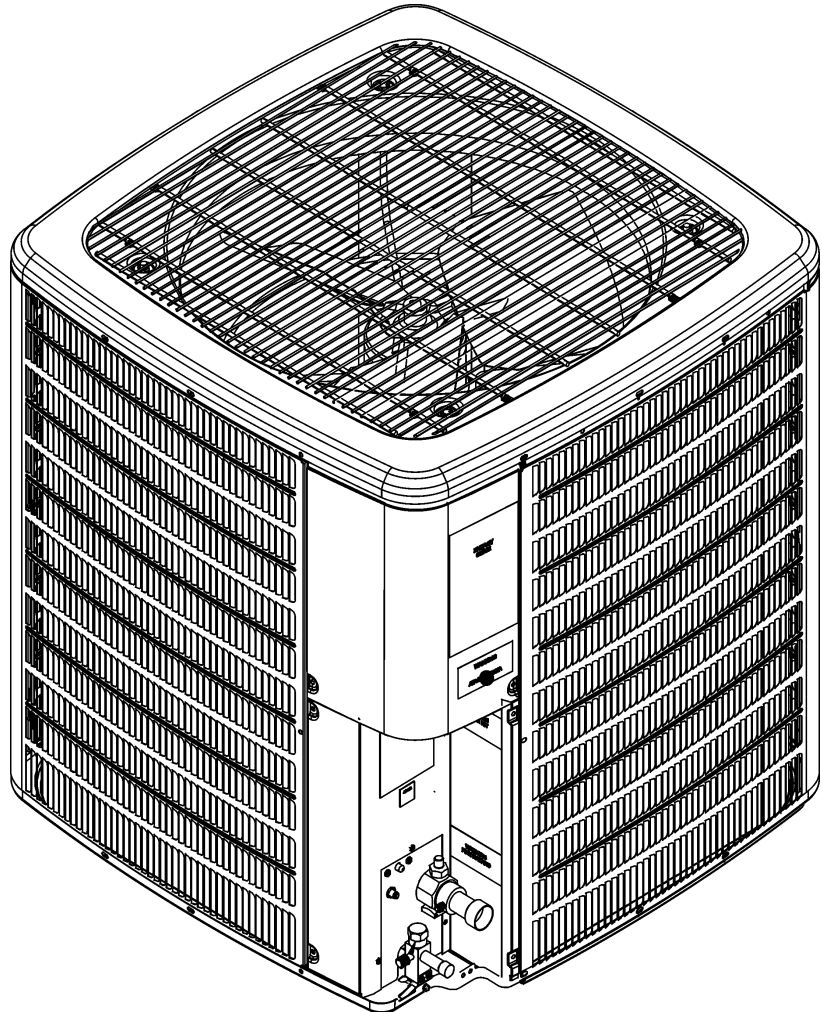


GSH10 3-Phase Remote Heat Pump

- GSH100903AA
- GSH100903AB
- GSH100903BA
- GSH100903BB
- GSH100903BC
- GSH100904AA
- GSH100904AB
- GSH100904BA
- GSH100904BB
- GSH100904BC
- GSH101203AA
- GSH101203AB
- GSH101203AD
- GSH101203AE
- GSH101203AF
- GSH101204AA
- GSH101204AB
- GSH101204AC
- GSH101204AD
- GSH101204AE



This manual is to be used by qualified technicians only.

This manual replaces RP-364D.

© 2006,2011,2014,2016 Goodman Manufacturing Company, L.P. ♦ 5151 San Felipe St., Suite 500 ♦ Houston, TX 77056

Important Information

Index

Functional Parts List	3
Illustration and Parts	4 - 9

Views shown are for parts illustrations only, not servicing procedures

Text Codes:

AR - As Required

NA - Not Available

NS - Not Shown

00000000 - See Note

QTY - Quantity Example (QTY 3) (If Quantity not shown, Quantity = 1)

M - Model Example (M1) (If M Code not shown, then part is used on all Models)

Expanded Model Nomenclature:

Example M1 - Model#1 M2 - Model#2 M3 - Model#3

Goodman Manufacturing Company, L.P. is not responsible for personal injury or property damage resulting from improper service. Review all service information before beginning repairs.

Warranty service must be performed by an authorized technician, using authorized factory parts. If service is required after the warranty expires, Goodman Manufacturing Company, L.P. also recommends contacting an authorized technician and using authorized factory parts.

Goodman Manufacturing Company, L.P. reserves the right to discontinue, or change at any time, specifications or designs without notice or without incurring obligations.

For assistance within the U.S.A. contact:
Consumer Affairs Department
Goodman Manufacturing Company, L.P.
7401 Security Way
Houston, Texas 77040
877-254-4729-Telephone
713-863-2382-Facsimile

For assistance outside the U.S.A. contact:
International Division
Goodman Manufacturing Company, L.P.
7401 Security Way
Houston, Texas 77040
713-861-2500-Telephone
713-863-2382-Facsimile

Functional Parts

Part

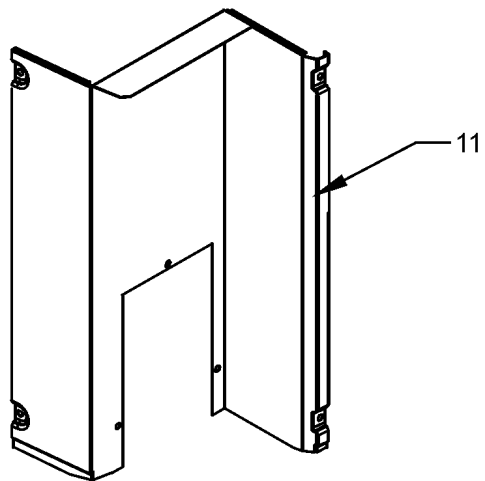
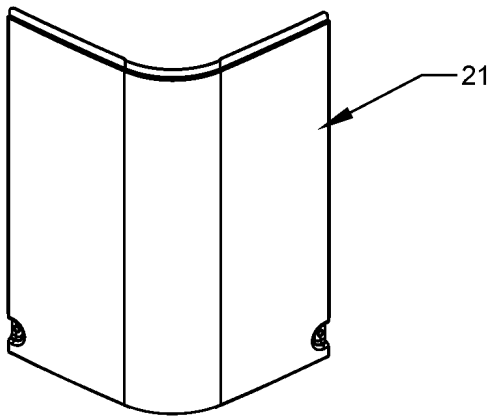
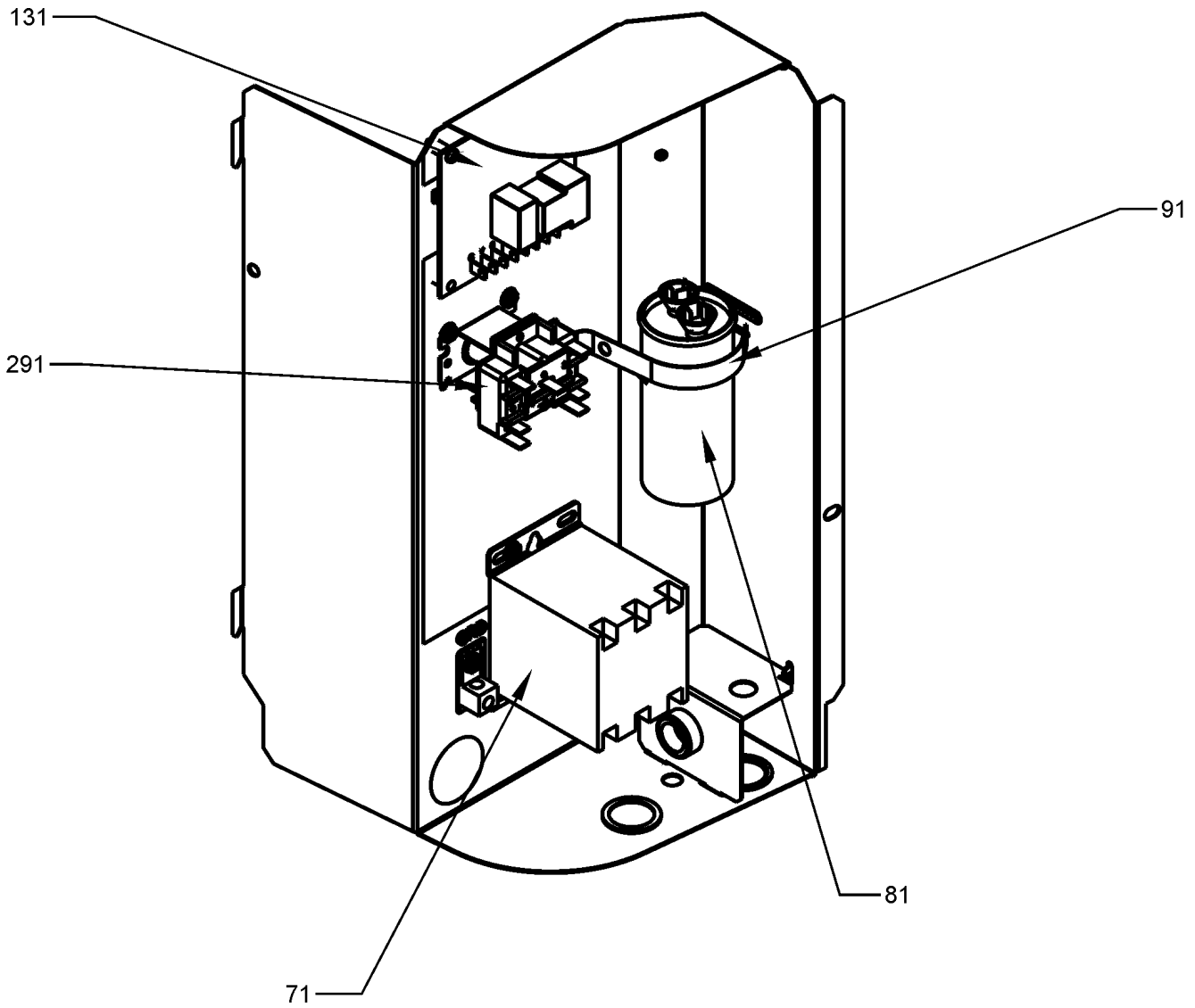
No: **Description:**

Part No:	Description:	Expanded Model Nomenclature
0130M00025	24V RELAY	M1 - GSH100903AA
CAP200000440CP	CAP, 20 MFD/440V/ RD	M2 - GSH100903AB
ZR108KCTF5250	COMP,10900,200/230/60/3 (M11, M12, M13)	M3 - GSH100903BA
ZR108KCETF5250	COMP,10900,200/230/60/3 (M14, M15)	M4 - GSH100903BB
ZR108KCTFD250	COMP,10900,460/60/3 (M16, M17, M18)	M5 - GSH100903BC
ZR108KCETFD250	COMP,10900,460/60/3 (M19, M20)	M6 - GSH100904AA
ZR84KCTFD250	COMP,85500,460/60/3 (M6, M7, M8)	M7 - GSH100904AB
ZR84KCTF5250	COMP,85500/200/230/60/3 (M1, M2, M3)	M8 - GSH100904BA
ZR84KCETF5250	COMP,85500/200/230/60/3 (M4, M5)	M9 - GSH100904BB
ZR84KCETFD250	COMP,85500460/60/3 (M9, M10)	M10 - GSH100904BC
0131M00040	COND MOTOR 1 HP, 1 SP, 230V (M1, M2, M3, M4, M5, M11, M12, M13, M14, M15)	M11 - GSH101203AA
0131M00041	COND MOTOR 1 HP, 1 SP, 460V (M6, M7, M8, M9, M10, M16, M17, M18, M19, M20)	M12 - GSH101203AB
CONT3P040024V	CONTACTOR 40 AMP, 3P, 24V	M13 - GSH101203AD
0130M00105	CONTROL DEFROST	M14 - GSH101203AE
B1243732	CRANKCASE HEATER 460V, 75 WATTS (M6, M7, M8, M9, M10, M16, M17, M18, M19, M20)	M15 - GSH101203AF
0163L00062	CRANKCASE HEATER 75W, 240V (M1, M2, M3, M4, M5, M11, M12, M13, M14, M15)	M16 - GSH101204AA
B1360721	CUT-OUT SWITCH, HIGH PRESSURE	M17 - GSH101204AB
0130R00058	CUT-OUT SWITCH, LOW PRESSURE	M18 - GSH101204AC
PCBDM133	DEFROST CONTROL BOARD (M1, M2, M6, M7, M11, M12, M16, M17)	M19 - GSH101204AD
PCBDM101	DEFROST CONTROL BOARD (M3, M4, M5, M8, M9, M10, M13, M14, M15, M18, M19, M20)	M20 - GSH101204AE
B1225022	SOLENOID COIL	
B1225020	SOLENOID COIL CORD W/1/4" TERMINAL (M1, M2, M6, M7)	
0130M00083	SOLENOID HARNESS W/1/4" TERM (M3, M4, M5, M8, M9, M10, M11, M12, M13, M14, M15, M16, M17, M18, M19, M20)	

SPECIAL PARTS

0161R00009P	NAMEPLATE
B1372801	SIGHT GLASS CL90/120

CONTROL COVER/CONTROL BOX



CONTROL COVER/CONTROL BOX

Ref. Part No:	Part No:	Description:	Ref. Part No:	Part No:	Description:
---------------	----------	--------------	---------------	----------	--------------

Image 1:

11	0121R00330PDG	LOWER ACCESS PANEL (M3, M4, M5, M8, M9, M10, M13, M14, M15, M18, M19, M20)
11	4400211PDG	LOWER ACCESS PANEL (M11, M12, M16, M17)
11	4400212PDG	LOWER ACCESS PANEL (M1, M2, M6, M7)
21	0121R00053PDG	CONTROL COVER (M2, M3, M4, M5, M7, M8, M9, M10, M12, M13, M14, M15, M17, M18, M19, M20)
21	4400064PDG	CONTROL COVER (M1, M6, M11, M16)
71	CONT3P040024V	CONTACTOR 40 AMP, 3P, 24V
81	CAP200000440CP	CAP, 20 MFD/440V/ RD
91	4400065	CAPACITOR STRAP
131	PCBDM101	DEFROST CONTROL BOARD (M3, M4, M5, M8, M9, M10, M13, M14, M15, M18, M19, M20)
131	PCBDM133	DEFROST CONTROL BOARD (M1, M2, M6, M7, M11, M12, M16, M17)
291	0130M00025	24V RELAY
NS	0161R00009P	NAMEPLATE

Expanded Model Nomenclature

M1 - GSH100903AA
M2 - GSH100903AB
M3 - GSH100903BA
M4 - GSH100903BB
M5 - GSH100903BC
M6 - GSH100904AA
M7 - GSH100904AB
M8 - GSH100904BA
M9 - GSH100904BB
M10 - GSH100904BC
M11 - GSH101203AA
M12 - GSH101203AB
M13 - GSH101203AD
M14 - GSH101203AE
M15 - GSH101203AF
M16 - GSH101204AA
M17 - GSH101204AB
M18 - GSH101204AC
M19 - GSH101204AD
M20 - GSH101204AE

COMPRESSOR/TUBING ASSEMBLY

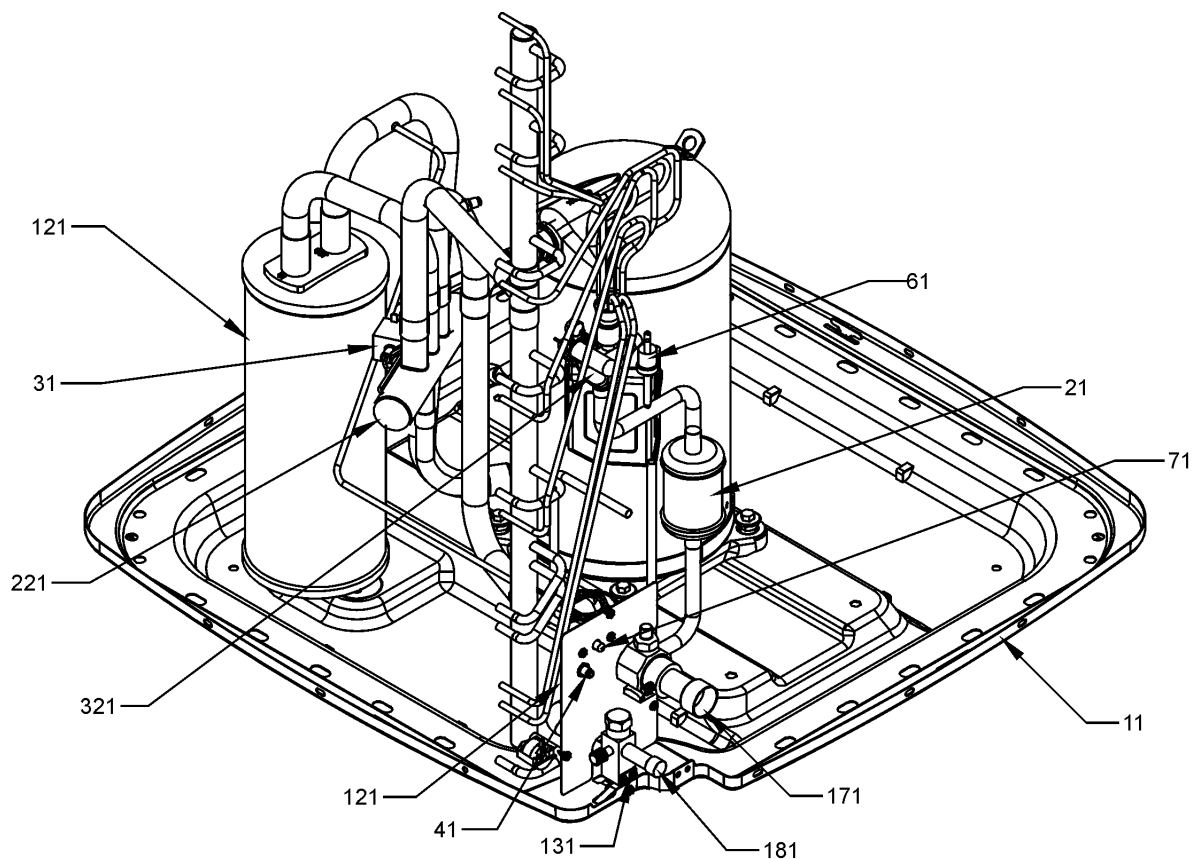


Image 1

Image 2

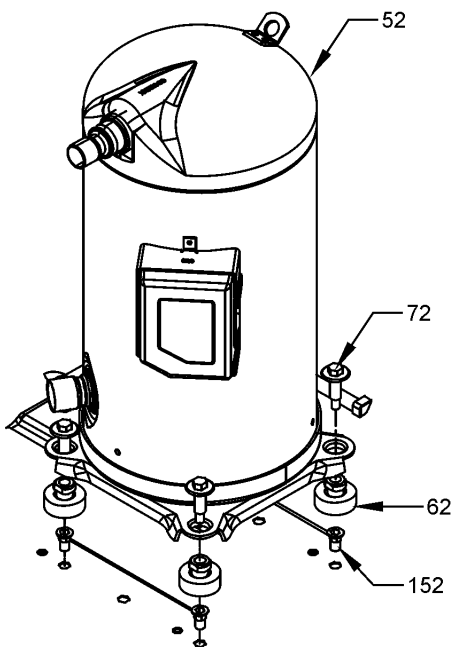
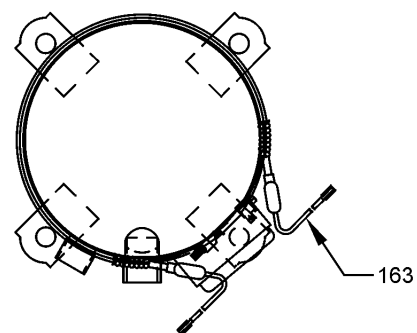


Image 3



TOP VIEW OF COMPRESSOR

COMPRESSOR/TUBING ASSEMBLY

Ref. Part

No: No: Description:

Ref. Part

No: No: Description:

Image 1:

11	0121R00007PDG	BASE PAN 35" (M2, M3, M4, M5, M7, M8, M9, M10, M12, M13, M14, M15, M17, M18, M19, M20)
11	4400012PDG	BASE PAN, 35" PNT (M1, M6, M11, M16)
21	B1219227	FILTER DRIER (BI-FLOW)
31	B1225020	SOLENOID COIL CORD W/1/4" TERMINAL (M1, M2, M6, M7)
31	0130M00083	SOLENOID HARNESS W/1/4" TERM (M3, M4, M5, M8, M9, M10, M11, M12, M13, M14, M15, M16, M17, M18, M19, M20)
41	B1787000	VALVE CORE
61	0130R00058	CUT-OUT SWITCH, LOW PRESSURE
71	B1360721	CUT-OUT SWITCH, HIGH PRESSURE
121	B1226212	ACCUMULATOR
131	4400031	VALVE BRACKET
171	0151R00077	BASE VALVE 5/8"
181	B1282574	1 1/8" SERVICE VALVE (M1, M2, M6, M7)
181	0151R00030	BASE VALVE 1 1/8" (M3, M4, M5, M8, M9, M10, M11, M12, M13, M14, M15, M16, M17, M18, M19, M20)
221	0151R00000P	VALVE, REVERSING CPLE120 (M3, M4, M5, M8, M9, M10, M11, M12, M13, M14, M15, M16, M17, M18, M19, M20)
221	0151R00001P	VALVE, REVERSING CPLE090 (M1, M2, M6, M7)
321	0151R00008	EXPANSION VALVE/DIST TUBE ASSY (M11, M12, M13, M14, M15, M16, M17, M18, M19, M20)
321	0151R00010	EXPANSION VALVE/DIST TUBE ASSY (M1, M2, M6, M7)
321	0151R00031	EXPANSION VALVE/DIST TUBE ASSY (M3, M4, M5, M8, M9, M10)
NS	B1372801	SIGHT GLASS CL90/120
NS	B1225022	SOLENOID COIL

Expanded Model Nomenclature

M1 - GSH100903AA
M2 - GSH100903AB
M3 - GSH100903BA
M4 - GSH100903BB
M5 - GSH100903BC
M6 - GSH100904AA
M7 - GSH100904AB
M8 - GSH100904BA
M9 - GSH100904BB
M10 - GSH100904BC
M11 - GSH101203AA
M12 - GSH101203AB
M13 - GSH101203AD
M14 - GSH101203AE
M15 - GSH101203AF
M16 - GSH101204AA
M17 - GSH101204AB
M18 - GSH101204AC
M19 - GSH101204AD
M20 - GSH101204AE

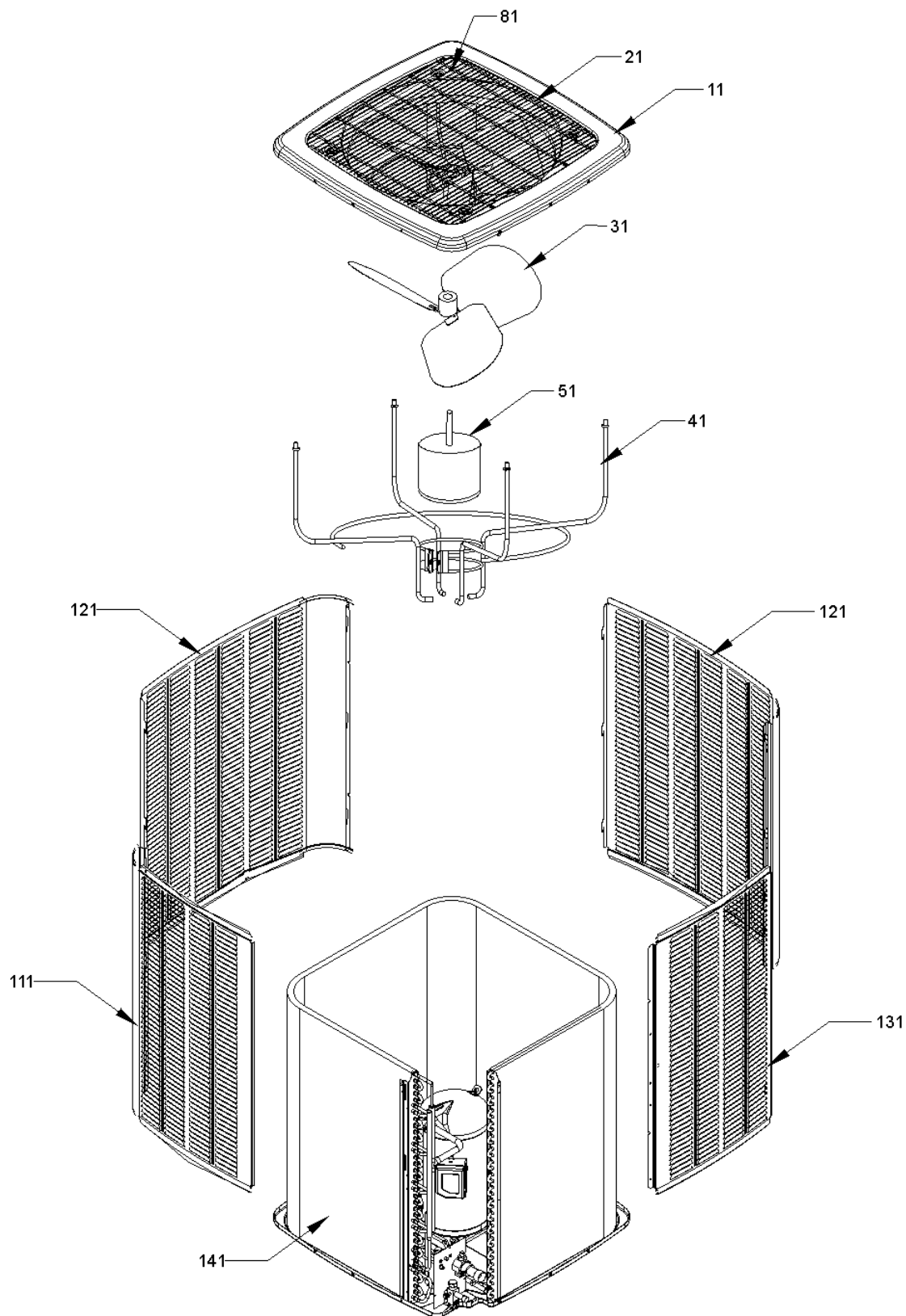
Image 2:

52	ZR108KCETF5250	COMP,10900,200/230/60/3 (M14, M15)
52	ZR108KCTF5250	COMP,10900,200/230/60/3 (M11, M12, M13)
52	ZR108KCETFD250	COMP,10900,460/60/3 (M19, M20)
52	ZR108KCTFD250	COMP,10900,460/60/3 (M16, M17, M18)
52	ZR84KCTFD250	COMP,85500,460/60/3 (M6, M7, M8)
52	ZR84KCETF5250	COMP,85500/200/230/60/3 (M4, M5)
52	ZR84KCTF5250	COMP,85500/200/230/60/3 (M1, M2, M3)
52	ZR84KCETFD250	COMP,85500460/60/3 (M9, M10)
62	0164M00018	COMPRESSOR GROMMET (QTY 4)
72	B1393740	COMPRESSOR BOLT & SLEEVE (QTY 4)
152	B1393027	HEX NUT INSERT 5/16-18 (QTY 4)

Image 3:

163	B1243732	CRANKCASE HEATER 460V, 75 WATTS (M6, M7, M8, M9, M10, M16, M17, M18, M19, M20)
163	0163L00062	CRANKCASE HEATER 75W, 240V (M1, M2, M3, M4, M5, M11, M12, M13, M14, M15)

COIL/CABINET TOP/SIDE PANELS



COIL/CABINET TOP/SIDE PANELS

Ref. Part No: No:	Description:	Ref. Part No: No:	Description:
<i>Image 1:</i>		Expanded Model Nomenclature	
11	4400094PDG	PANEL, TOP, VENTURI 35", PNT (M1, M6, M11, M16)	M1 - GSH100903AA
11	0121R00013PDG	VENTURI TOP PANEL 35" (M2, M3, M4, M5, M7, M8, M9, M10, M12, M13, M14, M15, M17, M18, M19, M20)	M2 - GSH100903AB
21	0152R00013	WIRE GRILL 35"	M3 - GSH100903BA
31	B1086768	FAN BLADE 26" (M1, M6, M11, M16)	M4 - GSH100903BB
31	0150M00049	FAN BLADE, 26" (M2, M3, M4, M5, M7, M8, M9, M10, M12, M13, M14, M15, M17, M18, M19, M20)	M5 - GSH100903BC
41	0121R00301	BRACKET, MOTOR MOUNTING	M6 - GSH100904AA
51	0131M00040	COND MOTOR 1 HP, 1 SP, 230V (M1, M2, M3, M4, M5, M11, M12, M13, M14, M15)	M7 - GSH100904AB
51	0131M00041	COND MOTOR 1 HP, 1 SP, 460V (M6, M7, M8, M9, M10, M16, M17, M18, M19, M20)	M8 - GSH100904BA
81	0163M00003P	SCREW #10 X 1/2, A, SLOT, SR, BLACK (QTY 2)	M9 - GSH100904BB
111	0121R00044PDGB	LOUVERED SIDE PANEL (M2, M7)	M10 - GSH100904BC
111	0121R00043PDGB	LOUVERED SIDE PANEL [LT OF CNTL PNL] (M3, M4, M5, M8, M9, M10, M12, M13, M14, M15, M17, M18, M19, M20)	M11 - GSH101203AA
111	4400138PDG	LOUVERED SIDE PANEL [LT OF CNTL PNL] (M11, M16)	M12 - GSH101203AB
111	4400183PDG	LOUVERED SIDE PANEL [LT OF CNTL PNL] (M1, M6)	M13 - GSH101203AD
121	0121R00047PDGB	LOUVERED SIDE PANEL (M3, M4, M5, M8, M9, M10, M12, M13, M14, M15, M17, M18, M19, M20)	M14 - GSH101203AE
121	0121R00048PDGB	LOUVERED SIDE PANEL (M2, M7)	M15 - GSH101203AF
121	4400140PDG	LOUVERED SIDE PANEL (M11, M16)	M16 - GSH101204AA
121	4400190PDG	LOUVERED SIDE PANEL (M1, M6)	M17 - GSH101204AB
131	0121R00052PDG	LOUVERED SIDE PANEL (M2, M7)	M18 - GSH101204AC
131	0121R00051PDG	LOUVERED SIDE PANEL [RT OF CNTL PNL] (M3, M4, M5, M8, M9, M10, M12, M13, M14, M15, M17, M18, M19, M20)	M19 - GSH101204AD
131	4400142PDG	LOUVERED SIDE PANEL [RT OF CNTL PNL] (M11, M16)	M20 - GSH101204AE
131	4400197PDG	LOUVERED SIDE PANEL [RT OF CNTL PNL] (M1, M6)	
141	0201R00085	COIL TBG 36XL 9CR 1CTC (M11, M12, M13, M14, M15, M16, M17, M18, M19, M20)	
141	0201R00397	COIL TBG 36XL 9CR 1CTC (M3, M4, M5, M8, M9, M10)	
141	0201R00083	COIL TBG 40XL 8CR 1CTC (M1, M2, M6, M7)	
NS	0130M00105	CONTROL DEFROST	