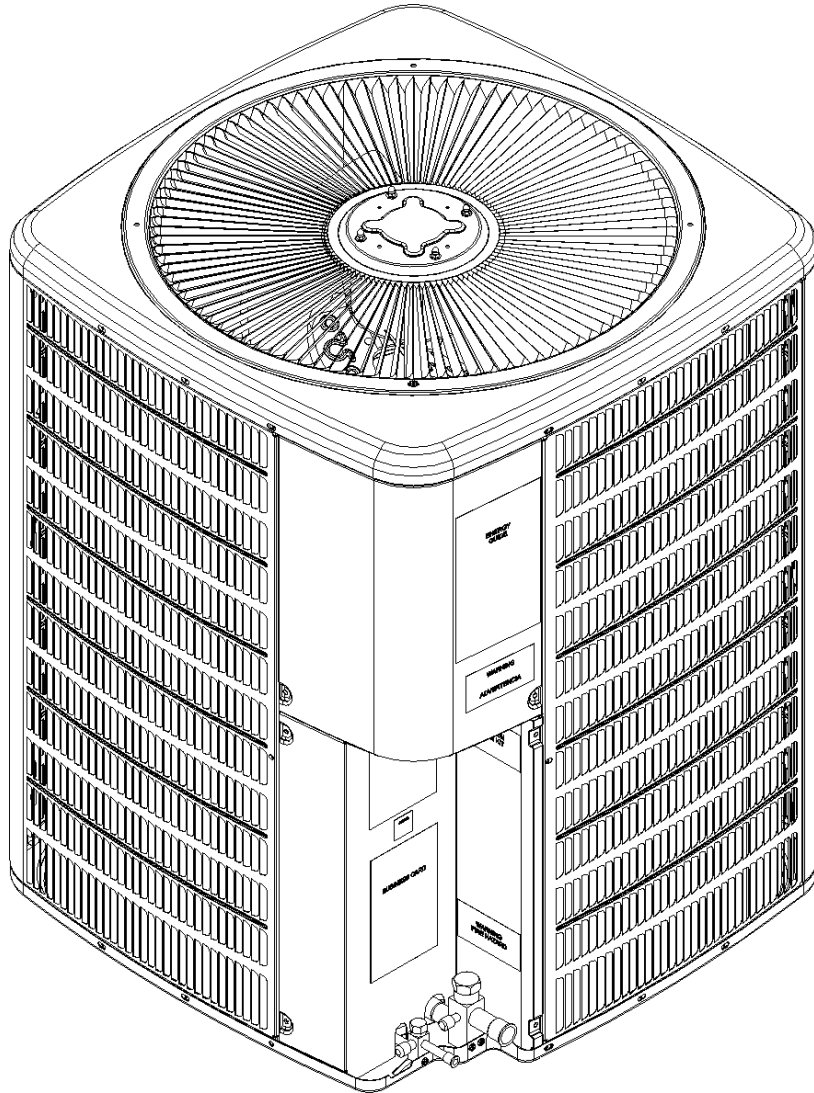


REPAIR PARTS

GSC13

GSC130421BA
GSC130481BA
GSC130483BA
GSC130484BA
GSC130484BB
GSC130601CA
GSC130603BA
GSC130604BA
GSC130604BB



This manual is to be used by qualified technicians only.

This manual replaces RP-503A

© 2009 Goodman Manufacturing Company, L.P. ♦ 5151 San Felipe, Suite 500 ♦ Houston, TX 77056

Important Information

Index

Functional Parts List	3
Illustration and Parts	4 - 9

Views shown are for parts illustrations only, not servicing procedures.

Text Codes:

AR - As Required

NA - Not Available

NS - Not Shown

00000000 - See Note

QTY - Quantity Example (QTY 3) (If Quantity not shown, Quantity = 1)

M - Model Example (M1) (If M Code not shown, then part is used on all Models)

Expanded Model Nomenclature:

Example M1 - Model#1 M2 - Model#2 M3 - Model#3

Goodman Manufacturing Company, L.P. is not responsible for personal injury or property damage resulting from improper service. Review all service information before beginning repairs.

Warranty service must be performed by an authorized technician, using authorized factory parts. If service is required after the warranty expires, Goodman Manufacturing Company, L.P. also recommends contacting an authorized technician and using authorized factory parts.

Goodman Manufacturing Company, L.P. reserves the right to discontinue, or change at any time, specifications or designs without notice or without incurring obligations.

For assistance within the U.S.A. contact:
Consumer Affairs Department
Goodman Manufacturing Company, L.P.
7401 Security Way
Houston, Texas 77040
877-254-4729-Telephone
713-863-2382-Facsimile

For assistance outside the U.S.A. contact:
International Division
Goodman Manufacturing Company, L.P.
7401 Security Way
Houston, Texas 77040
713-861-2500-Telephone
713-863-2382-Facsimile

Functional Parts

Part

No: Description:

CAP050000370VAS	CAPACITOR 5/370V (M3, M4, M5, M7, M8, M9)
CAP050550440RTS	CAPACITOR 5/55/440V (M1, M2)
CAP050600440RTS	CAPACITOR 5/60/440V (M6)
ZR48K5TFD800	COMP, 48900/460/60/3 (M8, M9)
ZR42K5TF5800	COMP,40600,208/230/60/3 (M3)
ZR42K5TFD800	COMP,40600,460/60/3 (M4, M5)
ZR48K5TF5800	COMP,49100,200/230/60/3 (M7)
ZR38KAPFV830	COMPRESSOR 38000, 208/230/60/1 (M1)
ZR40K3PFV930	COMPRESSOR 40600, 208/230/60/1 (M2)
ZR48K3PFV935	COMPRESSOR 49800, 208/230/60/1 (M6)
0131M00018PS	COND MOTOR 1/4 HP, 1 SP, 6 PL (M1, M2, M3, M6, M7)
0131M00022S	COND MOTOR 1/4 HP, 8 PL, 460V (M4, M5, M8, M9)
CONT2P025024VS	CONTACTOR 25 AMP, 2P, 24V (M1, M2)
CONT3P025024VS	CONTACTOR 25 AMP, 3P, 24V (M3, M4, M5, M7, M8, M9)
CONT2P030024VS	CONTACTOR 30 AMP, 2P, 24V (M6)
0201R00278	TUBING ASSY, COND COIL (M1)
0201R00262	TUBING ASSY, COND COIL (M6, M7, M8, M9)
0201R00249	TUBING ASSY, COND COIL (M2, M3, M4, M5)

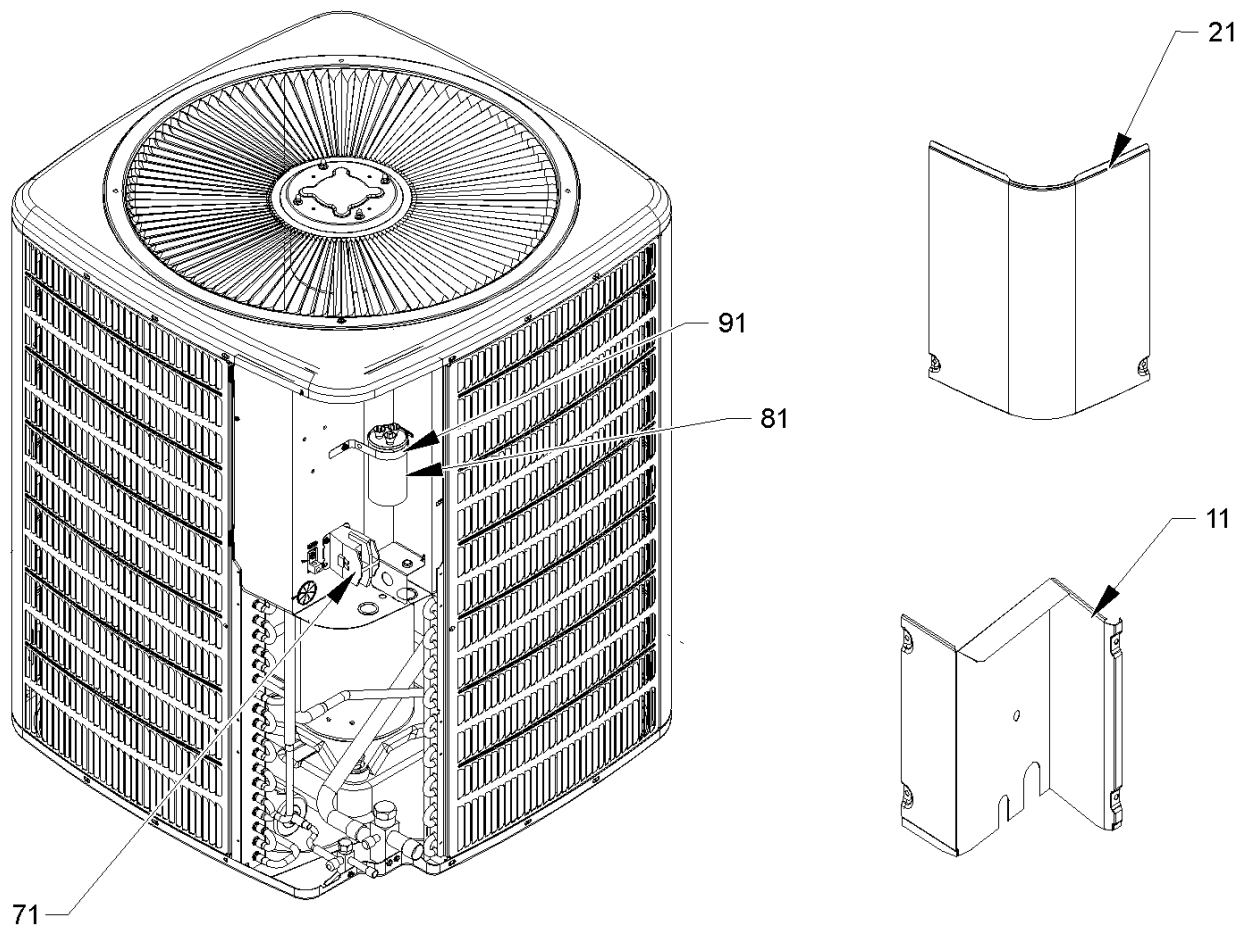
SPECIAL PARTS

B1789884	FLOW CHECK PISTON KIT .084 (M1)
B1789888	FLOW CHECK PISTON KIT .088 (M2, M3, M4, M5)
B1789893	FLOW CHECK PISTON KIT .093 (M6, M7, M8, M9)
0161R00009P	NAMEPLATE

Expanded Model Nomenclature

M1 - GSC130421BA
M2 - GSC130481BA
M3 - GSC130483BA
M4 - GSC130484BA
M5 - GSC130484BB
M6 - GSC130601CA
M7 - GSC130603BA
M8 - GSC130604BA
M9 - GSC130604BB

Control Cover/Control Box



Control Cover/Control Box

Ref. Part No:	Part No:	Description:	Ref. Part No:	Part No:	Description:
---------------	----------	--------------	---------------	----------	--------------

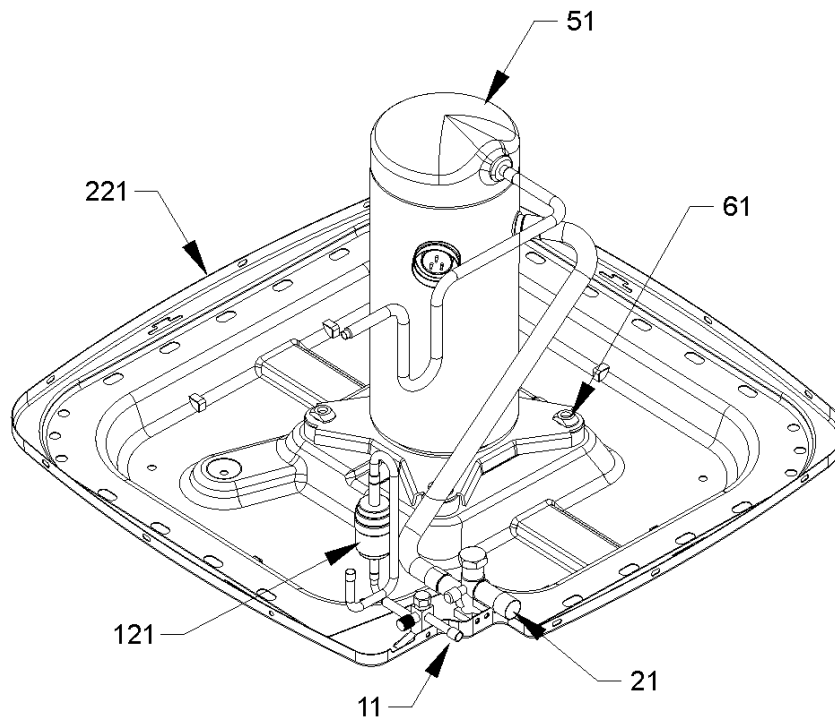
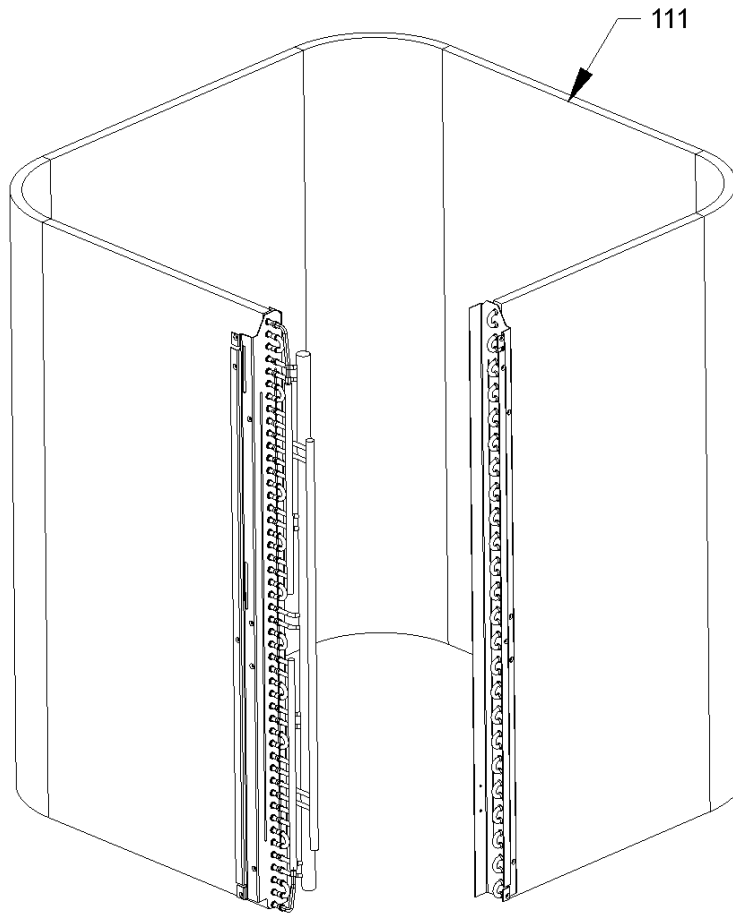
Image 1:

11	0121R00096PDG	LOWER ACCESS PANEL (M1)
11	0121R00098PDG	LOWER ACCESS PANEL (M2, M3, M4, M5)
11	0121R00155PDG	LOWER ACCESS PANEL (M6, M7, M8, M9)
21	0121R00053PDG	CONTROL COVER
71	CONT2P025024VS	CONTACTOR 25 AMP, 2P, 24V (M1, M2)
71	CONT3P025024VS	CONTACTOR 25 AMP, 3P, 24V (M3, M4, M5, M7, M8, M9)
71	CONT2P030024VS	CONTACTOR 30 AMP, 2P, 24V (M6)
81	CAP050000370VAS	CAPACITOR 5/370V (M3, M4, M5, M7, M8, M9)
81	CAP050550440RTS	CAPACITOR 5/55/440V (M1, M2)
81	CAP050600440RTS	CAPACITOR 5/60/440V (M6)
91	4400065	CAPACITOR STRAP
NS	0161R00009P	NAMEPLATE

Expanded Model Nomenclature

M1 - GSC130421BA
M2 - GSC130481BA
M3 - GSC130483BA
M4 - GSC130484BA
M5 - GSC130484BB
M6 - GSC130601CA
M7 - GSC130603BA
M8 - GSC130604BA
M9 - GSC130604BB

Coil/Compressor/Tubing Assembly



Coil/Compressor/Tubing Assembly

Ref. Part No: No:	Description:	Ref. Part No: No:	Description:
-------------------	--------------	-------------------	--------------

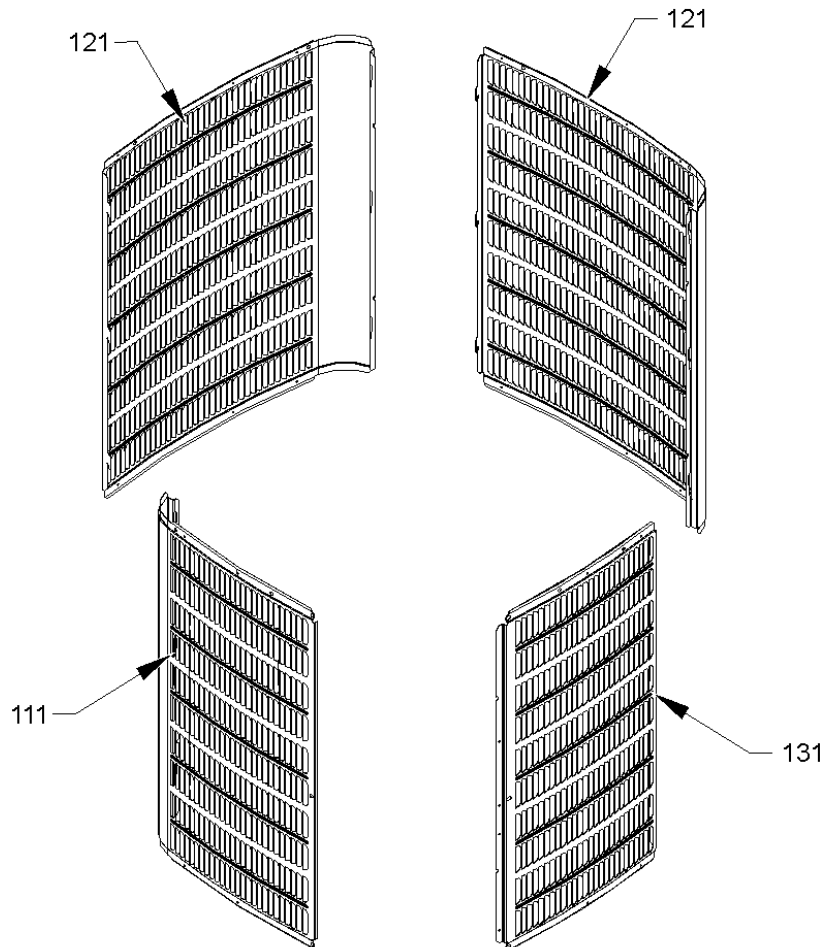
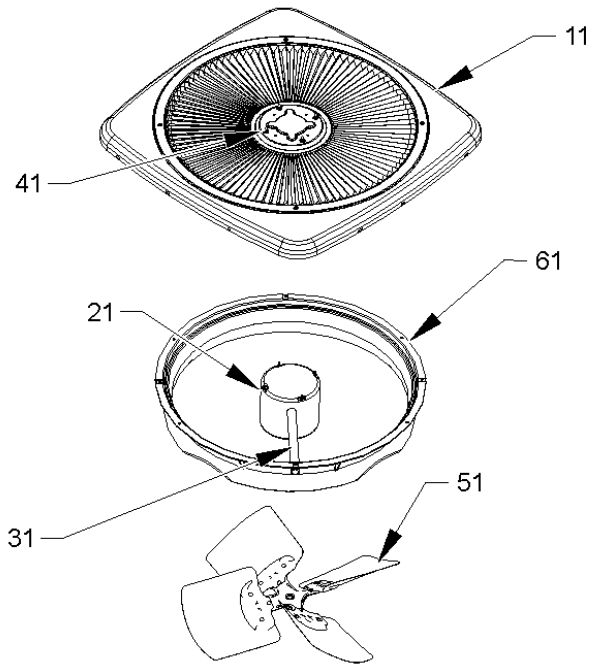
Image 1:

11	B12825171	3/8" SERVICE VALVE
21	0151R00033	VALVE, BASE 7/8" OPEN LEFT
51	ZR48K5TFD800	COMP, 48900/460/60/3 (M8, M9)
51	ZR42K5TF5800	COMP,40600,208/230/60/3 (M3)
51	ZR42K5TFD800	COMP,40600,460/60/3 (M4, M5)
51	ZR48K5TF5800	COMP,49100,200/230/60/3 (M7)
51	ZR38KAPFV830	COMPRESSOR 38000, 208/230/60/1 (M1)
51	ZR40K3PFV930	COMPRESSOR 40600, 208/230/60/1 (M2)
51	ZR48K3PFV935	COMPRESSOR 49800, 208/230/60/1 (M6)
61	B1339533	COMPRESSOR GROMMET (QTY 4)
111	0201R00249	TUBING ASSY, COND COIL (M2, M3, M4, M5)
111	0201R00262	TUBING ASSY, COND COIL (M6, M7, M8, M9)
111	0201R00278	TUBING ASSY, COND COIL (M1)
121	B1219225	SINGLE-FLOW FILTER DRIER, STEEL
221	0121R00006PDG	BASE PAN 29"
NS	0159R00002P	COMPRESSOR SCROLL HARNESS (M1)
NS	B1789884	FLOW CHECK PISTON KIT .084 (M1)
NS	B1789888	FLOW CHECK PISTON KIT .088 (M2, M3, M4, M5)
NS	B1789893	FLOW CHECK PISTON KIT .093 (M6, M7, M8, M9)
NS	0110R00752	LIQUIDLINE-BOTTOM
NS	M0221641	TF SHOULDER SCREW (QTY 4)

Expanded Model Nomenclature

M1 - GSC130421BA
M2 - GSC130481BA
M3 - GSC130483BA
M4 - GSC130484BA
M5 - GSC130484BB
M6 - GSC130601CA
M7 - GSC130603BA
M8 - GSC130604BA
M9 - GSC130604BB

Cabinet Top/Side Panels



Cabinet Top/Side Panels

Ref. Part No:	Ref. Part No:	Description:	Description:
---------------	---------------	--------------	--------------

Image 1:

11	0121R00010PDGS	PANEL, TOP 29" PNT
21	0131M00018PS	COND MOTOR 1/4 HP, 1 SP, 6 PL (M1, M2, M3, M6, M7)
21	0131M00022S	COND MOTOR 1/4 HP, 8 PL, 460V (M4, M5, M8, M9)
31	0161R00002P	CONDUIT
41	0163M00006P	ACORN NUT 5/16 HEX BLACK (QTY 4)
51	B1086775S	FAN BLADE 22" (M1, M2, M3)
51	0150M00008S	FAN BLADE 22" TNT2203-25 (M4, M5, M8, M9)
51	B1086750S	FAN BLADE 22", 3 BLADE, 24° (M6, M7)
61	0161L00000	VENTURI RING 22"
111	0121R00175PDGB	LOUVERED SIDE PANEL (M6, M7, M8, M9)
111	0121R00125PDGB	LOUVERED SIDE PANEL [LT OF CNTL PNL] (M1)
111	0121R00127PDGB	LOUVERED SIDE PANEL [LT OF CNTL PNL] (M2, M3, M4, M5)
121	0121R00132PDGB	LOUVERED SIDE PANEL (M1)
121	0121R00134PDGB	LOUVERED SIDE PANEL (M2, M3, M4, M5)
121	0121R00176PDGB	LOUVERED SIDE PANEL (M6, M7, M8, M9)
131	0121R00177PDG	LOUVERED SIDE PANEL (M6, M7, M8, M9)
131	0121R00139PDG	LOUVERED SIDE PANEL [RT OF CNTL PNL] (M1)
131	0121R00141PDG	LOUVERED SIDE PANEL [RT OF CNTL PNL] (M2, M3, M4, M5)

Expanded Model Nomenclature

M1 - GSC130421BA
M2 - GSC130481BA
M3 - GSC130483BA
M4 - GSC130484BA
M5 - GSC130484BB
M6 - GSC130601CA
M7 - GSC130603BA
M8 - GSC130604BA
M9 - GSC130604BB