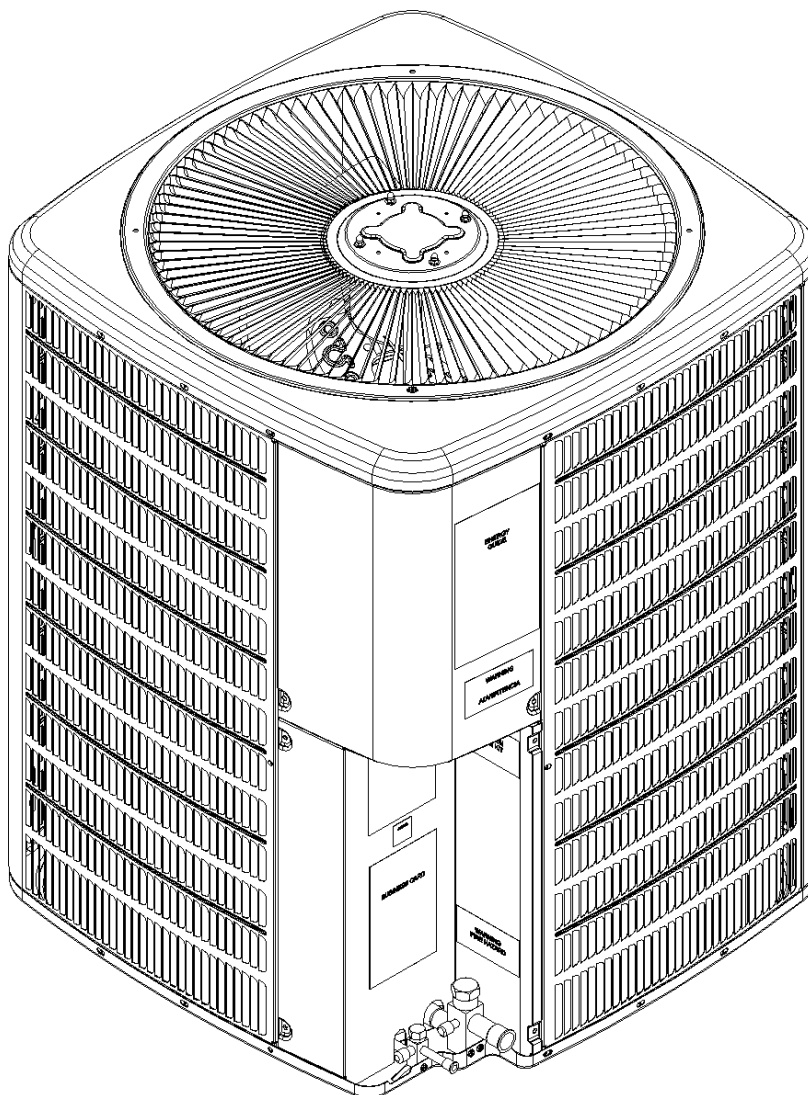


REPAIR PARTS

GSC13 Remote Condensing Units

GSC130181AC
GSC130181AD
GSC130181AE
GSC130181BA
GSC130241AC
GSC130241AD
GSC130241AE
GSC130241DA
GSC130301AC
GSC130301AD
GSC130301AE
GSC130301CA
GSC130301DA
GSC130361DC
GSC130361DD
GSC130361DE
GSC130361FA
GSC130363AD
GSC130363AE
GSC130363AF
GSC130363BA
GSC130421AC
GSC130481AD
GSC130481AE
GSC130481AF
GSC130481AG
GSC130483AD
GSC130483AE
GSC130483AF
GSC130484AC



This manual is to be used by qualified technicians only.

This manual replaces RP-451F.

© 2007-2009 Goodman Manufacturing Company, L.P. ♦ 5151 San Felipe, Suite 500 ♦ Houston, TX 77056

Important Information

Index

Functional Parts List	3
Illustration and Parts	4 - 9

Views shown are for parts illustrations only, not servicing procedures.

Rev. G: Changed GSC130301DA compressor from CR28K6PFV920 to CR23K7PFV930.

Text Codes:

AR - As Required

NA - Not Available

NS - Not Shown

00000000 - See Note

QTY - Quantity Example (QTY 3) (If Quantity not shown, Quantity = 1)

M - Model Example (M1) (If M Code not shown, then part is used on all Models)

Expanded Model Nomenclature:

Example M1 - Model#1 M2 - Model#2 M3 - Model#3

Goodman Manufacturing Company, L.P. is not responsible for personal injury or property damage resulting from improper service. Review all service information before beginning repairs.

Warranty service must be performed by an authorized technician, using authorized factory parts. If service is required after the warranty expires, Goodman Manufacturing Company, L.P. also recommends contacting an authorized technician and using authorized factory parts.

Goodman Manufacturing Company, L.P. reserves the right to discontinue, or change at any time, specifications or designs without notice or without incurring obligations.

For assistance within the U.S.A. contact:
Consumer Affairs Department
Goodman Manufacturing Company, L.P.
7401 Security Way
Houston, Texas 77040
877-254-4729-Telephone
713-863-2382-Facsimile

For assistance outside the U.S.A. contact:
International Division
Goodman Manufacturing Company, L.P.
7401 Security Way
Houston, Texas 77040
713-861-2500-Telephone
713-863-2382-Facsimile

Functional Parts

Part

No: Description:

Expanded Model Nomenclature

CAP050350440RSS	CAPACITOR 5/35/440V [CONTROL BOX] (M1, M2, M3, M4, M5, M6, M7, M8, M14, M15, M16, M17)	M1 - GSC130181AC M2 - GSC130181AD
CAP050000370VAS	CAPACITOR 5/370V (M18, M19, M20, M21, M27, M28, M29, M30)	M3 - GSC130181AE M4 - GSC130181BA
CAP050400370RSS	CAPACITOR 5/40/370V [CONTROL BOX] (M9, M10, M11, M12, M13)	M5 - GSC130241AC M6 - GSC130241AD
CAP050450370RSS	CAPACITOR 5/45/370V [CONTROL BOX] (M26)	M7 - GSC130241AE
CAP050500440RTS	CAPACITOR 5/50/440V (M22)	M8 - GSC130241DA M9 - GSC130301AC
CAP050550440RTS	CAPACITOR 5/55/440V (M23, M24, M25)	M10 - GSC130301AD M11 - GSC130301AE
CR14K7PFV970	COMPRESSOR 14100, 208/230/60/1 (M1, M2, M3, M4)	M12 - GSC130301CA M13 - GSC130301DA
CR18K7PFV930	COMPRESSOR 17500, 208/230/60/1 (M5, M6, M7, M8)	M14 - GSC130361DC M15 - GSC130361DD
CR23K7PFV930	COMPRESSOR 22600, 208/230/60/1 (M9, M10, M11, M12, M13)	M16 - GSC130361DE M17 - GSC130361FA
CR28K7TF5970	COMPRESSOR 28000, 200/230/60/3 (M18, M19, M20, M21)	M18 - GSC130363AD M19 - GSC130363AE
CR28K7PFV930	COMPRESSOR 28300, 208/230/60/1 (M14, M15, M16, M17)	M20 - GSC130363AF M21 - GSC130363BA
ZR34K3PFV930	COMPRESSOR 34400, 208/230/60/1 (M22)	M22 - GSC130421AC M23 - GSC130481AD
ZR40K3PFV930	COMPRESSOR 40600, 208/230/60/1 (M23, M24, M25)	M24 - GSC130481AE M25 - GSC130481AF
ZR40K3TF5930	COMPRESSOR 40600, 208/230/60/3 (M27, M28, M29)	M26 - GSC130481AG M27 - GSC130483AD
ZR40K3TFD930	COMPRESSOR 40600, 460/60/3 (M30)	M28 - GSC130483AE M29 - GSC130483AF
750325200112	COMPRESSOR-BRISTOL (M26)	M30 - GSC130484AC
0131M00018PS	COND MOTOR 1/4 HP, 1 SP, 6 PL (M22)	
0131M00014PS	COND MOTOR 1/4 HP, 1 SP, 8 PL (M23, M24, M25, M26, M27, M28, M29)	
0131M00022S	COND MOTOR 1/4 HP, 8 PL, 460V (M30)	
0131M00060S	COND MOTOR 1/6 HP, 1 SP, 8 PL (M1, M2, M3, M4, M5, M6, M7, M8, M9, M10, M11, M12, M13, M14, M15, M16, M17, M18, M19, M20, M21)	
CONT2P025024VS	CONTACTOR 25 AMP, 2P, 24V (M1, M2, M3, M4, M5, M6, M7, M8, M9, M10, M11, M12, M13, M14, M15, M16, M17, M22)	
CONT3P025024VS	CONTACTOR 25 AMP, 3P, 24V (M18, M19, M20, M21, M27, M28, M29, M30)	
CONT2P030024VS	CONTACTOR 30 AMP, 2P, 24V (M23, M24, M25, M26)	

SPECIAL PARTS

IO-258F	INSTALLATION INSTRUCTIONS
0161R00009P	NAMEPLATE
RP-451G	REPAIR PARTS MANUAL

Control Cover/Control Box

Image 1

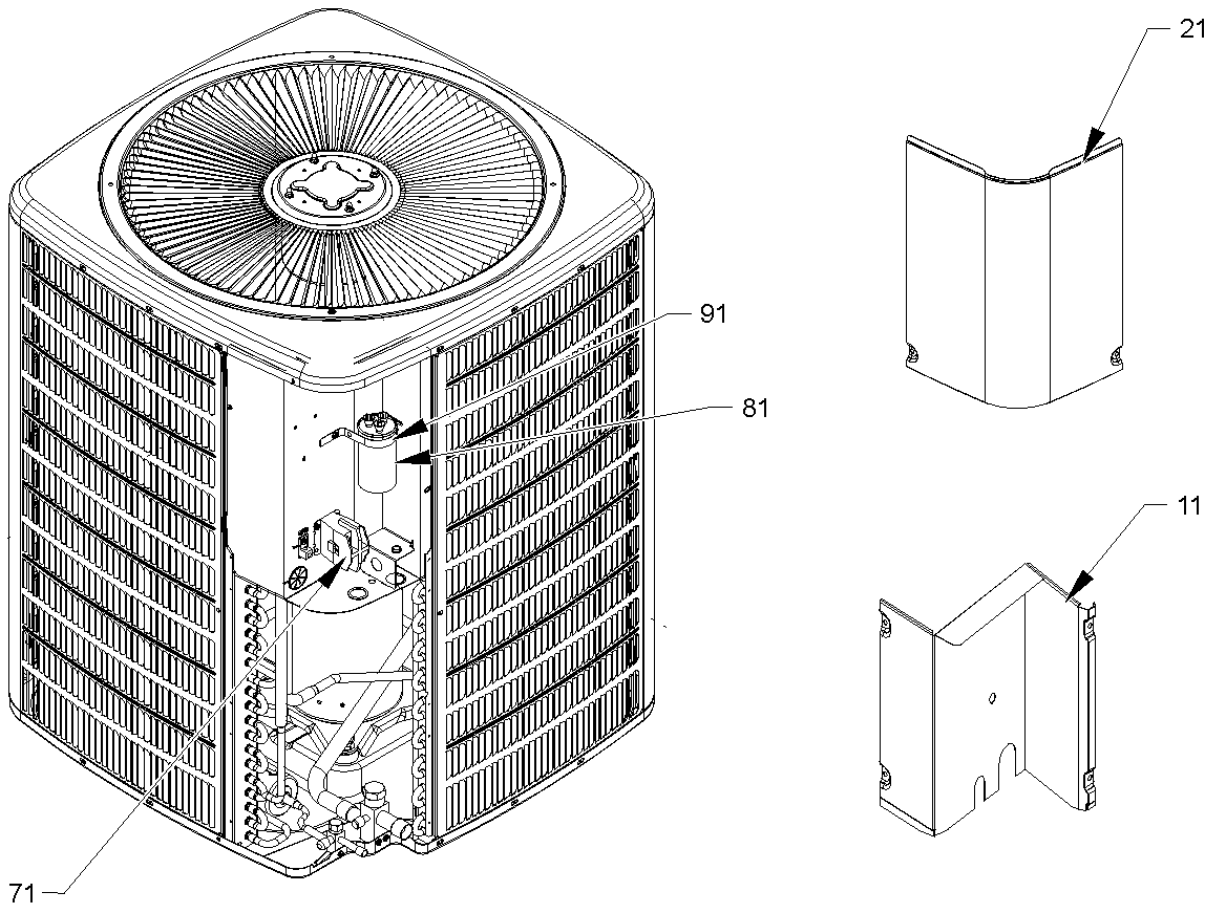
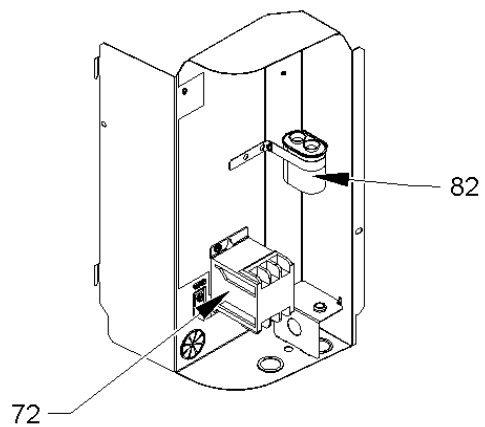


Image 2



Control Cover/Control Box

Ref. Part

No: No: Description:

Ref. Part

No: No: Description:

Image 1:

11	0121R00094PDG	LOWER ACCESS PANEL (M4, M8)
11	0121R00096PDG	LOWER ACCESS PANEL (M13, M17, M21)
11	4400200PDG	LOWER ACCESS PANEL (M1, M2, M3)
11	4400202PDG	LOWER ACCESS PANEL (M12, M14, M15, M16, M18, M19, M20, M22)
11	4400203PDG	LOWER ACCESS PANEL (M5, M6, M7, M9, M10, M11)
11	4400205PDG	LOWER ACCESS PANEL (M23, M24, M25, M26, M27, M28, M29, M30)
21	0121R00053PDG	CONTROL COVER
71	CONT2P025024VS	CONTACTOR 25 AMP, 2P, 24V (M1, M2, M3, M4, M5, M6, M7, M8, M9, M10, M11, M12, M13, M14, M15, M16, M17, M22)
71	CONT2P030024VS	CONTACTOR 30 AMP, 2P, 24V (M23, M24, M25, M26)
81	CAP050350440RSS	CAPACITOR 5/35/440V [CONTROL BOX] (M1, M2, M3, M4, M5, M6, M7, M8, M14, M15, M16, M17)
81	CAP050400370RSS	CAPACITOR 5/40/370V [CONTROL BOX] (M9, M10, M11, M12, M13)
81	CAP050450370RSS	CAPACITOR 5/45/370V [CONTROL BOX] (M26)
81	CAP050500440RTS	CAPACITOR 5/50/440V (M22)
81	CAP050550440RTS	CAPACITOR 5/55/440V (M23, M24, M25)
91	4400065	CAPACITOR STRAP
NS	0161R00009P	NAMEPLATE

Image 2:

72	CONT3P025024VS	CONTACTOR 25 AMP, 3P, 24V (M18, M19, M20, M21, M27, M28, M29, M30)
82	CAP050000370VAS	CAPACITOR 5/370V (M18, M19, M20, M21, M27, M28, M29, M30)

Expanded Model Nomenclature

M1 - GSC130181AC
M2 - GSC130181AD
M3 - GSC130181AE
M4 - GSC130181BA
M5 - GSC130241AC
M6 - GSC130241AD
M7 - GSC130241AE
M8 - GSC130241DA
M9 - GSC130301AC
M10 - GSC130301AD
M11 - GSC130301AE
M12 - GSC130301CA
M13 - GSC130301DA
M14 - GSC130361DC
M15 - GSC130361DD
M16 - GSC130361DE
M17 - GSC130361FA
M18 - GSC130363AD
M19 - GSC130363AE
M20 - GSC130363AF
M21 - GSC130363BA
M22 - GSC130421AC
M23 - GSC130481AD
M24 - GSC130481AE
M25 - GSC130481AF
M26 - GSC130481AG
M27 - GSC130483AD
M28 - GSC130483AE
M29 - GSC130483AF
M30 - GSC130484AC

Coil/Compressor/Tubing Assembly

Image 1

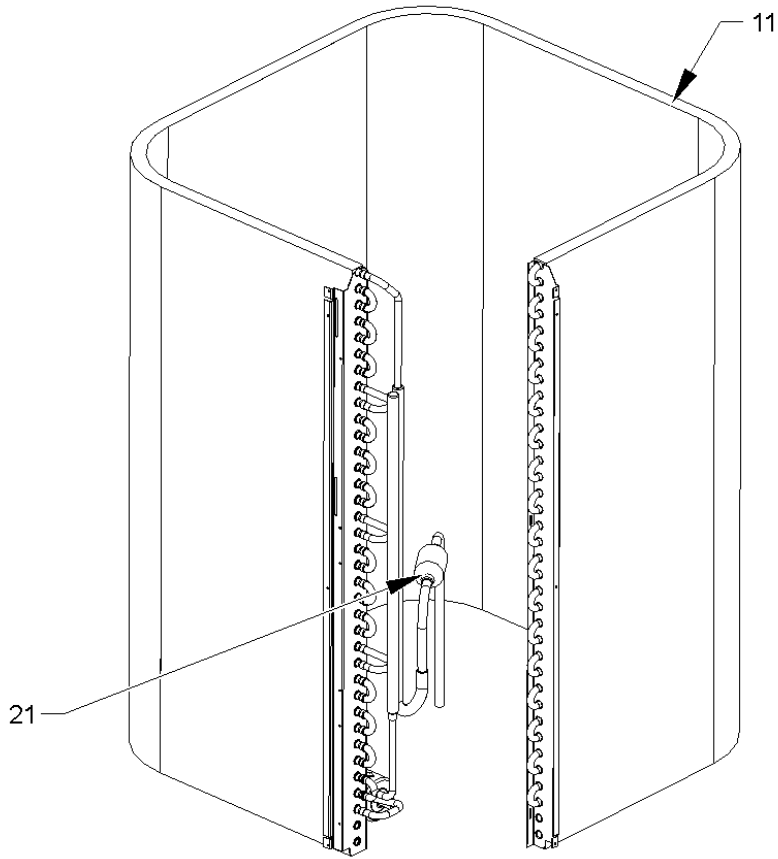


Image 2

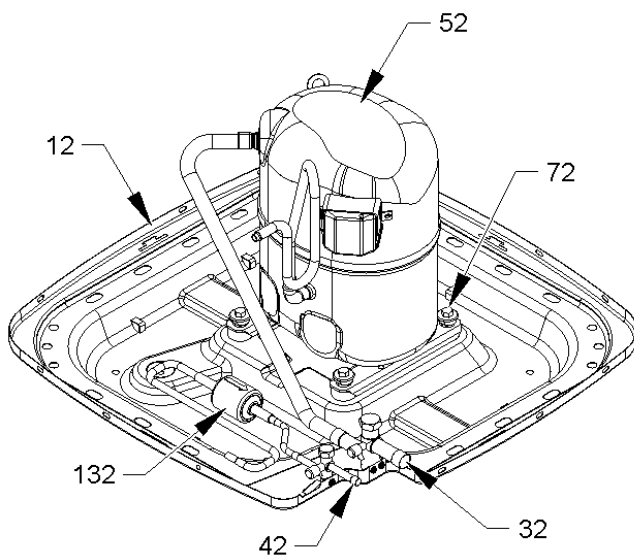
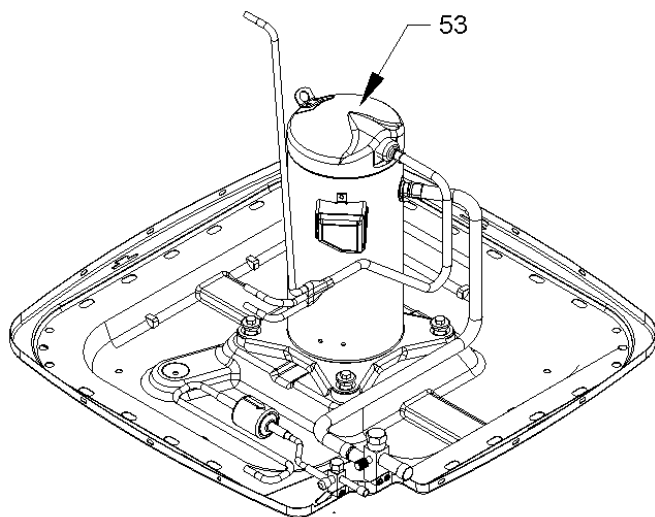


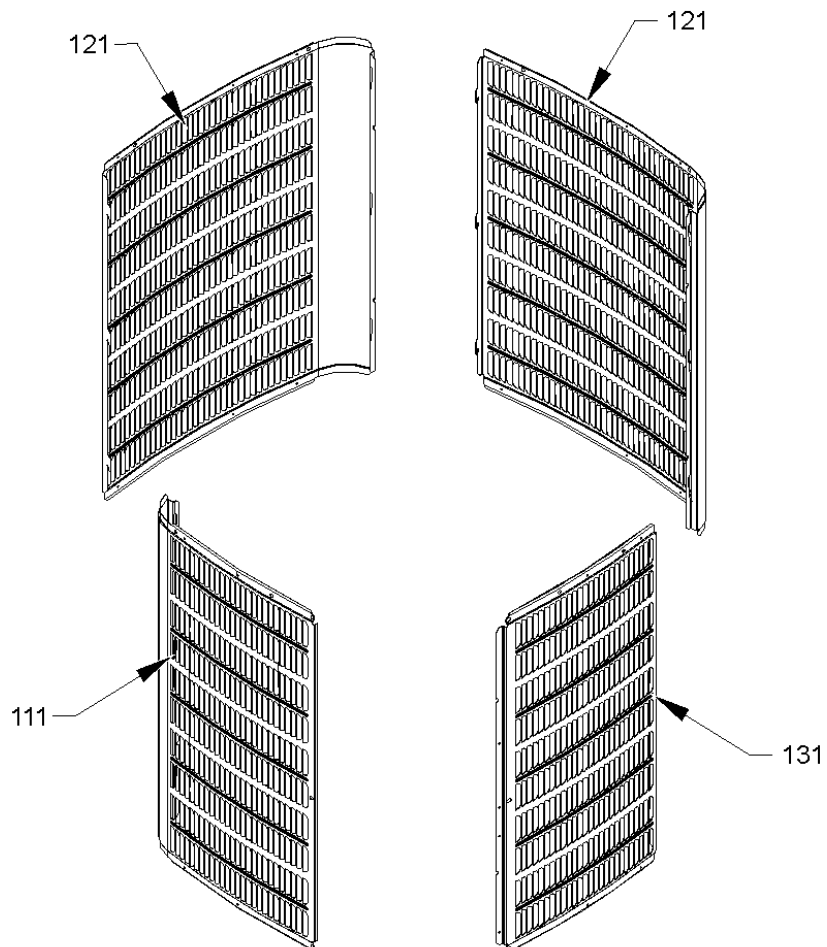
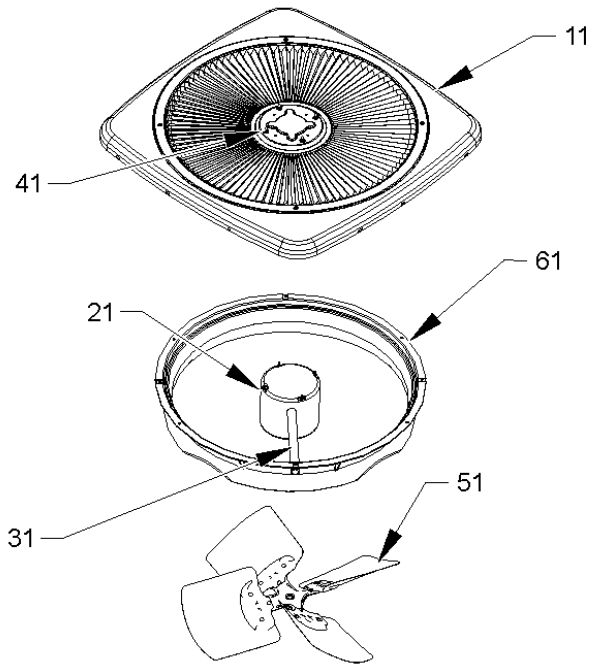
Image 3



Coil/Compressor/Tubing Assembly

Ref. Part No:	Ref. Part No:	Description:	Description:
<i>Image 1:</i>			<i>Image 3:</i>
11	0201R00177S	TUBING ASSY, COND COIL (M4, M8)	53 ZR40K3PFV930 COMPRESSOR 40600, 208/230/60/1 (M23, M24, M25)
11	0201R00181S	TUBING ASSY, COND COIL (M12)	53 ZR40K3TF5930 COMPRESSOR 40600, 208/230/60/3 (M27, M28, M29)
11	0201R00232	TUBING ASSY, COND COIL (M13)	53 ZR40K3TFD930 COMPRESSOR 40600, 460/60/3 (M30)
11	0201R00238	TUBING ASSY, COND COIL (M17, M21)	NS B1339533 COMPRESSOR GROMMET (M22, M23, M24, M25, M26, M27, M28, M29, M30)
11	1362100	TUBING ASSY, COND COIL (M1, M2, M3)	NS 0159R00002P COMPRESSOR SCROLL HARNESS (M22)
11	1362101	TUBING ASSY, COND COIL (M5, M6, M7)	
11	1362103	TUBING ASSY, COND COIL (M9, M10, M11)	
11	1362104	TUBING ASSY, COND COIL (M14, M15, M16, M18, M19, M20, M22)	
11	1362105	TUBING ASSY, COND COIL (M23, M24, M25, M26, M27, M28, M29, M30)	
21	B1219301	MUFFLER 1/2 X 1/2 (M26)	
<i>Image 2:</i>			Expanded Model Nomenclature
12	0121R00005PDG	BASE PAN 26" (M1, M2, M3, M4, M5, M6, M7, M8, M12, M13)	M1 - GSC130181AC
12	0121R00006PDG	BASE PAN 29" (M9, M10, M11, M14, M15, M16, M17, M18, M19, M20, M21, M22, M23, M24, M25, M26, M27, M28, M29, M30)	M2 - GSC130181AD
22	0151R00002P	3/4" SERVICE VALVE OPEN LEFT (M1, M2, M3, M4, M5, M6, M7, M8, M9, M10, M11, M12, M13, M14, M15, M16, M17, M18, M19, M20, M21)	M3 - GSC130181AE
32	0151R00003P	7/8" SERVICE VALVE OPEN LEFT (M22, M23, M24, M25, M26, M27, M28, M29, M30)	M4 - GSC130181BA
42	B12825171	3/8" SERVICE VALVE	M5 - GSC130241AC
52	CR14K7PFV970	COMPRESSOR 14100, 208/230/60/1 (M1, M2, M3, M4)	M6 - GSC130241AD
52	CR18K7PFV930	COMPRESSOR 17500, 208/230/60/1 (M5, M6, M7, M8)	M7 - GSC130241AE
52	CR23K7PFV930	COMPRESSOR 22600, 208/230/60/1 (M9, M10, M11, M12, M13)	M8 - GSC130241DA
52	CR28K7TF5970	COMPRESSOR 28000, 200/230/60/3 (M18, M19, M20, M21)	M9 - GSC130301AC
52	CR28K7PFV930	COMPRESSOR 28300, 208/230/60/1 (M14, M15, M16, M17)	M10 - GSC130301AD
52	750325200112	COMPRESSOR-BRISTOL (M26)	M11 - GSC130301AE
72	M0221641	TF SHOULDER SCREW (QTY 4)	M12 - GSC130301CA
132	B1219212	SINGLE-FLOW FILTER DRIER, STEEL (M1, M2, M3, M4, M5, M6, M7, M8, M9, M10, M11, M12, M13, M14, M15, M16, M17, M18, M19, M20, M21)	M13 - GSC130301DA
132	B1219225	SINGLE-FLOW FILTER DRIER, STEEL (M22, M23, M24, M25, M26, M27, M28, M29, M30)	M14 - GSC130361DC
NS	B1339530	COMPRESSOR GROMMET (M1, M2, M3, M4, M5, M6, M7, M8, M9, M10, M11, M12, M13, M14, M15, M16, M17, M18, M19, M20, M21)	M15 - GSC130361DD
NS	B1789855	FLOW CHECK PISTON KIT .055 (M1, M2, M3, M4)	M16 - GSC130361DE
NS	B1789859	FLOW CHECK PISTON KIT .059 (M5)	M17 - GSC130361FA
NS	B1789865	FLOW CHECK PISTON KIT .065 (M9)	M18 - GSC130363AD
NS	B1789874	FLOW CHECK PISTON KIT .074 (M14, M18)	M19 - GSC130363AE
NS	B1789882	FLOW CHECK PISTON KIT .082 (M23, M24, M25, M26, M27, M28, M29, M30)	M20 - GSC130363AF
			M21 - GSC130363BA
			M22 - GSC130421AC
			M23 - GSC130481AD
			M24 - GSC130481AE
			M25 - GSC130481AF
			M26 - GSC130481AG
			M27 - GSC130483AD
			M28 - GSC130483AE
			M29 - GSC130483AF
			M30 - GSC130484AC
<i>Image 3:</i>			
53	ZR34K3PFV930	COMPRESSOR 34400, 208/230/60/1 (M22)	

Cabinet Top/Side Panels



Cabinet Top/Side Panels

Ref. Part No:	Ref. Part No:	Description:	Description:	
<i>Image 1:</i>		<i>Image 1:</i>		
11	0121R00008PDG	TOP PANEL 26" (M1, M2, M3, M4, M5, M6, M7, M8, M12, M13)	131 0121R00022PDG LOUVERED SIDE PANEL (M5, M6, M7)	
11	0121R00010PDG	TOP PANEL 29" (M9, M10, M11, M14, M15, M16, M17, M18, M19, M20, M21, M22, M23, M24, M25, M26, M27, M28, M29, M30)	131 0121R00037PDG LOUVERED SIDE PANEL (M14, M15, M16, M18, M19, M20, M22)	
21	0131M00018PS	COND MOTOR 1/4 HP, 1 SP, 6 PL (M22)	131 0121R00038PDG LOUVERED SIDE PANEL (M9, M10, M11)	
21	0131M00014PS	COND MOTOR 1/4 HP, 1 SP, 8 PL (M23, M24, M25, M26, M27, M28, M29)	131 0121R00116S LOUVERED SIDE PANEL (M4, M8)	
21	0131M00022S	COND MOTOR 1/4 HP, 8 PL, 460V (M30)	131 0121R00139PDG LOUVERED SIDE PANEL (M17, M21)	
21	0131M00060S	COND MOTOR 1/6 HP, 1 SP, 8 PL (M1, M2, M3, M4, M5, M6, M7, M8, M9, M10, M11, M12, M13, M14, M15, M16, M17, M18, M19, M20, M21)	131 0121R00153PDG LOUVERED SIDE PANEL (M12)	
31	0161R00001P	CONDUIT (M1, M2, M3, M4, M5, M6, M7, M8, M12, M13)	131 0121R00173PDG LOUVERED SIDE PANEL (M13)	
31	0161R00002P	CONDUIT (M17, M21, M23, M24, M25, M26, M27, M28, M29, M30)	131 0121R00039PDG LOUVERED SIDE PANEL-VERTICAL (M23, M24, M25, M26, M27, M28, M29, M30)	
31	0161R00003P	CONDUIT (M9, M10, M11, M14, M15, M16, M18, M19, M20, M22)	Expanded Model Nomenclature	
41	0163M00006P	ACORN NUT 5/16 HEX BLACK (QTY 4)	M1 - GSC130181AC	
51	0150M00018S	FAN BLADE 20" (M1, M2, M3, M5, M6, M7)	M2 - GSC130181AD	
51	0150M00012S	FAN BLADE 20" CCW (M4, M8, M12, M13)	M3 - GSC130181AE	
51	B1086775S	FAN BLADE 22" (M22)	M4 - GSC130181BA	
51	0150M00008S	FAN BLADE 22" TNT2203-25 (M9, M10, M11, M14, M15, M16, M17, M18, M19, M20, M21, M30)	M5 - GSC130241AC	
51	B1086765S	FAN BLADE TYPE 3 (M23, M24, M25, M26, M27, M28, M29)	M6 - GSC130241AD	
61	0161L00000	VENTURI RING 22" (M17, M21, M23, M24, M25, M26, M27, M28, M29, M30)	M7 - GSC130241AE	
111	0121R00014PDGB	LOUVERED SIDE PANEL (M1, M2, M3)	M8 - GSC130241DA	
111	0121R00016PDGB	LOUVERED SIDE PANEL (M5, M6, M7)	M9 - GSC130301AC	
111	0121R00025PDGB	LOUVERED SIDE PANEL (M14, M15, M16, M18, M19, M20, M22)	M10 - GSC130301AD	
111	0121R00026PDGB	LOUVERED SIDE PANEL (M9, M10, M11)	M11 - GSC130301AE	
111	0121R00102PDGB	LOUVERED SIDE PANEL (M4, M8)	M12 - GSC130301CA	
111	0121R00125PDGB	LOUVERED SIDE PANEL (M17, M21)	M13 - GSC130301DA	
111	0121R00151PDGB	LOUVERED SIDE PANEL (M12)	M14 - GSC130361DC	
111	0121R00171PDGB	LOUVERED SIDE PANEL (M13)	M15 - GSC130361DD	
111	0121R00027PDGB	LOUVERED SIDE PANEL-VERTICAL (M23, M24, M25, M26, M27, M28, M29, M30)	M16 - GSC130361DE	
121	0121R00017PDGB	LOUVERED SIDE PANEL (M1, M2, M3)	M17 - GSC130361FA	
121	0121R00019PDGB	LOUVERED SIDE PANEL (M5, M6, M7)	M18 - GSC130363AD	
121	0121R00031PDGB	LOUVERED SIDE PANEL (M14, M15, M16, M18, M19, M20, M22)	M19 - GSC130363AE	
121	0121R00032PDGB	LOUVERED SIDE PANEL (M9, M10, M11)	M20 - GSC130363AF	
121	0121R00109PDGB	LOUVERED SIDE PANEL (M4, M8)	M21 - GSC130363BA	
121	0121R00132PDGB	LOUVERED SIDE PANEL (M17, M21)	M22 - GSC130421AC	
121	0121R00152PDGB	LOUVERED SIDE PANEL (M12)	M23 - GSC130481AD	
121	0121R00172PDGB	LOUVERED SIDE PANEL (M13)	M24 - GSC130481AE	
121	0121R00033PDGB	LOUVERED SIDE PANEL-VERTICAL (M23, M24, M25, M26, M27, M28, M29, M30)	M25 - GSC130481AF	
131	0121R00020PDG	LOUVERED SIDE PANEL (M1, M2, M3)	M26 - GSC130481AG	
			M27 - GSC130483AD	
			M28 - GSC130483AE	
			M29 - GSC130483AF	
			M30 - GSC130484AC	

