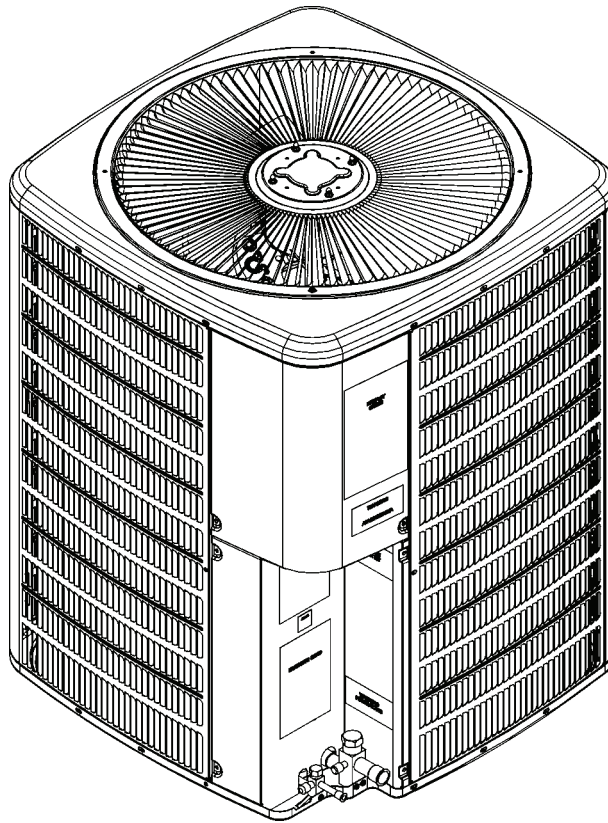


# REPAIR PARTS

## GSC 13 SEER Remote Condensing Units

GSC130181AA  
GSC130241CA  
GSC130301BA  
GSC130361AA  
GSC130361BA  
GSC130361BB  
GSC130361CA  
GSC130363AA  
GSC130363AB  
GSC130421AA  
GSC130481AA  
GSC130481AB  
GSC130483AA  
GSC130483AB  
GSC130484AA  
GSC130601BA  
GSC130603AA  
GSC130604AA



Made in the USA by:  
Goodman Manufacturing Company, L.P.  
2550 North Loop West, Suite 400  
Houston Texas 77092

[www.goodmanmfg.com](http://www.goodmanmfg.com) [www.amana-hac.com](http://www.amana-hac.com)

RP-354G  
August 2006

# Important Information

---

## Index

Functional Parts List .....	3
Illustration and Parts .....	4 - 9

*Views shown are for parts illustrations only, not servicing procedures*

Rev. F: Added models GSC130361BB, GSC130363AB, GSC130481AB, and GSC130483AB.

### Text Codes:

AR - As Required

NA - Not Available

NS - Not Shown

00000000 - See Note

QTY - Quantity Example (QTY 3) (If Quantity not shown, Quantity = 1)

M - Model Example (M1) (If M Code not shown, then part is used on all Models)

### Expanded Model Nomenclature:

Example M1 - Model#1 M2 - Model#2 M3 - Model#3
---

Goodman Manufacturing Company, L.P. is not responsible for personal injury or property damage resulting from improper service. Review all service information before beginning repairs.

Warranty service must be performed by an authorized technician, using authorized factory parts. If service is required after the warranty expires, Goodman Manufacturing Company, L.P. also recommends contacting an authorized technician and using authorized factory parts.

Goodman Manufacturing Company, L.P. reserves the right to discontinue, or change at any time, specifications or designs without notice or without incurring obligations. Goodman® brand products are proudly made in the USA.

For assistance within the U.S.A. contact:  
Consumer Affairs Department  
Goodman Manufacturing Company, L.P.  
7401 Security Way  
Houston, Texas 77040  
877-254-4729-Telephone  
713-863-2382-Facsimile

For assistance outside the U.S.A. contact:  
International Division  
Goodman Manufacturing Company, L.P.  
7401 Security Way  
Houston, Texas 77040  
713-861-2500-Telephone  
713-863-2382-Facsimile

# Functional Parts

**Part No:**

**Description:**

Part No:	Description:
1362100	ASSY, COND COIL (M1)
1362107	ASSY, COND COIL (M3)
1362106	ASSY, COND COIL (M16, M17, M18)
1362105	ASSY, COND COIL (M11, M12, M13, M14, M15)
1362104	ASSY, COND COIL (M4, M8, M9, M10)
1362103	ASSY, COND COIL (M5, M6, M7)
1362101	ASSY, COND COIL (M2)
B945650	CAPACITOR 5/370 (M8, M9, M13, M14, M15, M17, M18)
B94575300S	CAPACITOR 35/5/370 (M1, M2)
B94575400	CAPACITOR 35/5/440 (M4, M7)
B94575500	CAPACITOR 40/5/370 (M3)
B94577200	CAPACITOR 45/5/370 (M5, M6)
B94577400	CAPACITOR 50/5/370 (M10)
B94575900S	CAPACITOR 55/5/370 (M11, M12)
B94577600	CAPACITOR 80/5/370 (M16)
H20J293ABCA	COMPRESSOR, BRISTOL H20J293ABCA (M7)
CR14K7PFV930	COMPRESSOR, COPELAND CR14K7PFV230 (M1)
CR23K7PFV930	COMPRESSOR, COPELAND CR23K7PFV230 (M3)
CR28K7PFV930	COMPRESSOR, COPELAND CR28K7PFV230 (M4)
CR28K7TF5930	COMPRESSOR, COPELAND CR28K7TF5230 (M8, M9)
ZR21KAPFV830	COMPRESSOR, COPELAND ZR21KAPFV130 (M2)
ZR30K3PFV930	COMPRESSOR, COPELAND ZR30K3PFV230 (M5, M6)
ZR34KAPFV830	COMPRESSOR, COPELAND ZR34KAPFV130 (M10)
ZR40K3PFV930	COMPRESSOR, COPELAND ZR40K3PFV230 (M11, M12)
ZR40K3TF5930	COMPRESSOR, COPELAND ZR40K3TF5230 (M13, M14)
ZR40K3TFD930	COMPRESSOR, COPELAND ZR40K3TFD230 (M15)
ZR52K3PFV930	COMPRESSOR, COPELAND ZR52K3PFV230 (M16)
ZR54K3TF5930	COMPRESSOR, COPELAND ZR54K3TF5230 (M17)
ZR54K3TFD930	COMPRESSOR, COPELAND ZR54K3TFD230 (M18)
B1360321	CONTACTOR 25 AMP, 125 LRA, 1P, 277V (M1, M2, M3, M4, M5, M6, M7, M10)
B1360315	CONTACTOR 25 AMP, 3P, 24V (M8, M9, M13, M14, M15, M17, M18)
B1360324	CONTACTOR 30 AMP, 150 LRA, 277V (M11, M12)
B1360305	CONTACTOR 40 AMP, 240V (M16)
B1219225	FILTER DRIER, SINGLE-FLOW (M10, M11, M12, M13, M14, M15, M16, M17, M18)
B1219212	FILTER DRIER, SINGLE-FLOW (M1, M2, M3, M4, M5, M6, M7, M8, M9)
0131M00022S	MOTOR, COND 1/4 HP 8 PL 460V (M15)
B13400247	MOTOR, COND 1/4 HP, 1 SP, 230V, 1.8 AMP (M6, M9, M12, M14)
0131M00018PS	MOTOR, COND 1/4 HP, 1 SP, 6 PL (M10)
0131M00014PS	MOTOR, COND 1/4 HP, 1 SP, 8 PL (M11, M13)
0131M00023S	MOTOR, COND 1/6 HP 8 PL 460V (M18)
0131M00012PS	MOTOR, COND 1/6 HP, 1 SP, 8 PL (M16, M17)
0131M00016PS	MOTOR, COND 1/6 HP, 1 SP, 8 PL (M1, M2, M3, M4, M5, M7, M8)
B1219301	MUFFLER 1/2 X 1/2 (M7)
B1789874	PISTON KIT, FLOW CHECK (M4, M7, M8, M9)
B1789855	PISTON KIT, FLOW CHECK (M1)
B1789861	PISTON KIT, FLOW CHECK (M2)
B1789871	PISTON KIT, FLOW CHECK (M5, M6)
B1789878	PISTON KIT, FLOW CHECK (M10)
B1789882	PISTON KIT, FLOW CHECK (M11, M12, M13, M14, M15)
B1789893	PISTON KIT, FLOW CHECK (M16, M17, M18)
B1789865	PISTON KIT, FLOW CHECK (M3)
0151R00002P	VALVE, SERVICE 3/4" OPEN LEFT (M1, M2, M3, M4, M5, M6, M7, M8, M9)
B12825171	VALVE, SERVICE 3/8" OPEN (M1, M2, M3, M4, M5, M7, M8, M10, M11, M13, M15, M16, M17, M18)
0151R00003P	VALVE, SERVICE 7/8" OPEN LEFT (M10, M11, M12, M13, M14, M15, M16, M17, M18)

**SPECIAL PARTS**

IO-258B	INSTALLATION INSTRUCTIONS (M1, M2, M3, M4, M5, M6, M7, M8, M9, M10, M11, M12, M13, M14, M15, M16, M17, M18)
0161R00009P	NAMEPLATE, GOODMAN (M1, M2, M3, M4, M5, M6, M7, M8, M9, M10, M11, M12, M13, M14, M15, M16, M17, M18)
RP-354G	REPAIR PARTS MANUAL (M1, M2, M3, M4, M5, M6, M7, M8, M9, M10, M11, M12, M13, M14, M15, M16, M17, M18)

Expanded Model Nomenclature

M1 - GSC130181AA
M2 - GSC130241CA
M3 - GSC130301BA
M4 - GSC130361AA
M5 - GSC130361BA
M6 - GSC130361BB
M7 - GSC130361CA
M8 - GSC130363AA
M9 - GSC130363AB
M10 - GSC130421AA
M11 - GSC130481AA
M12 - GSC130481AB
M13 - GSC130483AA
M14 - GSC130483AB
M15 - GSC130484AA
M16 - GSC130601BA
M17 - GSC130603AA
M18 - GSC130604AA

# Control Cover/Control Box

Image 1

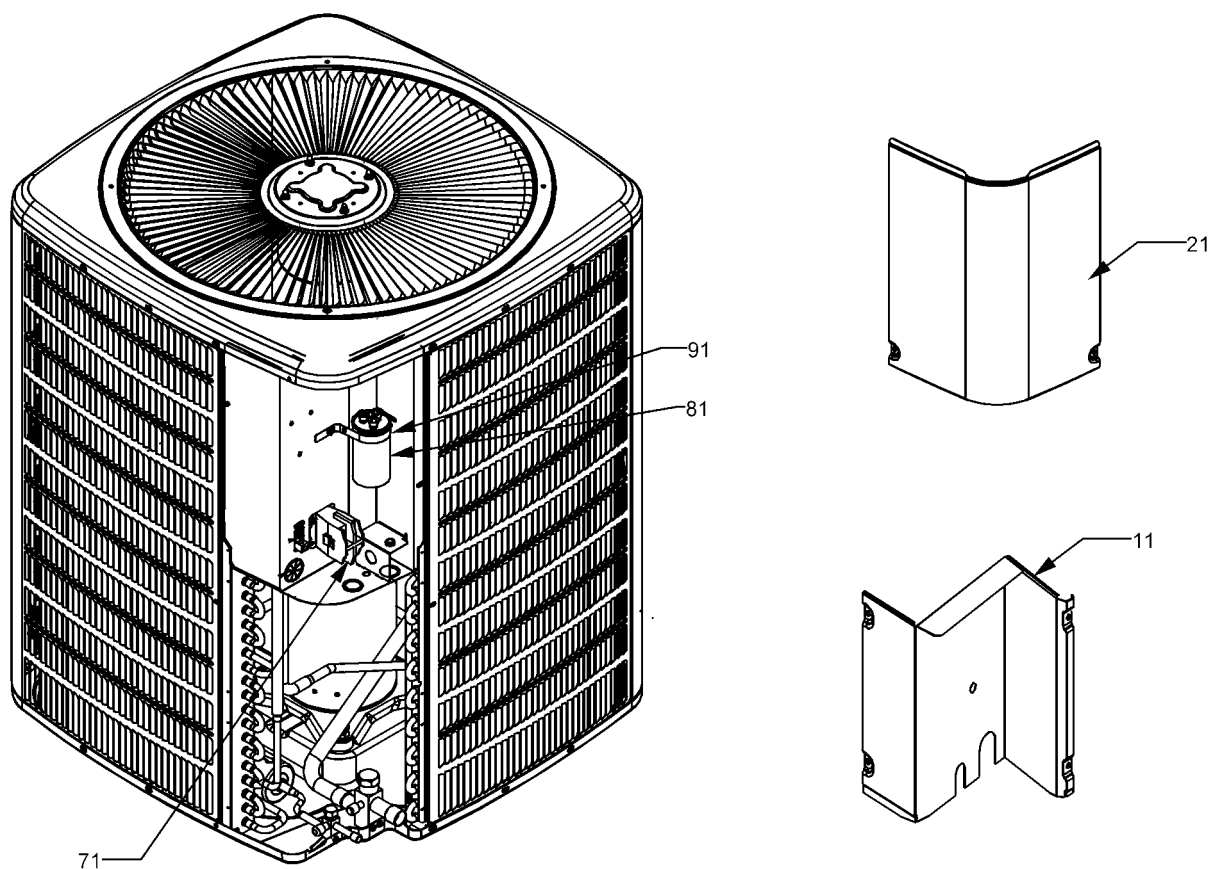
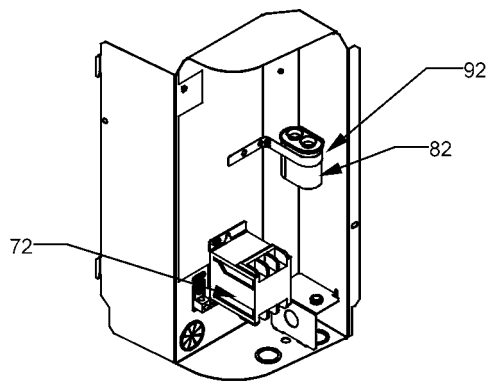


Image 2



# Control Cover/Control Box

**Ref. Part  
No: No:**

**Description:**

**Ref. Part  
No: No:**

**Description:**

*Image 1:*

11	4400200PDG	PANEL, LOWER ACCESS (M1)
11	4400201PDG	PANEL, LOWER ACCESS (M3)
11	4400202PDG	PANEL, LOWER ACCESS (M4, M8, M9, M10)
11	4400203PDG	PANEL, LOWER ACCESS (M2, M5, M6, M7)
11	4400205PDG	PANEL, LOWER ACCESS (M11, M12, M13, M14, M15, M16, M17, M18)
21	4400064PDG	COVER, CONTROL (M1, M2, M3, M4, M5, M6, M7, M8, M9, M10, M11, M12, M13, M14, M15, M16, M17, M18)
71	B1360321	CONTACTOR 25 AMP, 125 LRA, 1P, 277V (M1, M2, M3, M4, M5, M6, M7, M10)
71	B1360324	CONTACTOR 30 AMP, 150 LRA, 277V (M11, M12)
71	B1360305	CONTACTOR 40 AMP, 240V (M16)
81	B94575300S	CAPACITOR 35/5/370 (M1, M2)
81	B94575400	CAPACITOR 35/5/440 (M4, M7)
81	B94575500	CAPACITOR 40/5/370 (M3)
81	B94577200	CAPACITOR 45/5/370 (M5, M6)
81	B94577400	CAPACITOR 50/5/370 (M10)
81	B94575900S	CAPACITOR 55/5/370 (M11, M12)
81	B94577600	CAPACITOR 80/5/370 (M16)
91	4400065	STRAP, CAPACITOR (M1, M2, M3, M4, M5, M6, M7, M10, M11, M12, M16)
NS	0161R00009P	NAMEPLATE, GOODMAN (M1, M2, M3, M4, M5, M6, M7, M8, M9, M10, M11, M12, M13, M14, M15, M16, M17, M18)

*Image 2:*

72	B1360315	CONTACTOR 25 AMP, 3P, 24V (M8, M9, M13, M14, M15, M17, M18)
82	B945650	CAPACITOR 5/370 (M8, M9, M13, M14, M15, M17, M18)
92	4400066	STRAP, CAPACITOR (M8, M9, M13, M14, M15, M17, M18)

Expanded Model Nomenclature

M1 - GSC130181AA
M2 - GSC130241CA
M3 - GSC130301BA
M4 - GSC130361AA
M5 - GSC130361BA
M6 - GSC130361BB
M7 - GSC130361CA
M8 - GSC130363AA
M9 - GSC130363AB
M10 - GSC130421AA
M11 - GSC130481AA
M12 - GSC130481AB
M13 - GSC130483AA
M14 - GSC130483AB
M15 - GSC130484AA
M16 - GSC130601BA
M17 - GSC130603AA
M18 - GSC130604AA

# Compressor/Tubing Assembly

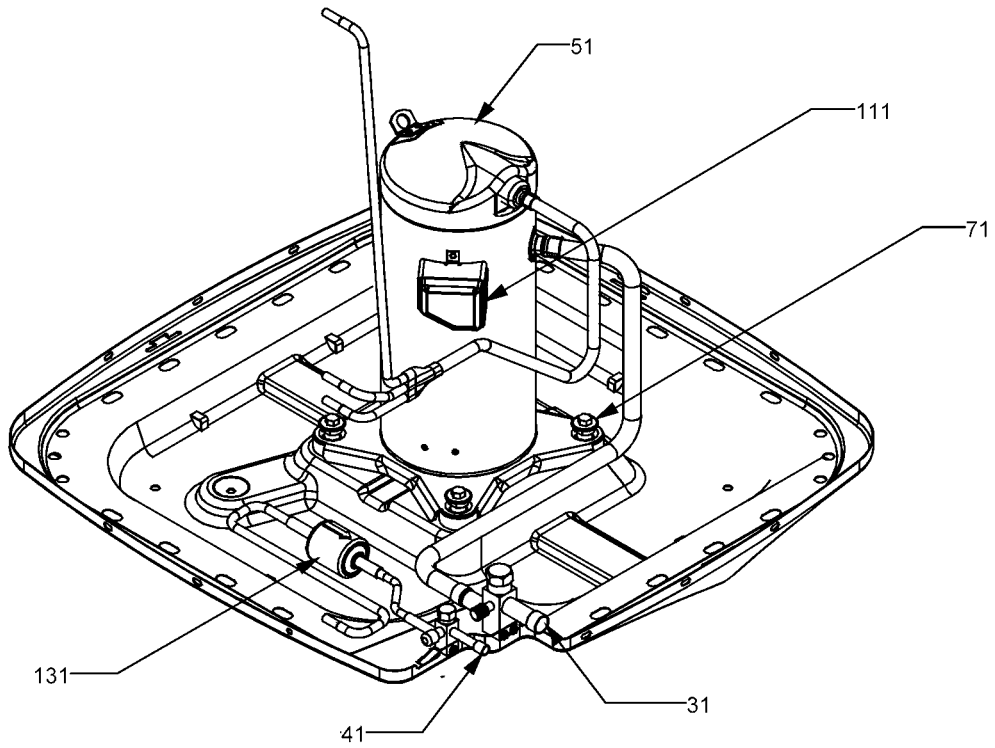
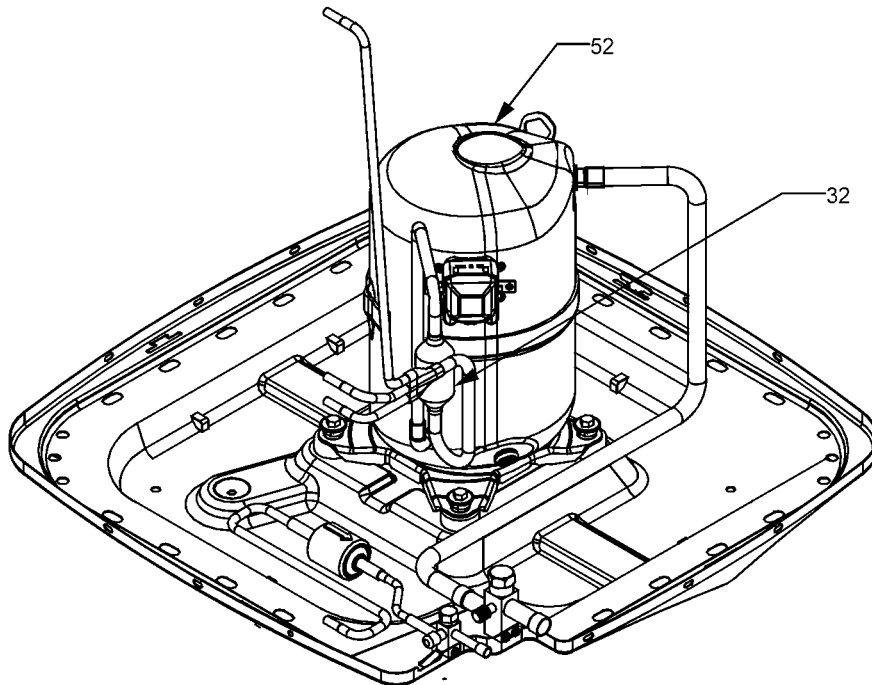


Image 1

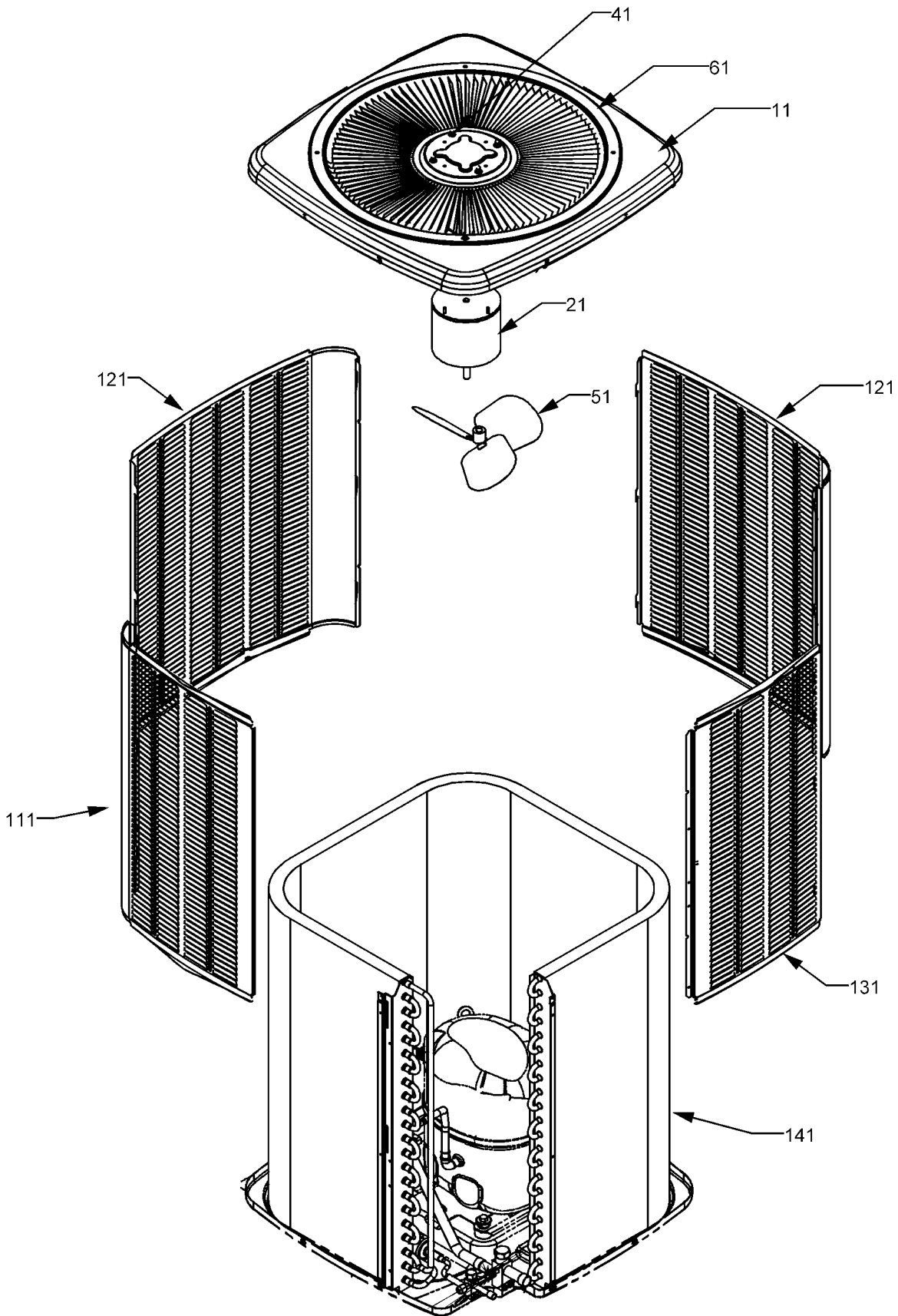
Image 2



# Compressor/Tubing Assembly

Ref. Part No:	No:	Description:	Ref. Part No:	No:	Description:
<i>Image 1:</i>			Expanded Model Nomenclature		
31	0151R00002P	VALVE, SERVICE 3/4" OPEN LEFT (M1, M2, M3, M4, M5, M6, M7, M8, M9)	M1 -	GSC130181AA	
31	0151R00003P	VALVE, SERVICE 7/8" OPEN LEFT (M10, M11, M12, M13, M14, M15, M16, M17, M18)	M2 -	GSC130241CA	
41	B12825171	VALVE, SERVICE 3/8" OPEN (M1, M2, M3, M4, M5, M7, M8, M10, M11, M13, M15, M16, M17, M18)	M3 -	GSC130301BA	
51	CR14K7PFV930	COMPRESSOR, COPELAND CR14K7PFV230 (M1)	M4 -	GSC130361AA	
51	CR23K7PFV930	COMPRESSOR, COPELAND CR23K7PFV230 (M3)	M5 -	GSC130361BA	
51	CR28K7PFV930	COMPRESSOR, COPELAND CR28K7PFV230 (M4)	M6 -	GSC130361BB	
51	CR28K7TF5930	COMPRESSOR, COPELAND CR28K7TF5230 (M8, M9)	M7 -	GSC130361CA	
51	ZR21KAPFV830	COMPRESSOR, COPELAND ZR21KAPFV130 (M2)	M8 -	GSC130363AA	
51	ZR30K3PFV930	COMPRESSOR, COPELAND ZR30K3PFV230 (M5, M6)	M9 -	GSC130363AB	
51	ZR34KAPFV830	COMPRESSOR, COPELAND ZR34KAPFV130 (M10)	M10 -	GSC130421AA	
51	ZR40K3PFV930	COMPRESSOR, COPELAND ZR40K3PFV230 (M11, M12)	M11 -	GSC130481AA	
51	ZR40K3TF5930	COMPRESSOR, COPELAND ZR40K3TF5230 (M13, M14)	M12 -	GSC130481AB	
51	ZR40K3TFD930	COMPRESSOR, COPELAND ZR40K3TFD230 (M15)	M13 -	GSC130483AA	
51	ZR52K3PFV930	COMPRESSOR, COPELAND ZR52K3PFV230 (M16)	M14 -	GSC130483AB	
51	ZR54K3TF5930	COMPRESSOR, COPELAND ZR54K3TF5230 (M17)	M15 -	GSC130484AA	
51	ZR54K3TFD930	COMPRESSOR, COPELAND ZR54K3TFD230 (M18)	M16 -	GSC130601BA	
71	M0221641	SCREW, SHOULDER TF (M1, M2, M3, M4, M5, M6, M7, M8, M9, M10, M11, M12, M13, M14, M15, M16, M17, M18)	M17 -	GSC130603AA	
111	0159R00000P	HARNESS, COMP SCROLL (M2)	M18 -	GSC130604AA	
111	0159R00002P	HARNESS, COMP SCROLL (M10)			
131	B1219212	FILTER DRIER, SINGLE-FLOW (M1, M2, M3, M4, M5, M6, M7, M8, M9)			
131	B1219225	FILTER DRIER, SINGLE-FLOW (M10, M11, M12, M13, M14, M15, M16, M17, M18)			
NS	B1339530	GROMMET, COMPRESSOR (M1, M3, M4, M7)			
NS	B1339533	GROMMET, COMPRESSOR (M2, M5, M6, M8, M9, M10, M11, M12, M13, M14, M15, M16, M17, M18)			
NS	B1789855	PISTON KIT, FLOW CHECK (M1)			
NS	B1789861	PISTON KIT, FLOW CHECK (M2)			
NS	B1789865	PISTON KIT, FLOW CHECK (M3)			
NS	B1789871	PISTON KIT, FLOW CHECK (M5, M6)			
NS	B1789874	PISTON KIT, FLOW CHECK (M4, M7, M8, M9)			
NS	B1789878	PISTON KIT, FLOW CHECK (M10)			
NS	B1789882	PISTON KIT, FLOW CHECK (M11, M12, M13, M14, M15)			
NS	B1789893	PISTON KIT, FLOW CHECK (M16, M17, M18)			
<i>Image 2:</i>					
32	B1219301	MUFFLER 1/2 X 1/2 (M7)			
52	H20J293ABCA	COMPRESSOR, BRISTOL H20J293ABCA (M7)			

# Coil/Cabinet Top/Side Panels



# Coil/Cabinet Top/Side Panels

Ref. Part No:	Ref. Part No:	Description:	Description:	
<i>Image 1:</i>				
11	4400049PDG	PANEL, LOUVER TOP 26" (M1, M2)	141 1362101 ASSY, COND COIL (M2)	
11	4400067PDG	PANEL, LOUVER TOP 29" (M3, M4, M5, M6, M7, M8, M9, M10, M11, M12, M13, M14, M15)	141 1362103 ASSY, COND COIL (M5, M6, M7)	
11	4400092PDG	PANEL, LOUVER TOP 35" (M16, M17, M18)	141 1362104 ASSY, COND COIL (M4, M8, M9, M10)	
21	0131M00022S	MOTOR, COND 1/4 HP 8 PL 460V (M15)	141 1362105 ASSY, COND COIL (M11, M12, M13, M14, M15)	
21	B13400247	MOTOR, COND 1/4 HP, 1 SP, 230V, 1.8 AMP (M6, M9, M12, M14)	141 1362106 ASSY, COND COIL (M16, M17, M18)	
21	0131M00018PS	MOTOR, COND 1/4 HP, 1 SP, 6 PL (M10)	141 1362107 ASSY, COND COIL (M3)	
21	0131M00014PS	MOTOR, COND 1/4 HP, 1 SP, 8 PL (M11, M13)	Expanded Model Nomenclature	
21	0131M00023S	MOTOR, COND 1/6 HP 8 PL 460V (M18)	M1 - GSC130181AA	
21	0131M00012PS	MOTOR, COND 1/6 HP, 1 SP, 8 PL (M16, M17)	M2 - GSC130241CA	
21	0131M00016PS	MOTOR, COND 1/6 HP, 1 SP, 8 PL (M1, M2, M3, M4, M5, M7, M8)	M3 - GSC130301BA	
41	B1783803	NUT, ACORN (M1, M2, M3, M4, M5, M6, M7, M8, M9, M10, M11, M12, M13, M14, M15, M16, M17, M18)	M4 - GSC130361AA	
51	B1086775S	FAN BLADE (M10)	M5 - GSC130361BA	
51	0150M00001S	FAN BLADE 20" (M1, M2)	M6 - GSC130361BB	
51	10625738	FAN BLADE 26" ALUM CCW (M16, M17, M18)	M7 - GSC130361CA	
51	0150M00006	FAN BLADE, 22" (M12, M14)	M8 - GSC130363AA	
51	0150M00007	FAN BLADE, 22" (M6, M9)	M9 - GSC130363AB	
51	B1086764S	FAN BLADE, TYPE 2 (M3, M4, M5, M7, M8, M15)	M10 - GSC130421AA	
51	B1086765S	FAN BLADE, TYPE 3 (M11, M13)	M11 - GSC130481AA	
61	0161R00006P	RING, VENTURI 29" (M11, M12, M13, M14, M15)	M12 - GSC130481AB	
61	0161R00007P	RING, VENTURI 35" (M16, M17, M18)	M13 - GSC130483AA	
111	4400130PDG	PANEL, LOUVER SIDE (M4, M8, M9, M10)	M14 - GSC130483AB	
111	4400131PDG	PANEL, LOUVER SIDE (M11, M12, M13, M14, M15)	M15 - GSC130484AA	
111	4400138PDG	PANEL, LOUVER SIDE (M16, M17, M18)	M16 - GSC130601BA	
111	4400144PDG	PANEL, LOUVER SIDE (M1)	M17 - GSC130603AA	
111	4400146PDG	PANEL, LOUVER SIDE (M2)	M18 - GSC130604AA	
111	4400160PDG	PANEL, LOUVER SIDE (M3)		
111	4400161PDG	PANEL, LOUVER SIDE (M5, M6, M7)		
121	4400132PDG	PANEL, LOUVER SIDE (M4, M8, M9, M10)		
121	4400133PDG	PANEL, LOUVER SIDE (M11, M12, M13, M14, M15)		
121	4400140PDG	PANEL, LOUVER SIDE (M16, M17, M18)		
121	4400149PDG	PANEL, LOUVER SIDE (M1)		
121	4400151PDG	PANEL, LOUVER SIDE (M2)		
121	4400167PDG	PANEL, LOUVER SIDE (M3)		
121	4400168PDG	PANEL, LOUVER SIDE (M5, M6, M7)		
131	4400134PDG	PANEL, LOUVER SIDE (M4, M8, M9, M10)		
131	4400135PDG	PANEL, LOUVER SIDE (M11, M12, M13, M14, M15)		
131	4400142PDG	PANEL, LOUVER SIDE (M16, M17, M18)		
131	4400154PDG	PANEL, LOUVER SIDE (M1)		
131	4400156PDG	PANEL, LOUVER SIDE (M2)		
131	4400174PDG	PANEL, LOUVER SIDE (M3)		
131	4400175PDG	PANEL, LOUVER SIDE (M5, M6, M7)		
141	1362100	ASSY, COND COIL (M1)		