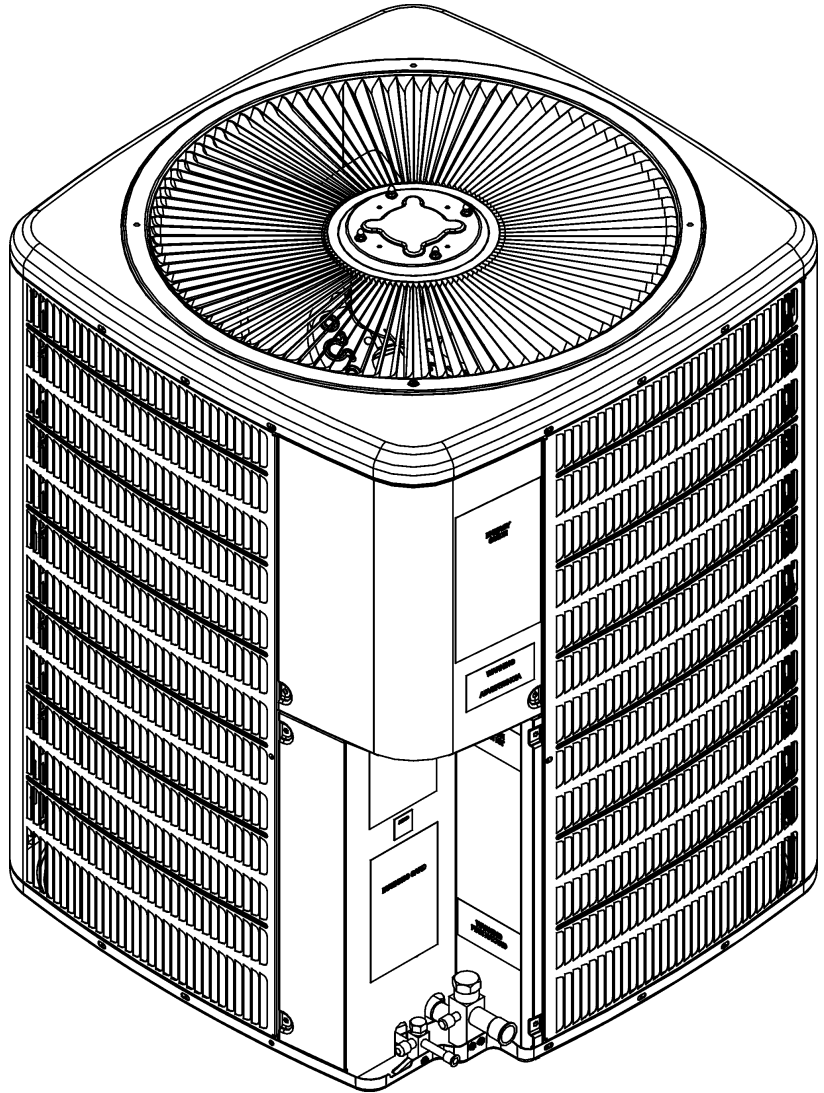


## GSC13 Remote Condensing Unit

GSC130241FF



This manual is to be used by qualified technicians only.

© 2017 Goodman Manufacturing Company, L.P. ♦ 5151 San Felipe St., Suite 500 ♦ Houston, TX 77056

# Important Information

---

## Index

Functional Parts List .....	3
Illustration and Parts .....	4 - 9

*Views shown are for parts illustrations only, not servicing procedures.*

### Text Codes:

AR - As Required

NA - Not Available

NS - Not Shown

00000000 - See Note

QTY - Quantity Example (QTY 3) (If Quantity not shown, Quantity = 1)

M - Model Example (M1) (If M Code not shown, then part is used on all Models)

### Expanded Model Nomenclature:

Example M1 - Model#1 M2 - Model#2 M3 - Model#3
---

Goodman Manufacturing Company, L.P. is not responsible for personal injury or property damage resulting from improper service. Review all service information before beginning repairs.

Warranty service must be performed by an authorized technician, using authorized factory parts. If service is required after the warranty expires, Goodman Manufacturing Company, L.P. also recommends contacting an authorized technician and using authorized factory parts.

Goodman Manufacturing Company, L.P. reserves the right to discontinue, or change at any time, specifications or designs without notice or without incurring obligations.

For assistance within the U.S.A. contact:  
Homeowner Support  
Goodman Manufacturing Company, L.P.  
19001 Kermier Road  
Waller, Texas 77484  
877-254-4729-Telephone  
713-863-2382-Facsimile

For assistance outside the U.S.A. contact:  
International Division  
Goodman Manufacturing Company, L.P.  
19001 Kermier Road  
Waller, Texas 77484  
713-861-2500-Telephone  
713-863-2382-Facsimile

# Functional Parts

## Part

**No:**            **Description:**

---

0151R00079	BASE VALVE 3/4"
0151R00078	BASE VALVE 3/8"
CAP050350440CS	CAPACITOR 5/35/440V
ZR21K5EPFV130	COMP,21000,208/230/60/1
0131M00593	COND MOTOR, 1/8 HP, ISP, 6PL, AL
CONT1P025024V	CONTACTOR 25 AMP, 1P, 24V
0150M00030	FAN BLADE, 18"

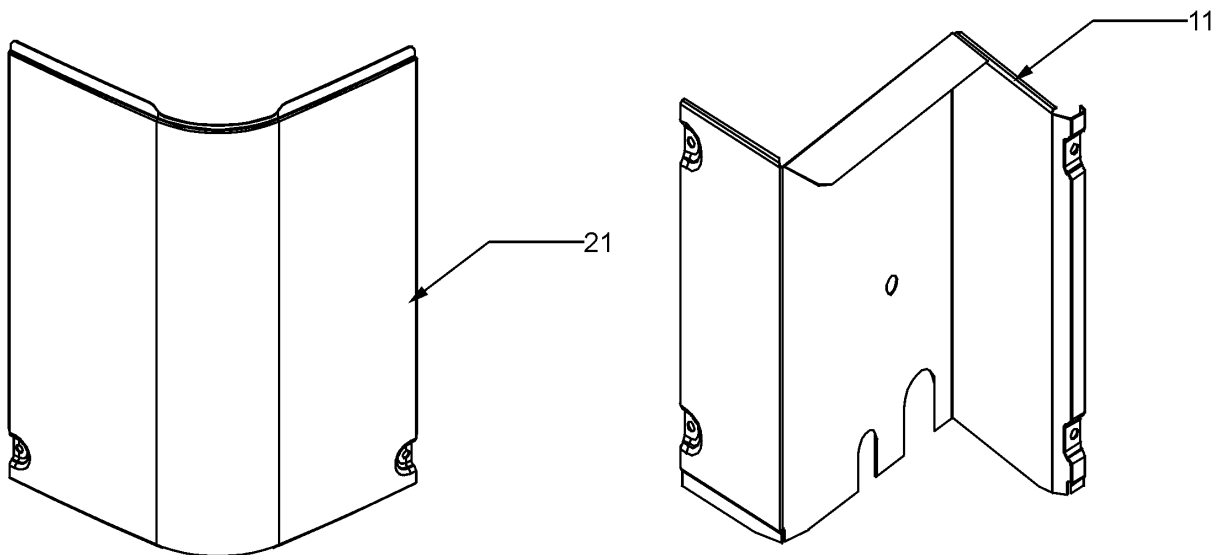
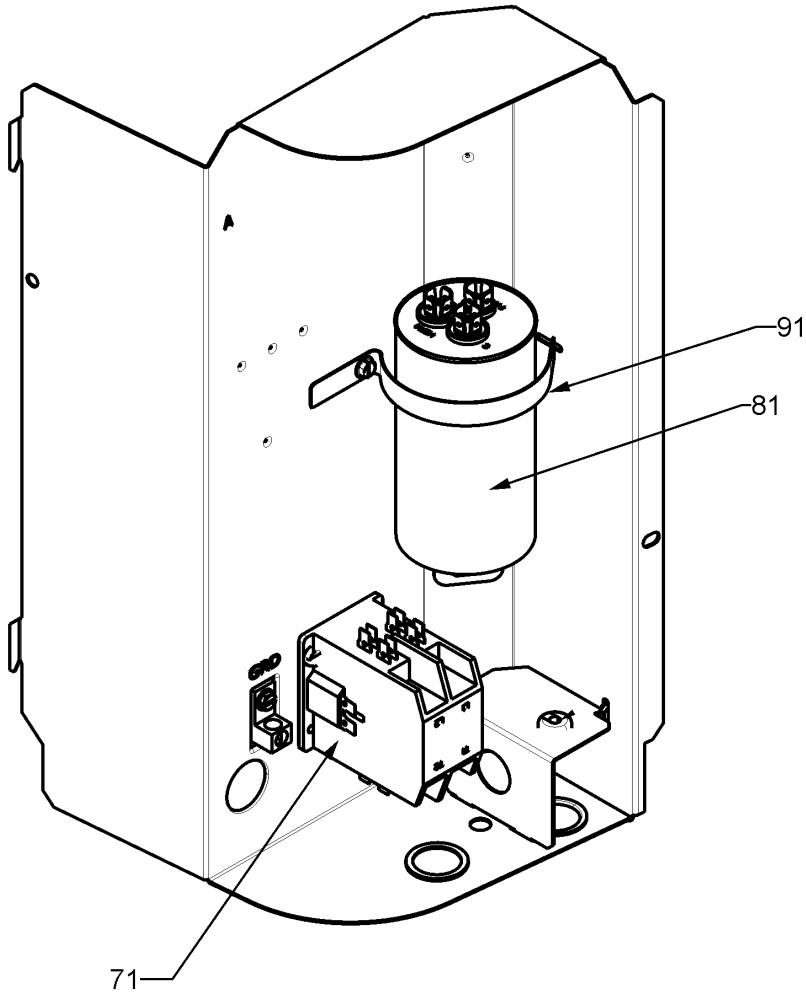
## SPECIAL PARTS

0161R00009P      NAMEPLATE

## Expanded Model Nomenclature

M1 - GSC130241FF
------------------

# Control Cover/Control Box Assembly



# Control Cover/Control Box Assembly

**Ref. Part**

**No: No:**

**Description:**

**Ref. Part**

**No: No:**

**Description:**

---

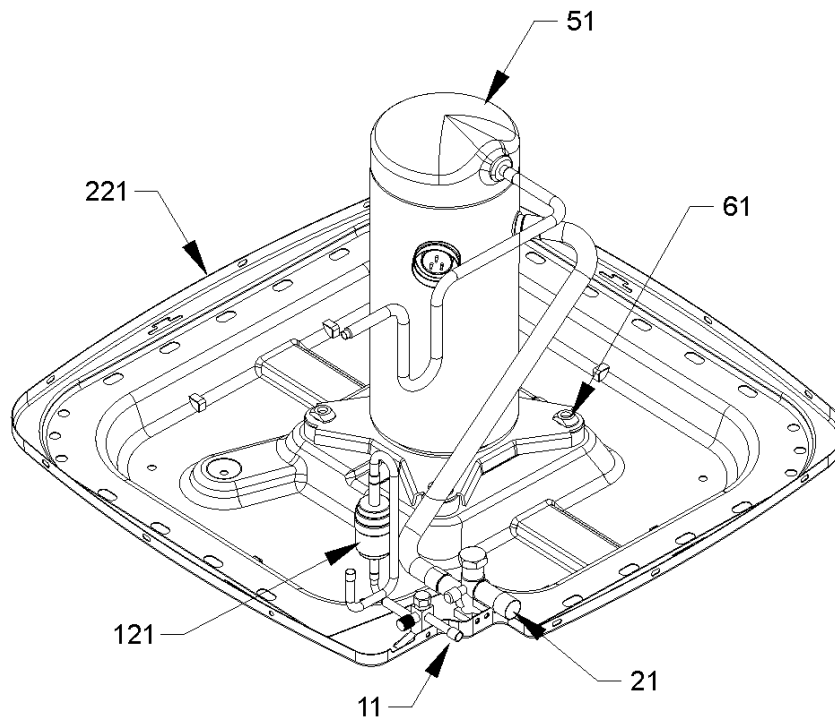
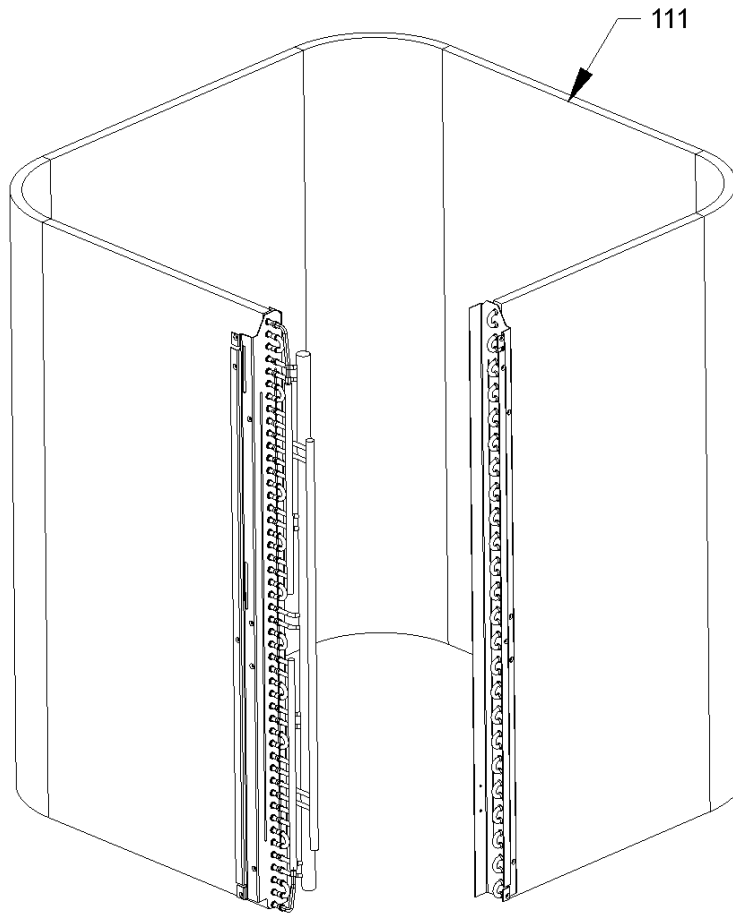
**Image 1:**

11	0121R00265PDG	PANEL, LOWER ACCESS PNT
21	0121R00268PDG	CONTROL COVER
71	CONT1P025024V	CONTACTOR 25 AMP, 1P, 24V
81	CAP050350440CS	CAPACITOR 5/35/440V
91	4400065	CAPACITOR STRAP

**Expanded Model Nomenclature**

M1 - GSC130241FF

# Coil/Compressor/Tubing Assembly



# Coil/Compressor/Tubing Assembly

Ref. Part

No: No:

Description:

Ref. Part

No: No:

Description:

---

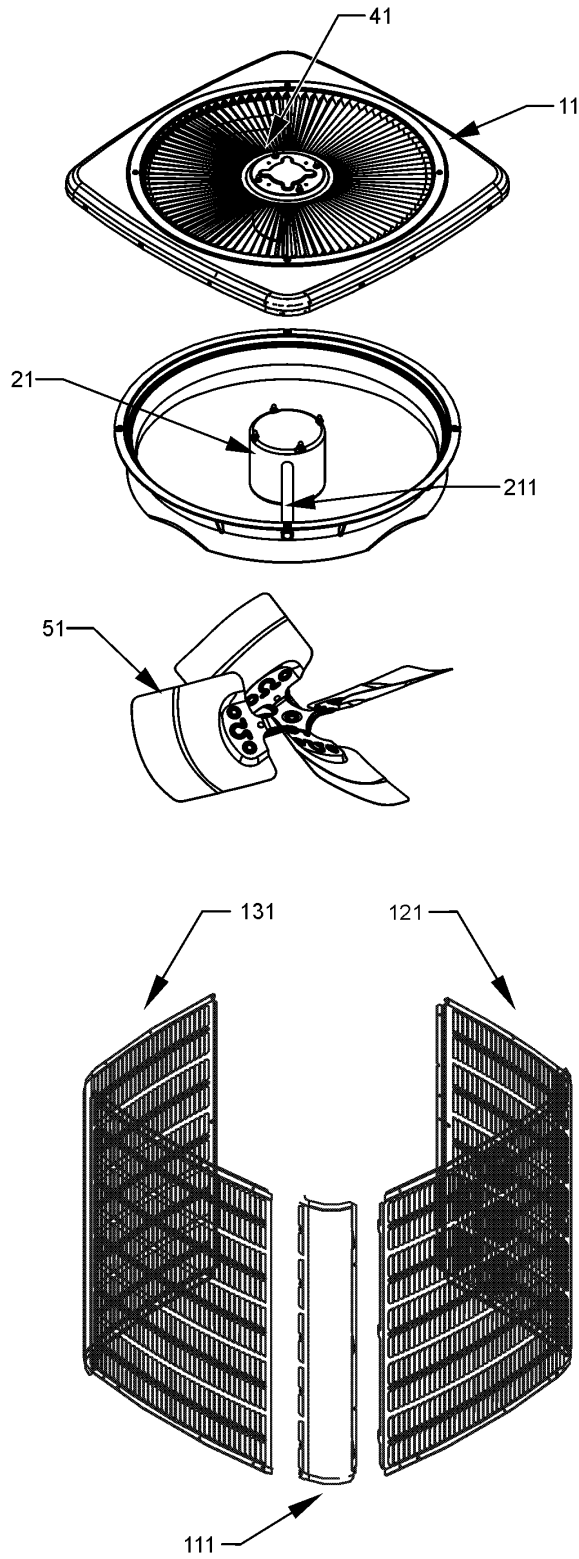
**Image 1:**

11	0151R00078	BASE VALVE 3/8"
21	0151R00079	BASE VALVE 3/4"
51	ZR21K5EPFV130	COMP,21000,208/230/60/1
61	B1339533	COMPRESSOR GROMMET (QTY 4)
111	0201R00527	TUBING ASSY, COND COIL
121	B1219212	SINGLE-FLOW FILTER DRIER, STEEL
221	0121R00272PDG	BASE PAN 23"
NS	0159R00000P	COMPRESSOR SCROLL HARNESS
NS	B1789861	FLOW CHECK PISTON KIT .061
NS	0161R00009P	NAMEPLATE
NS	M0221641	TF SHOULDER SCREW (QTY 4)

**Expanded Model Nomenclature**

M1 - GSC130241FF

# Cabinet Top/Side Panel Assembly



# Cabinet Top/Side Panel Assembly

**Ref. Part**

**No: No:**

**Description:**

**Ref. Part**

**No: No:**

**Description:**

---

**Image 1:**

11	0121R00270PDG	PANEL, TOP PNT
21	0131M00593	COND MOTOR, 1/8 HP, ISP, 6PL, AL
41	0163M00006P	ACORN NUT 5/16 HEX BLACK (QTY 4)
51	0150M00030	FAN BLADE, 18"
111	0121R00280PDG	Louver Post, 23_25.2, PNT DG
121	0121R00274PDGRS	Louver Panel, 23_25.2, PNT DG
131	0121R00274PDGLS	Louver Panel, 23_25.2, PNT DG
211	0161R00032	conduit
NS	0121R00297	SHIELD, RAIN

**Expanded Model Nomenclature**

M1 - GSC130241FF