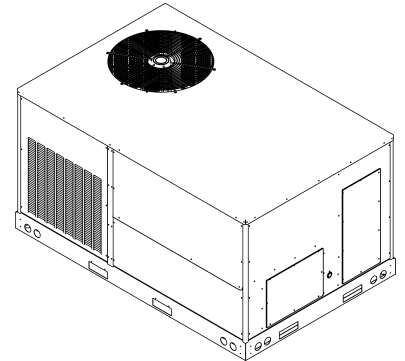




REPAIR PARTS

GPBM5 Residential Package Heat Pump

GPBM56041AA



This manual is to be used by qualified technicians only.

© 2022 Goodman Manufacturing Company, L.P. ♦ 19001 Kermier Rd. ♦ Waller, TX 77484

Important Information

Index

Functional Parts List	3
Illustration and Parts	4 - 13

Views shown are for parts illustrations only, not servicing procedures.

Text Codes:

AR - As Required

NA - Not Available

NS - Not Shown

00000000 - See Note

QTY - Quantity Example (QTY 3) (If Quantity not shown, Quantity = 1)

M - Model Example (M1) (If M Code not shown, then part is used on all Models)

Expanded Model Nomenclature:

Example M1 - Model#1 M2 - Model#2 M3 - Model#3

Goodman Manufacturing Company, L.P. is not responsible for personal injury or property damage resulting from improper service. Review all service information before beginning repairs.

Warranty service must be performed by an authorized technician, using authorized factory parts. If service is required after the warranty expires, Goodman Manufacturing Company, L.P. also recommends contacting an authorized technician and using authorized factory parts.

Goodman Manufacturing Company, L.P. reserves the right to discontinue, or change at any time, specifications or designs without notice or without incurring obligations.

For assistance within the U.S.A. contact:
Homeowner Support
Goodman Manufacturing Company, L.P.
19001 Kermier Road
Waller, Texas 77484
877-254-4729-Telephone
713-863-2382-Facsimile

For assistance outside the U.S.A. contact:
International Division
Goodman Manufacturing Company, L.P.
19001 Kermier Road
Waller, Texas 77484
713-861-2500-Telephone
713-863-2382-Facsimile

Functional Parts

Part

No: **Description:**

10625733	BLADE-FAN 22" ALUM CCW
CAP450000440CS	CAPACITOR
ZPS49K6EPFV130	COMP 49000,208/230/60/1
0130M00513	CONTACTOR
0130M00583	CONTROL DEFROST
0130M00101	CONTROL DEFROST
0130M00178	DPDT RELAY 24VAC (QTY 4)
0251L00017	EXPANSION VALVE ASSY
0130L00209	HEATER, CRANKCASE 240V, 40W
0130M00280	HIGH PRESSURE SWITCH
0130M00075	LOW PRESSURE SWITCH
0131M00910	MOTOR
PCBDM133	PCB, DEFROST CONTROL
0131L00411	PROGRAMMED MOTOR
0151R00071	REVERSING VALVE
B1225022	SOLENOID COIL
0130M00199	SWITCH, CRANK CASE HEATER
0130M00615	THERMOSTAT, OUTDOOR
0130M00696	TRANSFORMER

SPECIAL PARTS

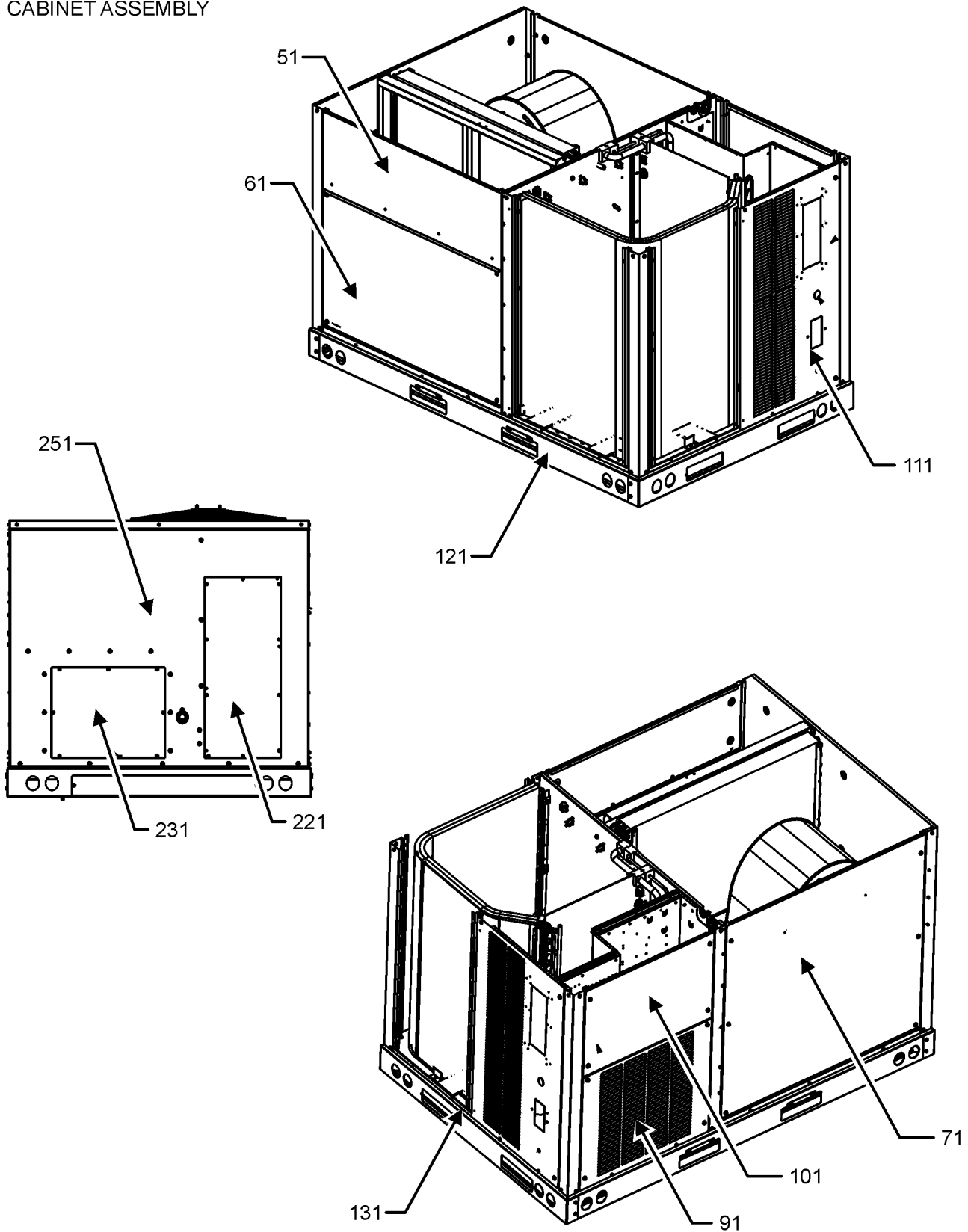
0161F00007 NAMEPLATE, GOODMAN

Expanded Model Nomenclature

M1 - GPHM56041AA

CABINET ASSEMBLY

CABINET ASSEMBLY



CABINET ASSEMBLY MAY DIFFER FROM WHAT IS SHOWN

CABINET ASSEMBLY

Ref. Part No: No:	Description:	Ref. Part No: No:	Description:
------------------------------	---------------------	------------------------------	---------------------

Image 1:

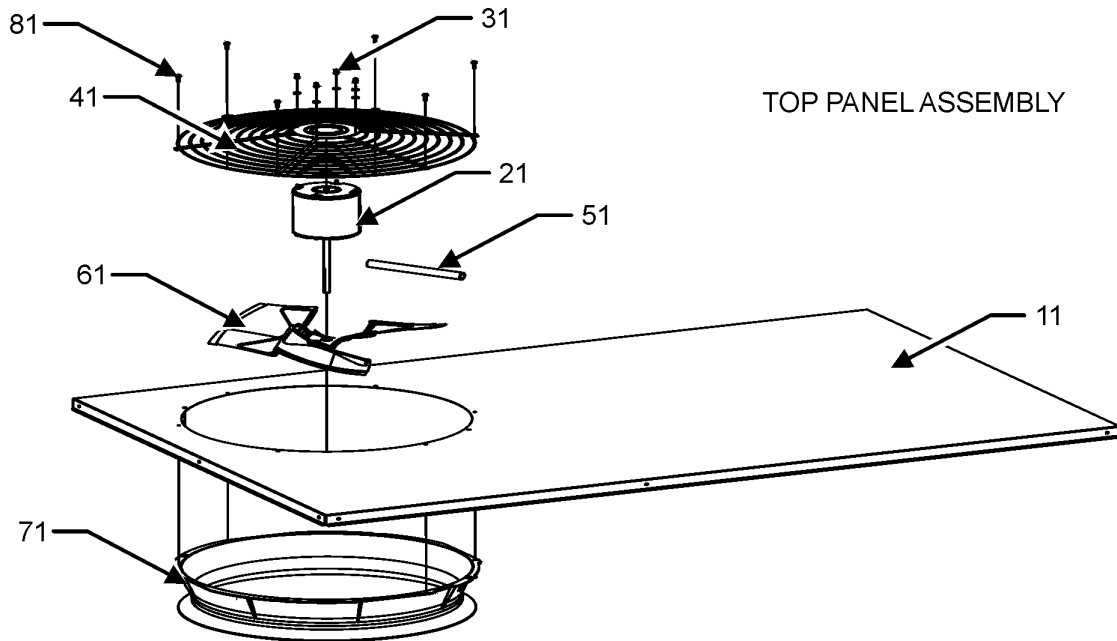
51	0121L01650DG	PAINTED FILTER PANEL
61	0121L01651DG	PAINTED ECONOMIZER PANEL
71	0121L04853DG	PAINTED, PANEL, BLOWER
91	0121L02265DG	PAINTED COMPRESSOR PANEL
101	0121L02262DG	PAINTED CONTROL BOX PANEL
111	0121L03643DG	PNT., COMPRESSOR BACK PANEL
121	0121L04850	RAIL, SIDE (QTY 2)
131	0121L04776	END RAIL
221	0121L02910DG	PAINTED COVER-DUCT RETURN
231	0121L02911DG	PAINTED COVER-DUCT SUPPLY
251	0121L03346DG	PAINTED DUCT PANEL
NS	0161F00007	NAMEPLATE, GOODMAN

Expanded Model Nomenclature

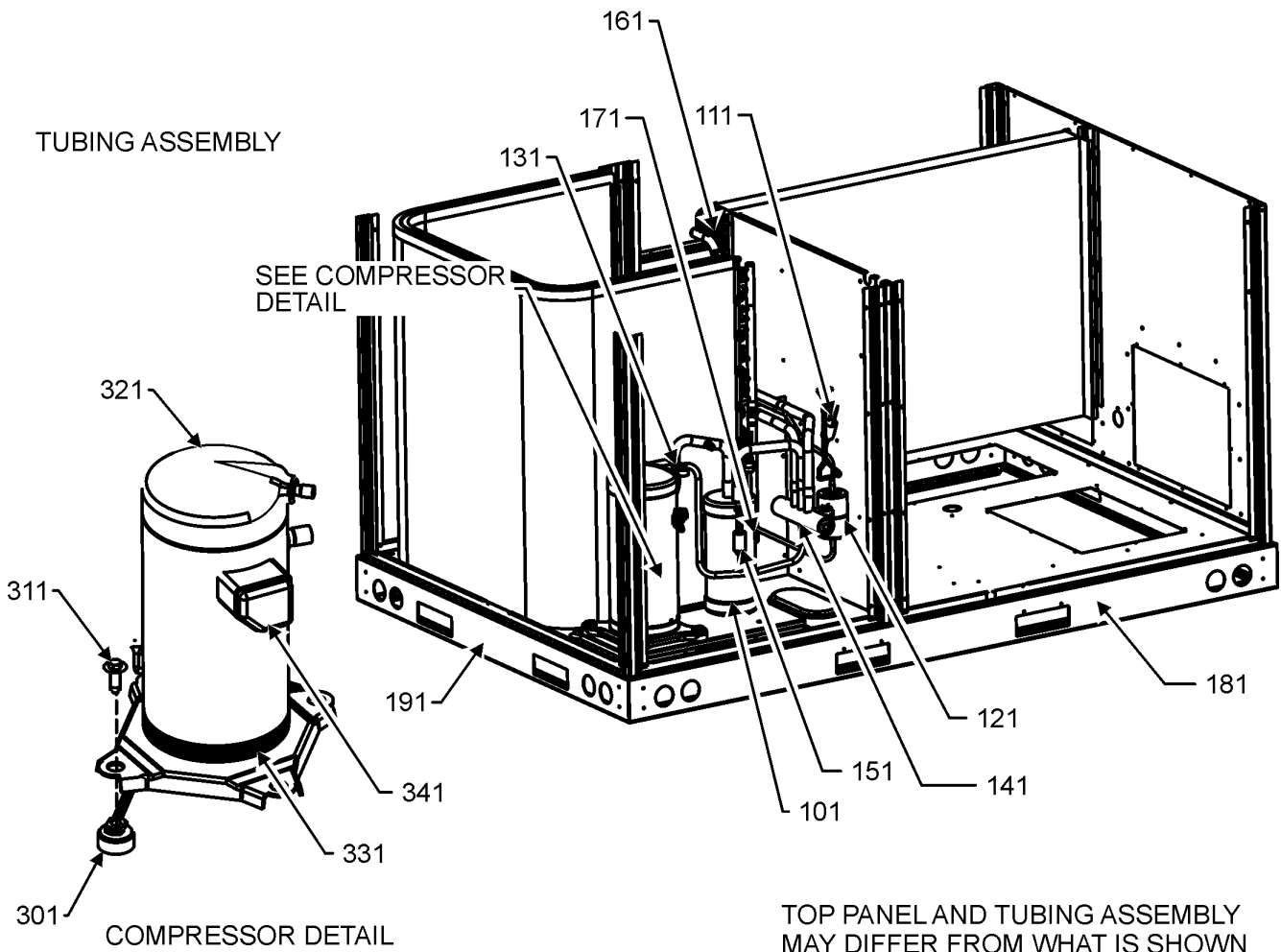
M1 - GPHM56041AA

TOP PANEL AND TUBING ASSEMBLY

TOP PANEL AND TUBING ASSEMBLY



TUBING ASSEMBLY



TOP PANEL AND TUBING ASSEMBLY

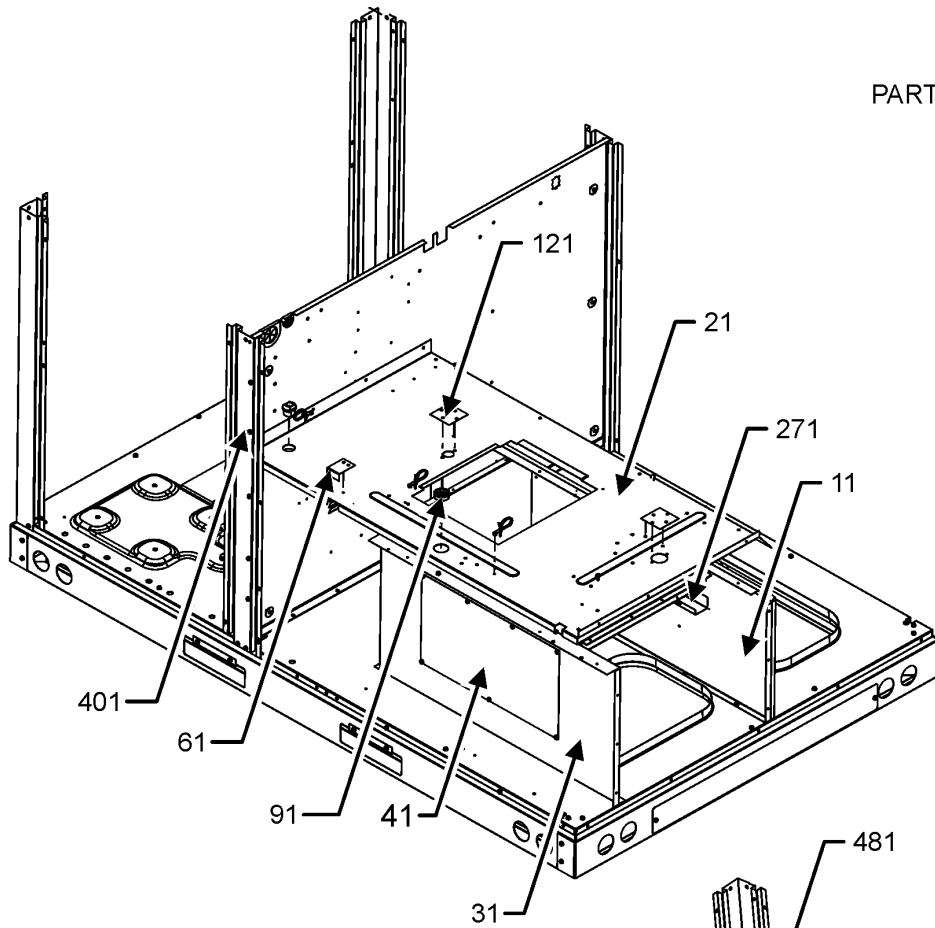
Ref. Part No:	Ref. Part No:	Description:	Description:
Image 1:			
11	0121L01626DG	PAINTED, TOP PANEL	
21	0131M00910	MOTOR	
31	0163M00006P	ACORN NUT 5/16 HEX BLACK (QTY 4)	
41	0152G00000	FAN GRILLE, RAISED	
51	0161R00003P	CONDUIT	
61	10625733	BLADE-FAN 22" ALUM CCW	
71	0161R00048	MOLDED RING-VENTURI 22	
81	0163M00004	SCREW #10X3/4", BLACK (QTY 8)	
101	0151L00058	ACCUMULATOR	
111	0130M00075	LOW PRESSURE SWITCH	
121	0162R00056	FILTER/DRIER-BI-FLOW	
131	0130M00199	SWITCH, CRANK CASE HEATER	
141	0151R00071	REVERSING VALVE	
151	0130M00280	HIGH PRESSURE SWITCH	
161	0130M00583	CONTROL DEFROST	
171	0130M00101	CONTROL DEFROST	
181	0121L04850	SIDE RAIL (QTY 2)	
191	0121L01621	END RAIL	
301	B1339533	COMPRESSOR GROMMET (QTY 4)	
311	B1393740	COMP. BOLT & SLEEVE (QTY 4)	
321	ZPS49K6EPFV130	COMP 49000,208/230/60/1	
331	0130L00209	HEATER, CRANKCASE 240V, 40W	
341	0159L00027	HARNES-COMP SCROLL	
NS	B1373315	ACCESS FITTING (QTY 2)	
NS	0141L00003X	BOARD-FORK (QTY 2)	
NS	0159G00010	CABLE, COMP SOL	
NS	0159G00010	CABLE, COMPR SOL	
NS	0163M00175	CAP WITH O-RING (QTY 2)	
NS	0251L00017	EXPANSION VALVE ASSY	
NS	0121L01654DG	PAINTED HAIL GUARD PANEL	
NS	0121L01655DG	PAINTED HAIL GUARD PANEL	
NS	0121L03516	PNL, BRACKET, FORK BOARD (QTY 4)	
NS	B1225022	SOLENOID COIL	
NS	0163M00005P	WASHER, BLACK (.50 OD .218ID) (QTY 4)	

Expanded Model Nomenclature

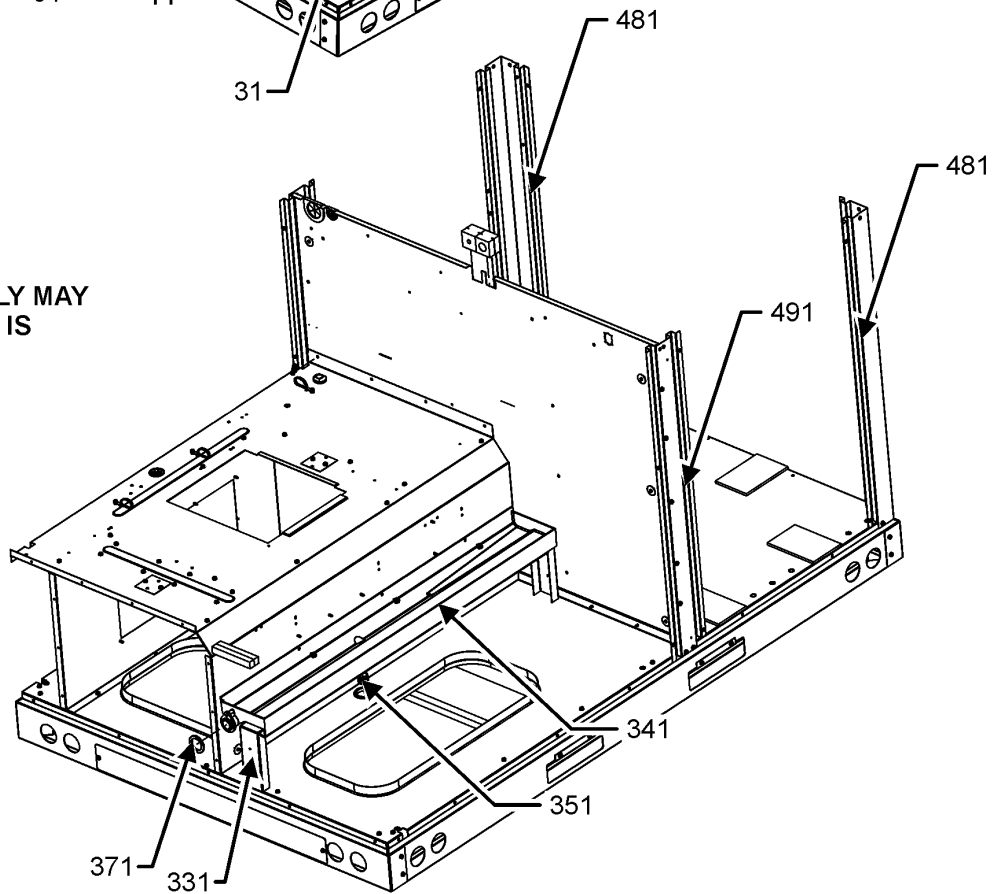
M1 - GPHM56041AA

PARTITION PANEL

PARTITION ASSEMBLY



PARTITION ASSEMBLY MAY DIFFER FROM WHAT IS SHOWN



PARTITION PANEL

Ref. Part No: No:	Description:	Ref. Part No: No:	Description:
-------------------	--------------	-------------------	--------------

Image 1:

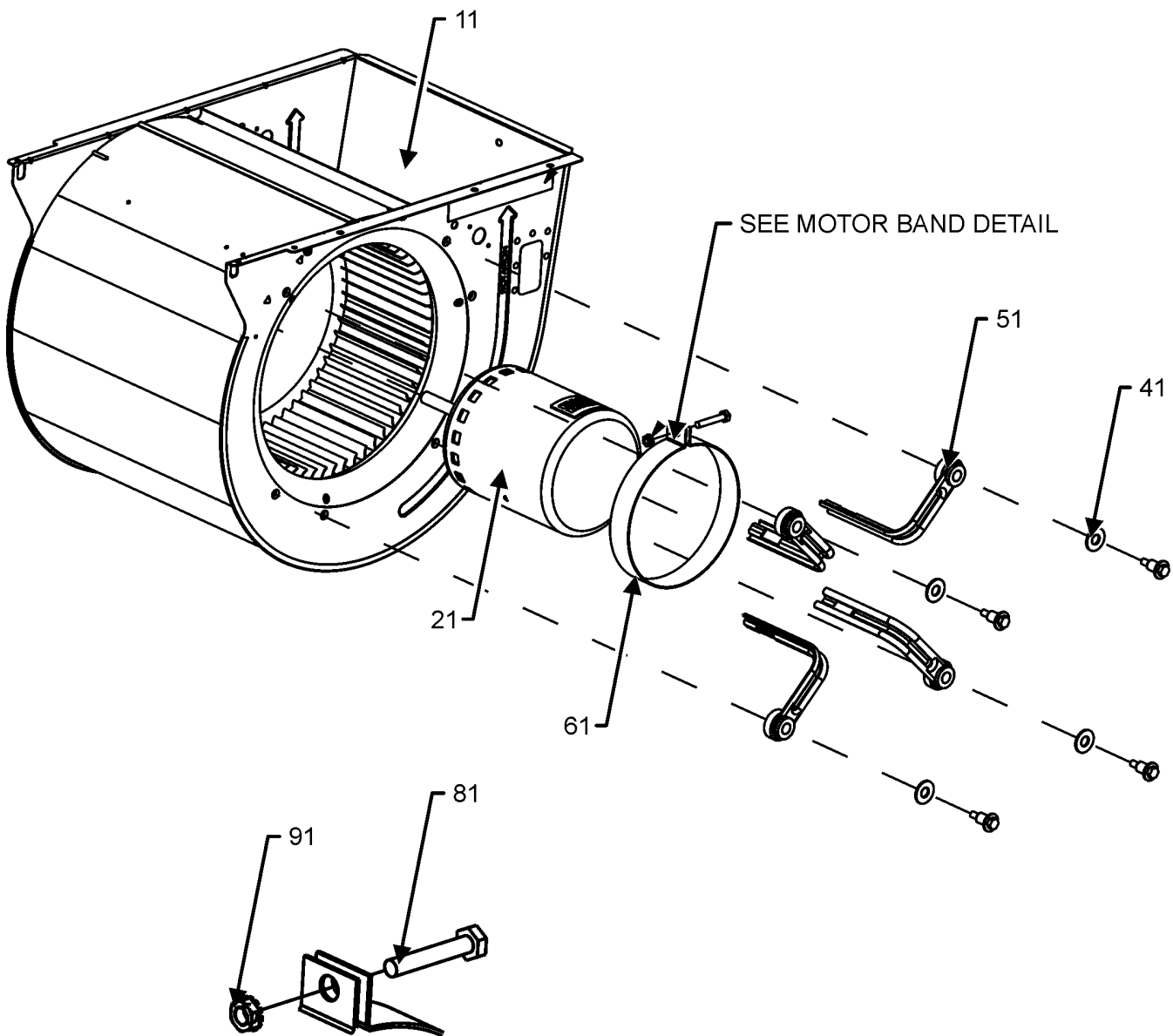
11	0121L02584	BLOWER DECK SIDE
21	0121L04695	PANEL, BLOWER DECK
31	0121L04424	HEAT KIT BOX
41	0121L00144	COVER-ELECTRIC HEAT
61	0121L01709	BLOWER DECK PLATE
91	B1392147	UNIVERSIAL BUSHING WITH SLICE (QTY 2)
121	0121L00321	COVER-SMOKE DETECTOR (QTY 2)
271	0121L02633	BLOWER DECK U-BRACKET
331	0121L01628	DRAINPAN SUPPORT
341	0161L00007	DRAIN PAN, EVAPORATOR 3-5 TON
351	0163L00071	PLUG, DRAIN
371	0154L00180	GASKET, DRAIN PAN
401	0121L04308DG	PAINTED, SIDE POST
481	0121L01625DG	PAINTED CORNER POST (QTY 2)
491	0121L03445DG	PAINTED SIDE POST
NS	0164M00111	GROMMET-D
NS	0164G00005	GROMMET-HORSESHOE 1.675
NS	0121L04896	OD COIL BLOCKOFF ANGLE
NS	0121L03515	RETAINER - ELECTRIC HEAT

Expanded Model Nomenclature

M1 - GPHM56041AA

BLOWER ASSEMBLY

BLOWER ASSEMBLY



MOTOR BAND DETAIL

BLOWER ASSEMBLY MAY DIFFER FROM WHAT IS SHOWN

BLOWER ASSEMBLY

Ref. Part No:	No:	Description:	Ref. Part No:	No:	Description:
---------------	-----	--------------	---------------	-----	--------------

Image 1:

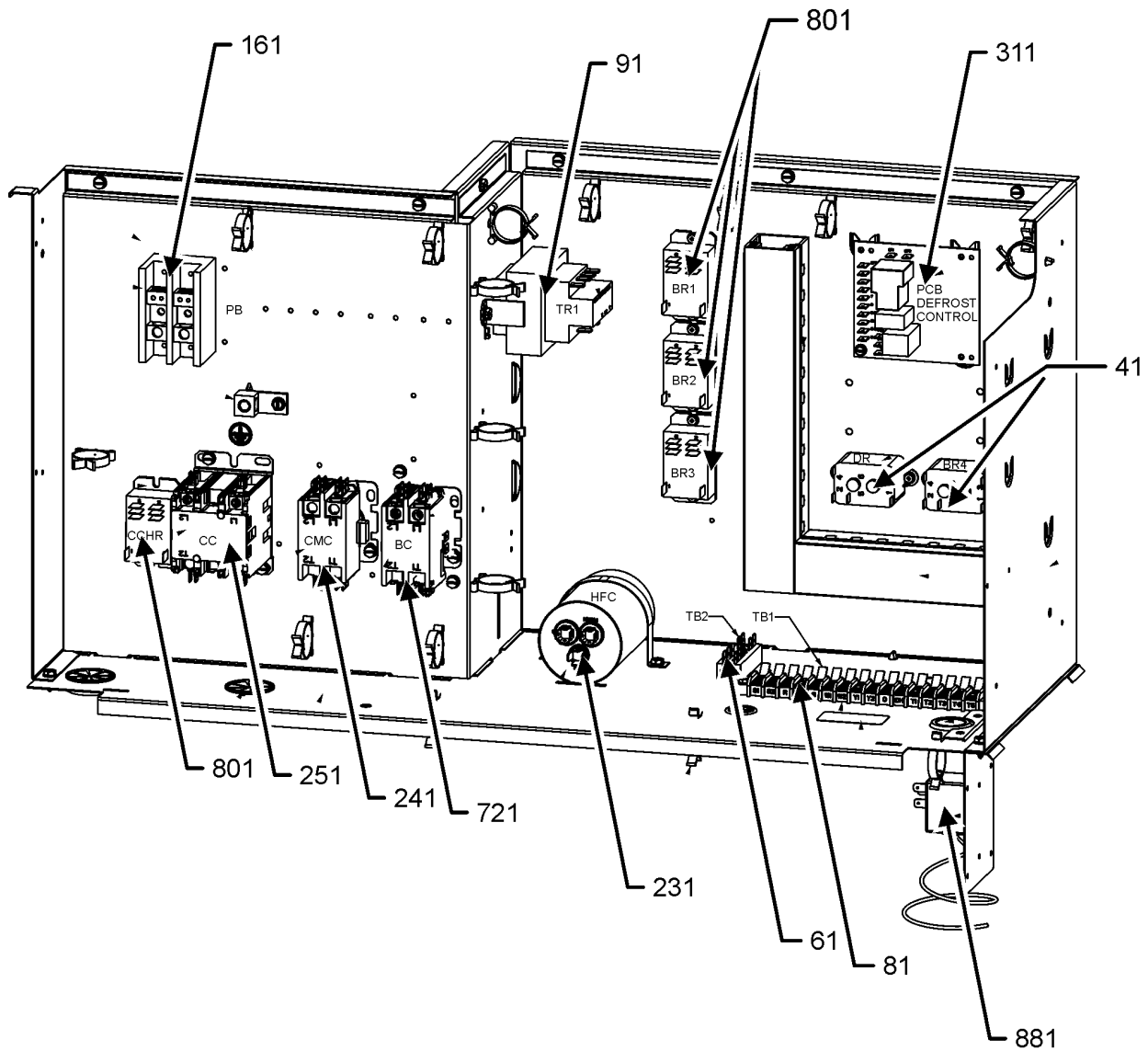
11	0271L00133	ASSY., HOUSING, BLWR
21	0131L00411	PROGRAMMED MOTOR
31	M0250565	SCREW-TC 1.25" (QTY 4)
41	B1392918	WASHER, FLAT 1/4 ID X 1 OD (QTY 4)
51	0163A00008	MOTOR MOUNTING ARM (QTY 4)
61	10441601	BAND-MTR MOUNT
81	M0267144	SCREW-MACH
91	M0282015	NUT-KEPS

Expanded Model Nomenclature

M1 - GPHM56041AA

CONTROL BOX ASSEMBLY

CONTROL BOX ASSEMBLY



CONTROL BOX ASSEMBLY MAY DIFFER FROM WHAT IS SHOWN

CONTROL BOX ASSEMBLY

Ref. Part No: No:	Description:	Ref. Part No: No:	Description:
----------------------	--------------	----------------------	--------------

Image 1:

41	10135604	RELAY (QTY 2)
61	0130M00038	TERMINAL BOARD
81	802007090	TERM BOARD
91	0130M00696	TRANSFORMER
161	0130M00510	BLOCK, POWER
231	CAP450000440CS	CAPACITOR
241	CONT2P025024V	CONT, 2 POLE, 25 AMP, 24 VAC
251	0130M00513	CONTACTOR
311	PCBDM133	PCB, DEFROST CONTROL
721	CONT2P025024V	CONT, 2 POLE, 25 AMP, 24 VAC
801	0130M00178	DPDT RELAY 24VAC (QTY 4)
881	0130M00615	THERMOSTAT, OUTDOOR
NS	0164M00079	BOOT-CAPACITOR, ROUND
NS	0130M00507	MOTOR POWER HARNESS
NS	0130M00507	POWER HARNESS
NS	20520901	STRAP-CAPACITOR
NS	0130M00506	X-13 LOW VOLTAGE WH

Expanded Model Nomenclature

M1 - GPHM56041AA