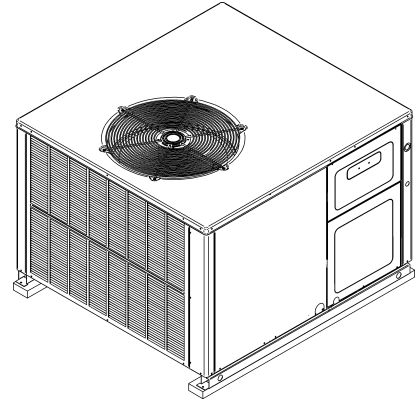




# REPAIR PARTS

## GPHM3 Residential Package Heat Pump

GPHM32441AA  
GPHM33041AA  
GPHM33641AA  
GPHM34241AA  
GPHM34841AA  
GPHM36041AA



This manual is to be used by qualified technicians only.

© 2022 - 2023 Goodman Manufacturing Company, L.P. ♦ 19001 Kermier Rd. ♦ Waller, TX 77484

# Important Information

---

## Index

Functional Parts List .....	3
Illustration and Parts .....	4 - 13

*Views shown are for parts illustrations only, not servicing procedures.*

### Text Codes:

AR - As Required

NA - Not Available

NS - Not Shown

00000000 - See Note

QTY - Quantity Example (QTY 3) (If Quantity not shown, Quantity = 1)

M - Model Example (M1) (If M Code not shown, then part is used on all Models)

### Expanded Model Nomenclature:

Example M1 - Model#1 M2 - Model#2 M3 - Model#3
---

Goodman Manufacturing Company, L.P. is not responsible for personal injury or property damage resulting from improper service. Review all service information before beginning repairs.

Warranty service must be performed by an authorized technician, using authorized factory parts. If service is required after the warranty expires, Goodman Manufacturing Company, L.P. also recommends contacting an authorized technician and using authorized factory parts.

Goodman Manufacturing Company, L.P. reserves the right to discontinue, or change at any time, specifications or designs without notice or without incurring obligations.

For assistance within the U.S.A. contact:  
Homeowner Support  
Goodman Manufacturing Company, L.P.  
19001 Kermier Road  
Waller, Texas 77484  
877-254-4729-Telephone  
713-863-2382-Facsimile

For assistance outside the U.S.A. contact:  
International Division  
Goodman Manufacturing Company, L.P.  
19001 Kermier Road  
Waller, Texas 77484  
713-861-2500-Telephone  
713-863-2382-Facsimile

# Functional Parts

## Part

## No: Description:

---

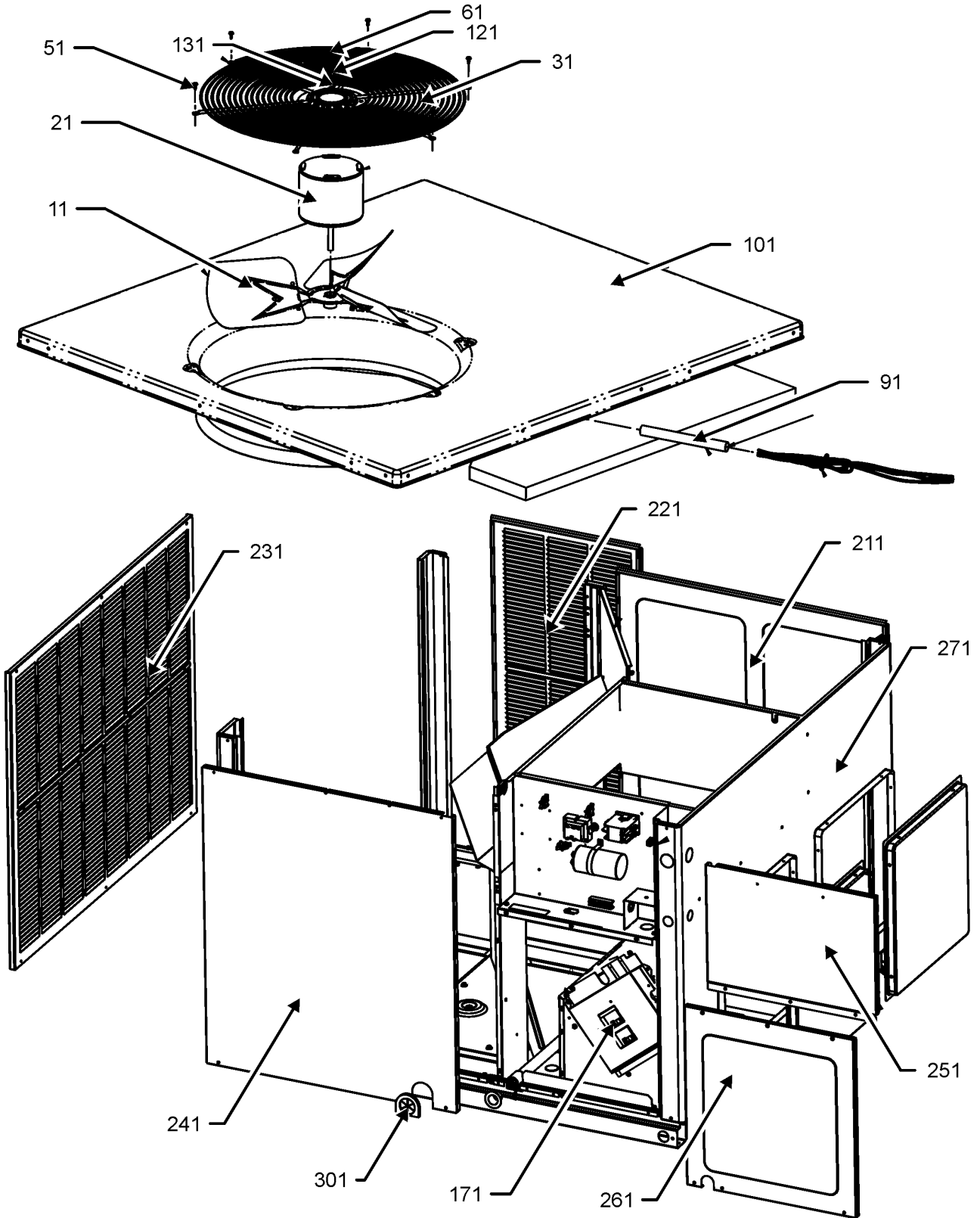
CAP100400440CT	CAP, 10/40 MFD, 440V/ DUAL RD (M6)
CAP100700440CT	CAP, 10/70 MFD/ 440V/ DUAL RD (M5)
CAB050400440CT	CAP, 5/40 MFD/440V RD - BPRF (M1, M2)
CAB050450440CT	CAP, 5/45 MFD/440V RD - BPRF (M3, M4)
ZP31K6EPFV120	COMP, 42500, 208/230/60/1 (M3)
ZP42K6EPFV130	COMP, 42500, 208/230/60/1 (M5)
ZPS51K6EPFV130	COMP, 52000/208-230-60/1 (M6)
ZP21K5EPFV130	COMP, 21300, 208/230/60/1 (M1)
ZP25K5EPFV130	COMP, 25200, 208/230/60/1 (M2)
ZP36K5EPFV130	COMP, 36200, 208/230/60/1 (M4)
CONT1P030024V	CONT, 1 POLE, 30 AMP, 24 VAC (M3)
CONT2P040024V	CONT, 2 POLE, 40 AMP, 24 VAC (M4, M5, M6)
0130M00197	CONTROL DEFROST
0131M00749M	CONTROLLERLESS MOTOR (M6)
0131M00747M	CONTROLLERLESS MOTOR (M4, M5)
0131M00750M	CONTROLLERLESS MOTOR (M1, M2, M3)
0163R00021	HEATER CRANKCASE (M5, M6)
0130M00075	LOW PRESSURE SWITCH
0131M00430	MOTOR, 1/3 HP, 1 SP, 6 PL (M5, M6)
0131M00847	MOTOR, 1/4 HP, 1 SP, 6 PL (M4)
0131M00836	MOTOR, 1/4HP, 1SP, 8PL, AL (M1, M2, M3)
PCBDM133	PCB DEFROST CONTROL
0131G00173	PROGRAMMED CONTROLLER (M5)
0131G00172	PROGRAMMED CONTROLLER (M4)
0131G00171	PROGRAMMED CONTROLLER (M3)
0131G00170	PROGRAMMED CONTROLLER (M2)
0131G00169	PROGRAMMED CONTROLLER (M1)
0131G00174	PROGRAMMED CONTROLLER (M6)
0130M00242	RELAY 24V (M6)
0151R00071	REVERSING VALVE (M3, M4, M5, M6)
0151R00069	REVERSING VALVE (M2)
0151R00068	REVERSING VALVE (M1)
0130M00199	SWITCH CRANK CASE HEATER (M5, M6)
0130M00138	TRANSFORMER 208/230 24V (M5, M6)
0151M00075	VALVE TXV R410A (M6)

### Expanded Model Nomenclature

- |                  |
|------------------|
| M1 - GPHM32441AA |
| M2 - GPHM33041AA |
| M3 - GPHM33641AA |
| M4 - GPHM34241AA |
| M5 - GPHM34841AA |
| M6 - GPHM36041AA |

# TOP PANEL AND CABINET ASSEMBLY

## TOP PANEL AND CABINET ASSEMBLY



TOP PANEL AND CABINET ASSEMBLY MAY DIFFER FROM WHAT IS SHOWN

# TOP PANEL AND CABINET ASSEMBLY

Ref. Part No: No:	Description:	Ref. Part No: No:	Description:
-------------------	--------------	-------------------	--------------

**Image 1:**

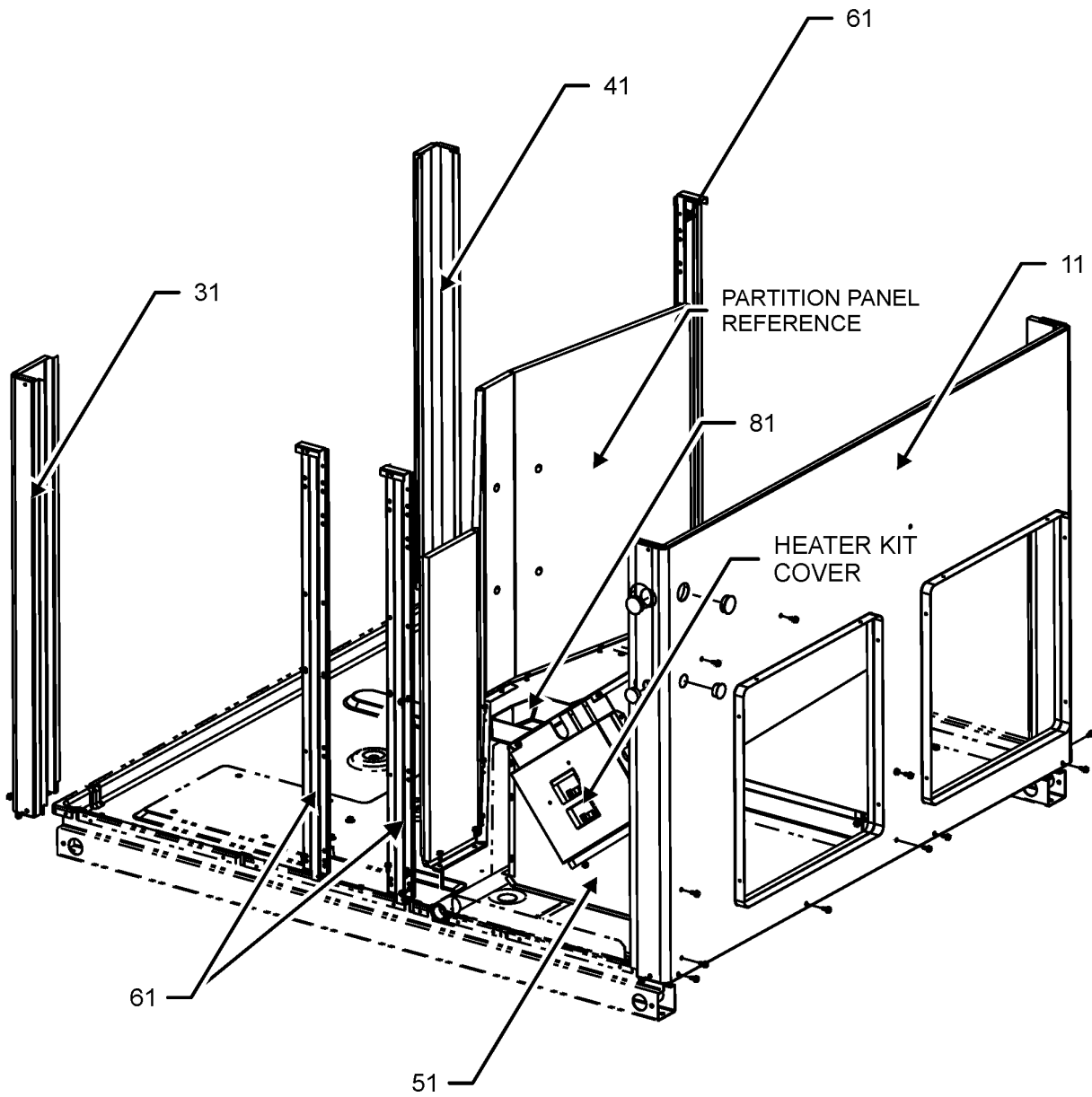
11	0150G00002	FAN BLADE SWP/W (M3, M4, M5, M6)
11	0150M00008	FAN BLADE, 22" TNT2203-25 (M1, M2)
21	0131M00430	MOTOR, 1/3 HP, 1 SP, 6 PL (M5, M6)
21	0131M00847	MOTOR, 1/4 HP, 1 SP, 6 PL (M4)
21	0131M00836	MOTOR, 1/4HP,1SP,8PL,AL (M1, M2, M3)
31	0152G00000	FAN GRILLE, RAISED (M3, M4, M5, M6)
31	0152G00003	GRILLE-FAN (M1, M2)
51	M0221817	SCREW SM (QTY 6)
61	0163M00006P	NUT ACORN 5/16 HEX BLACK (QTY 4)
91	0161R00002P	CONDUIT
101	0121G00887PDG	PNL TOP PNT
121	0163M00005P	WASHER BLACK .50 OD .218ID (QTY 4)
131	M0272803	WASHER LOCK
171	0121G00725	COVER HK (QTY 2)
211	20464801PDG	DOOR - BLOWER 32 W/PAINT (M1, M2, M3)
211	20464806PDG	DOOR - BLOWER 40 W/PAINT (M4, M5, M6)
221	20467701PDG	PANEL - COND SIDE 32 W/PAINT (M1, M2, M3)
221	20467702PDG	PANEL - COND SIDE 40 W/PAINT (M4, M5, M6)
231	0121G00728DG	PANEL-COND LOUVERED 32 (M1, M2, M3)
231	0121G00729DG	PANEL-COND LOUVERED 40 (M4, M5, M6)
241	0121G00659DG	COMPRESSOR PANEL (M5, M6)
241	0121G00662DG	COMPRESSOR PANEL (M1, M2, M3)
241	0121G00663DG	COMPRESSOR PANEL (M4)
251	0121G00939DG	PAINTED PANEL CB CNVRT
261	0121G00882DG	PAINTED, BLO PNL, CNVRT 32.5" (M1, M2, M3)
261	0121G00883DG	PNL, PAINTED 40" BLWR (M4, M5, M6)
271	0121G00800DG	PNL, DUCT, CNVRT, 32.5" PNT (M1, M2, M3)
271	0121G00801DG	PNL, DUCT, CNVRT, 40" PNT (M4, M5, M6)
301	0164G00005	GROMMET HORSESHOE 1.675
NS	0164M00111	GROMMET D
NS	B1392012	GROMMET HS 1.0 - .79 (QTY 2)

**Expanded Model Nomenclature**

M1 - GPHM32441AA
M2 - GPHM33041AA
M3 - GPHM33641AA
M4 - GPHM34241AA
M5 - GPHM34841AA
M6 - GPHM36041AA

# PARTITION ASSEMBLY

## PARTITION ASSEMBLY



PARTITION ASSEMBLY MAY DIFFER FROM WHAT IS SHOWN

# PARTITION ASSEMBLY

Ref. Part No:	No:	Description:	Ref. Part No:	No:	Description:
---------------	-----	--------------	---------------	-----	--------------

---

**Image 1:**

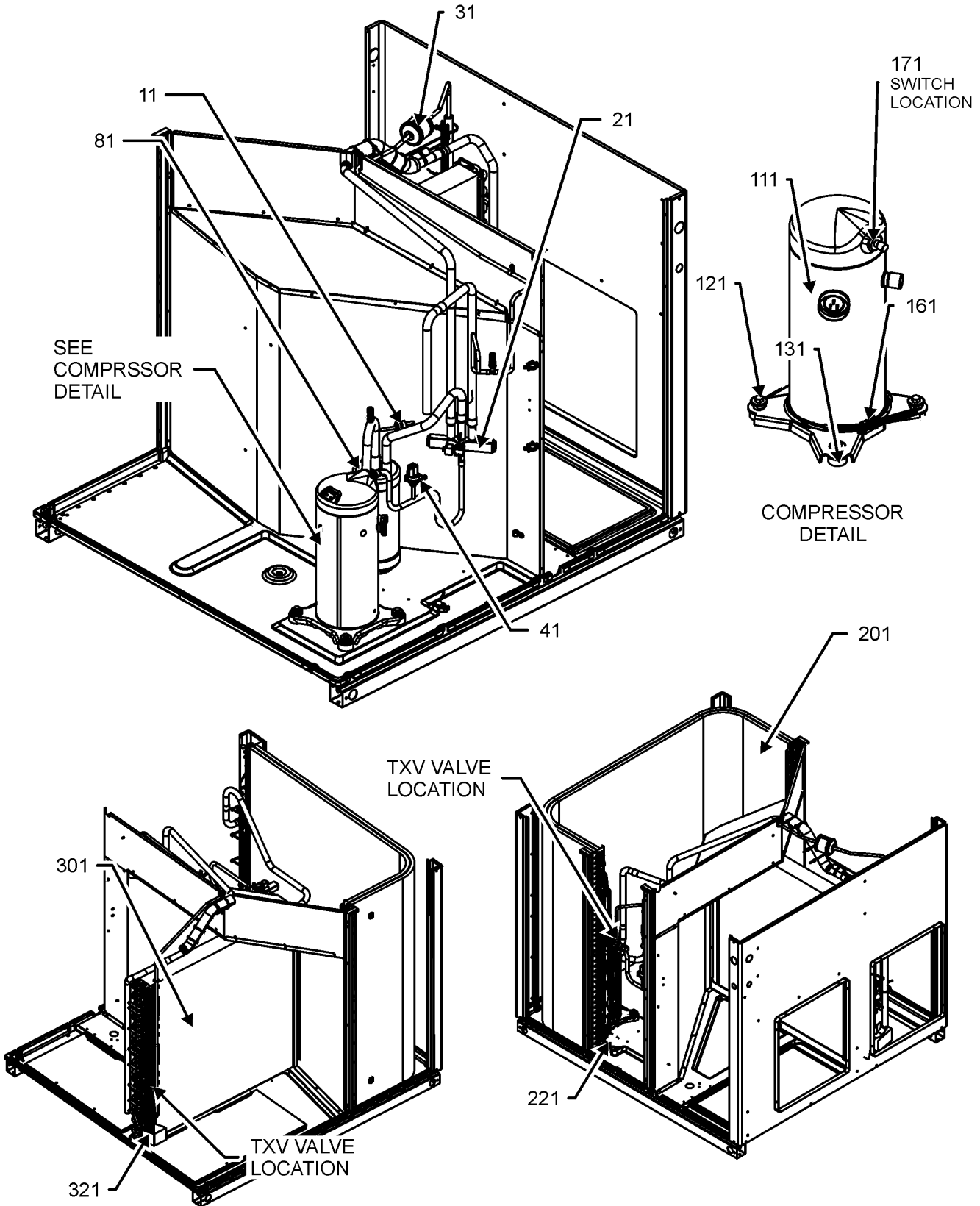
11	0121G00800DG	PNL, DUCT, CNVRT, 32.5" PNT (M1, M2, M3)
11	0121G00801DG	PNL, DUCT, CNVRT, 40" PNT (M4, M5, M6)
31	20464201PDG	CRNR POST-COMP END 32 W/PAINT (M1, M2, M3)
31	20464202PDG	CRNR POST-COMP END 40 W/PAINT (M4, M5, M6)
41	20464301PDG	CRNR POST-HPIN END 32 W/PAINT (M1, M2, M3)
41	20464302PDG	CRNR POST-HPIN END 40 W/PAINT (M4, M5, M6)
51	0221G00014	ASSY, BLO TNSN
61	0121G00460	POST-SUPPORT, SIDE (M1, M2, M3)
61	0121G00615	POST-SUPPORT, SIDE 40 (M4, M5, M6)
81	0161G00003	DRIP PAN PLASTIC
NS	0261G00001	PIPE DRAIN (M4, M5, M6)

**Expanded Model Nomenclature**

M1 - GPHM32441AA
M2 - GPHM33041AA
M3 - GPHM33641AA
M4 - GPHM34241AA
M5 - GPHM34841AA
M6 - GPHM36041AA

# TUBING ASSEMBLY

## TUBING ASSEMBLY



TUBING ASSEMBLY MAY DIFFER FROM WHAT IS SHOWN

# TUBING ASSEMBLY

Ref. Part No:	Part No:	Description:	Ref. Part No:	Part No:	Description:
---------------	----------	--------------	---------------	----------	--------------

**Image 1:**

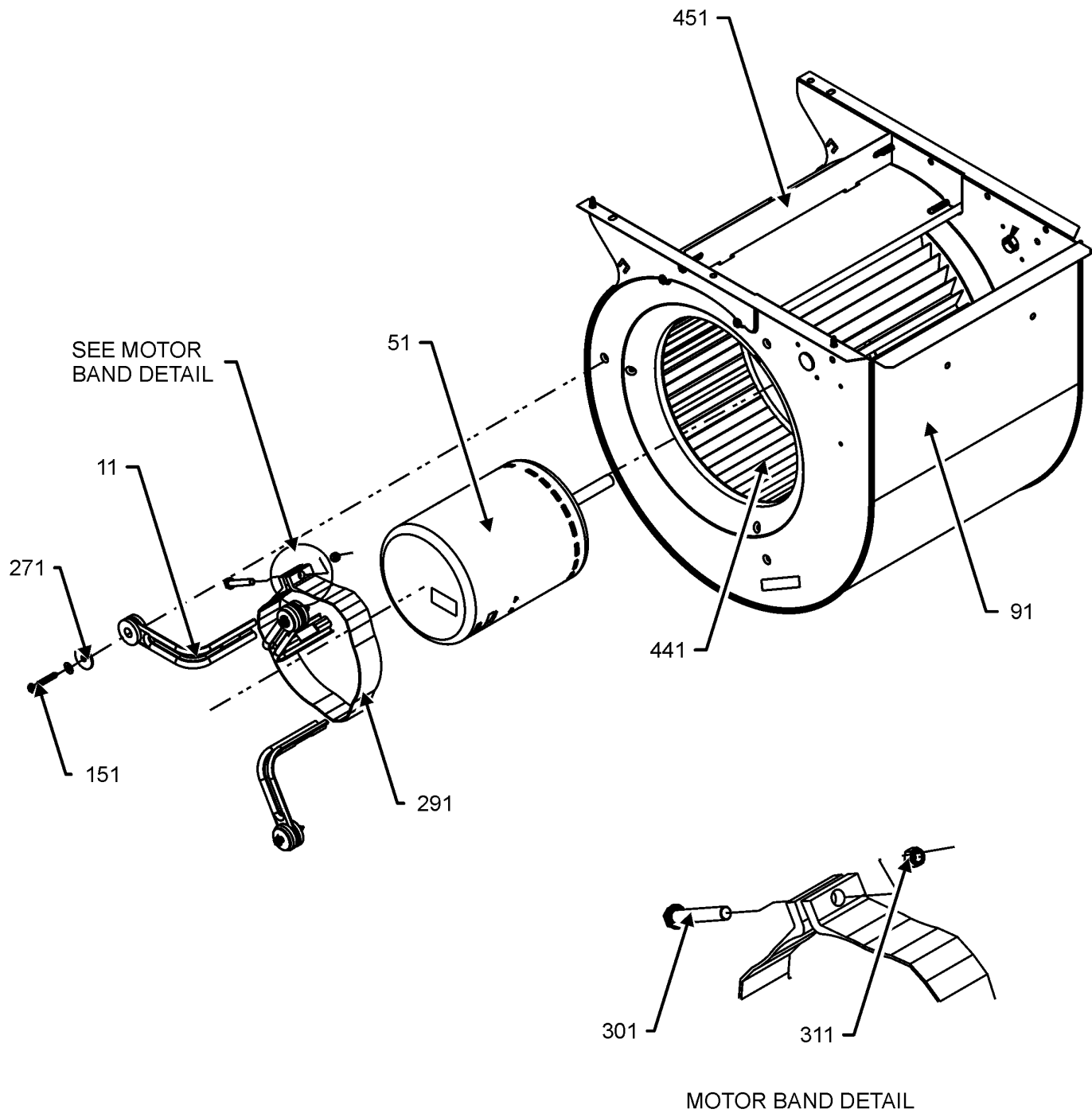
11	0130M00075	LOW PRESSURE SWITCH
21	0151R00068	REVERSING VALVE (M1)
21	0151R00069	REVERSING VALVE (M2)
21	0151R00071	REVERSING VALVE (M3, M4, M5, M6)
31	0162R00056	FILTER/DRIER BI FLOW
41	0130M00074	HIGH PRESSURE SWITCH
81	B1226206	ACCUMULATOR (M1, M2)
81	B1226207	ACCUMULATOR (M3, M4, M5, M6)
111	ZP31K6EPFV120	COMP, 42500, 208/230/60/1 (M3)
111	ZP42K6EPFV130	COMP, 42500, 208/230/60/1 (M5)
111	ZPS51K6EPFV130	COMP, 52000/208-230-60/1 (M6)
111	ZP21K5EPFV130	COMP,21300,208/230/60/1 (M1)
111	ZP25K5EPFV130	COMP,25200,208/230/60/1 (M2)
111	ZP36K5EPFV130	COMP,36200,208/230/60/1 (M4)
121	B1339533	GROMMET COMPRESSOR SCROLL (QTY 4)
131	M0221641	SCREW SHOULD TF (QTY 4)
161	0163R00021	HEATER CRANKCASE (M5, M6)
171	0130M00199	SWITCH CRANK CASE HEATER (M5, M6)
201	0201G00476	ASSY., COND COIL (M1)
201	0201G00477	ASSY., COND COIL (M3)
201	0201G00478	ASSY., COND COIL (M5)
201	0201G00323	COND COIL ASSY (M2)
201	0201G00461	COND COIL ASSY (M4)
201	0201G00466	COND COIL ASSY (M6)
221	0130M00197	CONTROL DEFROST
301	0202G00779	ASSY., COIL TUBING (M4)
301	0202G00576	COIL TUBING ASSY (M1)
301	0202G00577	COIL TUBING ASSY (M2)
301	0202G00578	COIL TUBING ASSY (M3)
301	0202G00580	COIL TUBING ASSY (M5)
301	0202G00723	COIL TUBING ASSY (M6)
321	0121G00509	SHIELD DRIP
NS	B1373315	ACCESS FITTING (QTY 2)
NS	0159G00001	CABLE, COMPR SOL (M6)
NS	0163M00175	CAP WITH O RING (QTY 2)
NS	0159G00004	HARNESS-COMP SCROLL (M6)
NS	0159G00014	HARNESS-COMP SCROLL (M1, M2, M3, M4, M5)
NS	0151M00075	VALVE TXV R410A (M6)

**Expanded Model Nomenclature**

- |                  |
|------------------|
| M1 - GPHM32441AA |
| M2 - GPHM33041AA |
| M3 - GPHM33641AA |
| M4 - GPHM34241AA |
| M5 - GPHM34841AA |
| M6 - GPHM36041AA |

# BLOWER ASSEMBLY

## BLOWER ASSEMBLY



BLOWER ASSEMBLY MAY DIFFER FROM WHAT SHOWN

# BLOWER ASSEMBLY

Ref. Part No:	No:	Description:	Ref. Part No:	No:	Description:
---------------	-----	--------------	---------------	-----	--------------

---

**Image 1:**

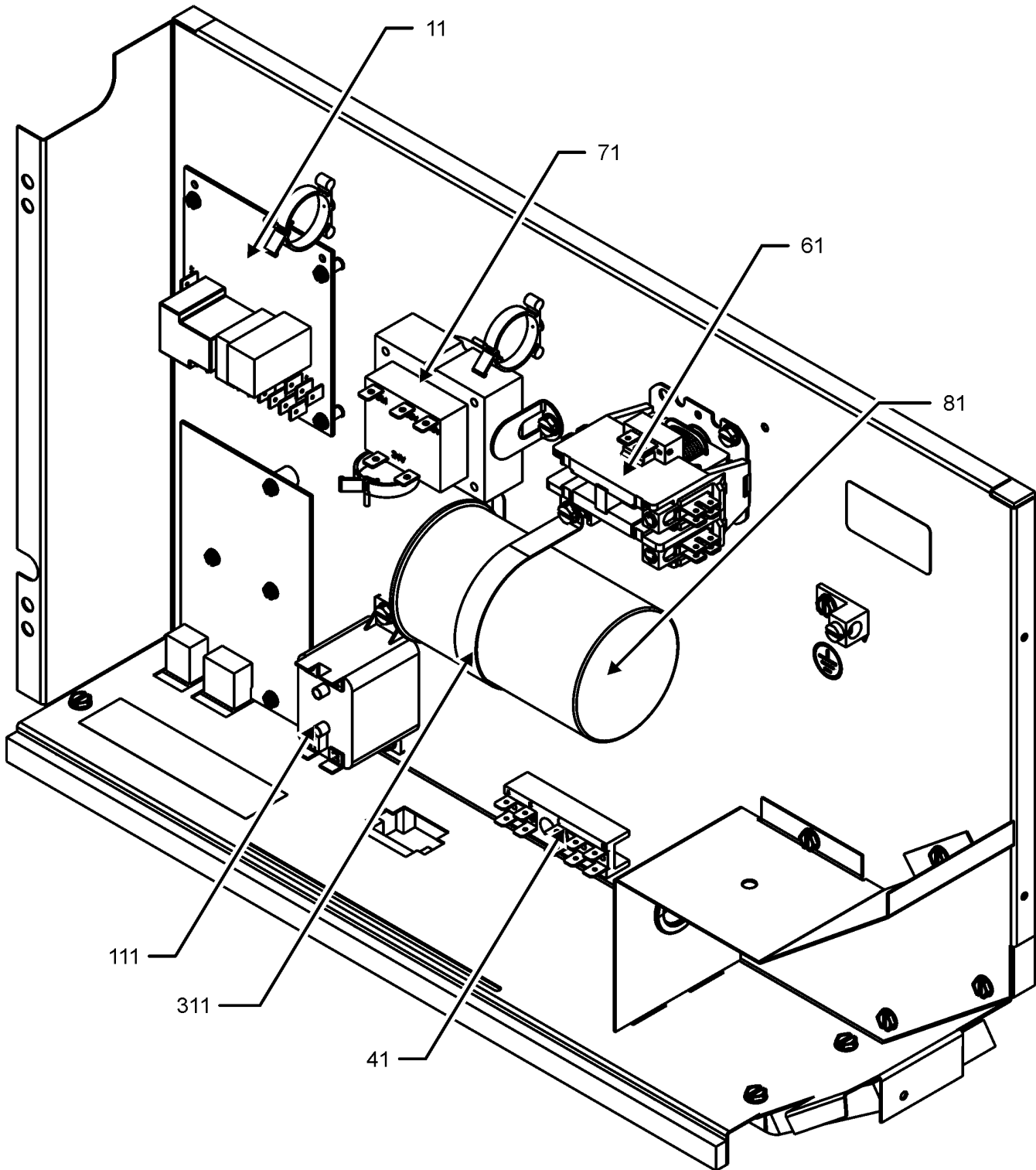
11	B1376857	MOTOR MOUNT ARM (QTY 3)
51	0131M00747M	CONTROLLERLESS MOTOR (M4, M5)
51	0131M00749M	CONTROLLERLESS MOTOR (M6)
51	0131M00750M	CONTROLLERLESS MOTOR (M1, M2, M3)
51	0131G00169	PROGRAMMED CONTROLLER (M1)
51	0131G00170	PROGRAMMED CONTROLLER (M2)
51	0131G00171	PROGRAMMED CONTROLLER (M3)
51	0131G00172	PROGRAMMED CONTROLLER (M4)
51	0131G00173	PROGRAMMED CONTROLLER (M5)
51	0131G00174	PROGRAMMED CONTROLLER (M6)
91	0271G00024	BLOWER HOUSING ASSY 10X9
151	M0250565	SCREW TC 1.25 (QTY 3)
271	B1392918	WASHER FLAT 1/4 ID X 1 OD (QTY 3)
291	0121M00038	MOUNT BAND MOTOR
301	B1393323	SCREW MACH HWH 1/4 20X1 1/2BZ
311	B1393800	LOCKNUT NYLON INSERT 1/4 20
441	D6723303	WHEEL BLOWER
451	764742	BLOCK OFF - BLOWER
NS	0259G00155	BLOWER HARNESS ASSEMBLY
NS	M0221817	SCREW SM (QTY 2)

**Expanded Model Nomenclature**

M1 - GPHM32441AA
M2 - GPHM33041AA
M3 - GPHM33641AA
M4 - GPHM34241AA
M5 - GPHM34841AA
M6 - GPHM36041AA

# CONTROL BOX ASSEMBLY

CONTROL BOX ASSEMBLY



CONTROL BOX ASSEMBLY MAY DIFFER FROM WHAT IS SHOWN

# CONTROL BOX ASSEMBLY

Ref. Part No:	No:	Description:	Ref. Part No:	No:	Description:
---------------	-----	--------------	---------------	-----	--------------

---

**Image 1:**

11	PCBDM133	PCB DEFROST CONTROL
41	802007090	TERM BOARD
61	CONT1P030024V	CONT, 1 POLE, 30 AMP, 24 VAC (M3)
61	CONT2P040024V	CONT, 2 POLE, 40 AMP, 24 VAC (M4, M5, M6)
71	0130M00138	TRANSFORMER 208/230 24V (M5, M6)
81	CAP100400440CT	CAP, 10/40 MFD, 440V/ DUAL RD (M6)
81	CAP100700440CT	CAP, 10/70 MFD/ 440V/ DUAL RD (M5)
81	CAB050400440CT	CAP, 5/40 MFD/440V RD - BPRF (M1, M2)
81	CAB050450440CT	CAP, 5/45 MFD/440V RD - BPRF (M3, M4)
111	0130M00242	RELAY 24V (M6)
311	20520901	STRAP-CAPACITOR
NS	0259G00134	HARNESS, CONTROL (M6)
NS	0259G00305	HARNESS, CONTROL (M1, M2, M3, M4, M5)
NS	0159G00004	HARNESS-COMP SCROLL (M6)
NS	0159G00014	HARNESS-COMP SCROLL (M1, M2, M3, M4, M5)

**Expanded Model Nomenclature**

M1 - GPHM32441AA
M2 - GPHM33041AA
M3 - GPHM33641AA
M4 - GPHM34241AA
M5 - GPHM34841AA
M6 - GPHM36041AA