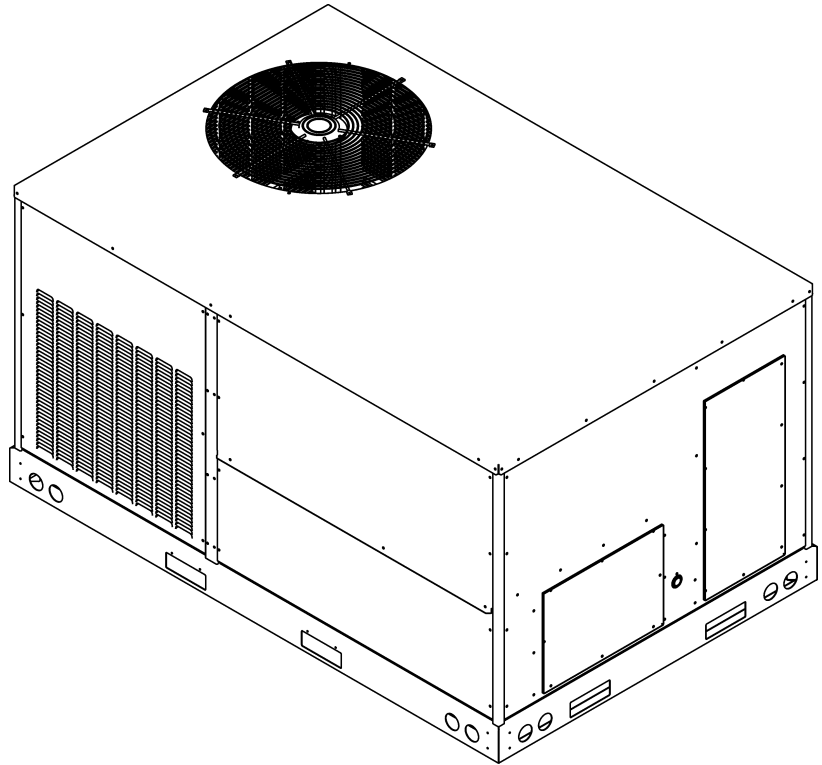


## GPH16 "M" Series Residential Package Heat Pump

GPH1660M41AA



This manual is to be used by qualified technicians only.

# Important Information

---

## Index

Functional Parts List .....	3
Illustration and Parts .....	4 - 11

*Views shown are for parts illustrations only, not servicing procedures*

### Text Codes:

AR - As Required

NA - Not Available

NS - Not Shown

00000000 - See Note

QTY - Quantity Example (QTY 3) (If Quantity not shown, Quantity = 1)

M - Model Example (M1) (If M Code not shown, then part is used on all Models)

### Expanded Model Nomenclature:

Example M1 - Model#1 M2 - Model#2 M3 - Model#3
---

Goodman Company, L.P. is not responsible for personal injury or property damage resulting from improper service. Review all service information before beginning repairs.

Warranty service must be performed by an authorized technician, using authorized factory parts. If service is required after the warranty expires, Goodman Company, L.P. also recommends contacting an authorized technician and using authorized factory parts.

Goodman Company, L.P. reserves the right to discontinue, or change at any time, specifications or designs without notice or without incurring obligations.

For assistance within the U.S.A. contact:

Homeowner Support  
Goodman Company, L.P.  
19001 Kermier Road  
Waller, Texas 77484  
877-254-4729-Telephone  
713-863-2382-Facsimile

For assistance outside the U.S.A. contact:

International Division  
Goodman Company, L.P.  
19001 Kermier Road  
Waller, Texas 77484  
713-861-2500-Telephone  
713-863-2382-Facsimile

# Functional Parts

## Part

## No: Description:

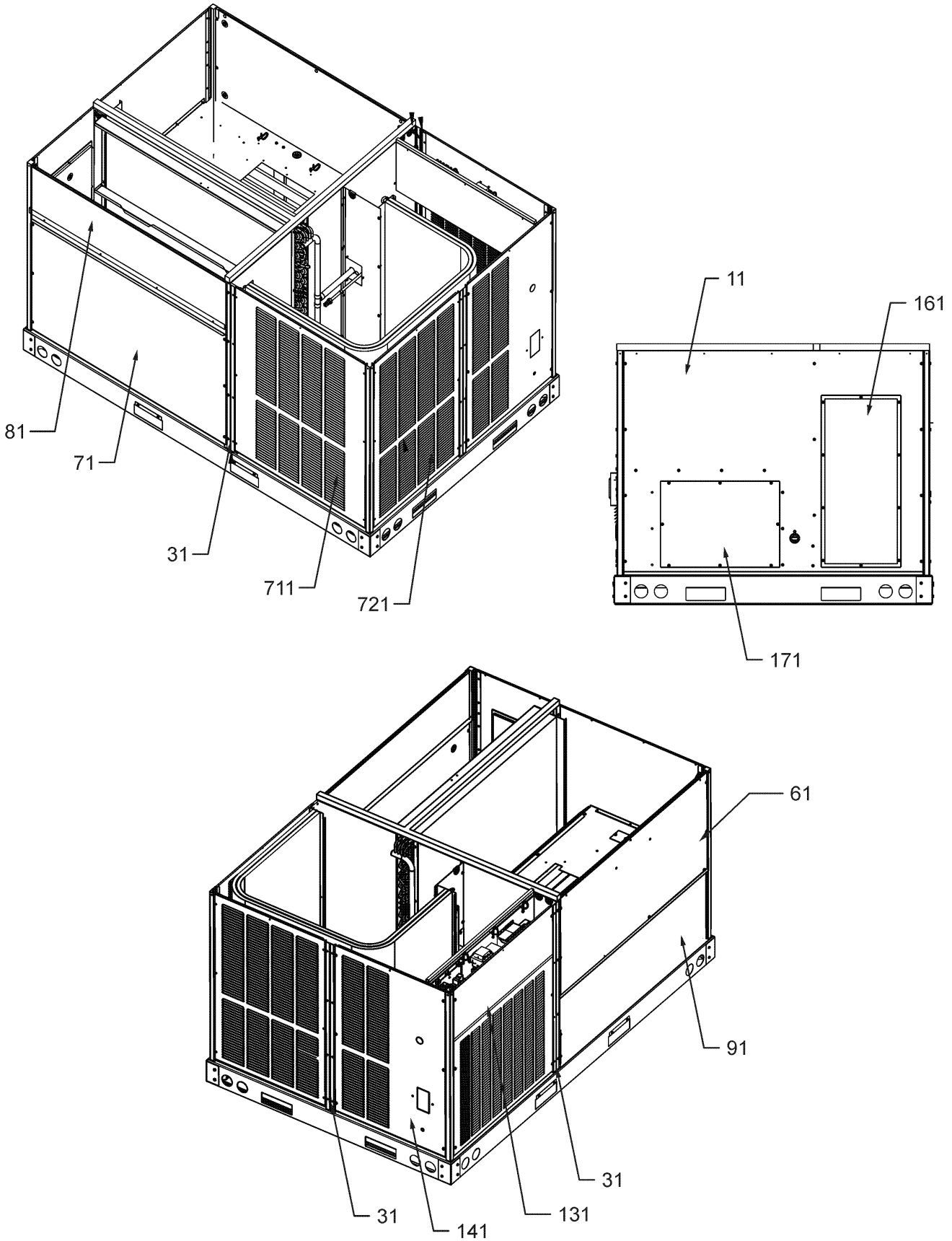
---

B1226207	ACCUMULATOR
B1368000	BLOWER WHEEL (11X10))
CAP100400440CT	CAP, 10/40 MFD, 440V/ DUAL RD
ZPS49K5EPFV130	COMP, 49100,208/230/60/1
CONT2P040024V	CONTACTOR 40 AMP, 2P, 24V
0130M00101	CONTROL,DEFROST
0130L00017	CRANKCASE HEATER 70W 240V
0130M00106	DISC THERMOSTAT CRNKCS HTR SW
0130M00074	HIGH PRESSURE SWITCH
0130M00075	LOW PRESSURE SWITCH
0131M00430	MOTOR, 1/3 HP, 1SP, 6PL
0131M00521	MOTOR-1HP PROGRAMMED SELECTECH
PCBDM133	PCB, DEFROST CONTROL
0130M00242	RELAY, 24V
0151R00071	REVERSING VALVE
B1225022	SOLENOID COIL
0130M00138	TRANSFORMER, 208/230, 24V
0151M00050	VALVE, NXT

### Expanded Model Nomenclature

M1 - GPH1660M41AA
-------------------

# Cabinet Assy



# Cabinet Assy

Ref. Part No:	No:	Description:	Ref. Part No:	No:	Description:
---------------	-----	--------------	---------------	-----	--------------

---

**Image 1:**

11	0121L00342DG	DUCT PANEL			
31	0121L00343RFDG	POST-SIDE RF PAINTED			
31	0121L01169RFDG	POST-SIDE RF PAINTED			
61	0121L01172DG	DOOR-BLOWER, PAINTED [6 TON]			
71	0121L00976DG	DOOR-ECONOMIZER			
81	0270L00363DG	DOOR-FILTER			
91	0121L01176DG	DOOR-COOLING&ELEC HEAT			
131	0121L01170DG	CONTROL PANEL/W LOUVERS			
141	0121L00354DG	PANEL-COMPRESSOR LOUVERS			
161	0121L00023DG	RETURN DUCT			
171	0121L00024DG	SUPPLY DUCT			
711	0121L00355DG	PANEL-SIDE LOUVERS			
721	0121L00356DG	PANEL-END LOUVERS			
NS	0164L00011	GASKET-RUBBER, SIDE POST			

**Expanded Model Nomenclature**

M1 - GPH1660M41AA

# Top and Partition Assy

IMAGE 1

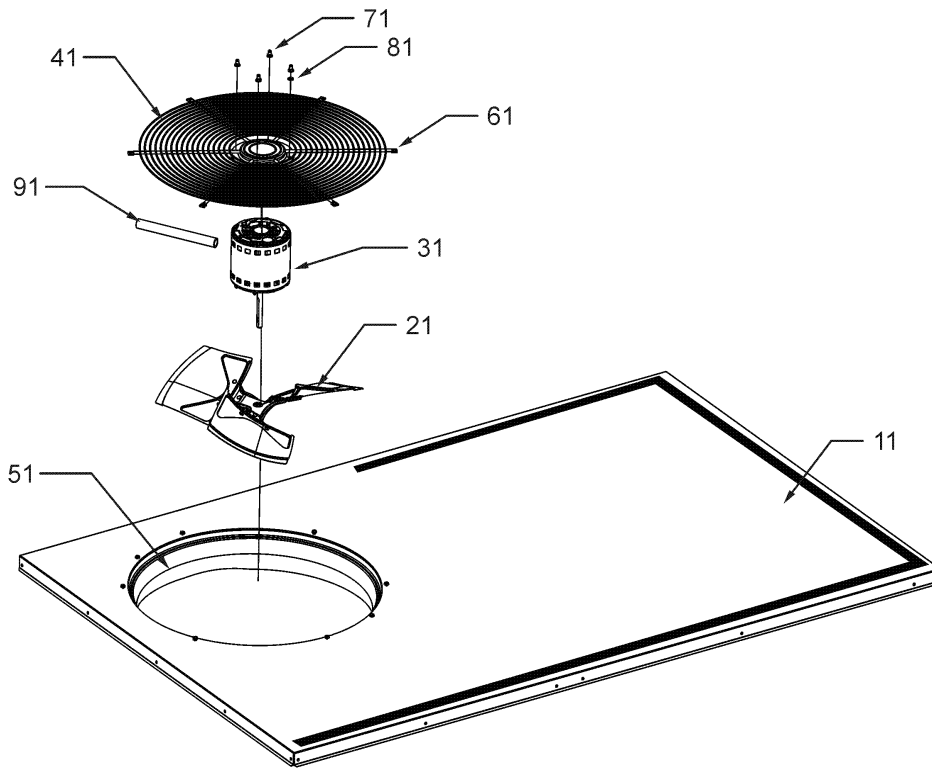
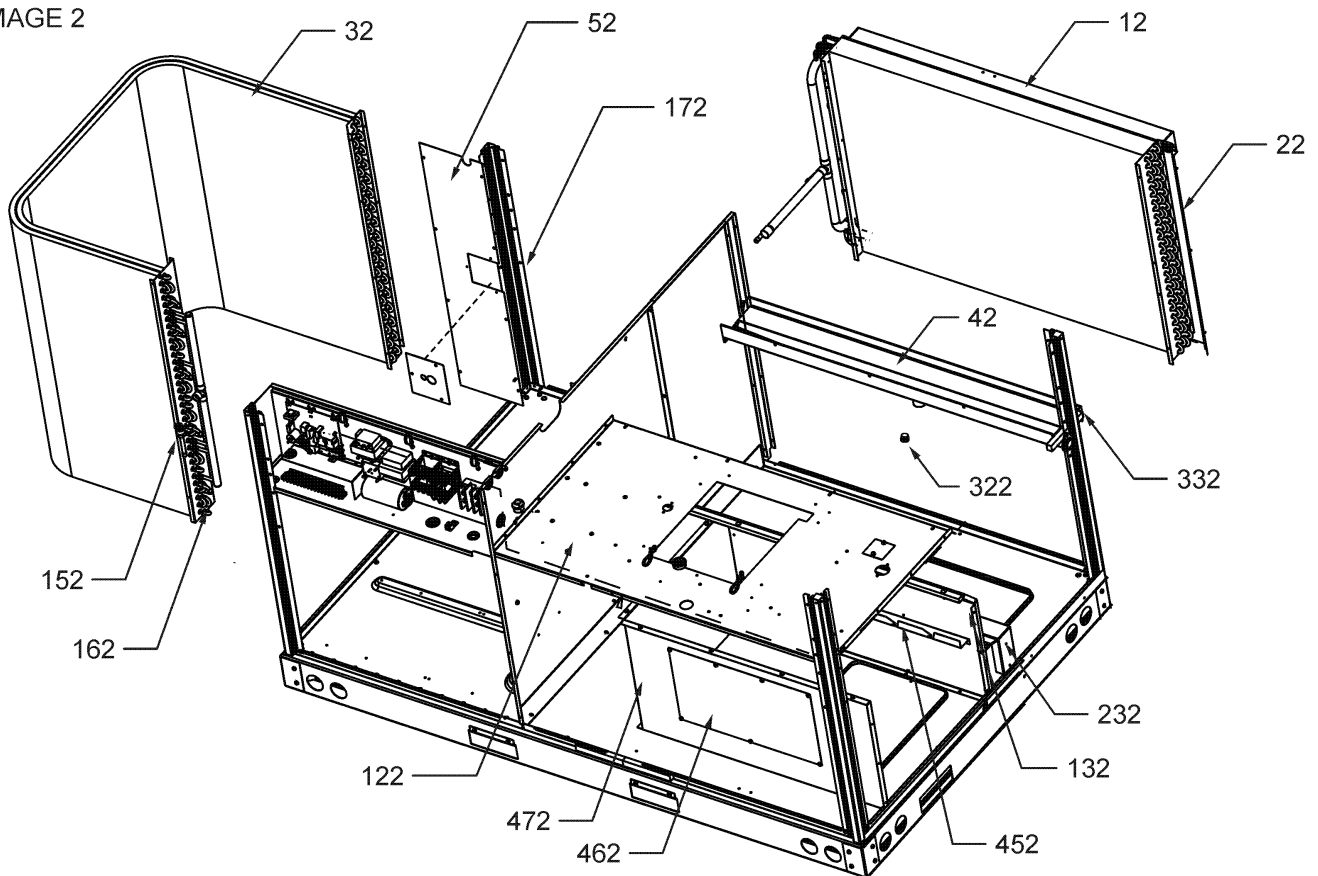


IMAGE 2



# Top and Partition Assy

Ref. Part No: No:	Description:	Ref. Part No: No:	Description:
-------------------	--------------	-------------------	--------------

**Image 1:**

11	0121L00235DG	TOP PAINTED
21	B1086765	FAN BLADE, TYPE 3
31	0131M00430	MOTOR, 1/3 HP, 1SP, 6PL
41	0152G00003	FAN GRILL
51	0161L00000	VENTURI RING 22
61	0163M00004	SCREW, #10X3/4", BLK
71	0163M00006P	NUT, ACORN 5/16 HEX BLACK
81	0163M00005P	WASHER, BLACK (.50 OD .218ID)
91	17788000083F	CONDUIT 8.25" PVC

**Image 2:**

12	0202L00151	EVAPORATOR COIL TUBING ASSY
22	0121L00345	BLOCKOFF-EVAPORATOR
32	0201L00286	CONDENSER COIL ASSY
42	0161L00005	DRAIN PAN EVAPORATOR
52	0121L00348	BLOCKOFF-CONDENSER
122	0121L01442	DECK BLOWER
132	0121L00243	DECK SIDE CHANNEL
152	0151M00050	VALVE, NXT
162	0130M00101	CONTROL,DEFROST
172	0121L00349	ANGLE-CONDENSER MOUNTING
232	0121L00238	DRAIN PAN SUPPORT
322	0163L00071	DRAIN PLUG
332	0154L00009	DRAIN PAN GASKET
452	0121L00288	RETAINER-ELECTRIC HEAT
462	0121L00144	COVER-ELECTRIC HEAT
472	0121L00256	PANEL-ELECTRIC HEAT
NS	0121L00939	PLATE-CONDENSER BLOCKOFF

**Expanded Model Nomenclature**

M1 - GPH1660M41AA

# Compressor and Tubing Assy

IMAGE 1

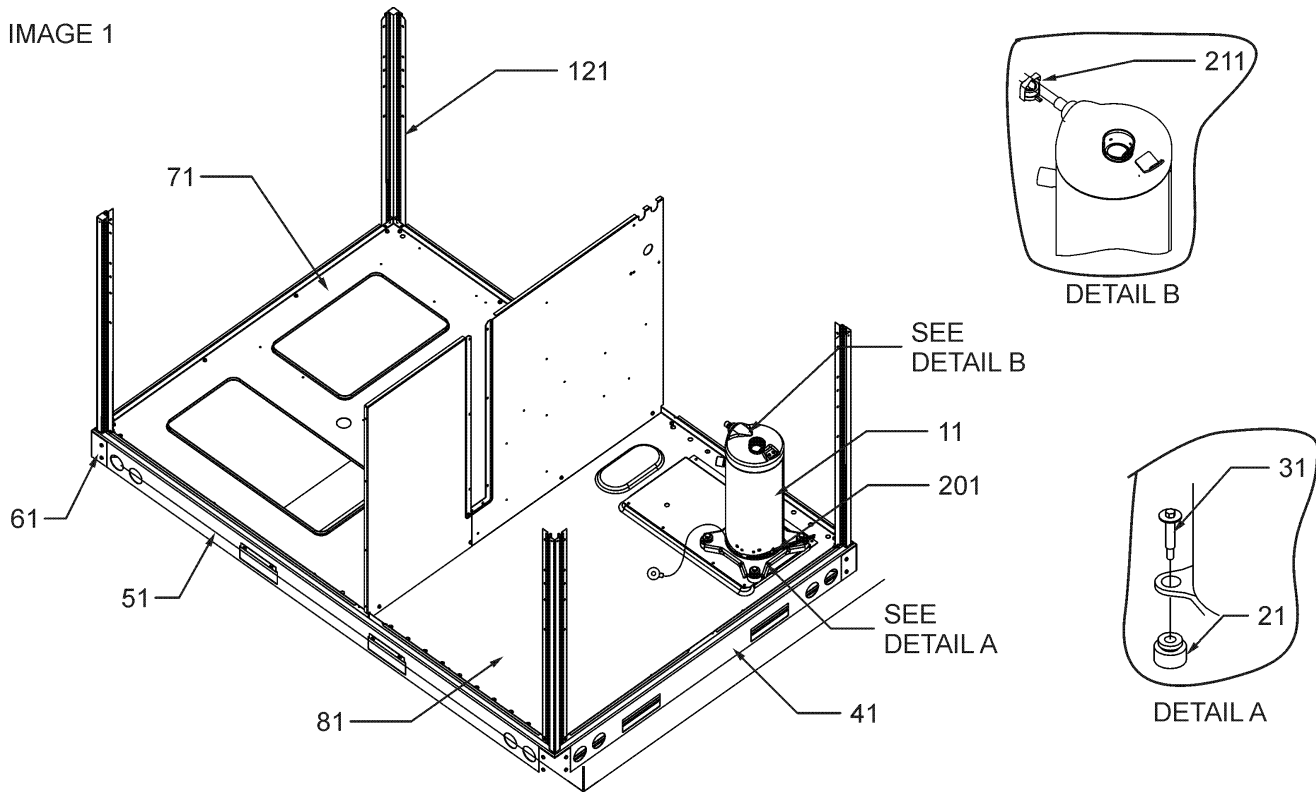
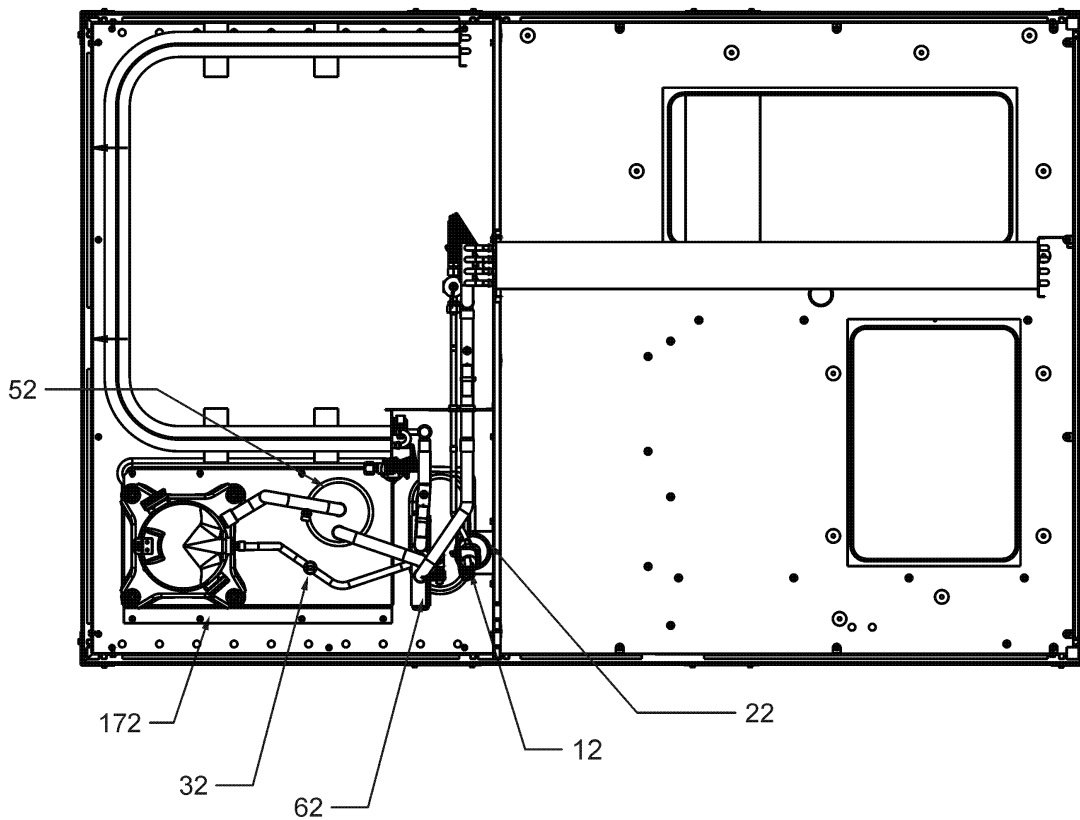


IMAGE 2



# Compressor and Tubing Assy

Ref. Part No: No:	Description:	Ref. Part No: No:	Description:
-------------------	--------------	-------------------	--------------

---

**Image 1:**

11	ZPS49K5EPFV130	COMP, 49100,208/230/60/1
21	B1339533	GROMMET, COMPRESSOR
31	M0221641	TF SHOULDER SCREW
41	0121L00245	RAIL-END
51	0121L00244RF	RAIL-SIDE
61	0121G00301	BRACKET-RAIL CORNERS
71	0121L01307	BASE PAN-OUTDOOR
81	0121L00943	BASE PAN-INDOOR
121	0121L01201RFDG	RF, PNT, POST-CORNER
201	0130L00017	CRANKCASE HEATER 70W 240V
211	0130M00106	DISC THERMOSTAT CRNKCS HTR SW
NS	0121L00055	BRACKET-FORK BOARD
NS	0141L00003X	FORK BOARD
NS	0164L00009	GASKET-RUBBER, CORNER POST
NS	0159L00027	HARNESS-COMPR SCROLL

**Image 2:**

12	0130M00075	LOW PRESSURE SWITCH
22	20485201	BI-FLOW FILTER DRIER
32	0130M00074	HIGH PRESSURE SWITCH
52	B1226207	ACCUMULATOR
62	0151R00071	REVERSING VALVE
172	0121L01308	MOUNTING PLATE-COMPRESSOR
NS	B1373315	ACCESS FITTING
NS	0163M00175	CAP WITH O-RING
NS	B1225022	SOLENOID COIL

**Expanded Model Nomenclature**

M1 - GPH1660M41AA

# Blower and Control Box Assy

IMAGE 1

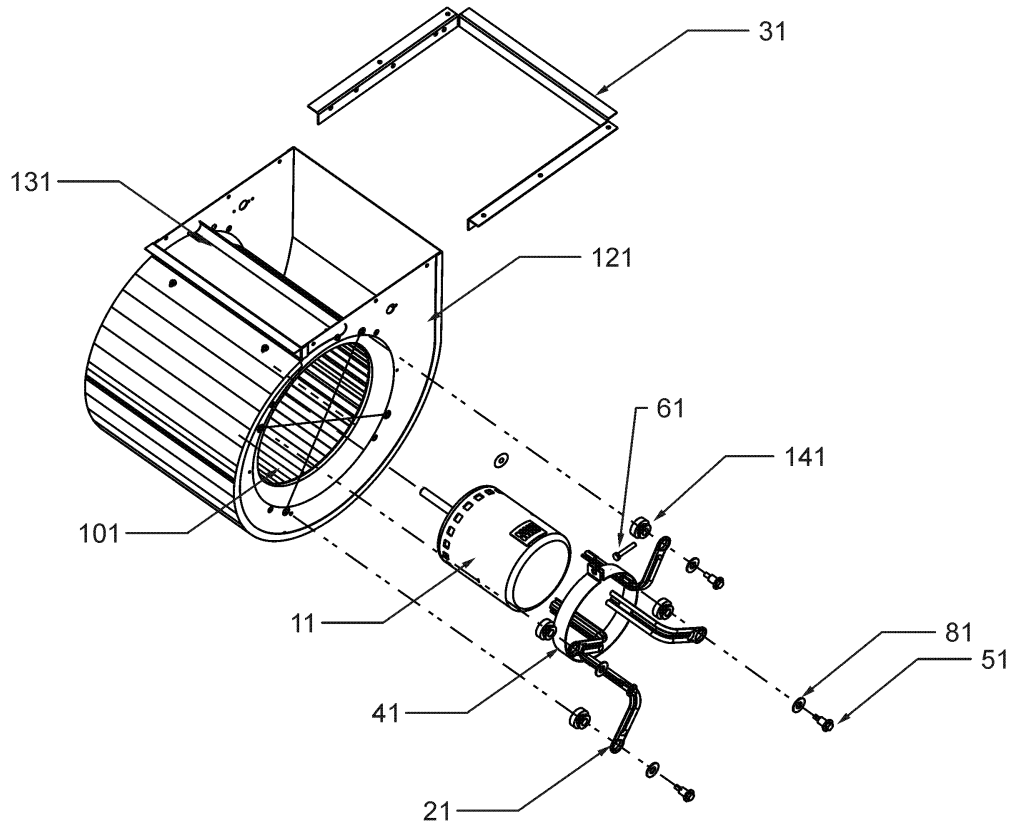
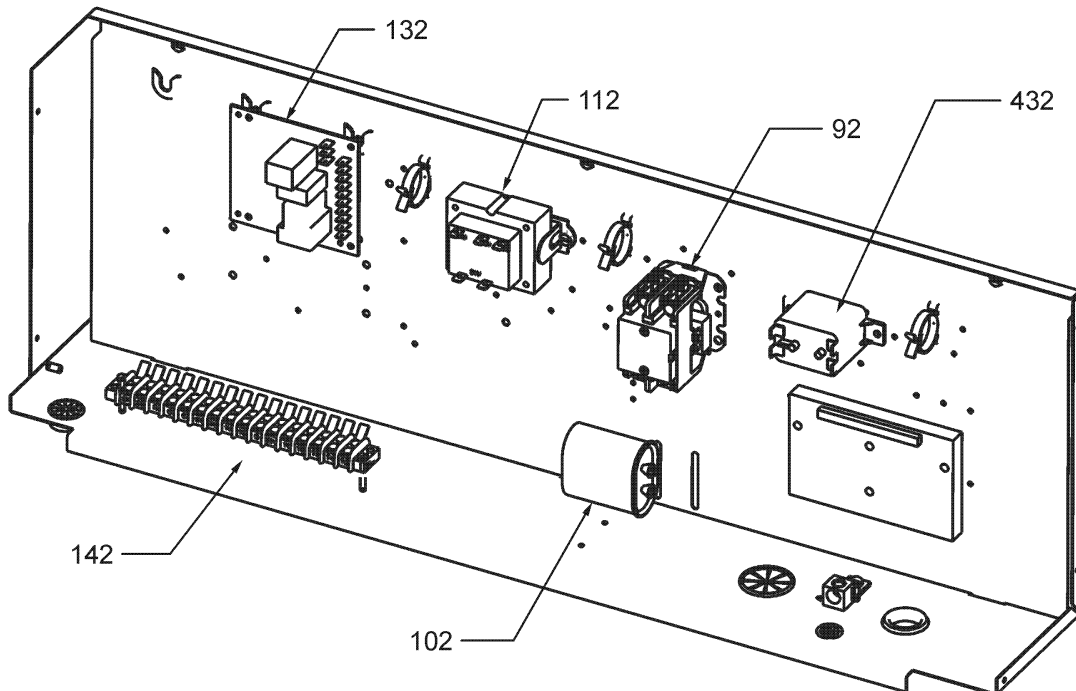


IMAGE 2



# Blower and Control Box Assy

Ref. Part No: No:	Description:	Ref. Part No: No:	Description:
-------------------	--------------	-------------------	--------------

**Image 1:**

11	0131M00521	MOTOR-1HP PROGRAMMED SELECTECH
21	10441501	MOTOR MOUNT ARM
31	0121L00281	ANGLE- BLOWER MOUNT
41	10441601	MOTOR MOUNT BAND
51	M0221461	SCREW-TC
61	M0267144	MACHINE SCREW
81	M0274008	WASHER-FLAT
101	B1368000	BLOWER WHEEL (11X10))
121	11185811	HSG WELD-11X10 FUR
131	C6121807	CUTOFF CO PKG
141	A4002702	GROMMET
NS	M0282015	NUT-KEPS

**Image 2:**

92	CONT2P040024V	CONTACTOR 40 AMP, 2P, 24V
102	CAP100400440CT	CAP, 10/40 MFD, 440V/ DUAL RD
112	0130M00138	TRANSFORMER, 208/230, 24V
132	PCBDM133	PCB, DEFROST CONTROL
142	0130M00038	TERMINAL BOARD
432	0130M00242	RELAY, 24V
NS	0159G00001	CABLE, COMPR SOL
NS	0259L00411	HARNESS, ECONOMIZER
NS	0130M00127	MOTOR POWER HARNESS
NS	0259L00443	WIRE HARNESS
NS	0259L00058	WIRING HARNESS
NS	0259L00070	WIRING HARNESS
NS	0259L00073	WIRING HARNESS
NS	0130M00126	X-13 LOW VOLTAGE WIRE HARNESS

**Expanded Model Nomenclature**

M1 - GPH1660M41AA