

## GPH16 Horizontal Package Heat Pump

GPH1636H41BA

GPH1642H41BA



This manual is to be used by qualified technicians only.

This manual replaces RP-G3300.

© 2017 - 2018 Goodman Manufacturing Company, L.P. ♦ 5151 San Felipe St, Suite 500 ♦ Houston, TX 77056

# Important Information

---

## Index

Functional Parts List .....	3
Illustration and Parts .....	4 - 9

*Views shown are for parts illustrations only, not servicing procedures.*

### Text Codes:

AR - As Required

NA - Not Available

NS - Not Shown

00000000 - See Note

QTY - Quantity Example (QTY 3) (If Quantity not shown, Quantity = 1)

M - Model Example (M1) (If M Code not shown, then part is used on all Models)

### Expanded Model Nomenclature:

Example M1 - Model#1 M2 - Model#2 M3 - Model#3
---

Goodman Manufacturing Company, L.P. is not responsible for personal injury or property damage resulting from improper service. Review all service information before beginning repairs.

Warranty service must be performed by an authorized technician, using authorized factory parts. If service is required after the warranty expires, Goodman Manufacturing Company, L.P. also recommends contacting an authorized technician and using authorized factory parts.

Goodman Manufacturing Company, L.P. reserves the right to discontinue, or change at any time, specifications or designs without notice or without incurring obligations.

For assistance within the U.S.A. contact:  
Homeowner Support  
Goodman Manufacturing Company, L.P.  
19001 Kermier Road  
Waller, Texas 77484  
877-254-4729-Telephone  
713-863-2382-Facsimile

For assistance outside the U.S.A. contact:  
International Division  
Goodman Manufacturing Company, L.P.  
19001 Kermier Road  
Waller, Texas 77484  
713-861-2500-Telephone  
713-863-2382-Facsimile

# Functional Parts

## Part

## No: Description:

---

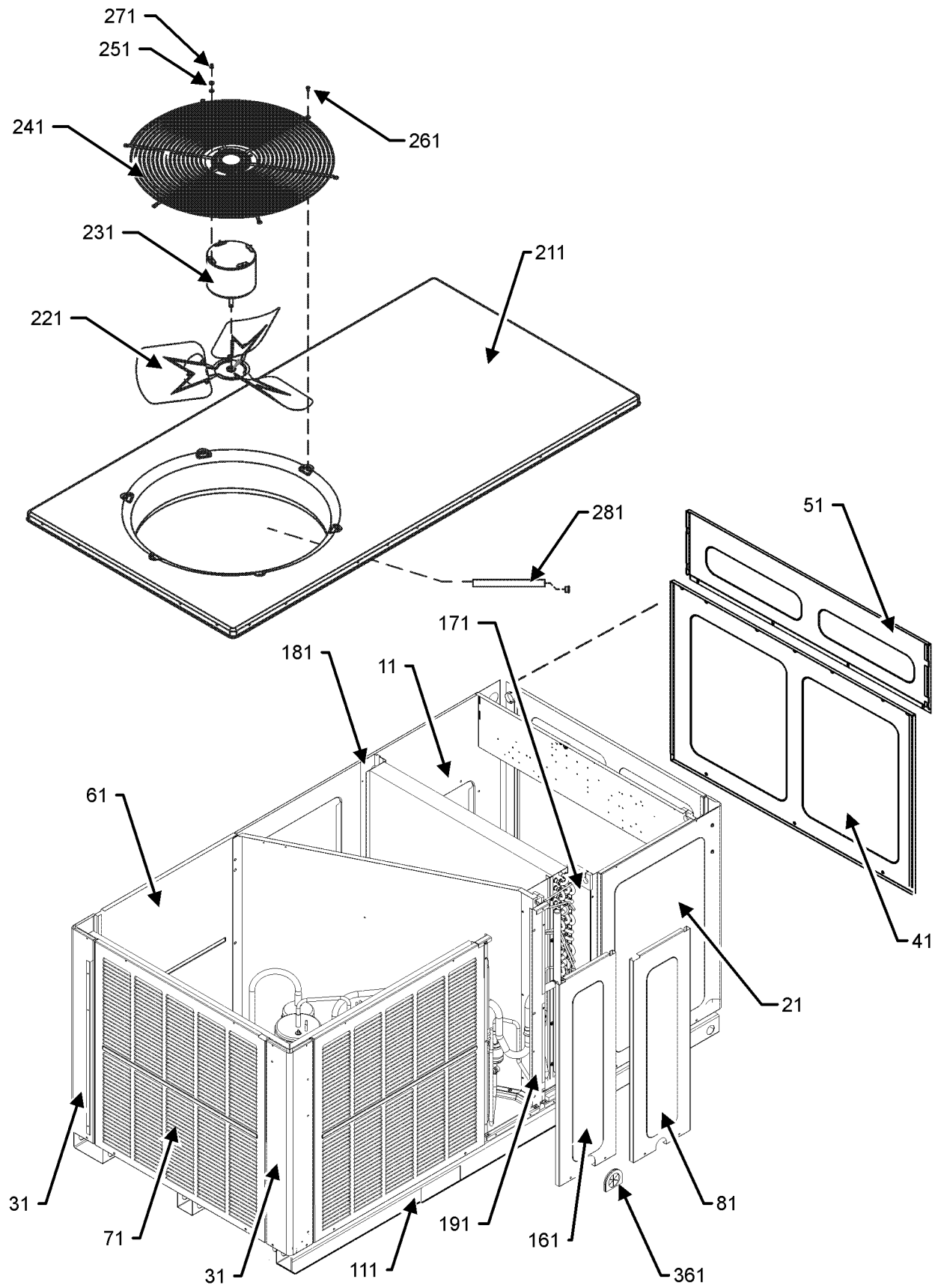
B1368016	BLOWER WHEEL 10 X 8
CAP050450440CT	CAPACITOR 5/45/440V/DUAL RD
ZP29K6EPFV130	COMP, 29,000,208/230/60/1 (M1)
ZPS35K5EPFV130	COMPRESSOR, COPELAND (M2)
CONT1P025024V	CONT, 1 POLE, 25 AMP, 24 VAC (M1)
CONT1P030024V	CONT, 1 POLE, 30 AMP, 24 VAC (M2)
0130M00099	CONTROL, DEFROST
0130M00074	CUT-OUT SWITCH, HIGH PRESSURE
PCBDM133	DEFROST CONTROL BOARD
0130M00075	LOW PRESSURE SWITCH
0131M00847	MOTOR, 1/4 HP, 1 SP, 6 PL (M2)
0131M00836	MOTOR, 1/4HP,1SP,8PL,AL (M1)
0131M00832	PROGRAMMED MOTOR (M2)
0131M00596	PROGRAMMED MOTOR (M1)
0130M00242	RELAY, 24V (M2)
0151R00071	REVERSING VALVE
0130M00138	TRANSFORMER 208/230, 24V
0151M00078	VALVE-TXV R410A (M2)

### Expanded Model Nomenclature

M1 - GPH1636H41BA

M2 - GPH1642H41BA

# Top and Cabinet Assembly



# Top and Cabinet Assembly

Ref. Part No: No:	Description:	Ref. Part No: No:	Description:
-------------------	--------------	-------------------	--------------

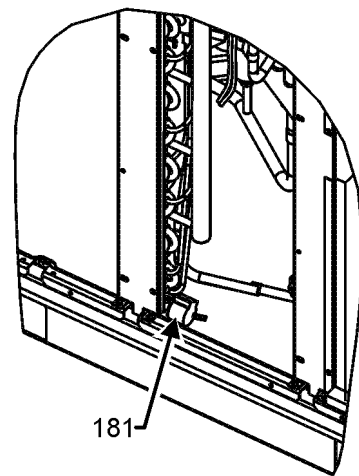
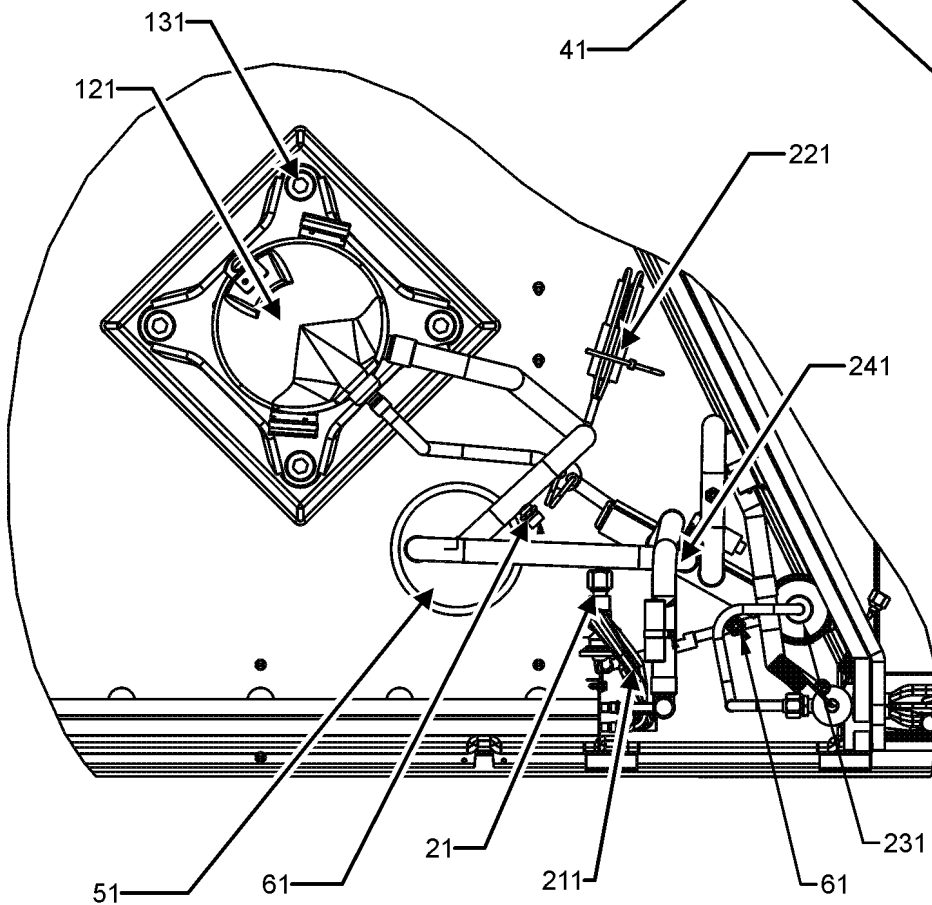
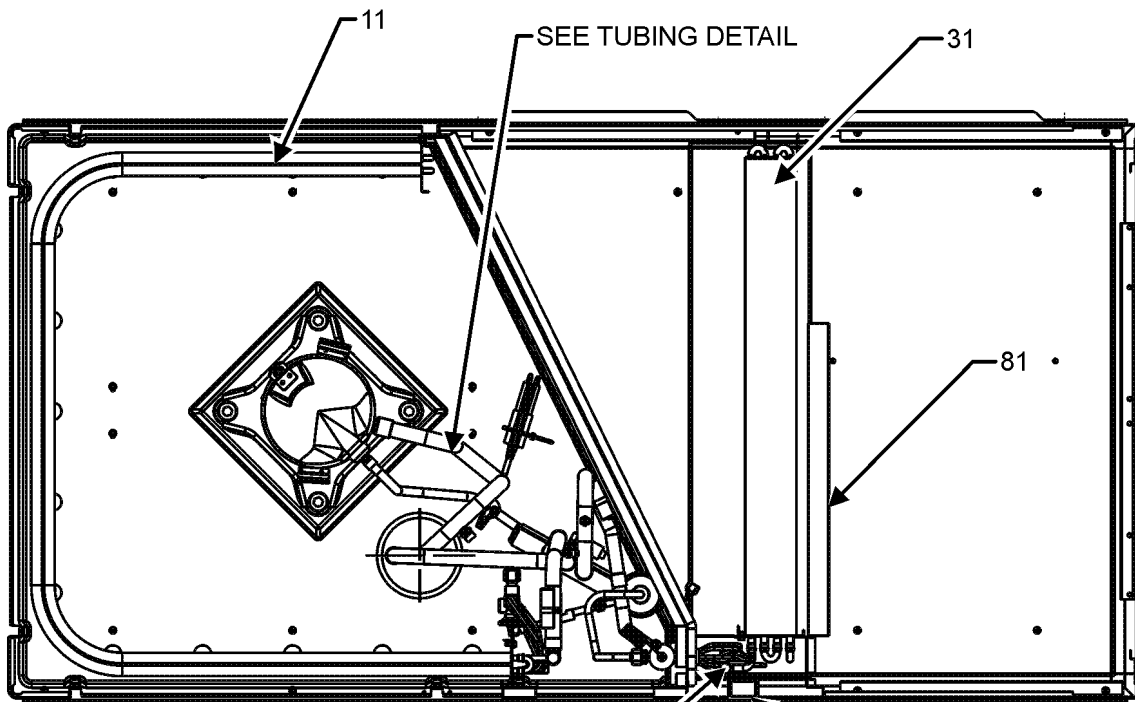
**Image 1:**

11	0121G00668PDG	PNL, DUCT, 32.5"
21	0121G00665DG	PNL, CORNER, 32.5"
31	0121G00048PDG	POST, COR, 32.5" (QTY 2)
41	0121G00272DG	EXTERNAL BLOWER PANEL 32.5"
51	0121G00276DG	EXTERNAL CONTROL BOX PANEL
61	0121G00070PDG	LOUVERED PANEL 4 BANK 32.5"
71	0121G00073PDG	LOUVERED PANEL 5 BANK 32.5" (QTY 2)
81	0121G00066PDG	EVAP PANEL 8.75" X 32.5"
111	0121G00325	RAIL-BASE PAN SUPPORT
161	0121G00712DG	PNT, COMPRESSOR PANEL
171	0121G00640	PL, FRONT EVAP, BLK-OFF 32"
181	0121G00598	PANEL, REAR EVAP BLOCKOFF
191	0121G00079P	POST, 32.5" (QTY 2)
211	0121G00274DG	TOP PANEL PANINTED
221	0150G00004	BLADE, FAN 24 OA SERIES (M2)
221	B1086765	FAN BLADE, TYPE 3 (M1)
231	0131M00847	MOTOR, 1/4 HP, 1 SP, 6 PL (M2)
231	0131M00836	MOTOR, 1/4HP,1SP,8PL,AL (M1)
241	0152G00003	GRILLE-FAN
251	0163M00005P	WASHER, BLACK (.50 OD .218ID) (QTY 4)
261	M0221817	SCREW-SM (QTY 6)
271	0163M00006P	NUT, ACORN 5/16 HEX BLACK (QTY 4)
281	17788000083F	CONDUIT 8.25" PVC
361	0164G00005	GROMMET-HORSESHOE 1.675
NS	0121G00046P	BASE PAN
NS	M0272803	WASHER-LOCK

**Expanded Model Nomenclature**

M1 - GPH1636H41BA
M2 - GPH1642H41BA

# Tubing Assembly



CONTROL DEFROST DETAIL

TUBING DETAIL

# Tubing Assembly

<b>Ref. Part No: No:</b>	<b>Description:</b>	<b>Ref. Part No: No:</b>	<b>Description:</b>
<i>Image 1:</i>			
11	0201G00376		COND COIL ASSY (M1)
11	0201G00429		COND COIL ASSY (M2)
21	0151M00078		VALVE-TXV R410A (M2)
31	0202G00651		EVAP COIL ASSY
41	0151M00078		VALVE-TXV R410A
51	B1226207		ACCUMULATOR .875
61	B1373315		ACCESS FITTING (QTY 2)
71	0161G00000P		DRIP PAN
81	0128G00052		EVAP DRIP SHIELD
121	ZP29K6EPFV130		COMP, 29,000,208/230/60/1 (M1)
121	ZPS35K5EPFV130		COMPRESSOR, COPELAND (M2)
131	M0221641		TF SHOULDER SCREW (QTY 4)
181	0130M00099		CONTROL, DEFROST
211	0130M00074		CUT-OUT SWITCH, HIGH PRESSURE
221	0130M00075		LOW PRESSURE SWITCH
231	20485201		BI-FLOW FILTER DRIER
241	0151R00071		REVERSING VALVE
NS	0163M00175		CAP WITH O-RING (QTY 2)
NS	B1339533		COMPRESSOR GROMMET (QTY 4)
NS	0159G00004		COMPRESSOR SCROLL HARNESS
NS	0159G00010		COMPRESSOR SOLENOID CABLE (M2)
NS	B1225022		SOLENOID COIL

## Expanded Model Nomenclature

M1 - GPH1636H41BA

M2 - GPH1642H41BA

# Blower and Control Panel Assembly

IMAGE 1

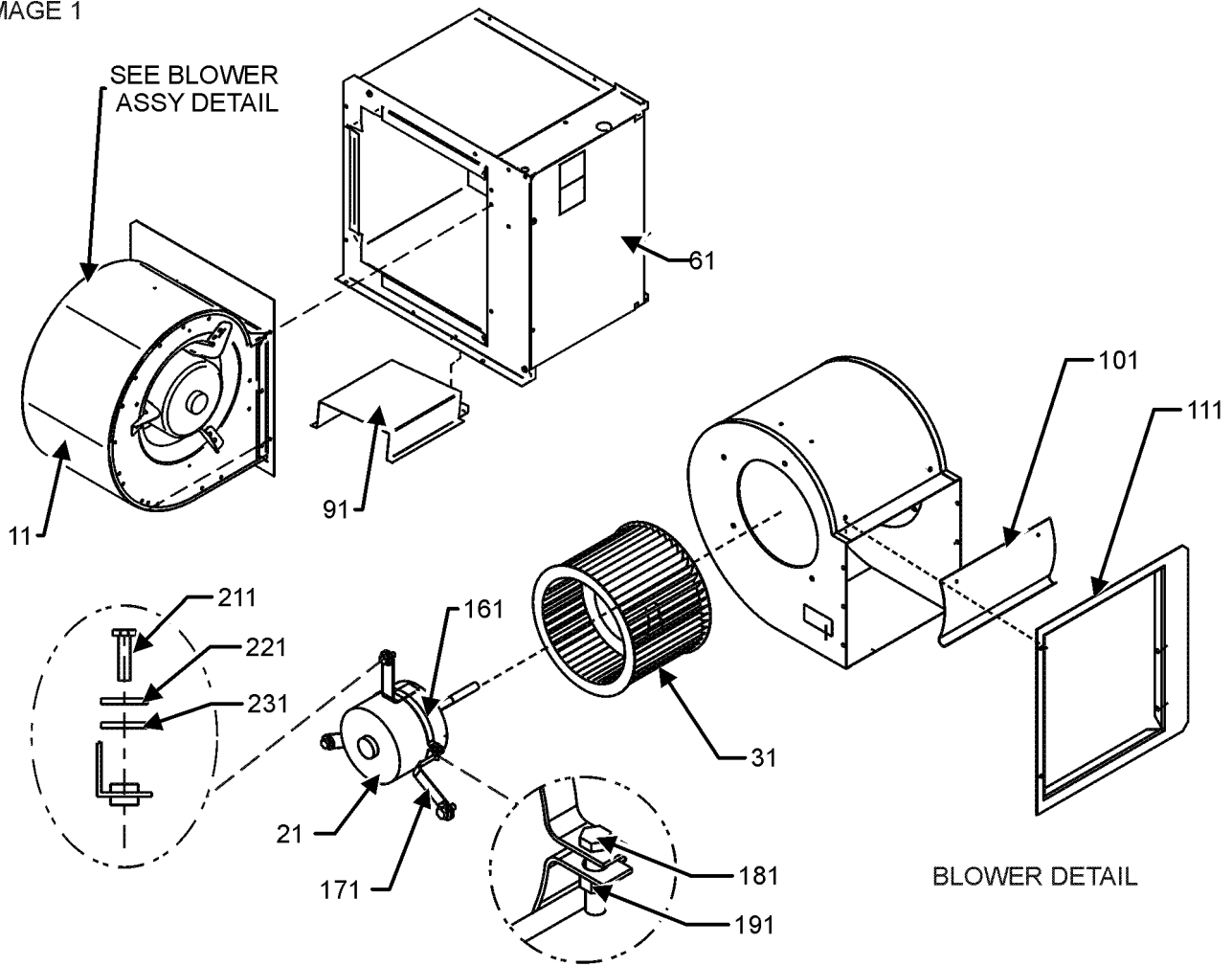
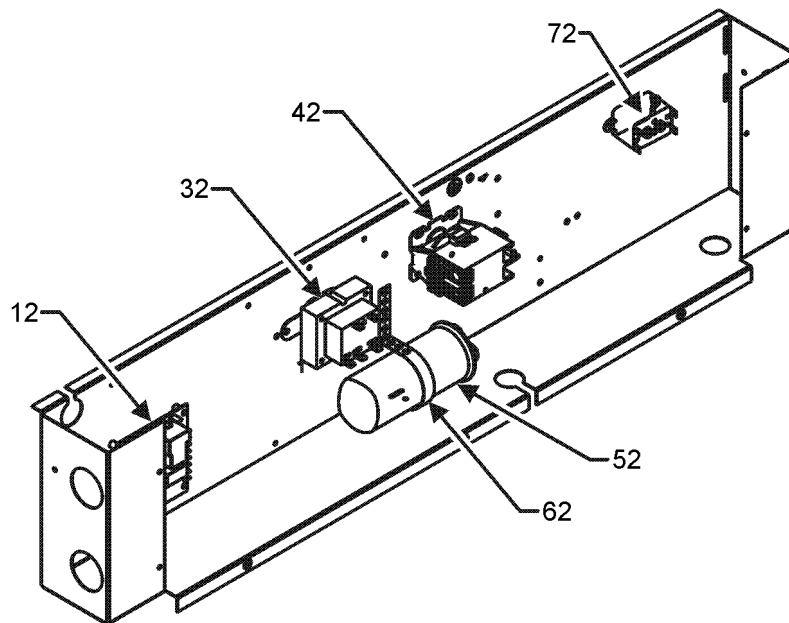


IMAGE 2



# Blower and Control Panel Assembly

Ref. Part No: No:	Description:	Ref. Part No: No:	Description:
-------------------	--------------	-------------------	--------------

**Image 1:**

11	10324248	HSG WELD- 10X8 BWR
21	0131M00596	PROGRAMMED MOTOR (M1)
21	0131M00832	PROGRAMMED MOTOR (M2)
31	B1368016	BLOWER WHEEL 10 X 8
61	0121G00726	PL, HK COVER
91	0121G00040P	BLOWER SUPPORT
101	C6121810	BLOWER CUT-OFF
111	0121G00035P	MT,BLO,10X8
161	0121M00038	MOTOR MOUNT BAND
171	B1376853	MOTOR MOUNT ARM (QTY 3)
181	B1393323	MACHINE SCREW HWH 1/4-20 X 1-1/2 BZ
191	B1393800	LOCKNUT, NYLON, INSERT 1/4, 20
211	M0250565	TC SCREW 1.25" (QTY 3)
221	B1392820	WASHER, SPLT LOCK 1/4 BZ (QTY 3)
231	B1392918	WASHER, FLAT 1/4 ID X 1 OD (QTY 3)

**Image 2:**

12	PCBDM133	DEFROST CONTROL BOARD
32	0130M00138	TRANSFORMER 208/230, 24V
42	CONT1P025024V	CONT, 1 POLE, 25 AMP, 24 VAC (M1)
42	CONT1P030024V	CONT, 1 POLE, 30 AMP, 24 VAC (M2)
52	CAP050450440CT	CAPACITOR 5/45/440V/DUAL RD
62	20520901	CAPACITOR STRAP
72	0130M00242	RELAY, 24V (M2)

**Expanded Model Nomenclature**

M1 - GPH1636H41BA

M2 - GPH1642H41BA