

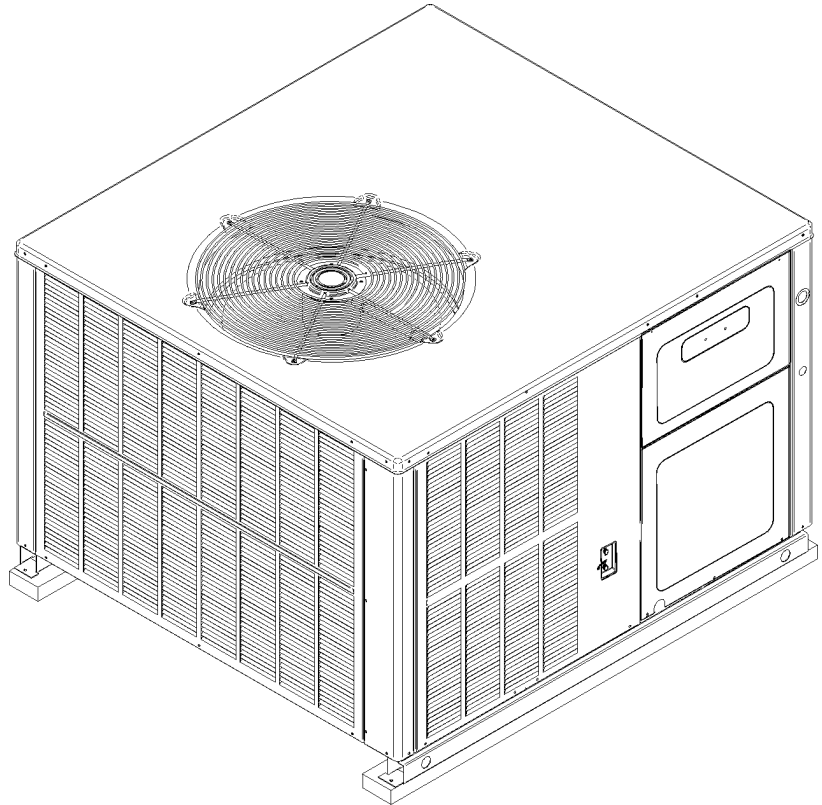


# REPAIR PARTS

---

## GPH14 Multiposition Residential Package Heat Pump [EXPORT]

GPH1460M4EAA



This manual is to be used by qualified technicians only.

© 2016 Goodman Manufacturing Company, L.P. ♦ 5151 San Felipe St., Suite 500 ♦ Houston, TX 77056

# Important Information

---

## Index

Functional Parts List .....	3
Illustration and Parts .....	4 - 11

*Views shown are for parts illustrations only, not servicing procedures*

### Text Codes:

AR - As Required

NA - Not Available

NS - Not Shown

00000000 - See Note

QTY - Quantity Example (QTY 3) (If Quantity not shown, Quantity = 1)

M - Model Example (M1) (If M Code not shown, then part is used on all Models)

### Expanded Model Nomenclature:

Example M1 - Model#1 M2 - Model#2 M3 - Model#3
---

Goodman Manufacturing Company, L.P. is not responsible for personal injury or property damage resulting from improper service. Review all service information before beginning repairs.

Warranty service must be performed by an authorized technician, using authorized factory parts. If service is required after the warranty expires, Goodman Manufacturing Company, L.P. also recommends contacting an authorized technician and using authorized factory parts.

Goodman Manufacturing Company, L.P. reserves the right to discontinue, or change at any time, specifications or designs without notice or without incurring obligations.

For assistance within the U.S.A. contact:  
Homeowner Support  
Goodman Manufacturing Company, L.P.  
19001 Kermier Road  
Waller, Texas 77484  
877-254-4729-Telephone  
713-863-2382-Facsimile

For assistance outside the U.S.A. contact:  
International Division  
Goodman Manufacturing Company, L.P.  
19001 Kermier Road  
Waller, Texas 77484  
713-861-2500-Telephone  
713-863-2382-Facsimile

# Functional Parts

## Part

## No: Description:

---

D6723303	BLOWER WHEEL
CAP075000370LA	CAPACITOR 7.5/370V
ZP61KCETFD130	COMPRESSOR 61500, 460/60/3
0131M00642	COND MOTOR 1/3 HP, 460V, 60 CYCLE
CONT2P040024V	CONTACTOR 40 AMP, 2P, 24V
CONT3P040024V	CONTACTOR 40 AMP, 3P, 24V
0130M00197	CONTROL, DEFROST
0130L00018	CRANK CASE HEATER-70W, 480V
0130M00074	CUT-OUT SWITCH, HIGH PRESSURE
0130M00075	CUT-OUT SWITCH, LOW PRESSURE
PCBDM133	DEFROST CONTROL BOARD
10625733	FAN BLADE 22" ALUM CCW
0131M00759	PROGRAMMED MOTOR
0151R00071	REVERSING VALVE
B1225022	SOLENOID COIL
0130M00199	SWITCH, CRANK CASE HEATER
0130M00081	TRANSFORMER, 380/415V-24V,75VA

### Expanded Model Nomenclature

M1 - GPH1460M4EAA
-------------------

# Cabinet Assembly

Image 1

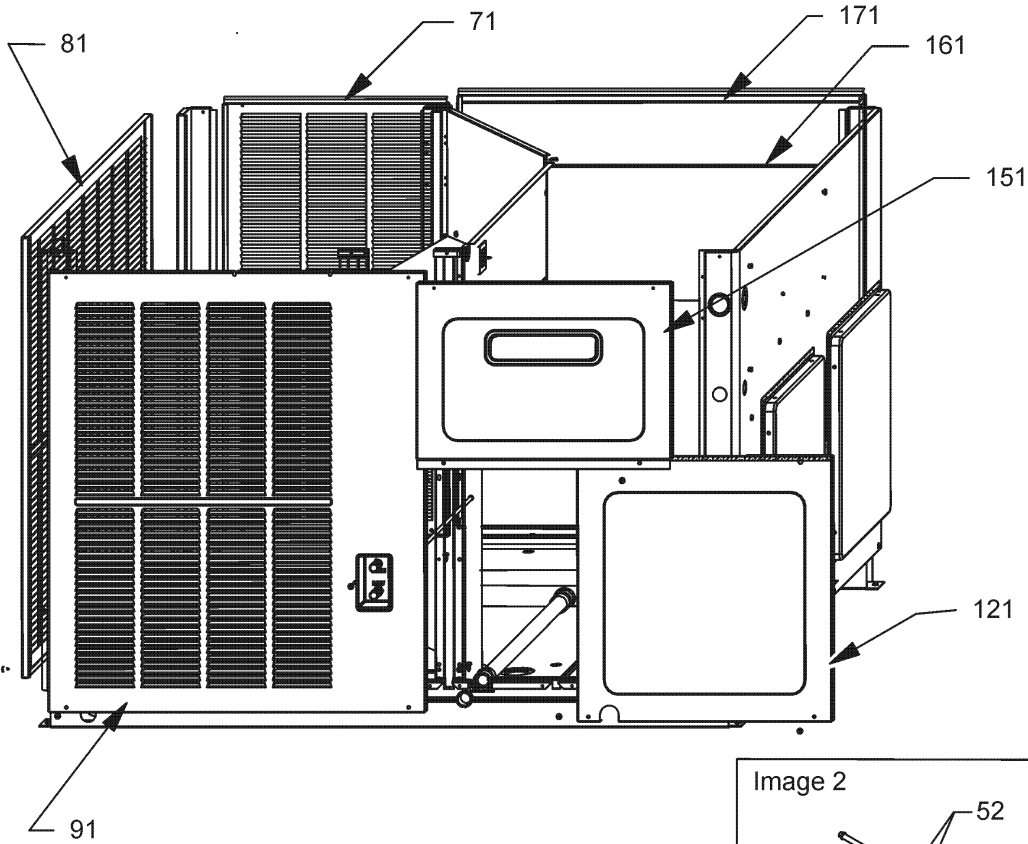
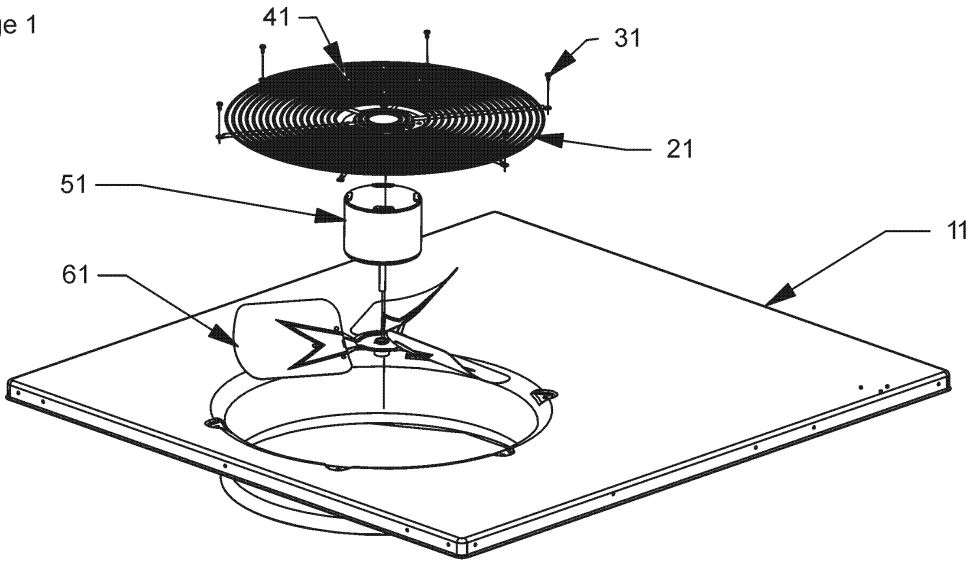
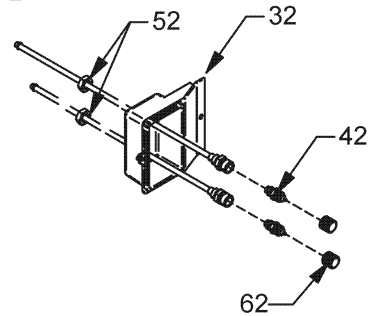


Image 2



# Cabinet Assembly

Ref. Part No: No:	Description:	Ref. Part No: No:	Description:
-------------------	--------------	-------------------	--------------

---

**Image 1:**

11	0121G00156NG	PNL, TOP, PNT
21	0152G00000	FAN GRILLE, RAISED
31	M0221817	SMALL SCREW (QTY 2)
41	0163M00006P	ACORN NUT 5/16 HEX BLACK (QTY 4)
51	0131M00642	COND MOTOR 1/3 HP, 460V, 60 CYCLE
61	10625733	FAN BLADE 22" ALUM CCW
71	20467702NG	PANEL-COND SIDE 40, PNT
81	20464402NG	PANEL-COND LOUVERED 40, PNT
91	0121G00224NG	DOOR, COMP, CNVRT 40" PNT
121	0121G00168NG	PNL, BLO, CNVRT, 40" PNT
151	0121G00213NG	PNL, CB, CNVRT,PNT
161	0121G00591	BLK-OFF, EVAP, TOP, CNVRT
171	20464806PDG	BLOWER DOOR 40"
NS	0121G00235	FAN BAFFLE
NS	17788000083F	PVC CONDUIT 8.25"

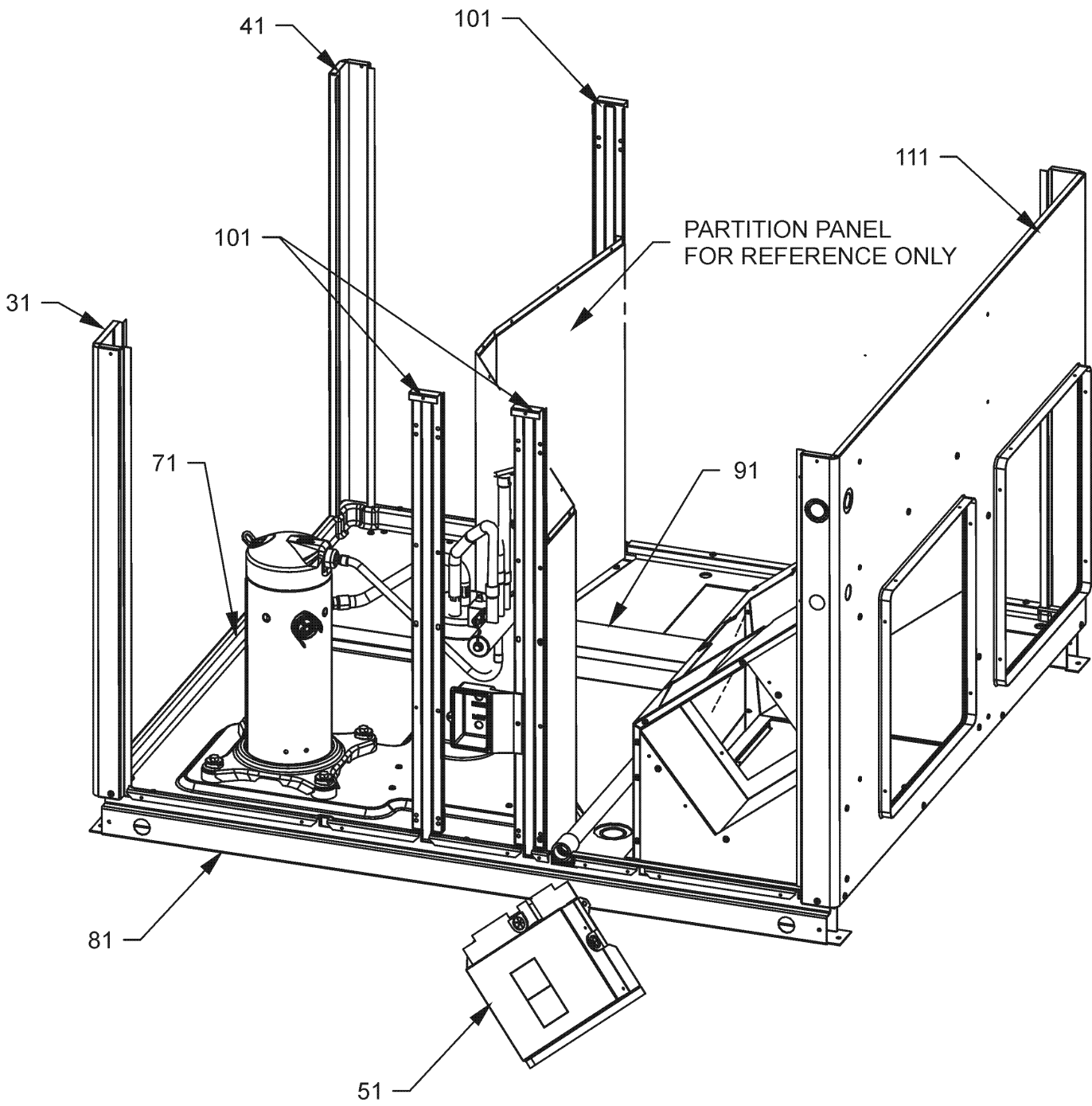
**Image 2:**

32	0161G00008	ACCESS-FITTING BOX
42	B1373315	ACCESS FITTING (QTY 2)
52	0163G00000P	FASTEST FITTING NUT (QTY 2)
62	0163M00175	CAP WITH O-RING (QTY 2)

**Expanded Model Nomenclature**

M1 - GPH1460M4EAA

# Panels and Supports



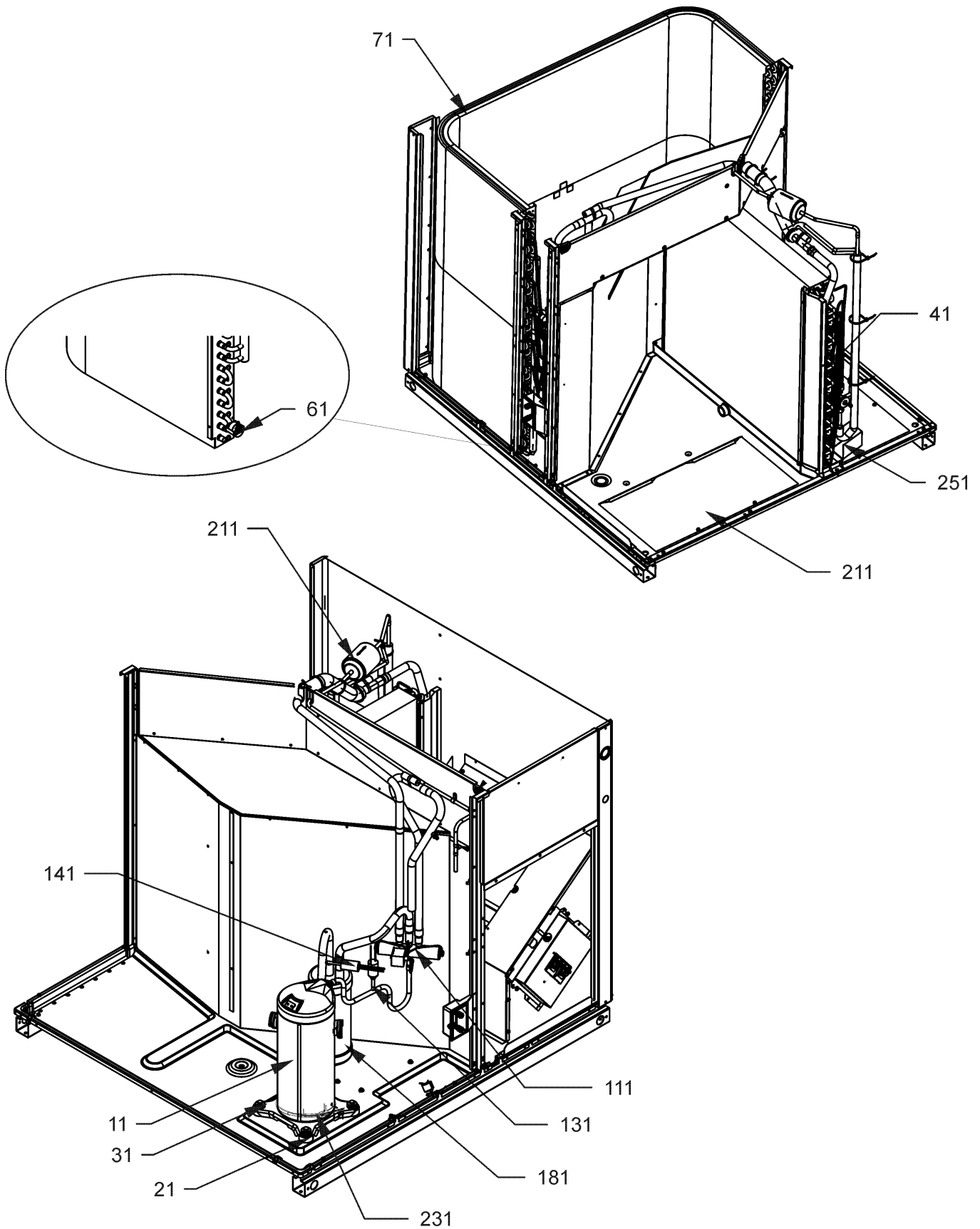
# Panels and Supports

<b>Ref. Part No: No:</b>	<b>Description:</b>	<b>Ref. Part No: No:</b>	<b>Description:</b>
<i>Image 1:</i>			
31	20464202NG		POST-CRNR COMP END 40, PNT
41	20464302NG		POST-CRNR HPIN END 40, PNT
51	0121G00725		COVER, HK (QTY 2)
71	0121G00290		BASE PAN RAIL (QTY 2)
81	0121G00444		BASEPAN, PACKAGE
91	0161G00003		PLASTIC DRIP PAN
101	0121G00615		POST-SUPPORT, SIDE 40 (QTY 2)
111	0121G00672NG		PNL, DUCT, CNVRT, 40" PNT

## Expanded Model Nomenclature

M1 - GPH1460M4EAA

# Tubing & Coil Assemblies



# Tubing & Coil Assemblies

Ref. Part No: No:	Description:	Ref. Part No: No:	Description:
-------------------	--------------	-------------------	--------------

**Image 1:**

11	ZP61KCETFD130	COMPRESSOR 61500, 460/60/3
21	B1339533	COMPRESSOR GROMMET (QTY 4)
31	M0221641	TF SHOULDER SCREW (QTY 4)
41	0202G00720	COIL TUBING ASSY
61	0130M00197	CONTROL, DEFROST
71	0201G00396	COIL SLAB CIRCUITED
111	0151R00071	REVERSING VALVE
131	0130M00074	CUT-OUT SWITCH, HIGH PRESSURE
141	0130M00075	CUT-OUT SWITCH, LOW PRESSURE
181	B1226207	ACCUMULATOR .875
211	20485201	BI-FLOW FILTER DRIER
231	0130L00018	CRANK CASE HEATER-70W, 480V
241	0121G00148	SINGLE COVER, DOWN DISCHARGE (QTY 2)
251	0121G00509	DRIP SHIELD
NS	0159G00002	COMPRESSOR SCROLL HARNESS
NS	B1488806	COMPRESSOR SOUND BLANKET
NS	B1225022	SOLENOID COIL
NS	0130M00199	SWITCH, CRANK CASE HEATER

**Expanded Model Nomenclature**

M1 - GPH1460M4EAA
-------------------

# Control Panel & Blower Assembly

Image 1

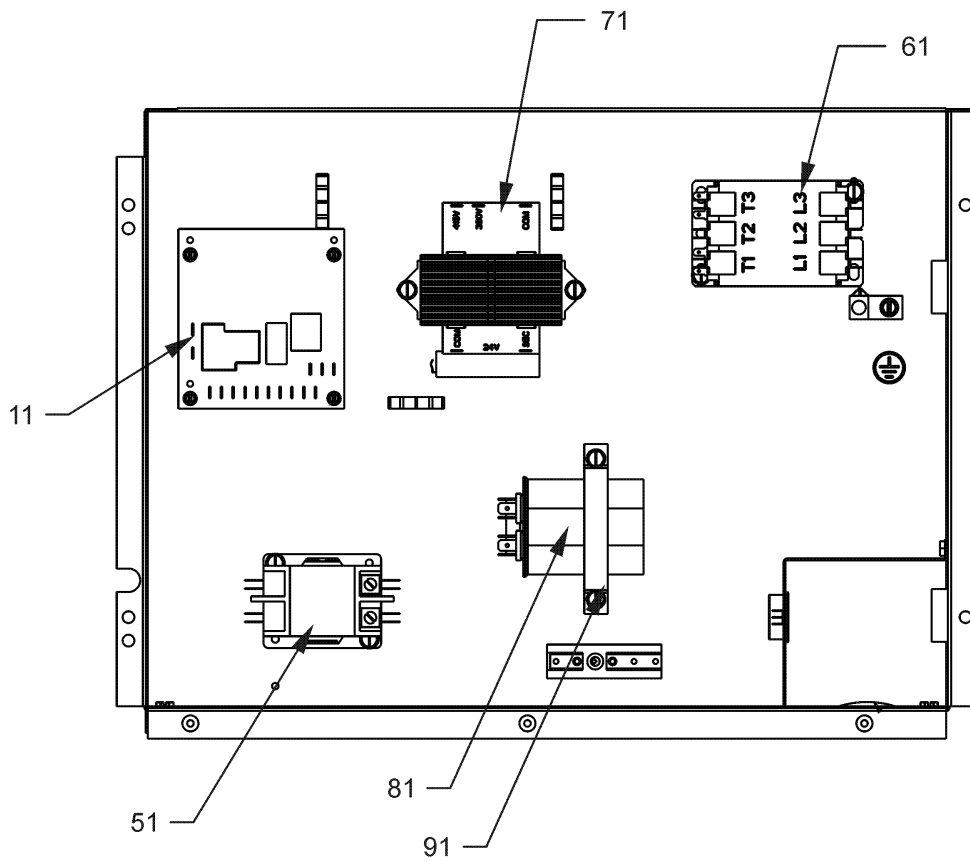
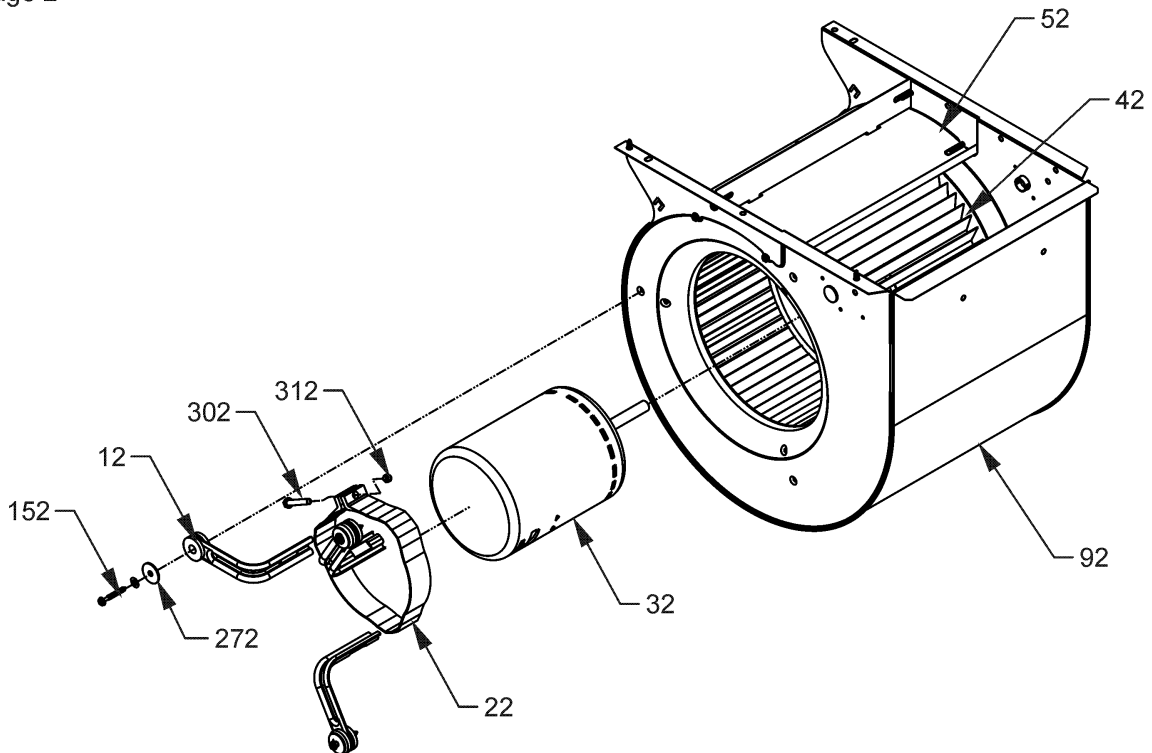


Image 2



# Control Panel & Blower Assembly

## Ref. Part

No: No:

Description:

## Ref. Part

No: No:

Description:

### Image 1:

11	PCBDM133	DEFROST CONTROL BOARD
51	CONT2P040024V	CONTACTOR 40 AMP, 2P, 24V
61	CONT3P040024V	CONTACTOR 40 AMP, 3P, 24V
71	0130M00081	TRANSFORMER, 380/415V-24V,75VA
81	CAP075000370LA	CAPACITOR 7.5/370V
91	20520901	CAPACITOR STRAP
NS	0259G00129	HARNESS, CONTROL

### Image 2:

12	B1376857	MOTOR MOUNT ARM (QTY 3)
22	0121M00038	MOTOR MOUNT BAND
32	0131M00759	PROGRAMMED MOTOR
42	D6723303	BLOWER WHEEL
52	764742	BLOWER BLOCK-OFF
92	0271G00024	BLOWER HOUSING ASSY 10 X 9
152	M0250565	TC SCREW 1.25" (QTY 3)
272	B1392918	WASHER, FLAT 1/4 ID X 1 OD (QTY 3)
302	B1393323	MACHINE SCREW HWH 1/4-20 X 1-1/2 BZ
312	B1393800	LOCKNUT, NYLON, INSERT 1/4, 20
NS	0259G00155	BLOWER HARNESS

### Expanded Model Nomenclature

M1 - GPH1460M4EAA