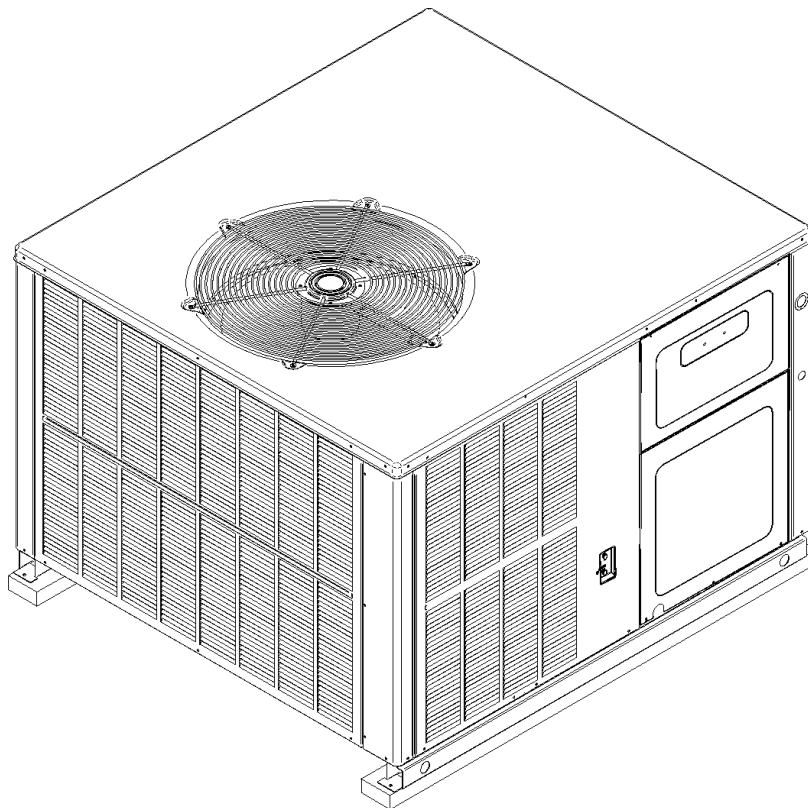


REPAIR PARTS

GPH13 "M" Series Horizontal 3 Phase Package Heat Pumps

GPH1336M23AA
GPH1336M23AB
GPH1336M24AA
GPH1348M23AA
GPH1348M23AB
GPH1348M24AA
GPH1360M23AA
GPH1360M23AB
GPH1360M24AA



This manual is to be used by qualified technicians only.

This manual replaces RP-448C.

© 2007-2009 Goodman Manufacturing Company, L.P. ♦ 5151 San Felipe, Suite 500 ♦ Houston, TX 77056

Important Information

Index

Functional Parts List	3
Illustration and Parts	4 - 11

Views shown are for parts illustrations only, not servicing procedures.

Rev. C: Added model GPH1336M23AB.

Rev. D: Added model GPH1348M23AB.

7/14/08: Changed reversing valve p/n from B1227317S to B1227318S.

Text Codes:

AR - As Required

NA - Not Available

NS - Not Shown

00000000 - See Note

QTY - Quantity Example (QTY 3) (If Quantity not shown, Quantity = 1)

M - Model Example (M1) (If M Code not shown, then part is used on all Models)

Expanded Model Nomenclature:

Example M1 - Model#1 M2 - Model#2 M3 - Model#3

Goodman Manufacturing Company, L.P. is not responsible for personal injury or property damage resulting from improper service. Review all service information before beginning repairs.

Warranty service must be performed by an authorized technician, using authorized factory parts. If service is required after the warranty expires, Goodman Manufacturing Company, L.P. also recommends contacting an authorized technician and using authorized factory parts.

Goodman Manufacturing Company, L.P. reserves the right to discontinue, or change at any time, specifications or designs without notice or without incurring obligations.

For assistance within the U.S.A. contact:
Consumer Affairs Department
Goodman Manufacturing Company, L.P.
7401 Security Way
Houston, Texas 77040
877-254-4729-Telephone
713-863-2382-Facsimile

For assistance outside the U.S.A. contact:
International Division
Goodman Manufacturing Company, L.P.
7401 Security Way
Houston, Texas 77040
713-861-2500-Telephone
713-863-2382-Facsimile

Functional Parts

Part

No: Description:

Part No:	Description:	SPECIAL PARTS	
0130M00025S	24V RELAY (M3, M6, M9)	0259G00056	BLOWER HARNESS (M1, M2)
11119203S	BLOWER MOTOR (M1, M2)	0259G00058	BLOWER HARNESS (M4, M5, M7, M8)
0231K00044	BLOWER MOTOR 1 HP PROGRAMMED X13 (M7, M8, M9)	0259G00052	BLOWER HARNESS (M6, M9)
0131M00075S	BLOWER MOTOR 1/3 HP, 2SP, 460V (M3)	0259L00085	ECONOMIZER HARNESS
0231K00043	BLOWER MOTOR 3/4 HP PROGRAMMED X13 (M4, M5, M6)	B10259251	GOODMAN LABEL
PCBFM131	BOARD, ELECTRONIC BLOWER TIME DELAY RELAY (M1, M2, M3)	IO-312D	INSTALLATION INSTRUCTIONS
CAP100000370VAS	CAPACITOR 10/370V [BLOWER] (M3)	RP-448D	REPAIR PARTS MANUAL
CAP150000370VAS	CAPACITOR 15/370V [BLOWER] (M1, M2)	IO-673C	SUPPLEMENT TO HKR KIT INSTALL INSTRUCTIONS
CAP050000370VAS	CAPACITOR 5/370V [CONTROL BOX]	B1757910	SUPPLEMENTAL INSERT (EBTDR)
ZR32K3TF5930	COMPRESSOR 32600, 208/230/60/3 (M1, M2)	0259G00000P	WIRE HARNESS, ELECTRIC HEAT (M1, M2, M3)
ZR32K3TFD930	COMPRESSOR 32600, 460/60/3 (M3)	0259G00003	WIRE HARNESS, ELECTRIC HEAT (M4, M5, M6, M7, M8, M9)
ZR42K3TF5930	COMPRESSOR 42800, 208/230/60/3 (M4, M5)	Expanded Model Nomenclature	
ZR42K3TFD930	COMPRESSOR 42800, 460/60/3 (M6)	M1 - GPH1336M23AA M2 - GPH1336M23AB M3 - GPH1336M24AA M4 - GPH1348M23AA M5 - GPH1348M23AB M6 - GPH1348M24AA M7 - GPH1360M23AA M8 - GPH1360M23AB M9 - GPH1360M24AA	
ZR54K3TF5930	COMPRESSOR 54200, 200/230/60/3 (M7, M8)		
ZR54K3TFD930	COMPRESSOR 54500, 460/60/3 (M9)		
0131M00008PS	COND MOTOR 1/3 HP, 1 SP, 6 PL (M4, M7)		
B13400249S	COND MOTOR 1/3 HP, 460V (M6, M9)		
0131M00007PS	COND MOTOR 1/4 HP, 1 SP, 6 PL (M1, M5, M8)		
0131M00014PS	COND MOTOR 1/4 HP, 1 SP, 8 PL (M2)		
B13400269S	COND MOTOR 380/460 50/60 CYCLE (M3)		
CONT3P025024VS	CONTACTOR 25 AMP, 3P, 24V		
0130M00019S	CUT-OUT SWITCH, LOW PRESSURE		
PCBDM130	DEFROST CONTROL BOARD		
0130M00009P	DEFROST THERMOSTAT OPEN 60°, CLOSE 34°		
0130M00012	TRANSFORMER (M6, M9)		
B1141643	TRANSFORMER 208/230, 24V (M1, M2, M4, M5, M7, M8)		
B1141672	TRANSFORMER 480V, 75VA, RESETTABLE (M3, M6, M9)		

Cabinet Assembly

Image 1

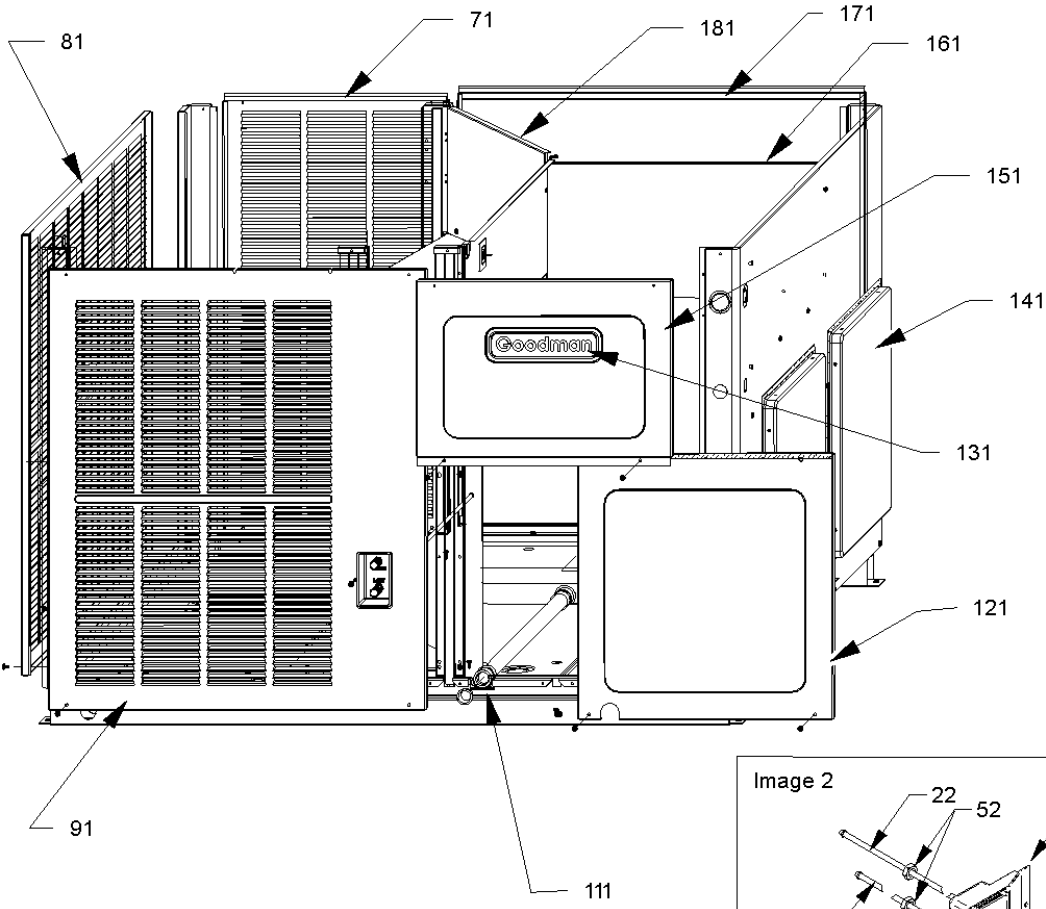
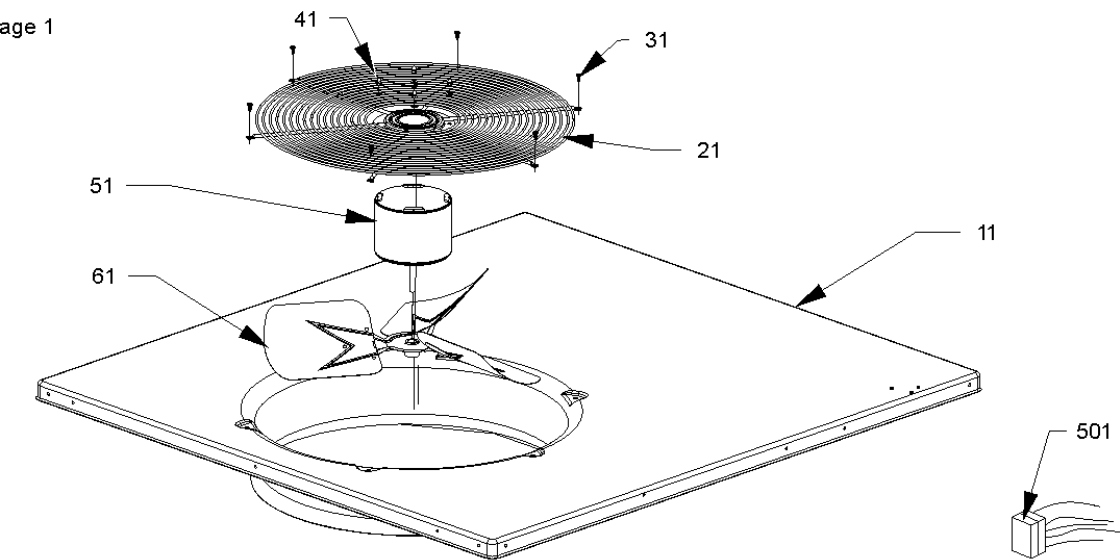
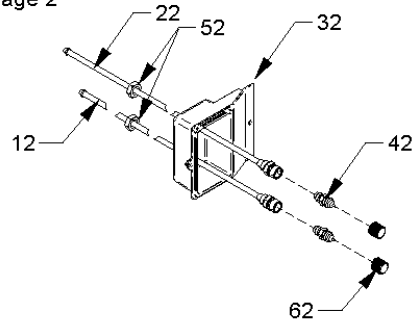


Image 2



Cabinet Assembly

Ref. Part No:	No:	Description:	Ref. Part No:	No:	Description:									
<i>Image 1:</i>			<i>Image 2:</i>											
11	20466001PDGS	TOP PANEL	32	0161G00001P	ACCESS FITTING BOX									
21	0152G00002S	FAN GRILLE (M1, M3, M4, M6, M7, M9)	42	B1373315	ACCESS FITTING (QTY 2)									
21	0152G00000S	RAISED FAN GRILLE (M2, M5, M8)	52	0163G00000P	FASTEST FITTING NUT (QTY 2)									
31	M0221817	SMALL SCREW (QTY 6)	NS	0210G00008P	PROCESS TUBING ASSY (M1, M2, M3)									
41	0163M00006P	ACORN NUT 5/16 HEX BLACK (QTY 4)	Expanded Model Nomenclature											
51	0131M00008PS	COND MOTOR 1/3 HP, 1 SP, 6 PL (M4, M7)	<table border="1"> <tr><td>M1 - GPH1336M23AA</td></tr> <tr><td>M2 - GPH1336M23AB</td></tr> <tr><td>M3 - GPH1336M24AA</td></tr> <tr><td>M4 - GPH1348M23AA</td></tr> <tr><td>M5 - GPH1348M23AB</td></tr> <tr><td>M6 - GPH1348M24AA</td></tr> <tr><td>M7 - GPH1360M23AA</td></tr> <tr><td>M8 - GPH1360M23AB</td></tr> <tr><td>M9 - GPH1360M24AA</td></tr> </table>			M1 - GPH1336M23AA	M2 - GPH1336M23AB	M3 - GPH1336M24AA	M4 - GPH1348M23AA	M5 - GPH1348M23AB	M6 - GPH1348M24AA	M7 - GPH1360M23AA	M8 - GPH1360M23AB	M9 - GPH1360M24AA
M1 - GPH1336M23AA														
M2 - GPH1336M23AB														
M3 - GPH1336M24AA														
M4 - GPH1348M23AA														
M5 - GPH1348M23AB														
M6 - GPH1348M24AA														
M7 - GPH1360M23AA														
M8 - GPH1360M23AB														
M9 - GPH1360M24AA														
51	B13400249S	COND MOTOR 1/3 HP, 460V (M6, M9)												
51	0131M00007PS	COND MOTOR 1/4 HP, 1 SP, 6 PL (M1, M5, M8)												
51	0131M00014PS	COND MOTOR 1/4 HP, 1 SP, 8 PL (M2)												
51	B13400269S	COND MOTOR 380/460 50/60 CYCLE (M3)												
61	0150G00001S	FAN BLADE (M4, M6, M7, M9)												
61	B1086773S	FAN BLADE 22" (M1, M3)												
61	0150M00011S	FAN BLADE SWEEP-WING (M5, M8)												
61	B1086765S	FAN BLADE TYPE 3 (M2)												
71	20467701PDGS	LOUVERED PANEL, COND SIDE 32" (M1, M2, M3)												
71	20467702PDGS	LOUVERED PANEL, COND SIDE 40" (M4, M5, M6, M7, M8, M9)												
81	20464401PDGS	LOUVERED PANEL, COND SIDE 32" (M1, M2, M3)												
81	20464402PDGS	LOUVERED PANEL, COND SIDE 40" (M4, M5, M6, M7, M8, M9)												
91	0121G00146PDG	LOUVERED PANEL 4 BANK 32.5", COMP SIDE (M1, M2, M3)												
91	0121G00147PDG	LOUVERED PANEL 4 BANK 40", COMP SIDE (M4, M5, M6, M7, M8, M9)												
111	0261G00000	DRAIN PIPE												
121	0260G00023PS	INSULATED ASSY, BLOWER PANEL 32.5" (M1, M2, M3)												
121	0260G00024PS	INSULATED ASSY, BLOWER PANEL 40" (M4, M5, M6, M7, M8, M9)												
131	B10259251	GOODMAN LABEL												
141	20464501PDGS	BACK DUCT COVER 27" & 32" (M1, M2, M3)												
141	20464502PDGS	BACK DUCT COVER 40" (M4, M5, M6, M7, M8, M9)												
151	0121G00213DGS	CONTROL BOX PANEL												
161	0260G00027S	INSULATED ASSY, EVAP BLOCK-OFF 32" (M1, M2, M3)												
161	0260G00028S	INSULATED ASSY, EVAP BLOCK-OFF 40" (M4, M5, M6, M7, M8, M9)												
171	0260G00025PS	INSULATED ASSY, BLOWER PANEL 32.5" (M1, M2, M3)												
171	0260G00026PS	INSULATED ASSY, BLOWER PANEL 40" (M4, M5, M6, M7, M8, M9)												
181	0260G00022PS	INSULATED ASSY, FAN SHROUD												
NS	0259L00085	ECONOMIZER HARNESS												
NS	17788000083F	PVC CONDUIT 8.25"												
<i>Image 2:</i>														
12	0210G00031P	PROCESS TUBE ASSY-LIQUID												
22	0210G00030P	PROCESS TUBE ASSY-SUCTION (M1, M2, M3)												
22	0210G00031P	PROCESS TUBE ASSY-SUCTION (M4, M5, M6, M7, M8, M9)												

Tubing/Partition Panel/Compressor

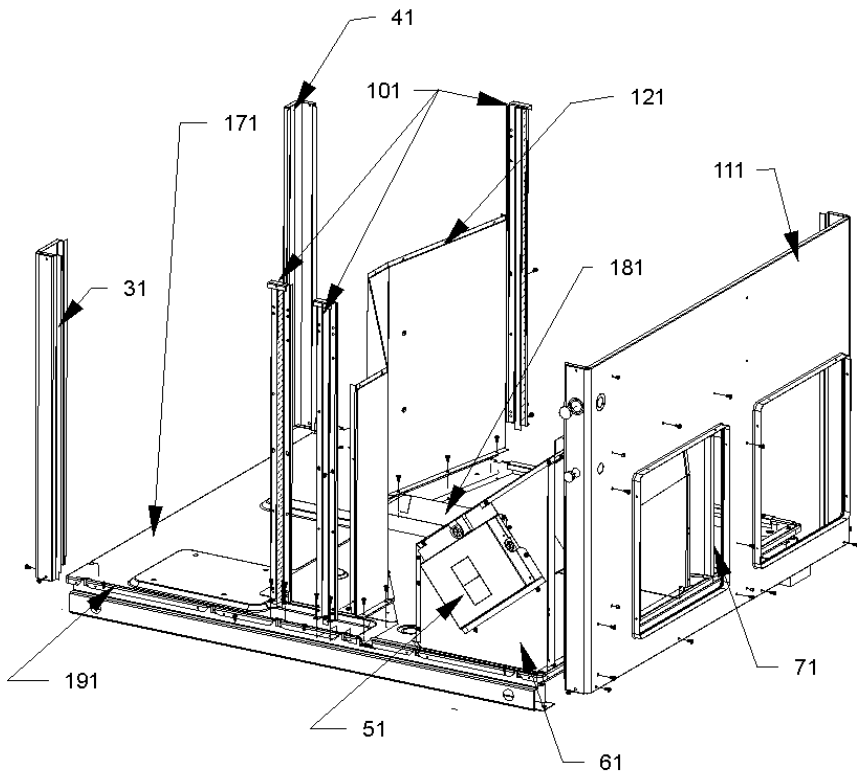
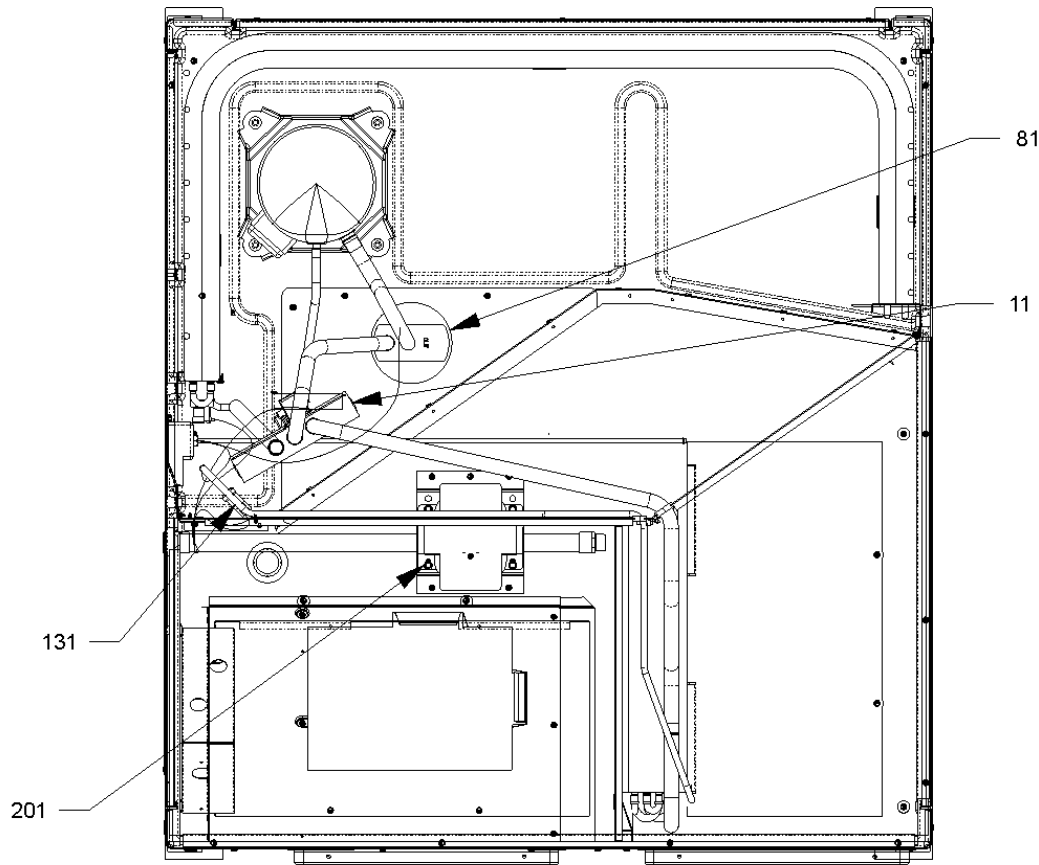
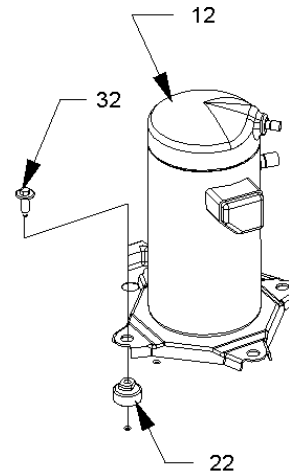


Image 2



Tubing/Partition Panel/Compressor

Ref. Part No: No:	Description:	Ref. Part No: No:	Description:
-------------------	--------------	-------------------	--------------

Image 1:

11	B1227318S	REVERSING VALVE
31	20464201PDGS	CORNER POST-COMP END 32" (M1, M2, M3)
31	20464202PDGS	CORNER POST-COMP END 40" (M4, M5, M6, M7, M8, M9)
41	20464301PDGS	CORNER POST-HAIRPIN END 32" (M1, M2, M3)
41	20464302PDGS	CORNER POST-HAIRPIN END 40" (M4, M5, M6, M7, M8, M9)
51	0121G00221	HEATER KIT COVER (QTY 2)
61	0221G00014	BLOWER TRANSITION ASSY
71	0121G00158	EVAP BLOCK-OFF 32.5" (M1, M2, M3)
71	0121G00159	EVAP BLOCK-OFF 40" (M4, M5, M6, M7, M8, M9)
81	B1226207	ACCUMULATOR .875
101	0121G00208	SUPPORT POST 32" (M1, M2, M3)
101	0121G00209	SUPPORT POST 40" (M4, M5, M6, M7, M8, M9)
111	0260G00018PS	INSULATED ASSY, DUCT 32.5" (M1, M2, M3)
111	0260G00019PS	INSULATED ASSY, DUCT 40" (M4, M5, M6, M7, M8, M9)
121	0260G00020PS	INSULATED ASSY, PARTITION PANEL 32" (M1, M2, M3)
121	0260G00021PS	INSULATED ASSY, PARTITION PANEL 40 (M4, M5, M6, M7, M8, M9)
131	0130M00019S	CUT-OUT SWITCH, LOW PRESSURE
171	0121G00289	BASE PAN
181	0161G00003	PLASTIC DRIP PAN
191	0121G00290	BASE PAN RAIL (QTY 2)
201	0130M00012	TRANSFORMER (M6, M9)
NS	B1219204	BI-FLOW FILTER DRIER, STEEL
NS	0121G00148	SINGLE COVER, DOWN DISCHARGE (QTY 2)
NS	B1225022S	SOLENOID COIL, REVERSING VALVE
NS	0121G00189	TRANSFORMER COVER (M6, M9)

Expanded Model Nomenclature

M1 - GPH1336M23AA
M2 - GPH1336M23AB
M3 - GPH1336M24AA
M4 - GPH1348M23AA
M5 - GPH1348M23AB
M6 - GPH1348M24AA
M7 - GPH1360M23AA
M8 - GPH1360M23AB
M9 - GPH1360M24AA

Image 2:

12	ZR32K3TF5930	COMPRESSOR 32600, 208/230/60/3 (M1, M2)
12	ZR32K3TFD930	COMPRESSOR 32600, 460/60/3 (M3)
12	ZR42K3TF5930	COMPRESSOR 42800, 208/230/60/3 (M4, M5)
12	ZR42K3TFD930	COMPRESSOR 42800, 460/60/3 (M6)
12	ZR54K3TF5930	COMPRESSOR 54200, 200/230/60/3 (M7, M8)
12	ZR54K3TFD930	COMPRESSOR 54500, 460/60/3 (M9)
22	B1339533	COMPRESSOR GROMMET (QTY 4)
32	M0221641	TF SHOULDER SCREW (QTY 4)
NS	0259G00053	COMPRESSOR HARNESS

Coil/Evap Assy

Image 1

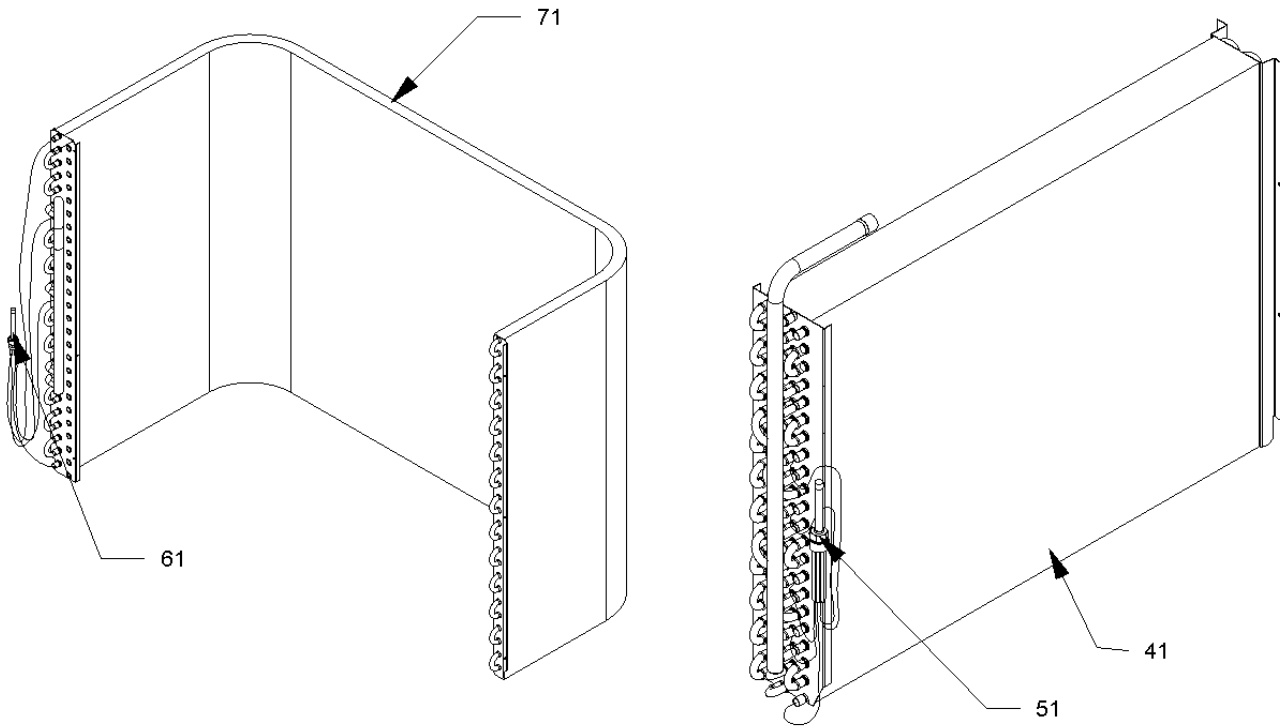
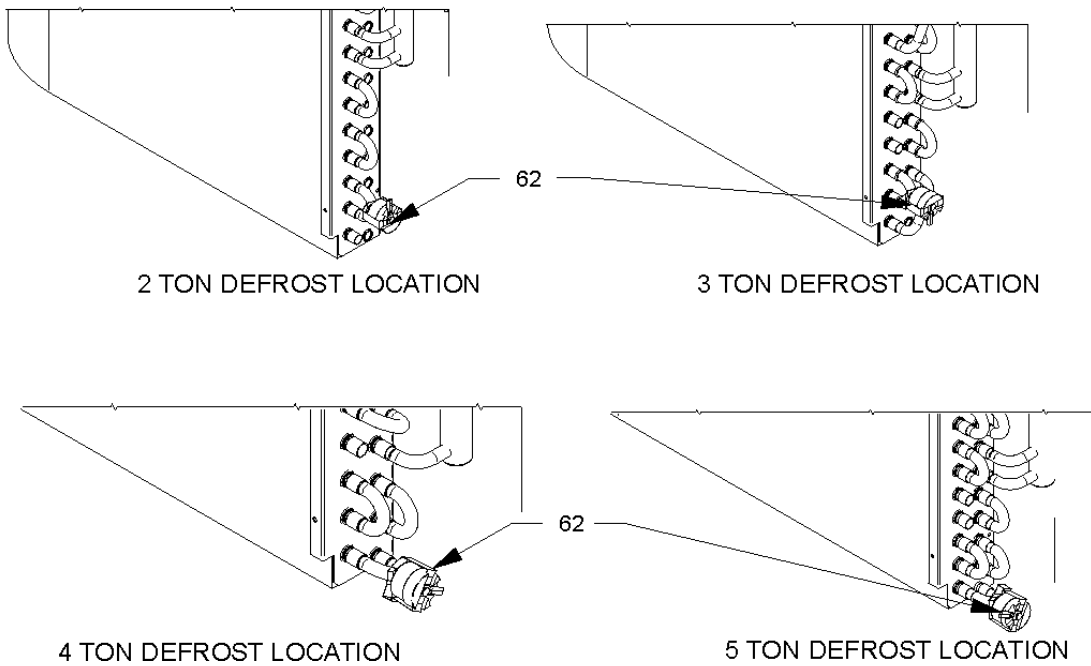


Image 2



Coil/Evap Assy

Ref. Part No: No:	Description:	Ref. Part No: No:	Description:
-------------------	--------------	-------------------	--------------

Image 1:

41	0202G00000PS	TUBING ASSY, EVAP COIL (M7, M8, M9)
41	0202G00002PS	TUBING ASSY, EVAP COIL (M1, M2, M3)
41	0202G00003PS	TUBING ASSY, EVAP COIL (M4, M5, M6)
51	0162M00011P	FLOWRATOR .073 [EVAP] (M1, M2, M3)
51	B2114882	FLOWRATOR .082 [EVAP] (M4, M5, M6)
51	0162M00048	FLOWRATOR .094 [EVAP] (M7, M8, M9)
61	B2114659	FLOWRATOR .059 [COND] (M1, M2, M3)
61	0162M00042	FLOWRATOR .071 [COND] (M4, M5, M6)
61	0162M00044	FLOWRATOR .076 [COND] (M7, M8, M9)
71	0201G00067S	TUBING ASSY, COND COIL 32.5" (M1, M2, M3)
71	0201G00002PS	TUBING ASSY, COND COIL 40" (M7, M8, M9)
71	0201G00061PS	TUBING ASSY, COND COIL 40" (M4, M5, M6)

Image 2:

62	0130M00009P	DEFROST THERMOSTAT OPEN 60°, CLOSE 34°
----	-------------	--

Expanded Model Nomenclature

M1 - GPH1336M23AA
M2 - GPH1336M23AB
M3 - GPH1336M24AA
M4 - GPH1348M23AA
M5 - GPH1348M23AB
M6 - GPH1348M24AA
M7 - GPH1360M23AA
M8 - GPH1360M23AB
M9 - GPH1360M24AA

Control Panel/Blower Assy

Image 1

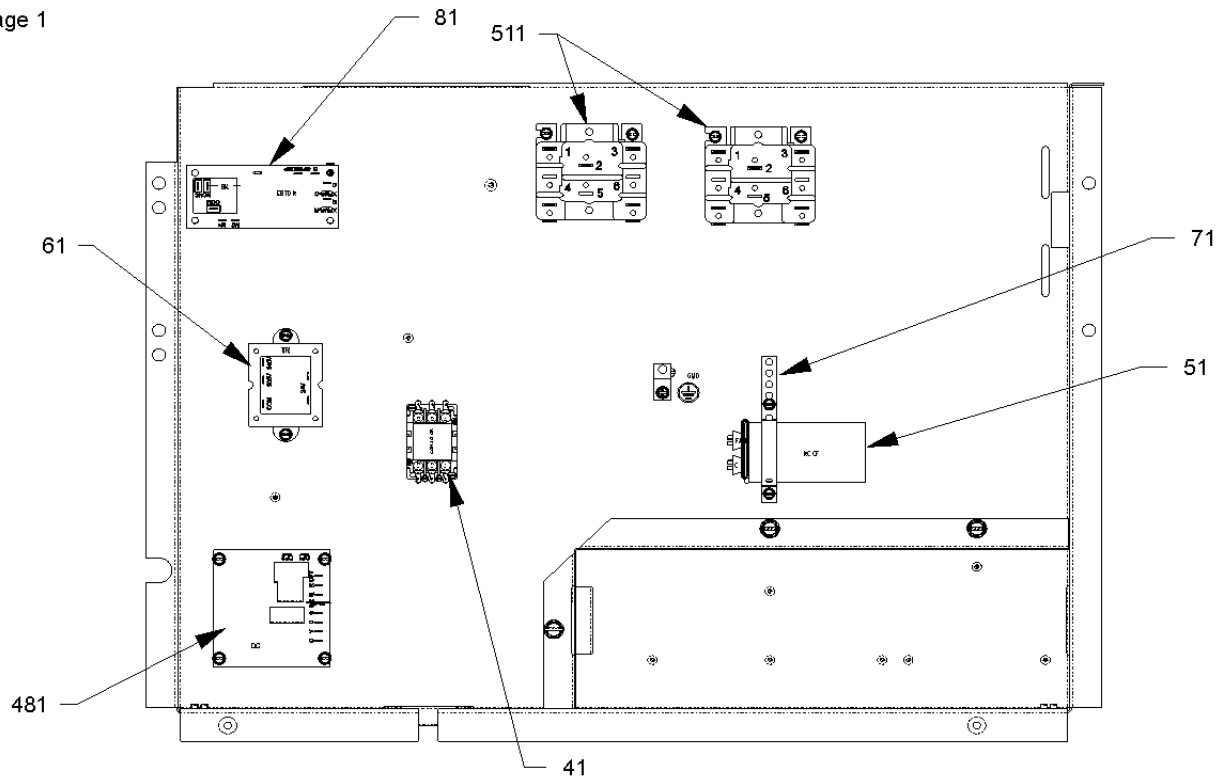
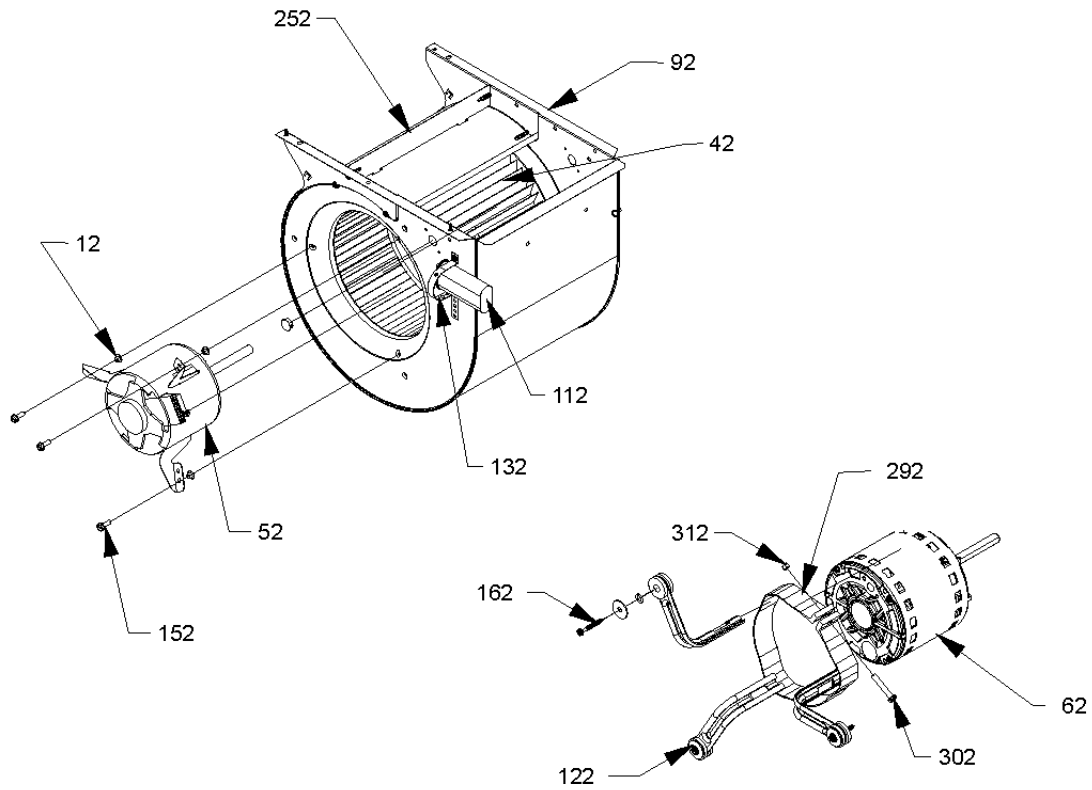


Image 2



Control Panel/Blower Assy

**Ref. Part
No: No:**

Description:

**Ref. Part
No: No:**

Description:

Image 1:

41	CONT3P025024VS	CONTACTOR 25 AMP, 3P, 24V
51	CAP050000370VAS	CAPACITOR 5/370V [CONTROL BOX]
61	B1141643	TRANSFORMER 208/230, 24V (M1, M2, M4, M5, M7, M8)
61	B1141672	TRANSFORMER 480V, 75VA, RESETTABLE (M3, M6, M9)
71	20520901	CAPACITOR STRAP
81	PCBFM131	BOARD, ELECTRONIC BLOWER TIME DELAY RELAY (M1, M2, M3)
481	PCBDM130	DEFROST CONTROL BOARD
511	0130M00025S	24V RELAY (M3, M6, M9)
NS	0121G00242	TRANSFORMER MOUNTING PLATE (M6, M9)
NS	0259G00000P	WIRE HARNESS, ELECTRIC HEAT (M1, M2, M3)
NS	0259G00003	WIRE HARNESS, ELECTRIC HEAT (M4, M5, M6, M7, M8, M9)

Expanded Model Nomenclature

M1 - GPH1336M23AA
M2 - GPH1336M23AB
M3 - GPH1336M24AA
M4 - GPH1348M23AA
M5 - GPH1348M23AB
M6 - GPH1348M24AA
M7 - GPH1360M23AA
M8 - GPH1360M23AB
M9 - GPH1360M24AA

Image 2:

12	B1392143	GROMMET, 26TAL F/TORSIN FLEX (M1, M2, M3)
42	D6723303S	BLOWER WHEEL
52	11119203S	BLOWER MOTOR (M1, M2)
52	0131M00075S	BLOWER MOTOR 1/3 HP, 2SP, 460V (M3)
62	0231K00044	BLOWER MOTOR 1 HP PROGRAMMED X13 (M7, M8, M9)
62	0231K00043	BLOWER MOTOR 3/4 HP PROGRAMMED X13 (M4, M5, M6)
92	0271G00024S	BLOWER HOUSING ASSY 10 X 9
112	CAP100000370VAS	CAPACITOR 10/370V [BLOWER] (M3)
112	CAP150000370VAS	CAPACITOR 15/370V [BLOWER] (M1, M2)
122	B1376857	MOTOR MOUNT ARM (M4, M5, M6, M7, M8, M9)
132	20520901	CAPACITOR STRAP (M1, M2, M3)
152	M0250558	TC SCREW (M1, M2, M3)
152	M0250565	TC SCREW 1.25" (M4, M5, M6, M7, M8, M9)
252	764742	BLOWER BLOCK-OFF
292	0121M00038	MOTOR MOUNT BAND (M4, M5, M6, M7, M8, M9)
302	B1393323	MACHINE SCREW HWH 1/4-20 X 1-1/2 BZ (M4, M5, M6, M7, M8, M9)
312	B1393800	LOCKNUT, NYLON, INSERT 1/4, 20 (M4, M5, M6, M7, M8, M9)
NS	0259G00052	BLOWER HARNESS (M6, M9)
NS	0259G00056	BLOWER HARNESS (M1, M2)
NS	0259G00058	BLOWER HARNESS (M4, M5, M7, M8)
NS	B821700	CAPACITOR BOOT (M1, M2, M3)

