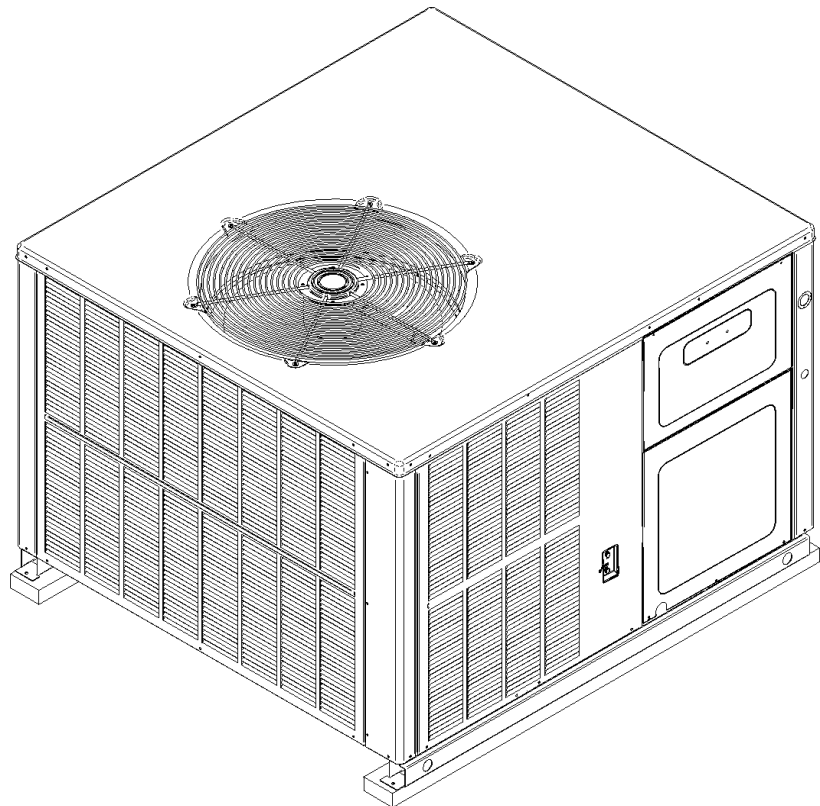




# REPAIR PARTS

## GPH13 "M" Series Package Heat Pumps

- GPH1324M41AA
- GPH1330M41AA
- GPH1336M41AA
- GPH1342M41AA
- GPH1348M41AA
- GPH1360M41AA



This manual is to be used by qualified technicians only.

This manual replaces RP-593.

© 2010,2016 Goodman Company, L.P. ♦ 5151 San Felipe St., Suite 500 ♦ Houston, TX 77056

# Important Information

---

## Index

Functional Parts List .....	3
Illustration and Parts .....	4 - 11

*Views shown are for parts illustrations only, not servicing procedures*

### Text Codes:

AR - As Required

NA - Not Available

NS - Not Shown

00000000 - See Note

QTY - Quantity Example (QTY 3) (If Quantity not shown, Quantity = 1)

M - Model Example (M1) (If M Code not shown, then part is used on all Models)

### Expanded Model Nomenclature:

Example M1 - Model#1 M2 - Model#2 M3 - Model#3
---------------------------------------------------------

Goodman Company, L.P. is not responsible for personal injury or property damage resulting from improper service. Review all service information before beginning repairs.

Warranty service must be performed by an authorized technician, using authorized factory parts. If service is required after the warranty expires, Goodman Company, L.P. also recommends contacting an authorized technician and using authorized factory parts.

Goodman Company, L.P. reserves the right to discontinue, or change at any time, specifications or designs without notice or without incurring obligations.

For assistance within the U.S.A. contact:

Consumer Affairs Department

Goodman Company, L.P.

7401 Security Way

Houston, Texas 77040

877-254-4729-Telephone

713-863-2382-Facsimile

For assistance outside the U.S.A. contact:

International Division

Goodman Company, L.P.

7401 Security Way

Houston, Texas 77040

713-861-2500-Telephone

713-863-2382-Facsimile

# Functional Parts

## Part

## No: Description:

0130M00014	240 VOLT RELAY (M1, M2, M3, M4)
0231K00044	BLOWER MOTOR 1 HP PROGRAMMED (M6)
11091203S	BLOWER MOTOR 1/3 HP, 3 SP, 6 PL (M3, M4)
0131M00062	BLOWER MOTOR 1/3 HP, 3 SP, 6 PL (M2)
11091207S	BLOWER MOTOR 1/4 HP, 3 SP, 8 PL (M1)
0231K00043	BLOWER MOTOR 3/4 HP PROGRAMMED (M5)
D6723303S	BLOWER WHEEL
CAP100000370VAS	CAPACITOR 10/370V [BLOWER] (M1, M2, M3, M4)
CAP050400440RTS	CAPACITOR 5/40/440V (M1)
CAP050450440RTS	CAPACITOR 5/45/440V (M2, M3, M4)
CAP050700440RTS	CAPACITOR 5/70/440V (M5, M6)
ZP21K5EPFV830	COMPRESSOR 21300,208/230/60/1 (M1)
ZP28K5EPFV130	COMPRESSOR 28000, 208/230/60/1 (M2)
ZP31K5EPFV830	COMPRESSOR 31100, 208/230/60/1 (M3)
ZP36K5EPFV830	COMPRESSOR 36200, 208/230/60/1 (M4)
ZP42K5EPFV130	COMPRESSOR 42000, 208/230/60/1 (M5)
ZP51K5EPFV830	COMPRESSOR 51000, 208/230/60/1 (M6)
0131M00007PS	COND MOTOR 1/4 HP, 1 SP, 6 PL (M4, M5, M6)
0131M00061S	COND MOTOR 1/4HP, 1SP, 8PL (M1, M2, M3)
CONT2P025024VS	CONTACTOR 25 AMP, 2P, 24V (M1, M2, M3, M4)
CONT2P040024VS	CONTACTOR 40 AMP, 2P, 24V (M5, M6)
0130M00018S	CUT-OUT SWITCH, HIGH PRESSURE
0230G00002	CUT-OUT SWITCH, LOW PRESSURE
PCBDM130	DEFROST CONTROL BOARD
0130M00057	DEFROST THERMOSTAT (M1, M2)
0130M00009P	DEFROST THERMOSTAT OPEN 60°, CLOSE 34° (M3, M4, M5, M6)
PCBFM131	ELECTRONIC BLOWER TIME DELAY RELAY (M1, M2, M3, M4)
0150M00008S	FAN BLADE 22" TNT2203-25 (M1, M2)
0150M00011	FAN BLADE SWEPT-WING (M6)
0150G00002S	FAN BLADE SWEPT-WING (M4, M5)
B1086765S	FAN BLADE TYPE 3 (M3)
0151M00019S	REVERSING VALVE (M1, M2)
0151M00021S	REVERSING VALVE (M3, M4, M5, M6)
B1225022S	SOLENOID COIL
B1141643	TRANSFORMER 208/230, 24V

## Expanded Model Nomenclature

M1 - GPH1324M41AA
M2 - GPH1330M41AA
M3 - GPH1336M41AA
M4 - GPH1342M41AA
M5 - GPH1348M41AA
M6 - GPH1360M41AA

## SPECIAL PARTS

B10259251	GOODMAN LABEL
IO-356	I&O
IO-673A	SUPP TO HKR KIT INSTALL INSTR
B1757910	SUPPLEMENTAL INSERT (EBTDR)

# Cabinet Assembly

Image 1

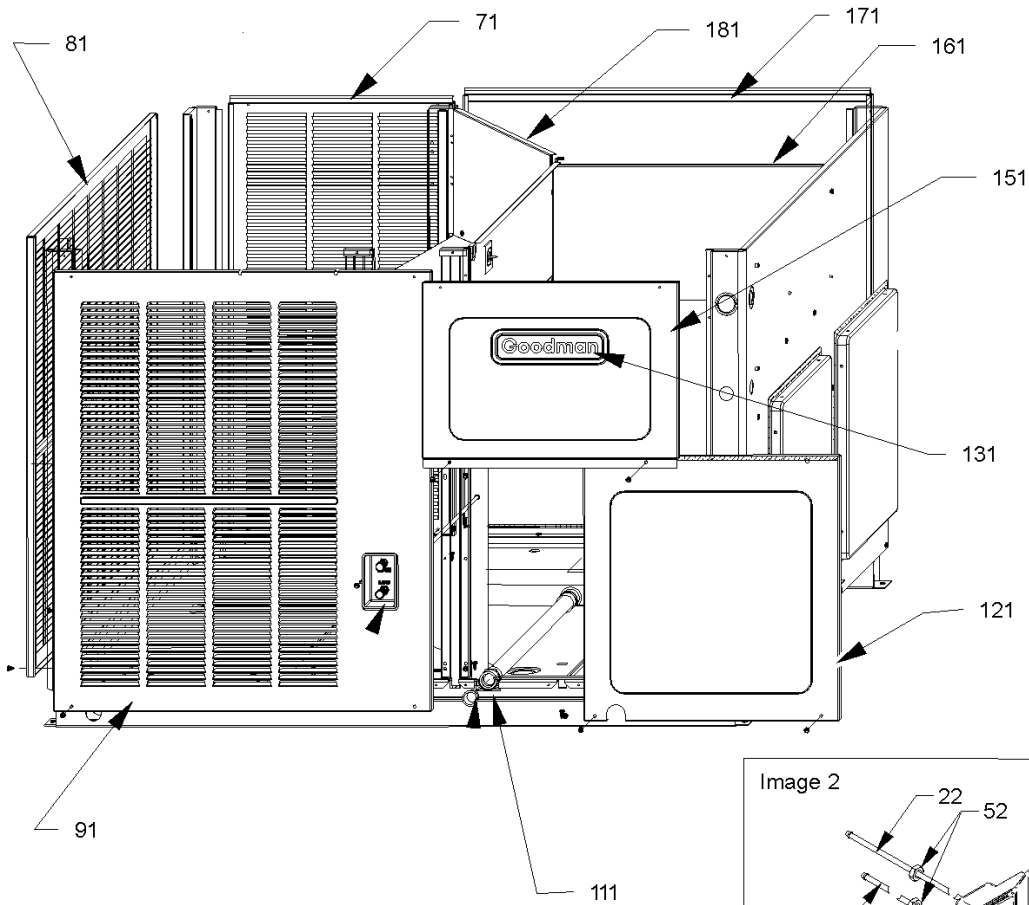
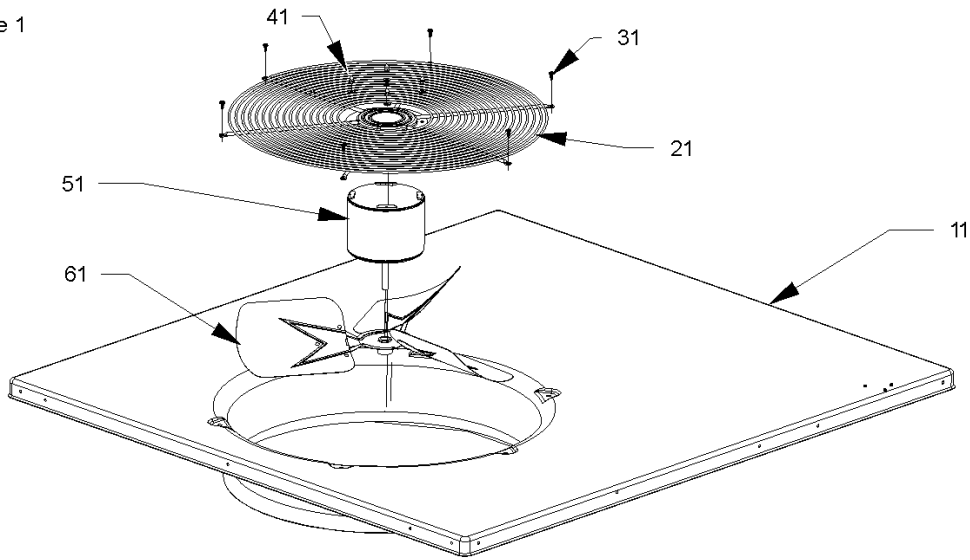
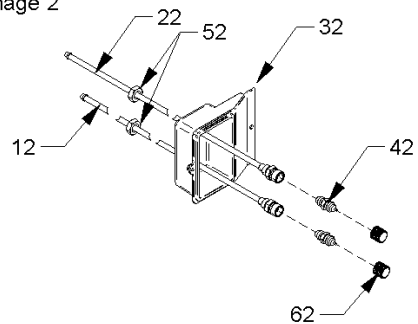


Image 2



# Cabinet Assembly

Ref. Part No: No:	Description:	Ref. Part No: No:	Description:
-------------------	--------------	-------------------	--------------

**Image 1:**

11	20466001PDGS	TOP PANEL
21	0152G00002S	FAN GRILLE (M1, M2)
21	0152G00000S	RAISED FAN GRILLE (M3, M4, M5, M6)
31	M0221817	SMALL SCREW (QTY 6)
41	0163M00006P	ACORN NUT 5/16 HEX BLACK (QTY 4)
51	0131M00007PS	COND MOTOR 1/4 HP, 1 SP, 6 PL (M4, M5, M6)
51	0131M00061S	COND MOTOR 1/4HP, 1SP, 8PL (M1, M2, M3)
61	0150M00008S	FAN BLADE 22" TNT2203-25 (M1, M2)
61	0150G00002S	FAN BLADE SWEPT-WING (M4, M5)
61	0150M00011	FAN BLADE SWEPT-WING (M6)
61	B1086765S	FAN BLADE TYPE 3 (M3)
71	20467701PDGS	LOUVERED PANEL, COND SIDE 32" (M1, M2, M3, M4)
71	20467702PDGS	LOUVERED PANEL, COND SIDE 40" (M5, M6)
81	20464401PDGS	LOUVERED PANEL, COND SIDE 32" (M1, M2, M3, M4)
81	20464402PDGS	LOUVERED PANEL, COND SIDE 40" (M5, M6)
91	0121G00145PDG	LOUVERED PANEL 2 BANK 40", COMP SIDE (M5)
91	0121G00146PDG	LOUVERED PANEL 4 BANK 32.5", COMP SIDE (M1, M2, M3, M4)
91	0121G00147PDG	LOUVERED PANEL 4 BANK 40", COMP SIDE (M6)
111	0261G00000	DRAIN PIPE
121	0260G00023PS	INSULATED ASSY, BLOWER PANEL 32.5" (M1, M2, M3, M4)
121	0260G00024PS	INSULATED ASSY, BLOWER PANEL 40" (M5, M6)
131	B10259251	GOODMAN LABEL
151	0121G00213DGS	CONTROL BOX PANEL
161	0260G00034S	INSULATED ASSY, EVAP BLOCK-OFF 32" (M1, M2, M3, M4)
161	0260G00035S	INSULATED ASSY, EVAP BLOCK-OFF 40" (M5, M6)
171	0260G00025PS	INSULATED ASSY, BLOWER PANEL 32.5" (M1, M2, M3, M4)
171	0260G00026PS	INSULATED ASSY, BLOWER PANEL 40" (M5, M6)
181	0260G00022PS	INSULATED ASSY, FAN SHROUD
NS	17788000083F	PVC CONDUIT 8.25"

**Image 2:**

12	0210G00031P	PROCESS TUBE ASSY-SUCTION
22	0210G00030P	PROCESS TUBE ASSY-LIQUID (M3, M4)
22	0210G000134	PROCESS TUBE ASSY-LIQUID (M1, M2)
22	0210G00031P	PROCESS TUBE ASSY-SUCTION (M5, M6)
32	0161G00001P	ACCESS FITTING BOX
42	B1373315	ACCESS FITTING (QTY 2)
52	0163G00000P	FASTEST FITTING NUT (QTY 2)
62	B9102097	CAP W/O-RING (QTY 2)

**Expanded Model Nomenclature**

M1 - GPH1324M41AA
M2 - GPH1330M41AA
M3 - GPH1336M41AA
M4 - GPH1342M41AA
M5 - GPH1348M41AA
M6 - GPH1360M41AA

Effective July 2008 (serial codes 0807), single phase units will no longer be factory shipped with horizontal duct covers. For downshot applications, contact your local Goodman distributor.

# Tubing/Partition Panel/Compressor

Image 1

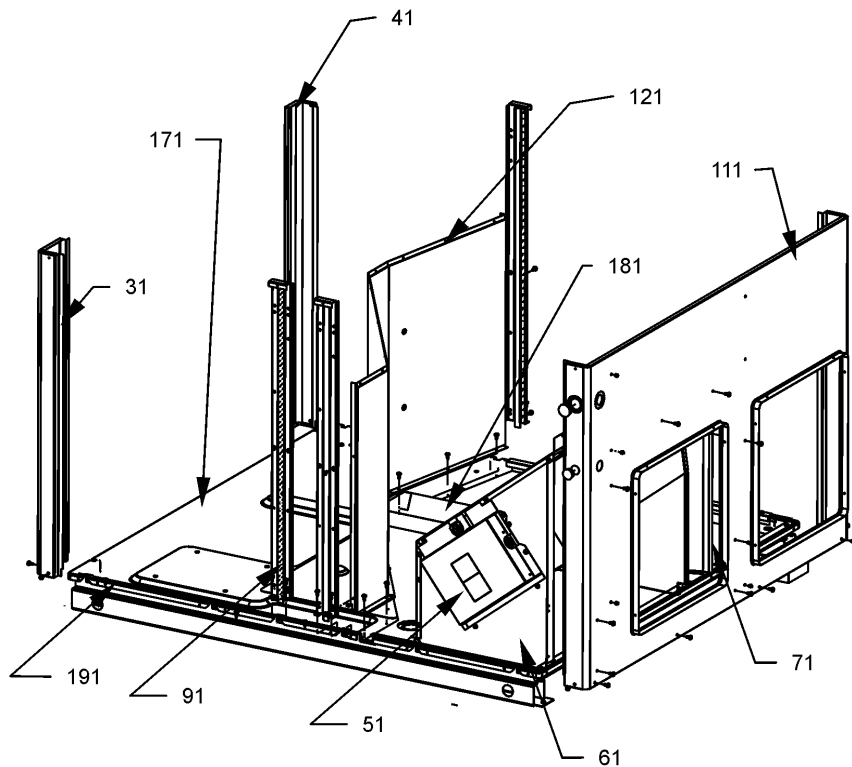
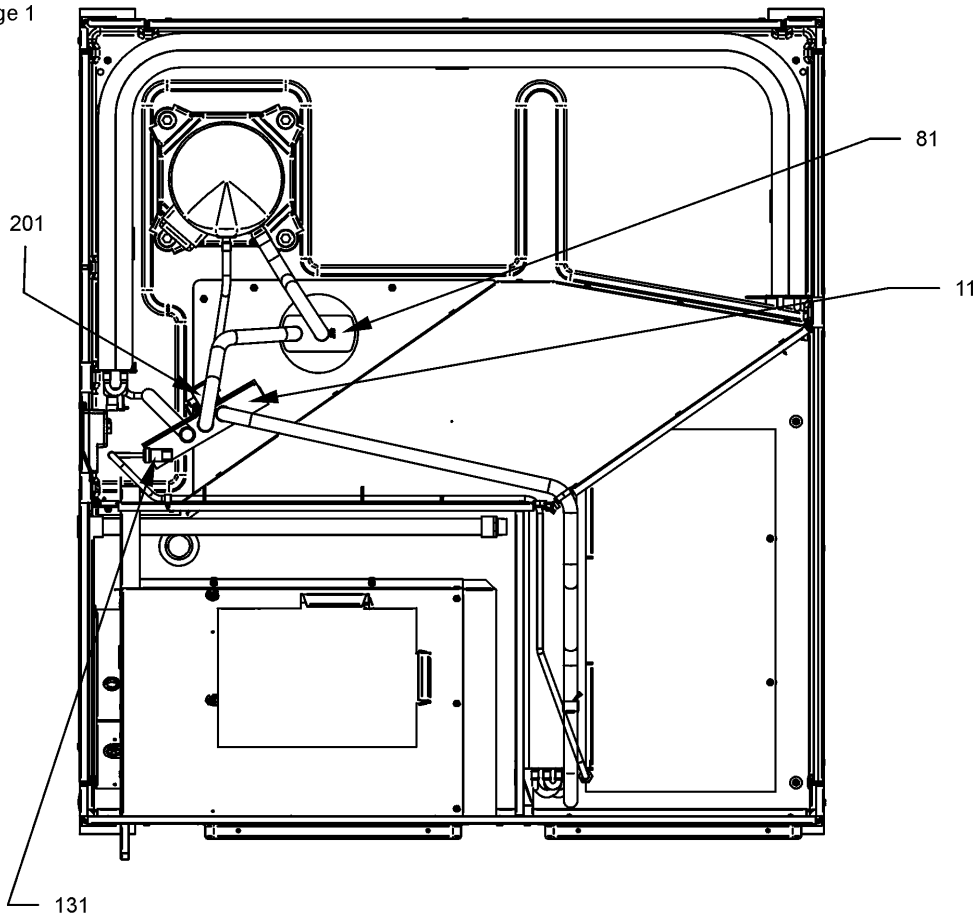
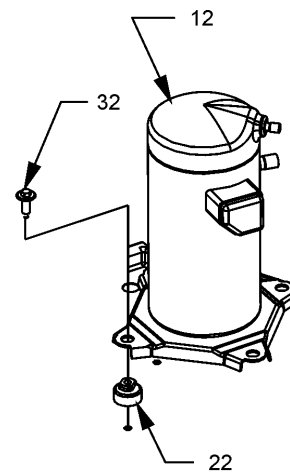


Image 2



# Tubing/Partition Panel/Compressor

Ref. Part No: No:	Description:	Ref. Part No: No:	Description:
-------------------	--------------	-------------------	--------------

**Image 1:**

11	0151M00019S	REVERSING VALVE (M1, M2)
11	0151M00021S	REVERSING VALVE (M3, M4, M5, M6)
31	20464201PDGS	CORNER POST-COMP END 32" (M1, M2, M3, M4)
31	20464202PDGS	CORNER POST-COMP END 40" (M5, M6)
41	20464301PDGS	CORNER POST-HAIRPIN END 32" (M1, M2, M3, M4)
41	20464302PDGS	CORNER POST-HAIRPIN END 40" (M5, M6)
51	0121G00221	HEATER KIT COVER
61	0221G00014	BLOWER TRANSITION ASSY
71	0270G00158	EVAP BLOCK OFF ASSY (M1, M2, M3)
71	0121G00158	EVAP BLOCK-OFF 32.5" (M4)
71	0121G00159	EVAP BLOCK-OFF 40" (M5, M6)
81	B1226206	ACCUMULATOR (M1, M2)
81	B1226207	ACCUMULATOR .875 (M3, M4, M5, M6)
91	0121G00208	SUPPORT POST 32" (M1, M2, M3, M4)
91	0121G00209	SUPPORT POST 40" (M5, M6)
111	0260G00018PS	INSULATED ASSY, DUCT 32.5" (M1, M2, M3, M4)
111	0260G00019PS	INSULATED ASSY, DUCT 40" (M5, M6)
121	0260G00020PS	INSULATED ASSY, PARTITION PANEL 32" (M1, M2, M3, M4)
121	0260G00021PS	INSULATED ASSY, PARTITION PANEL 40 (M5, M6)
131	0230G00002	CUT-OUT SWITCH, LOW PRESSURE
171	0121G00289	BASE PAN
181	0161G00003	PLASTIC DRIP PAN
191	0121G00290	BASE PAN RAIL (QTY 2)
201	B1225022S	SOLENOID COIL
NS	20485201	BI-FLOW FILTER DRIER
NS	0130M00018S	CUT-OUT SWITCH, HIGH PRESSURE

**Image 2:**

12	ZP21K5EPFV830	COMPRESSOR 21300,208/230/60/1 (M1)
12	ZP28K5EPFV130	COMPRESSOR 28000, 208/230/60/1 (M2)
12	ZP31K5EPFV830	COMPRESSOR 31100, 208/230/60/1 (M3)
12	ZP36K5EPFV830	COMPRESSOR 36200, 208/230/60/1 (M4)
12	ZP42K5EPFV130	COMPRESSOR 42000, 208/230/60/1 (M5)
12	ZP51K5EPFV830	COMPRESSOR 51000, 208/230/60/1 (M6)
22	B1339533	COMPRESSOR GROMMET (QTY 4)
32	M0221641	TF SHOULDER SCREW (QTY 4)
NS	20048211	COMPRESSOR HARNESS (M4, M5)
NS	0159G00002	COMPRESSOR SCROLL HARNESS (M1, M2, M3)
NS	0159G00005	COMPRESSOR SCROLL HARNESS (M6)

**Expanded Model Nomenclature**

M1 - GPH1324M41AA
M2 - GPH1330M41AA
M3 - GPH1336M41AA
M4 - GPH1342M41AA
M5 - GPH1348M41AA
M6 - GPH1360M41AA

# Coil/Evap Assy

Image 1

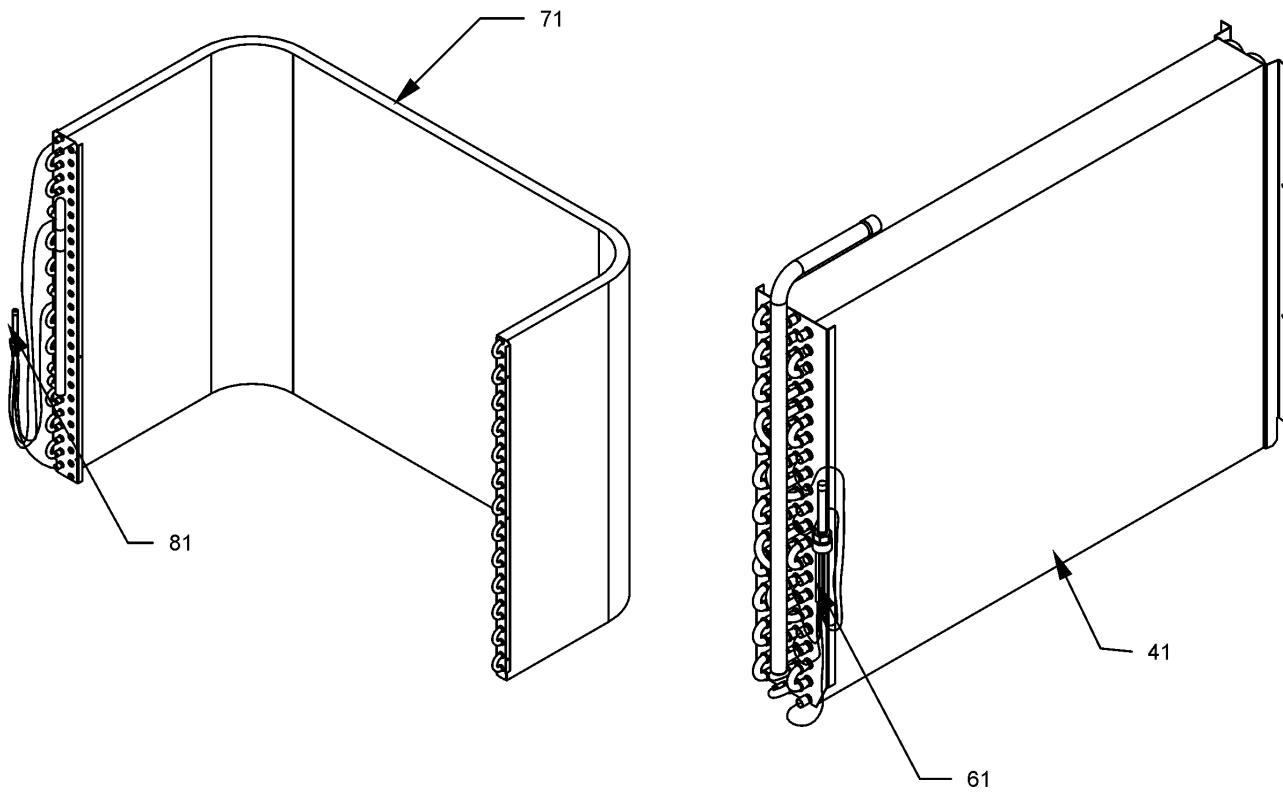
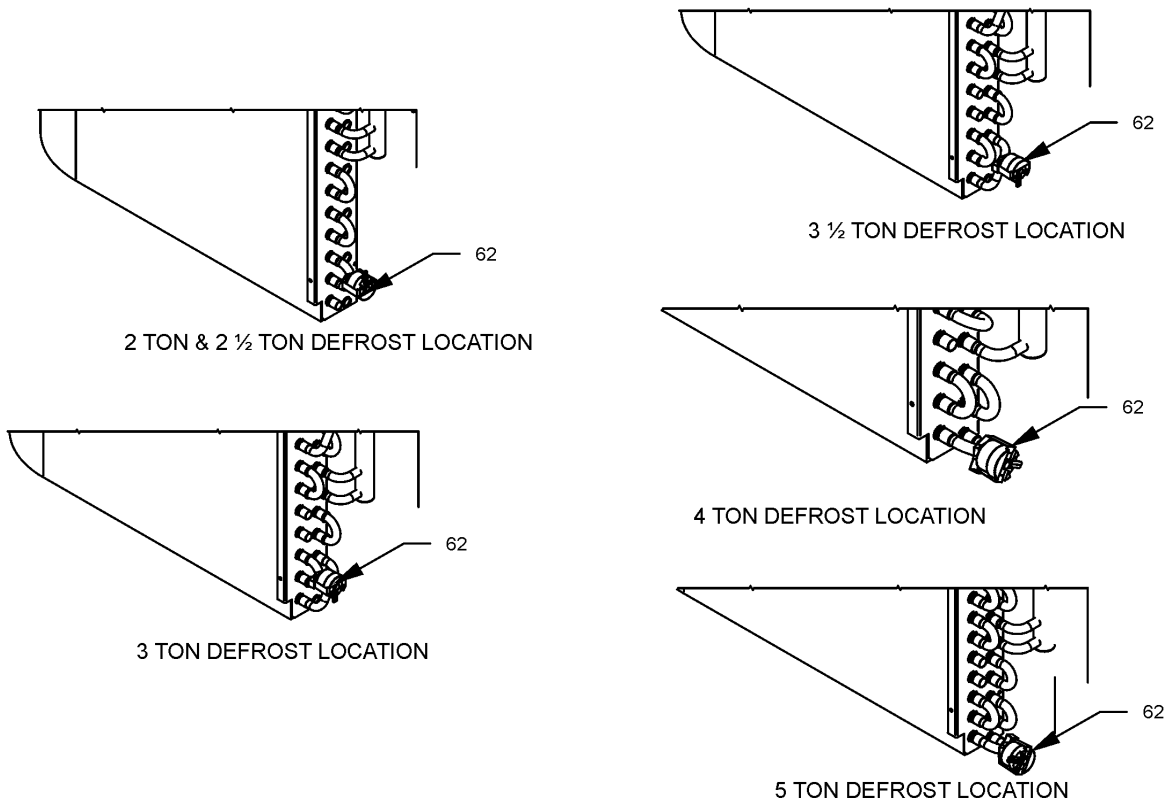


Image 2



# Coil/Evap Assy

Ref. Part No:	Part No:	Description:	Ref. Part No:	Part No:	Description:
---------------	----------	--------------	---------------	----------	--------------

**Image 1:**

41	0202G00322	TUBING ASSY, EVAP COIL (M1)
41	0202G00324	TUBING ASSY, EVAP COIL (M3)
41	0202G00326	TUBING ASSY, EVAP COIL (M5)
41	0202G00327	TUBING ASSY, EVAP COIL (M2)
41	0202G00328	TUBING ASSY, EVAP COIL (M4)
41	0202G00329	TUBING ASSY, EVAP COIL (M6)
61	0162M00132	FLOWRATOR .057 [EVAP] (M1)
61	0162M00117	FLOWRATOR .070 [EVAP] (M2)
61	0162M00139	FLOWRATOR .071 [EVAP] (M3)
61	0162M00136	FLOWRATOR .072 [EVAP] (M4)
61	B2114880	FLOWRATOR .080 [EVAP] (M5)
61	B2114884	FLOWRATOR .084 [EVAP] (M6)
71	0201G00174	TUBING ASSY, COND COIL (M1)
71	0201G00175	TUBING ASSY, COND COIL (M4)
71	0201G00176	TUBING ASSY, COND COIL (M3)
71	0201G00177	TUBING ASSY, COND COIL (M5)
71	0201G00180	TUBING ASSY, COND COIL (M2)
71	0201G00181	TUBING ASSY, COND COIL (M6)
81	0162M00131	FLOWRATOR .045 [COND] (M1)
81	0162M00133	FLOWRATOR .055 [COND] (M2, M3)
81	0162M00137	FLOWRATOR .063 [COND] (M4)
81	0162M00138	FLOWRATOR .065 [COND] (M5)
81	0162M00044	FLOWRATOR .076 [COND] (M6)

**Image 2:**

62	0130M00057	DEFROST THERMOSTAT (M1, M2)
62	0130M00009P	DEFROST THERMOSTAT OPEN 60°, CLOSE 34° (M3, M4, M5, M6)

**Expanded Model Nomenclature**

M1 - GPH1324M41AA
M2 - GPH1330M41AA
M3 - GPH1336M41AA
M4 - GPH1342M41AA
M5 - GPH1348M41AA
M6 - GPH1360M41AA

# Control Panel/Blower Assy

Image 1

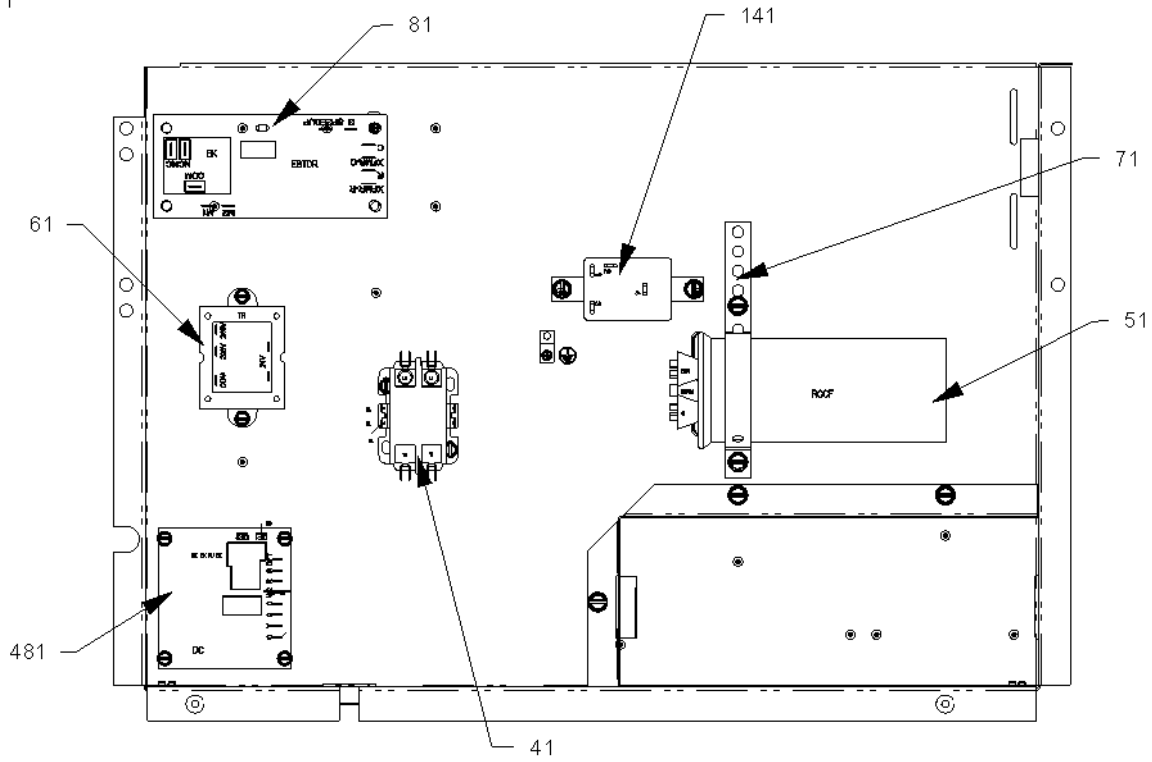
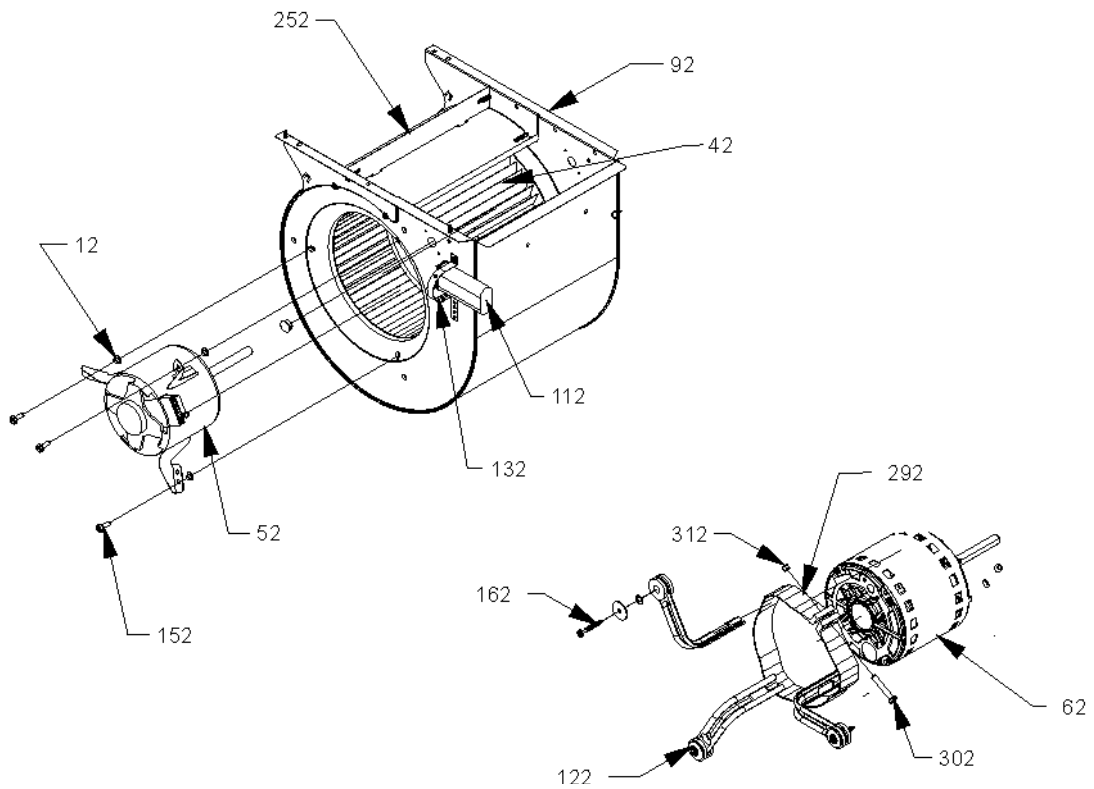


Image 2



# Control Panel/Blower Assy

Ref. Part No: No:	Description:	Ref. Part No: No:	Description:
-------------------	--------------	-------------------	--------------

**Image 1:**

41	CONT2P025024VS	CONTACTOR 25 AMP, 2P, 24V (M1, M2, M3, M4)
41	CONT2P040024VS	CONTACTOR 40 AMP, 2P, 24V (M5, M6)
51	CAP050400440RTS	CAPACITOR 5/40/440V (M1)
51	CAP050450440RTS	CAPACITOR 5/45/440V (M2, M3, M4)
51	CAP050700440RTS	CAPACITOR 5/70/440V (M5, M6)
61	B1141643	TRANSFORMER 208/230, 24V
71	20520901	CAPACITOR STRAP
81	PCBFM131	ELECTRONIC BLOWER TIME DELAY RELAY (M1, M2, M3, M4)
141	0130M00014	240 VOLT RELAY (M1, M2, M3, M4)
481	PCBDM130	DEFROST CONTROL BOARD
NS	0259G00065	BLOWER HARNESS (M5, M6)
NS	0259G00094	WIRE HARN-ELECT HEAT (M1, M2, M3, M4)
NS	0259G00070	WIRE HARNESS, ELECTRIC HEAT (M5, M6)

**Image 2:**

12	B1392143	GROMMET, 26TAL F/TORSIN FLEX (M1, M2, M3, M4)
42	D6723303S	BLOWER WHEEL
52	0131M00062	BLOWER MOTOR 1/3 HP, 3 SP, 6 PL (M2)
52	11091203S	BLOWER MOTOR 1/3 HP, 3 SP, 6 PL (M3, M4)
52	11091207S	BLOWER MOTOR 1/4 HP, 3 SP, 8 PL (M1)
62	0231K00044	BLOWER MOTOR 1 HP PROGRAMMED (M6)
62	0231K00043	BLOWER MOTOR 3/4 HP PROGRAMMED (M5)
92	0271G00024S	BLOWER HOUSING ASSY 10 X 9
112	CAP100000370VAS	CAPACITOR 10/370V [BLOWER] (M1, M2, M3, M4)
122	B1376857	MOTOR MOUNT ARM (M5, M6)
132	20520901	CAPACITOR STRAP (M1, M2, M3, M4)
152	M0250558	TC SCREW (M1, M2, M3, M4)
162	M0250565	TC SCREW 1.25" (M5, M6)
252	764742	BLOWER BLOCK-OFF
292	0121M00038	MOTOR MOUNT BAND (M5, M6)
302	B1393323	MACHINE SCREW HWH 1/4-20 X 1-1/2 BZ (M5, M6)
312	B1393800	LOCKNUT, NYLON, INSERT 1/4, 20 (M5, M6)
NS	B821700	CAPACITOR BOOT (M1, M2, M3, M4)

**Expanded Model Nomenclature**

M1 - GPH1324M41AA
M2 - GPH1330M41AA
M3 - GPH1336M41AA
M4 - GPH1342M41AA
M5 - GPH1348M41AA
M6 - GPH1360M41AA