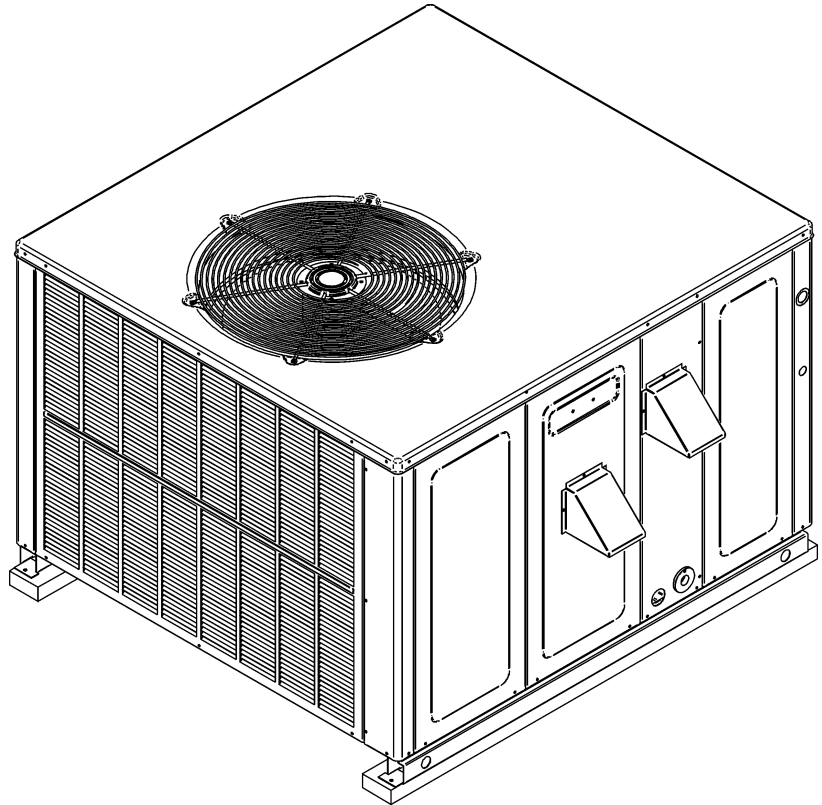


GPG14 Multiposition Residential Package Gas Units [EXPORT]

GPG1460120M4EAA



This manual is to be used by qualified technicians only.

© 2016 Goodman Manufacturing Company, L.P. ♦ 5151 San Felipe St., Suite 500 ♦ Houston, TX 77056

Important Information

Index

Functional Parts List	3
Illustration and Parts	4 - 15

Views shown are for parts illustrations only, not servicing procedures

Text Codes:

AR - As Required

NA - Not Available

NS - Not Shown

00000000 - See Note

QTY - Quantity Example (QTY 3) (If Quantity not shown, Quantity = 1)

M - Model Example (M1) (If M Code not shown, then part is used on all Models)

Expanded Model Nomenclature:

Example M1 - Model#1 M2 - Model#2 M3 - Model#3

Goodman Manufacturing Company, L.P. is not responsible for personal injury or property damage resulting from improper service. Review all service information before beginning repairs.

Warranty service must be performed by an authorized technician, using authorized factory parts. If service is required after the warranty expires, Goodman Manufacturing Company, L.P. also recommends contacting an authorized technician and using authorized factory parts.

Goodman Manufacturing Company, L.P. reserves the right to discontinue, or change at any time, specifications or designs without notice or without incurring obligations.

For assistance within the U.S.A. contact:
Consumer Affairs Department
Goodman Manufacturing Company, L.P.
7401 Security Way
Houston, Texas 77040
877-254-4729-Telephone
713-863-2382-Facsimile

For assistance outside the U.S.A. contact:
International Division
Goodman Manufacturing Company, L.P.
7401 Security Way
Houston, Texas 77040
713-861-2500-Telephone
713-863-2382-Facsimile

Functional Parts

Part

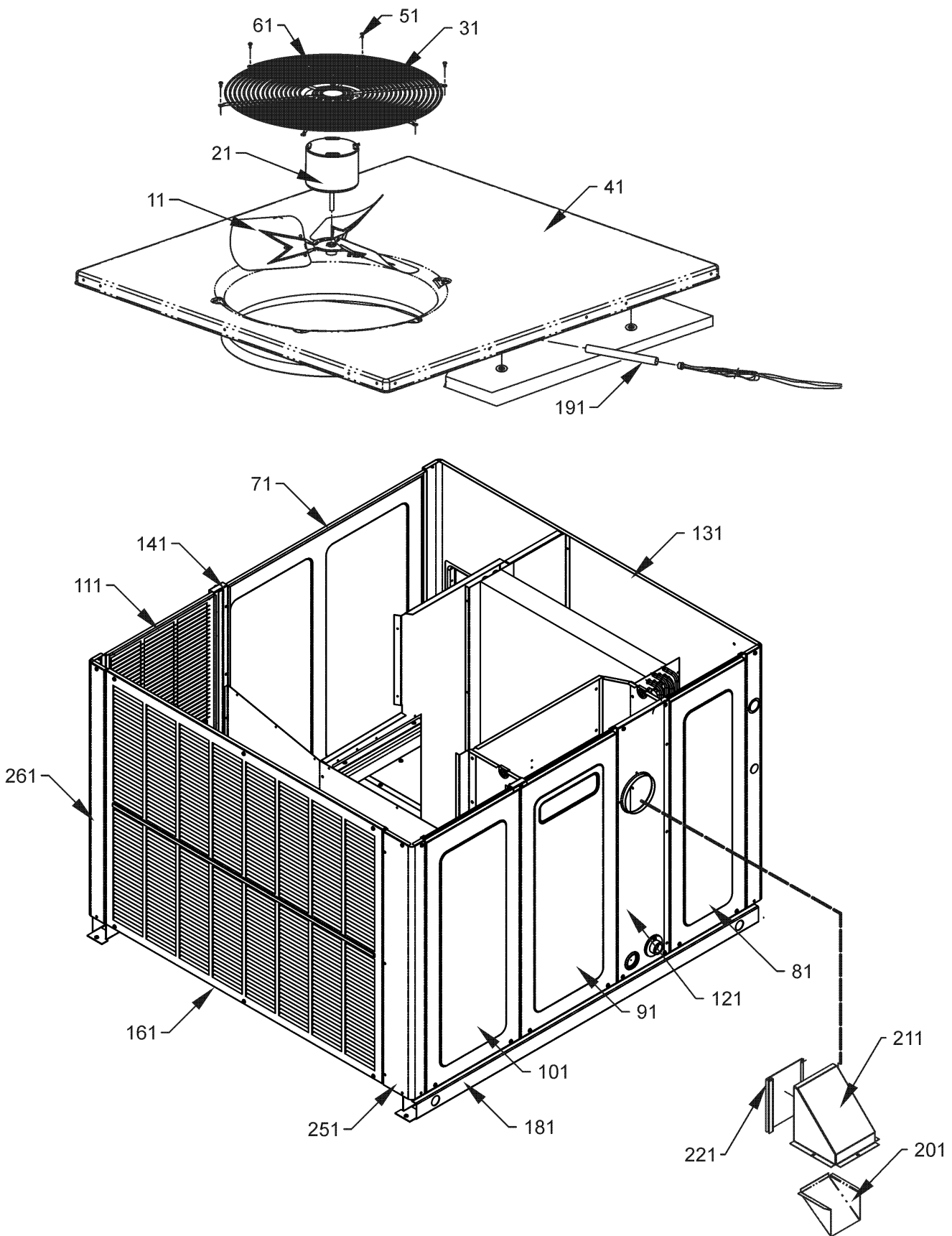
No: Description:

20269903	AUXILIARY LIMIT, AUTO RESET
0163F00017	BECKETT BURNER (QTY 6)
B1368000	BLOWER WHEEL 11 X 10
0131G00090	BLOWER-ID, 50HZ
CAP075000370LA	CAPACITOR 7.5/370V
ZP61KCETFD130	COMPRESSOR 61500, 460/60/3
0131M00642	COND MOTOR 1/3 HP, 460V, 60 CYCLE
CONT3P040024V	CONTACTOR 40 AMP, 3P, 24V
0130M00074	CUT-OUT SWITCH, HIGH PRESSURE
0130M00087	CUT-OUT SWITCH, LOW PRESSURE
10625733	FAN BLADE 22" ALUM CCW
0130F00010	FLAME SENSOR
0151F00000P	GAS VALVE - WHITE-RODGERS 2-STAGE
PCBAG127	IGNITION BOARD, DSI, 2 STG
0130F00014	IGNITOR
10728343	LIMIT SWITCH
10123529	MANUAL RESET LIMIT-GREEN
11112501	PRESSURE SWITCH
0131M00758	PROGRAMMED MOTOR
0130M00081	TRANSFORMER, 380/415V-24V,72VA
0130M00080	TRANSFORMER, 380/420V-230V,150VA

Expanded Model Nomenclature

M1 - GPG1460120M4EAA

Top Panel / Fan / Cabinet



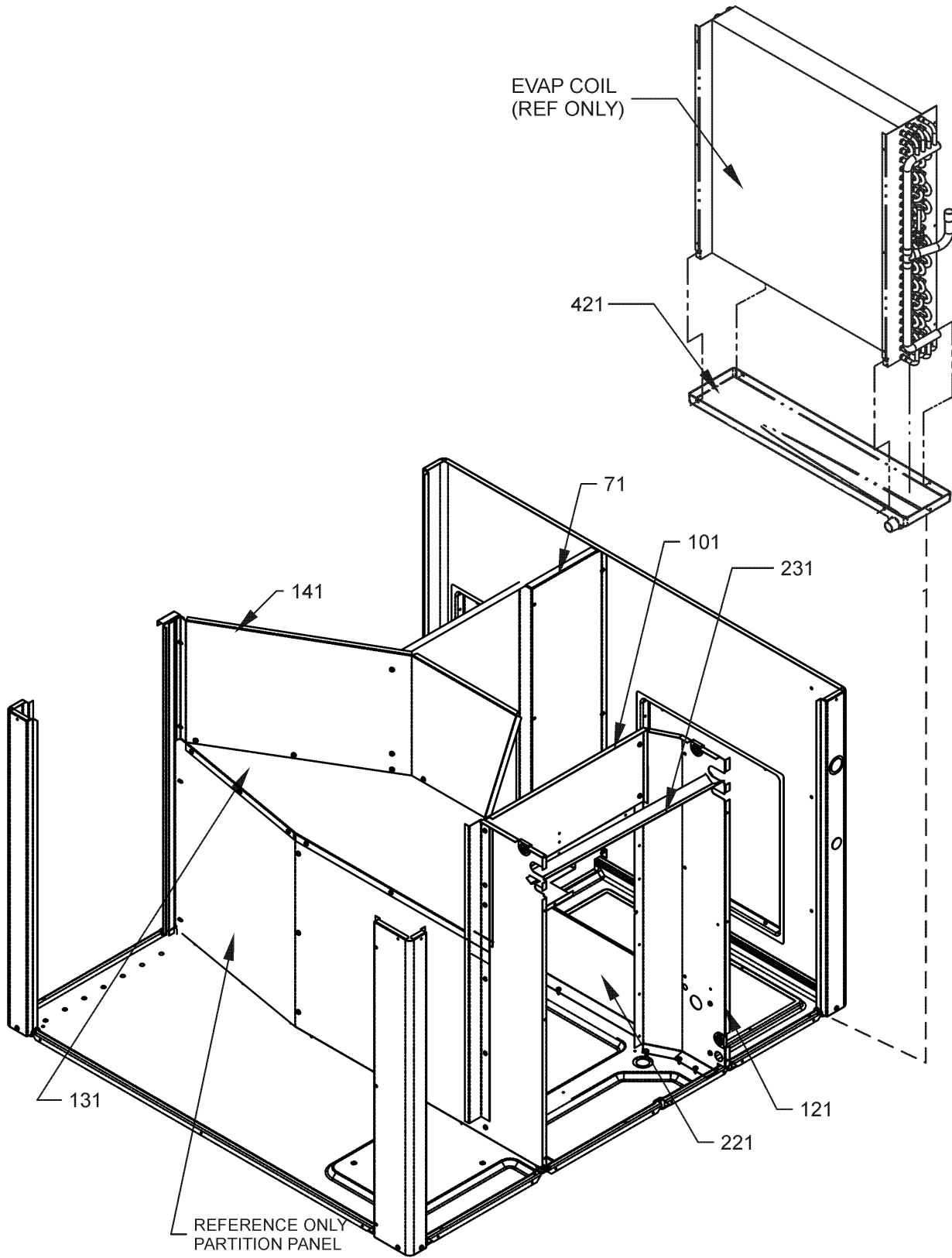
Top Panel / Fan / Cabinet

Ref. Part No:	Description:	Ref. Part No:	Description:
Image 1:			
11	10625733		FAN BLADE 22" ALUM CCW
21	0131M00642		COND MOTOR 1/3 HP, 460V, 60 CYCLE
31	0152G00003		FAN GRILLE
41	0121G00156NG		TOP PANEL
51	M0221817		SMALL SCREW (QTY 11)
61	0163M00006P		ACORN NUT 5/16 HEX BLACK (QTY 4)
71	20464806NG		BLOWER DOOR 40"
81	20464807NG		DOOR-EVAP/CONTROL 40, PNT
91	0121G00527NG		HEAT EXCHANGER DOOR 40"
101	20464809NG		DOOR COMPRESSOR 40, PNT
111	20467702NG		PANEL-COND SIDE 40, PNT
121	20466102NG		UTILITY PANEL 40, PNT
131	0121G00674NG		PNL, DUCT, GAS 40"
141	0121G00615		POST-SUPPORT, SIDE 40
161	20464402NG		PANEL-COND LOUVERED 40, PNT
181	0121G00290		BASE PAN RAIL (QTY 2)
191	17788000083F		PVC CONDUIT 8.25"
201	0121G00190		FLUE HOOD-LOWER
211	0121G00323		FLUE HOOD (QTY 2)
221	20472601		SCREEN-FLUE HOOD
251	0121G00455NG		POST-CRNR COMP END 40, PNT
261	0121G00456NG		POST-CRNR HPIN END 40, PNT
NS	0128G00064		ALUM EVAP DRIP SHIELD
NS	B1910012		GAS LINE GROMMET

Expanded Model Nomenclature

M1 - GPG1460120M4EAA

Partition Assembly



Partition Assembly

Ref. Part No:	No:	Description:	Ref. Part No:	No:	Description:
---------------	-----	--------------	---------------	-----	--------------

Image 1:

71	20465302	BLOWER DIVIDER
101	20465202	FILLER PANEL, HEAT EXCHANGER 40"
121	20465502	EVAP/HEAT EXCHANGER DIVIDER 38"
131	20465701	FAN PARTITION SHELF
141	20465802	FAN SURROUND 40"
221	20463801	EVAP/BASEPAN BLOCK 40"
231	0121G00555	DRAIN CHANNEL, SUCTION TUBE
421	20464901DF	DRAIN PAN-EVAP COIL

Expanded Model Nomenclature

M1 - GPG1460120M4EAA

Basepan / Blower Assembly

Image 1

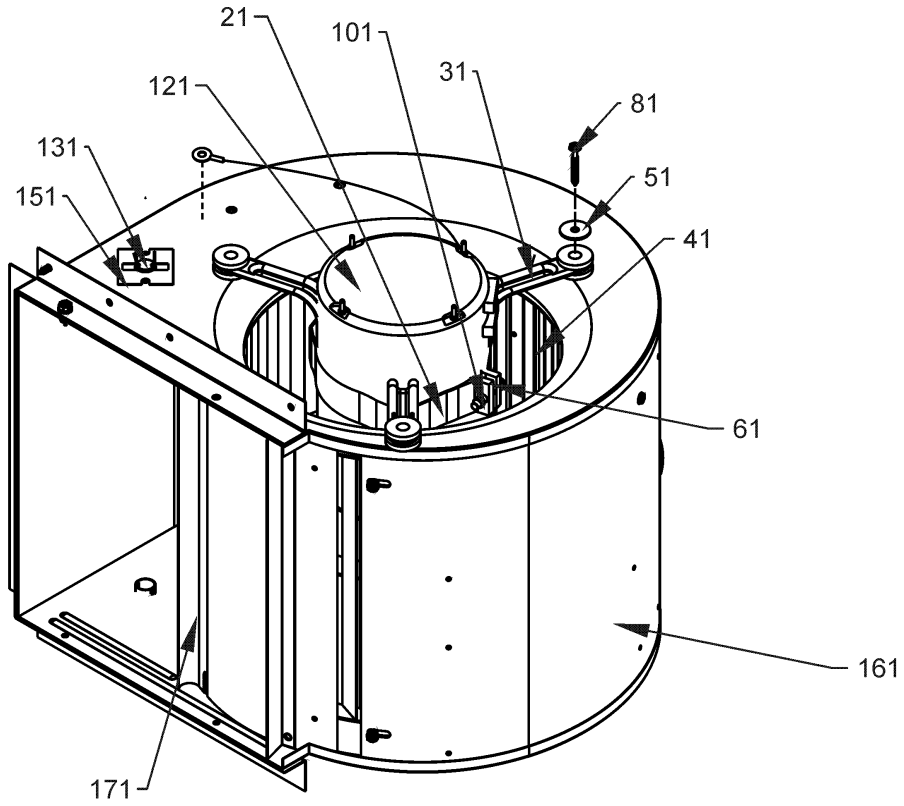
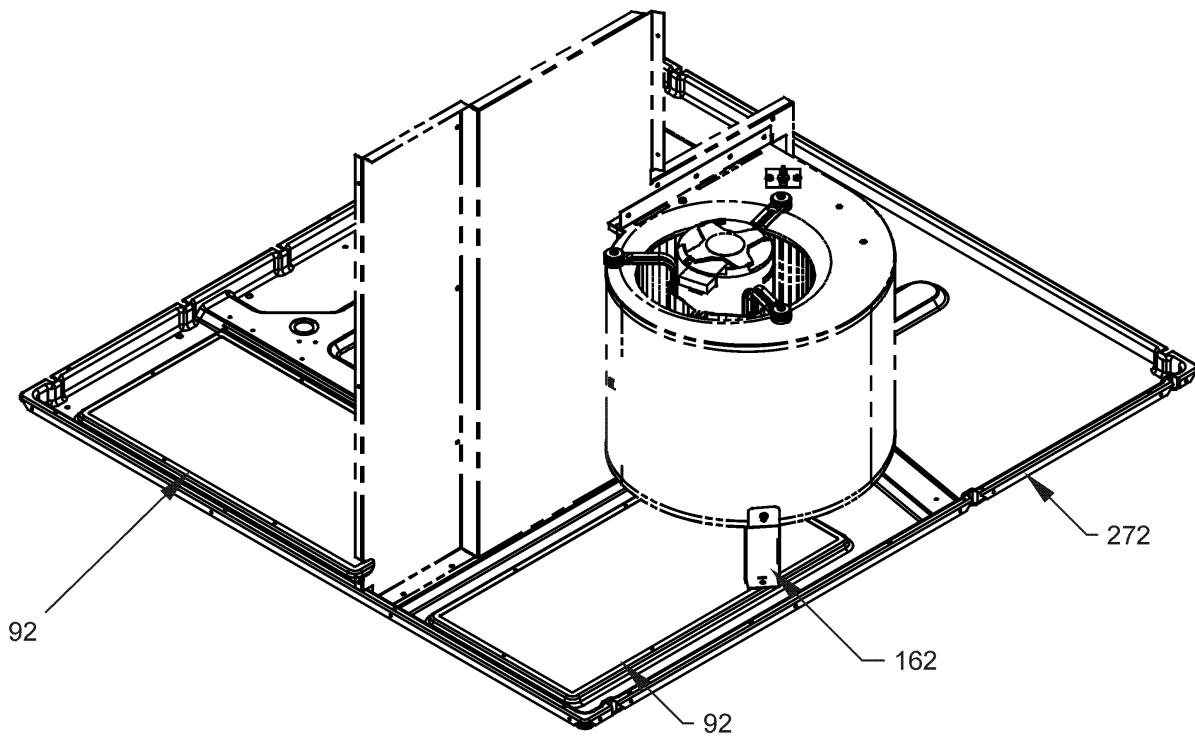


Image 2



Basepan / Blower Assembly

Ref. Part No: No:	Description:	Ref. Part No: No:	Description:
-------------------	--------------	-------------------	--------------

Image 1:

21	0121M00038	MOTOR MOUNT BAND
31	B1376857	MOTOR MOUNT ARM (QTY 3)
41	B1368000	BLOWER WHEEL 11 X 10
51	B1392918	WASHER FLAT 1/4 ID X 1 OD (QTY 3)
61	B1393323	MACHINE SCREW HWH 1/4-20 X 1-1/2 BZ
81	M0250565	TC SCREW 1.25" (QTY 3)
101	B1393800	LOCKNUT, NYLON, INSERT 1/4, 20
121	0131M00758	PROGRAMMED MOTOR
131	20269903	AUXILIARY LIMIT, AUTO RESET
151	2509503F	AUXILIARY LIMIT BRACKET
151	2509503F	AUXILIARY LIMIT BRACKET
161	2539309	BLOWER HOUSING ASSY 11 X 10
171	1864703F	BLOWER CUT-OFF

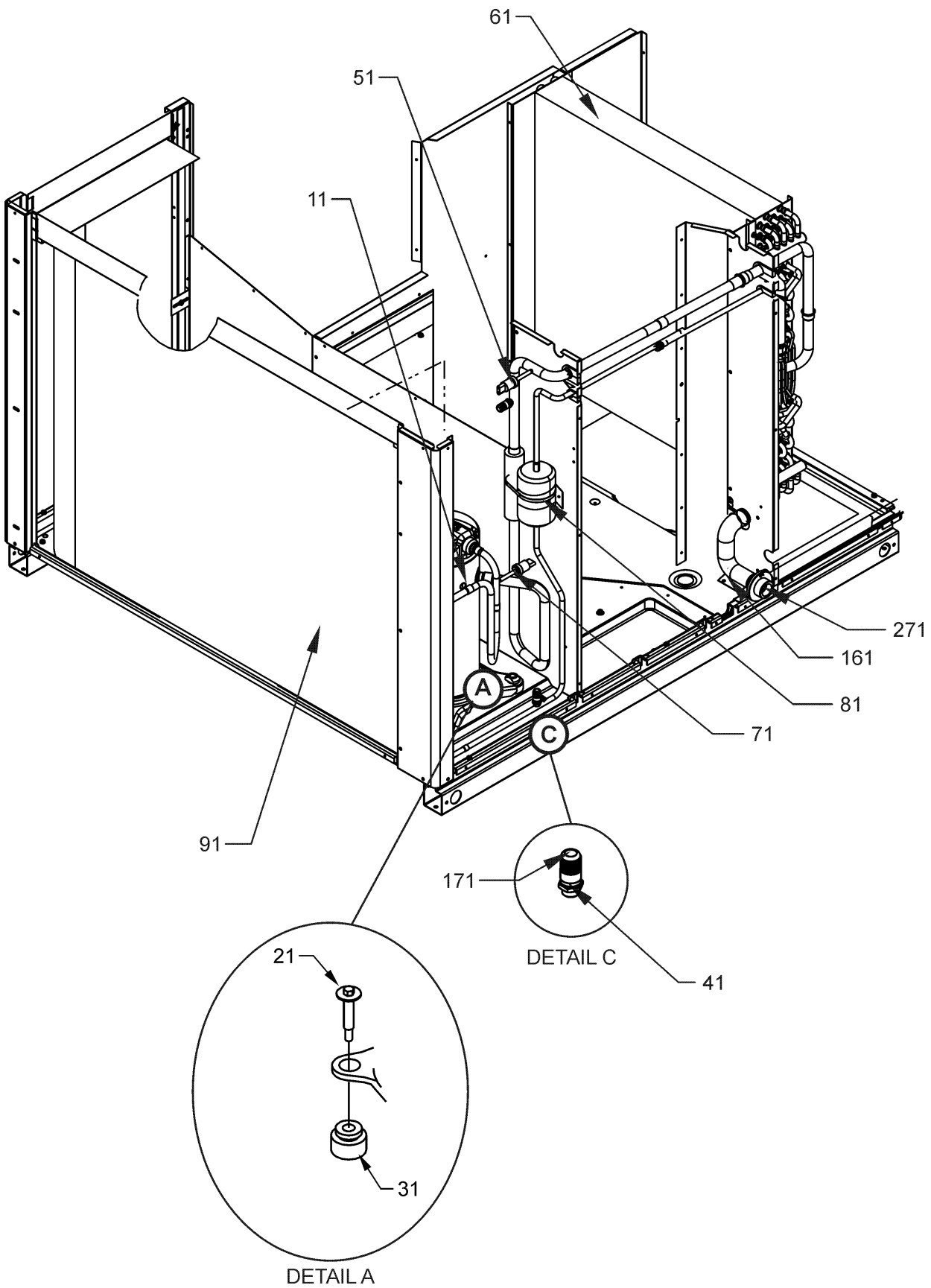
Image 2:

92	0121G00148	SINGLE COVER, DOWN DISCHARGE (QTY 2)
162	4322801	11 X 10 BLOWER SUPPORT LRG
272	0121G00444	BASEPAN, PACKAGE

Expanded Model Nomenclature

M1 - GPG1460120M4EAA

Compressor / Tubing Assembly



Compressor / Tubing Assembly

Ref. Part No: No:	Description:	Ref. Part No: No:	Description:
-------------------	--------------	-------------------	--------------

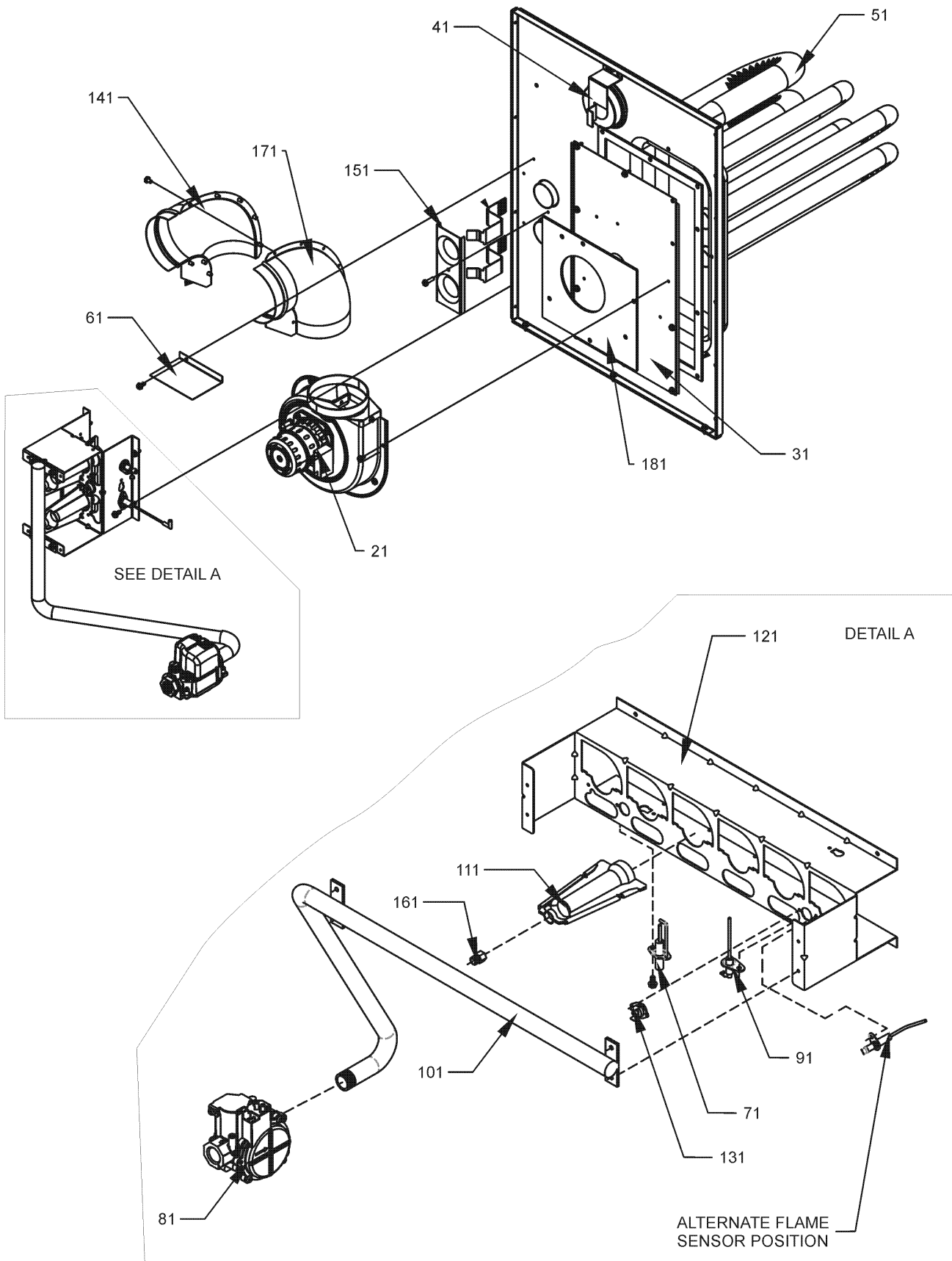
Image 1:

11	ZP61KCETFD130	COMPRESSOR 61500, 460/60/3
21	M0221641	TF SHOULDER SCREW (QTY 4)
31	B1339533	COMPRESSOR GROMMET (QTY 4)
41	B1373315	ACCESS FITTING (QTY 2)
51	0130M00087	CUT-OUT SWITCH, LOW PRESSURE
61	0202G00540	EVAPORATOR COIL ASSY
71	0130M00074	CUT-OUT SWITCH, HIGH PRESSURE
81	B1219225	SINGLE-FLOW FILTER DRIER, STEEL
91	0201G00369	COND COIL TUBING ASSY
161	20498301	DRAIN TUBE 40"
171	0163M00175	CAP WITH O-RING (QTY 2)
271	20513001	EVAP DRAIN FITTING
NS	0159G00004	COMPRESSOR SCROLL HARNESS
NS	B1488806	COMPRESSOR SOUND BLANKET
NS	B1810011	HOSE CLAMP 1.25 (QTY 2)

Expanded Model Nomenclature

M1 - GPG1460120M4EAA

Heat Exchanger / Manifold / Gas Valve



Heat Exchanger / Manifold / Gas Valve

Ref. Part No:	No:	Description:	Ref. Part No:	No:	Description:
<i>Image 1:</i>					
21	0131G00090	BLOWER-ID, 50HZ			
31	0121G00604	PLATE-ID BLWR			
41	11112501	PRESSURE SWITCH			
51	20490718	ASSY, PART/TUBE			
61	11190202	HEAT DEFLECTOR			
71	0130F00014	IGNITOR			
81	0151F00000P	GAS VALVE - WHITE-RODGERS 2-STAGE			
91	0130F00010	FLAME SENSOR			
101	20493107	MANIFOLD - 6 BRNR			
111	0163F00017	BECKETT BURNER (QTY 6)			
121	0121F00145	BURNER BRACKET 6B			
131	10123529	MANUAL RESET LIMIT-GREEN			
141	20484402	FLUE ELBOW RIGHT			
151	11072205	ORIFICE SHIELD			
161	10716005	ORIFICE (QTY 6)			
171	20484401	FLUE ELBOW LEFT			
181	20463001	ID BLOWER PLATE GASKET LRG			

Expanded Model Nomenclature

M1 - GPG1460120M4EAA

Control Panel

Ref. Part No: No:	Description:	Ref. Part No: No:	Description:
-------------------	--------------	-------------------	--------------

Image 1:

21	0130M00081	TRANSFORMER, 380/415V-24V,72VA
31	0130M00080	TRANSFORMER, 380/420V-230V,150VA
41	CONT3P040024V	CONTACTOR 40 AMP, 3P, 24V
91	PCBAG127	IGNITION BOARD, DSI, 2 STG
111	CAP075000370LA	CAPACITOR 7.5/370V
141	10728343	LIMIT SWITCH
161	20520901	CAPACITOR STRAP
NS	0259G00192	WIRE HARNESS 6 CIRCUIT
NS	0259G00229	WIRE HARNESS FAN
NS	0259G00044	WIRE HARNESS, 9 CIRCUIT
NS	0259G00031	WIRE HARNESS, ECONOMIZER

Expanded Model Nomenclature

M1 - GPG1460120M4EAA